



US00D854399S

(12) **United States Design Patent**  
**Winter**

(10) **Patent No.:** **US D854,399 S**  
(45) **Date of Patent:** **\*\* Jul. 23, 2019**

(54) **LEDGER**

(71) Applicant: **Roger Winter**, St. John, IN (US)

(72) Inventor: **Roger Winter**, St. John, IN (US)

(\*\*) Term: **15 Years**

(21) Appl. No.: **29/633,478**

(22) Filed: **Jan. 14, 2018**

(51) **LOC (11) Cl.** ..... **08-08**

(52) **U.S. Cl.**  
USPC ..... **D8/349**

(58) **Field of Classification Search**  
USPC .... D6/672, 684, 680, 683.1, 703.5; D8/349,  
D8/354, 355, 330, 331, 333, 380, 382;  
(Continued)

(56) **References Cited**

U.S. PATENT DOCUMENTS

3,712,005 A 1/1973 Eschbach et al.  
4,858,406 A \* 8/1989 Lane ..... E04D 3/405  
52/300

(Continued)

OTHER PUBLICATIONS

Simpson Strong-Tie Company Inc., Simpson Strong-Tie Wood Construction Connectors HU/HUC/HSUR/L, Hangers; pp. 279-281, Mar. 8, 2017.

(Continued)

*Primary Examiner* — Mark A Goodwin  
*Assistant Examiner* — Benjamin M Weeks  
(74) *Attorney, Agent, or Firm* — McDonnell Boehnen Hulbert & Berghoff LLP

(57) **CLAIM**

The ornamental design for a ledger, as shown and described.

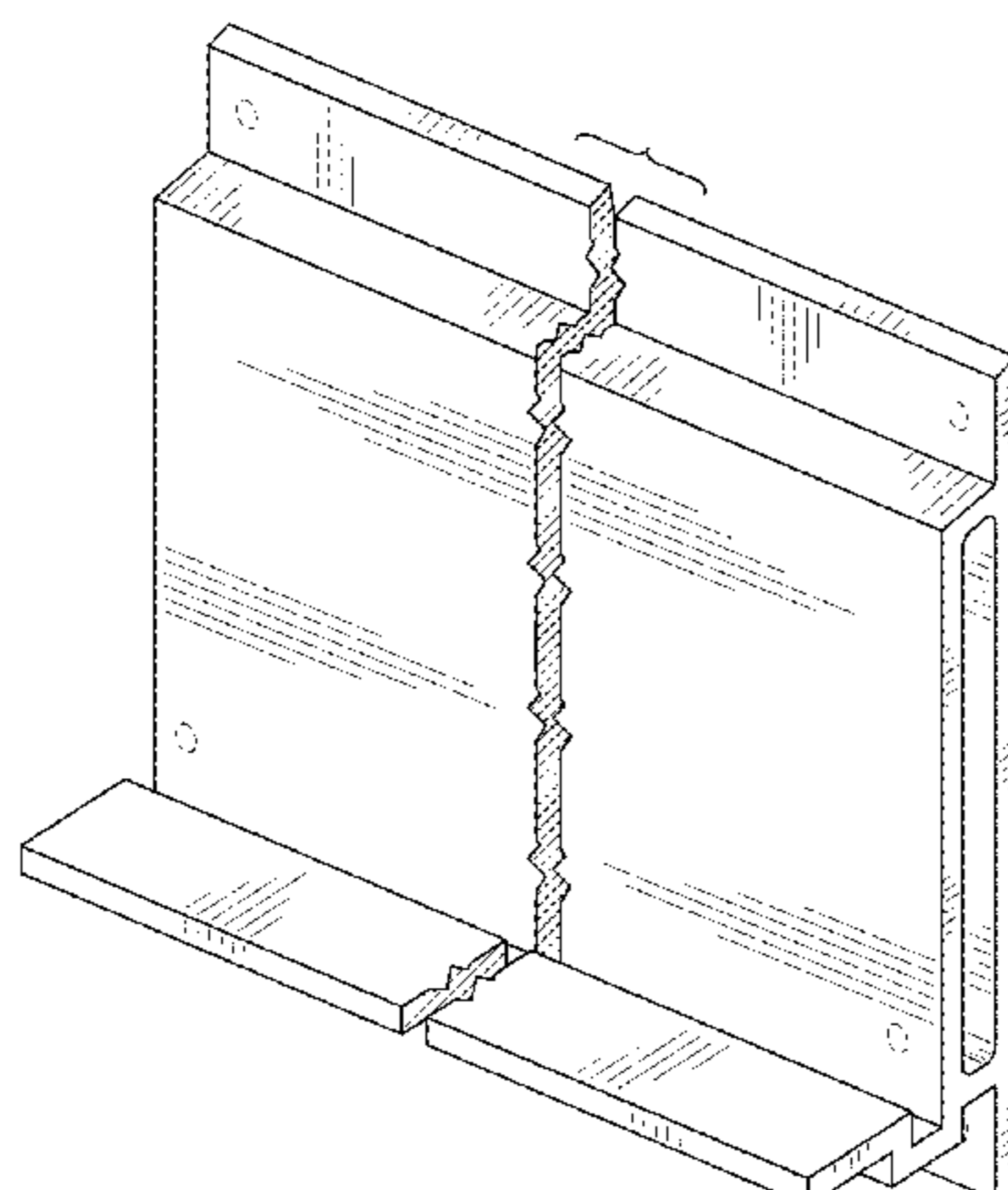
**DESCRIPTION**

FIG. 1 is a perspective view of a first embodiment of a ledger in accordance with the present invention;

FIG. 2 is a front elevational view of the ledger shown in FIG. 1;  
FIG. 3 is a back elevational view of the ledger shown in FIG. 1;  
FIG. 4 is a right side elevational view of the ledger in FIG. 1;  
FIG. 5 is a left side elevational view of the ledger shown in FIG. 1;  
FIG. 6 is a top view of the ledger shown in FIG. 1; and  
FIG. 7 is a bottom view of the ledger shown in FIG. 1.  
FIG. 8 is a perspective view of a second embodiment of a ledger in accordance with the present invention;  
FIG. 9 is a front elevational view of the ledger shown in FIG. 8;  
FIG. 10 is a back elevational view of the ledger shown in FIG. 8;  
FIG. 11 is a right side elevational view of the ledger in FIG. 8;  
FIG. 12 is a left side elevational view of the ledger shown in FIG. 8;  
FIG. 13 is a top view of the ledger shown in FIG. 8; and  
FIG. 14 is a bottom view of the ledger shown in FIG. 8.  
FIG. 15 is a perspective view of a third embodiment of a ledger in accordance with the present invention;  
FIG. 16 is a front elevational view of the ledger shown in FIG. 15;  
FIG. 17 is a back elevational view of the ledger shown in FIG. 15;  
FIG. 18 is a right side elevational view of the ledger in FIG. 15;  
FIG. 19 is a left side elevational view of the ledger shown in FIG. 15;  
FIG. 20 is a top view of the ledger shown in FIG. 15; and,  
FIG. 21 is a bottom view of the ledger shown in FIG. 15.  
The dashed broken lines show portions of the ledger form no part of the claimed design.  
The shade lines in the figures show contour and not surface ornamentation.

The ledger is shown in FIG. 1 to FIG. 3, FIG. 6 to FIG. 10, FIG. 13 to FIG. 17, FIG. 20, and FIG. 21 with jagged lines and a bracket to represent indeterminate length. The appear-

(Continued)



ance of any portion of the article between the jagged lines and the bracket form no part of the claimed design.

**1 Claim, 14 Drawing Sheets**

**(58) Field of Classification Search**

USPC ..... D13/154, 133, 129, 199; D22/125; D25/119, 164, 199, 139, 141; D26/138, D26/76, 78, 79, 80  
CPC .. F16C 2314/72; F16C 29/0623; F16C 29/06; F16C 29/0609; F16C 29/005; F16C 29/008; F16C 29/04; F16C 29/0657; F16C 29/004; F16C 29/12; A47B 1/10; A47B 88/493; A47B 88/423; A47B 2088/4235; B44C 5/02

See application file for complete search history.

**(56) References Cited**

**U.S. PATENT DOCUMENTS**

5,927,023 A \* 7/1999 Kittilstad ..... E04D 13/155 52/60  
D423,325 S 4/2000 Liss

6,378,917 B1 \* 4/2002 Jones ..... E05C 19/184 16/82  
D477,210 S \* 7/2003 Callahan ..... D8/349  
6,668,502 B2 12/2003 Béliveau  
6,694,686 B2 2/2004 Ready et al.  
6,845,590 B1 \* 1/2005 Mills, Jr. .... E04D 13/155 52/60  
9,151,058 B1 10/2015 Leathe  
9,194,118 B2 11/2015 Spyrou  
D765,492 S \* 9/2016 Akers ..... D8/354  
9,565,939 B2 \* 2/2017 Brock ..... A47B 88/493  
9,714,670 B2 \* 7/2017 Header ..... E04D 13/10  
D809,674 S \* 2/2018 Singh ..... D25/119  
D814,056 S \* 3/2018 Singh ..... D25/119  
D817,518 S \* 5/2018 Singh ..... D25/119  
D825,315 S \* 8/2018 Inzeo ..... D8/349  
D834,729 S \* 11/2018 Lee ..... D25/119

**OTHER PUBLICATIONS**

U.S. Appl. No. 15/870,997, inventor Roger Winter, filed Jan. 14, 2018.

\* cited by examiner

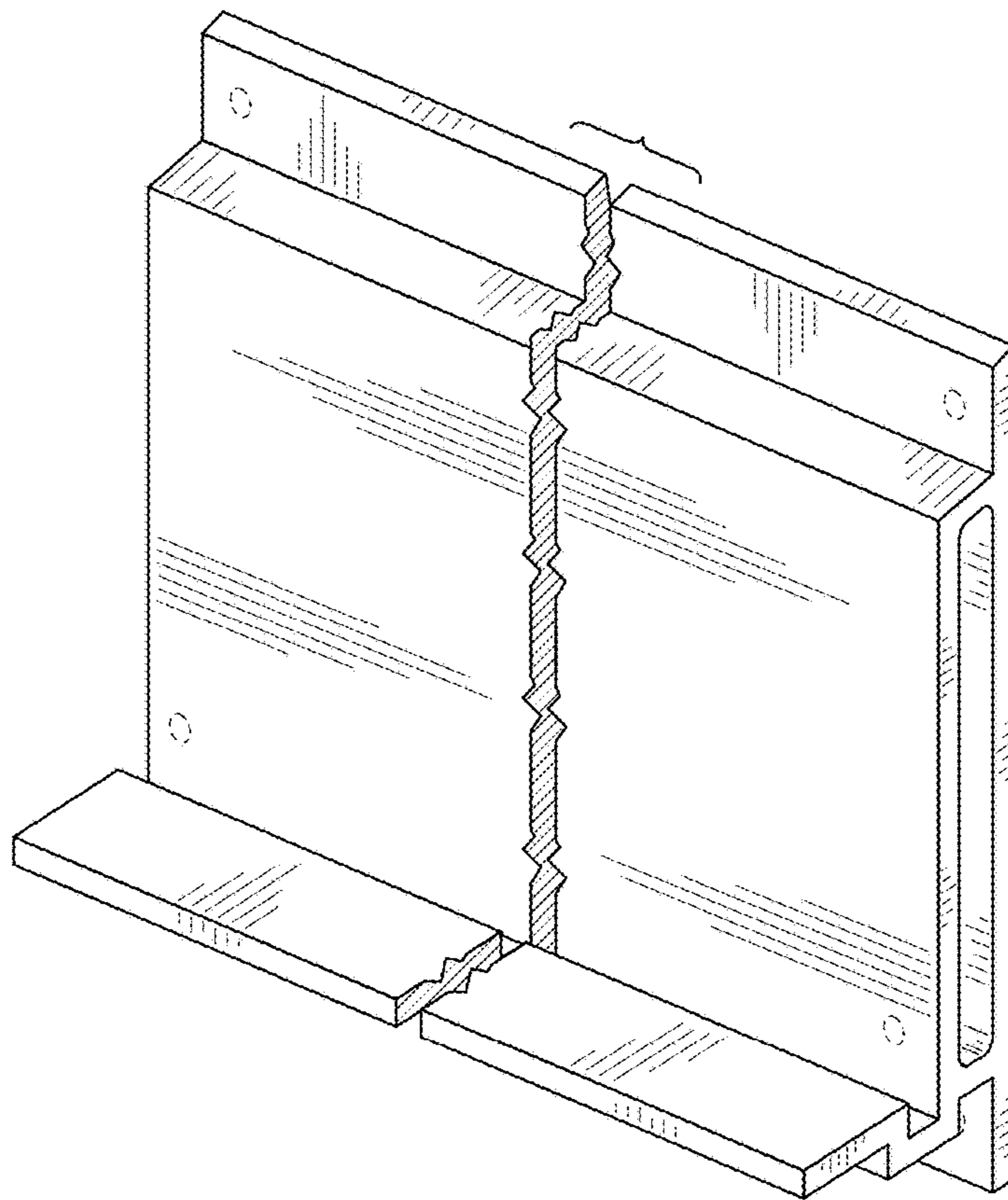


FIG. 1

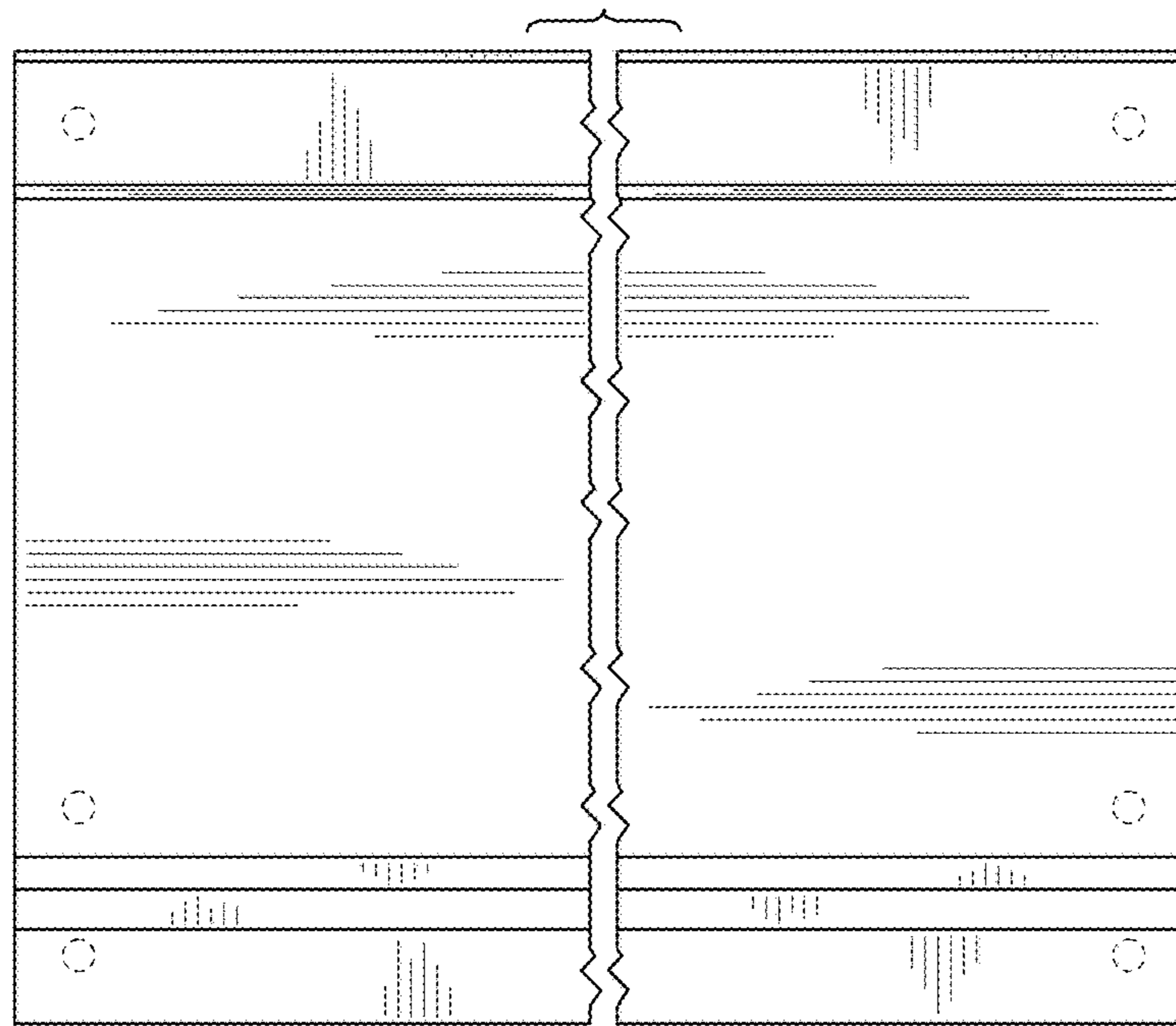


FIG. 2

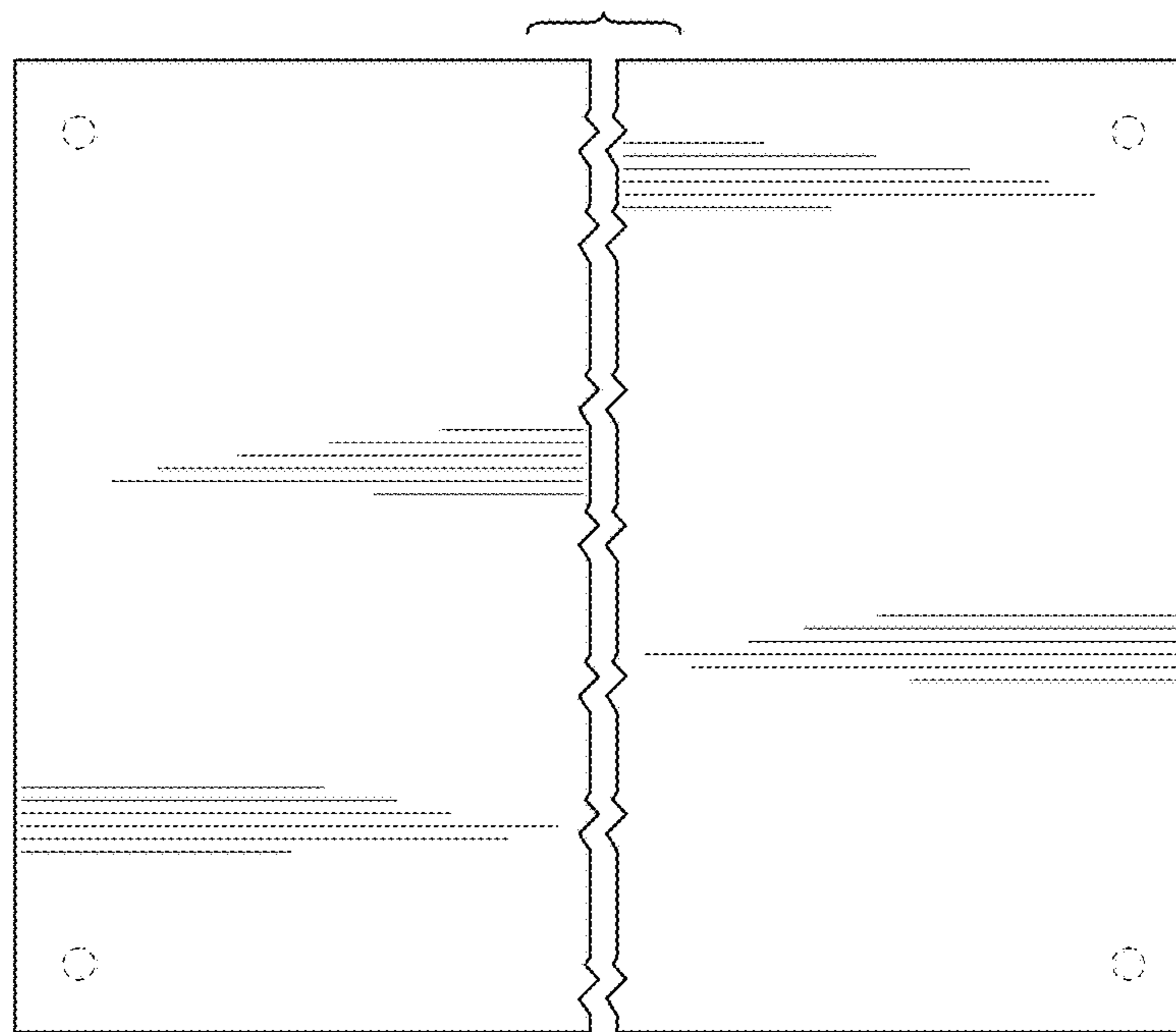


FIG. 3

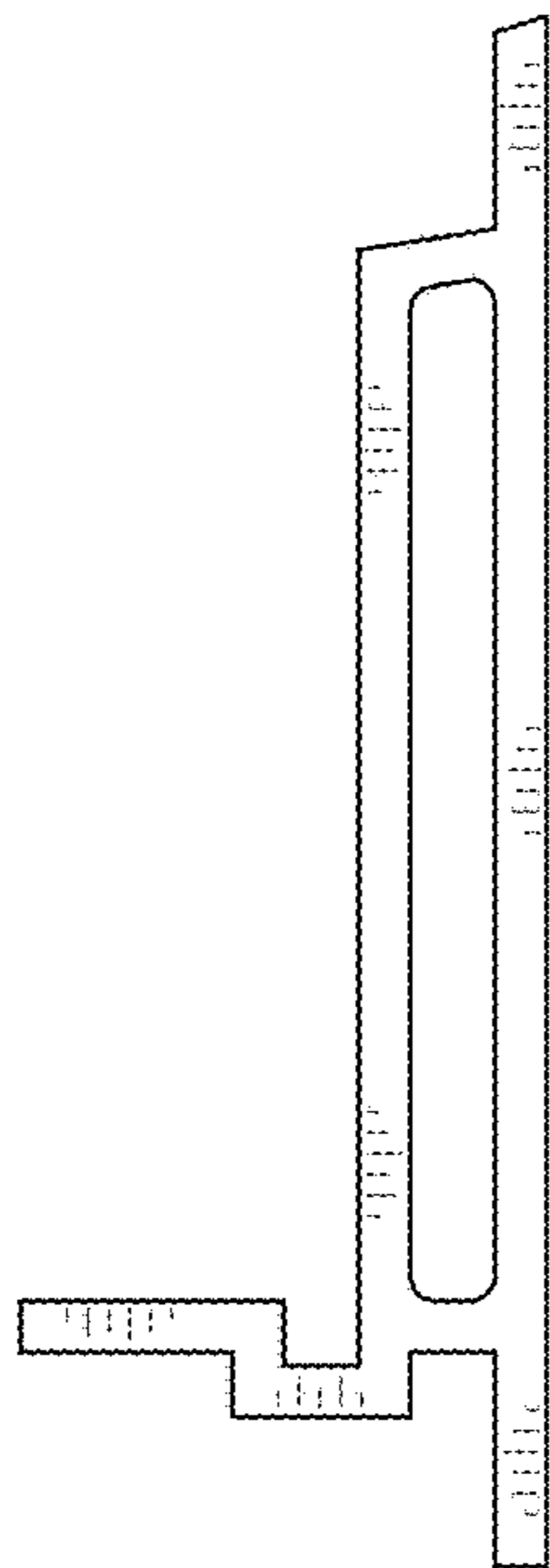


FIG. 4

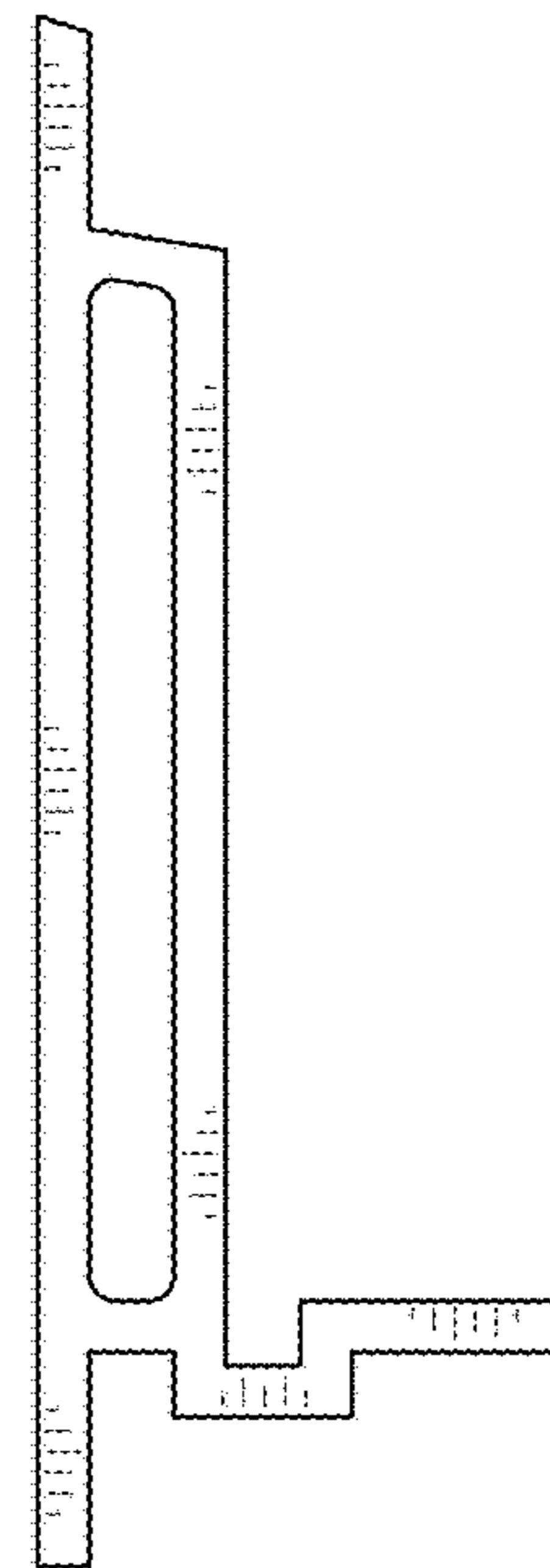


FIG. 5

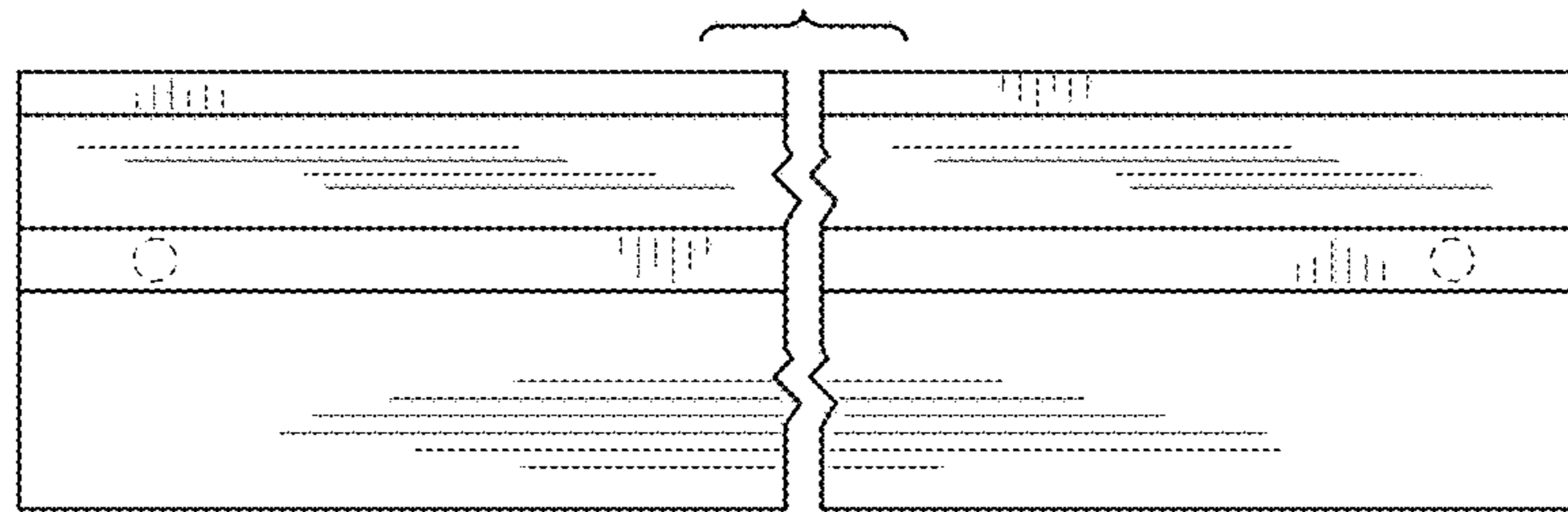


FIG. 6

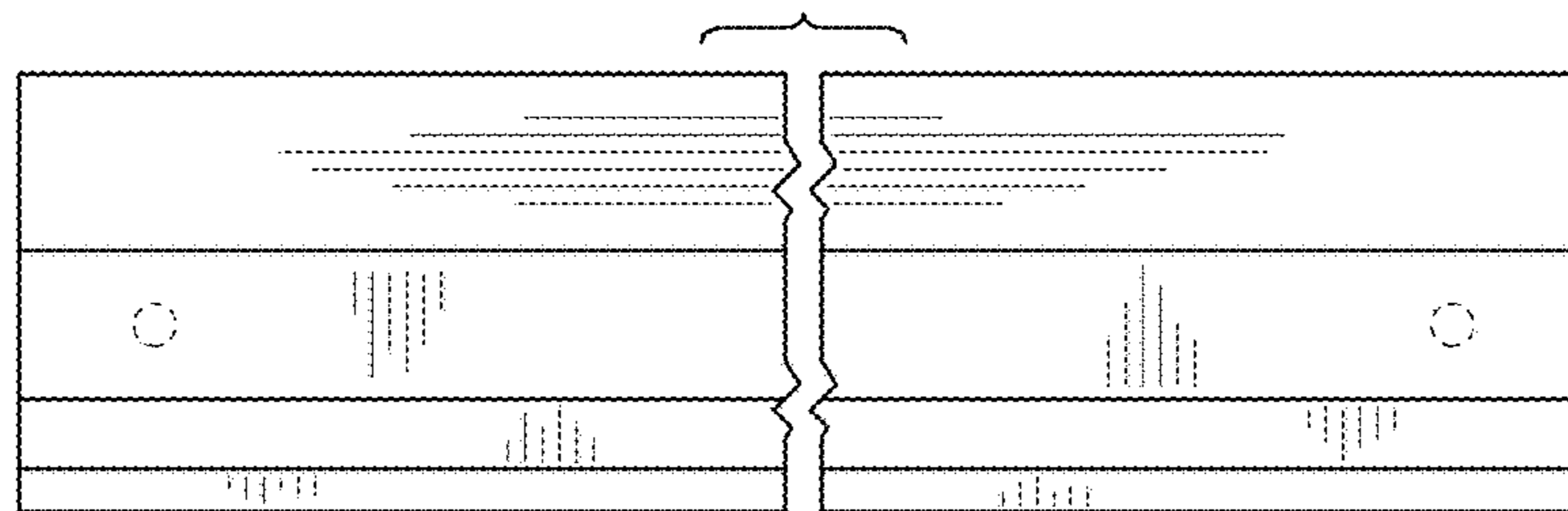


FIG. 7

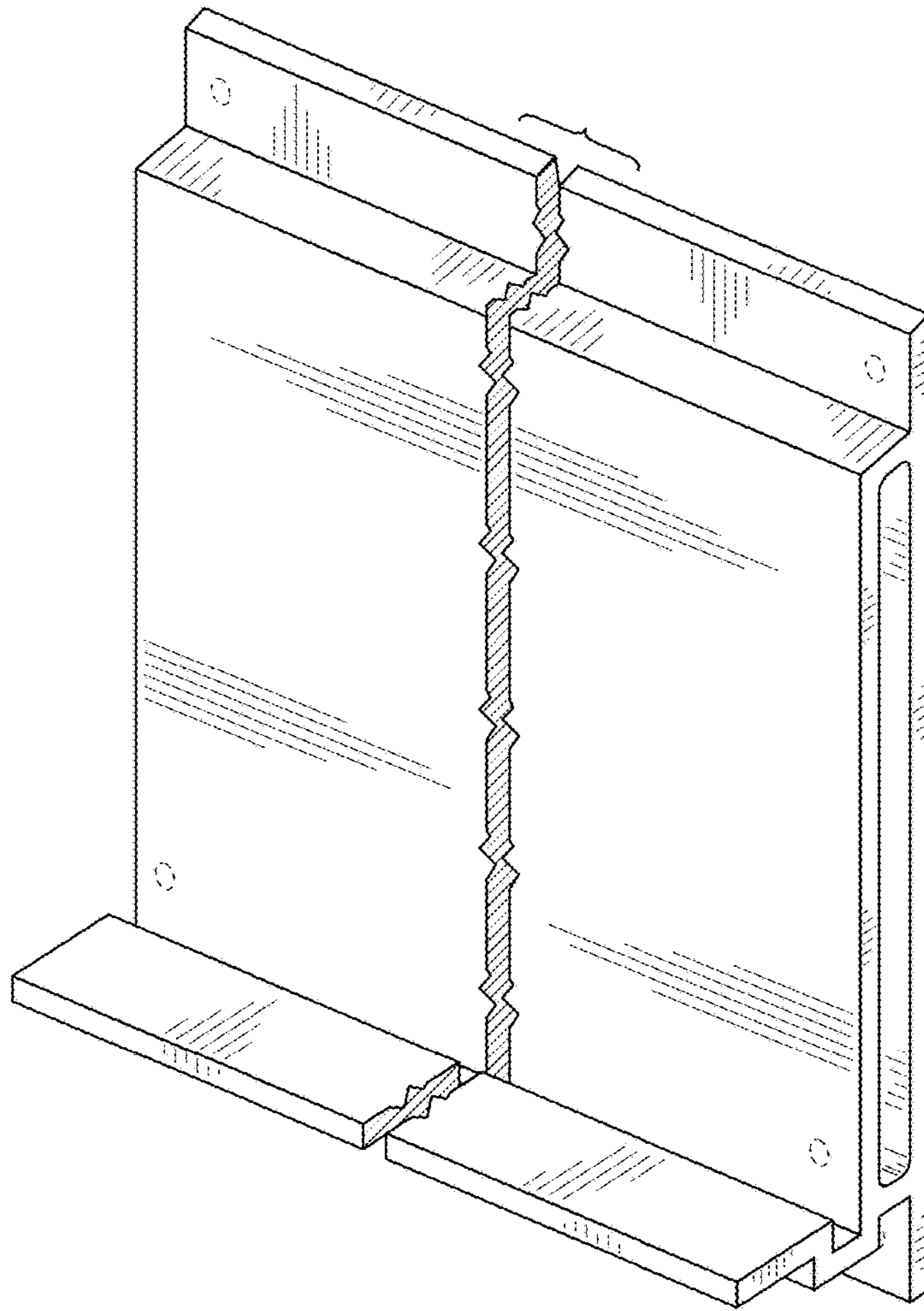


FIG. 8

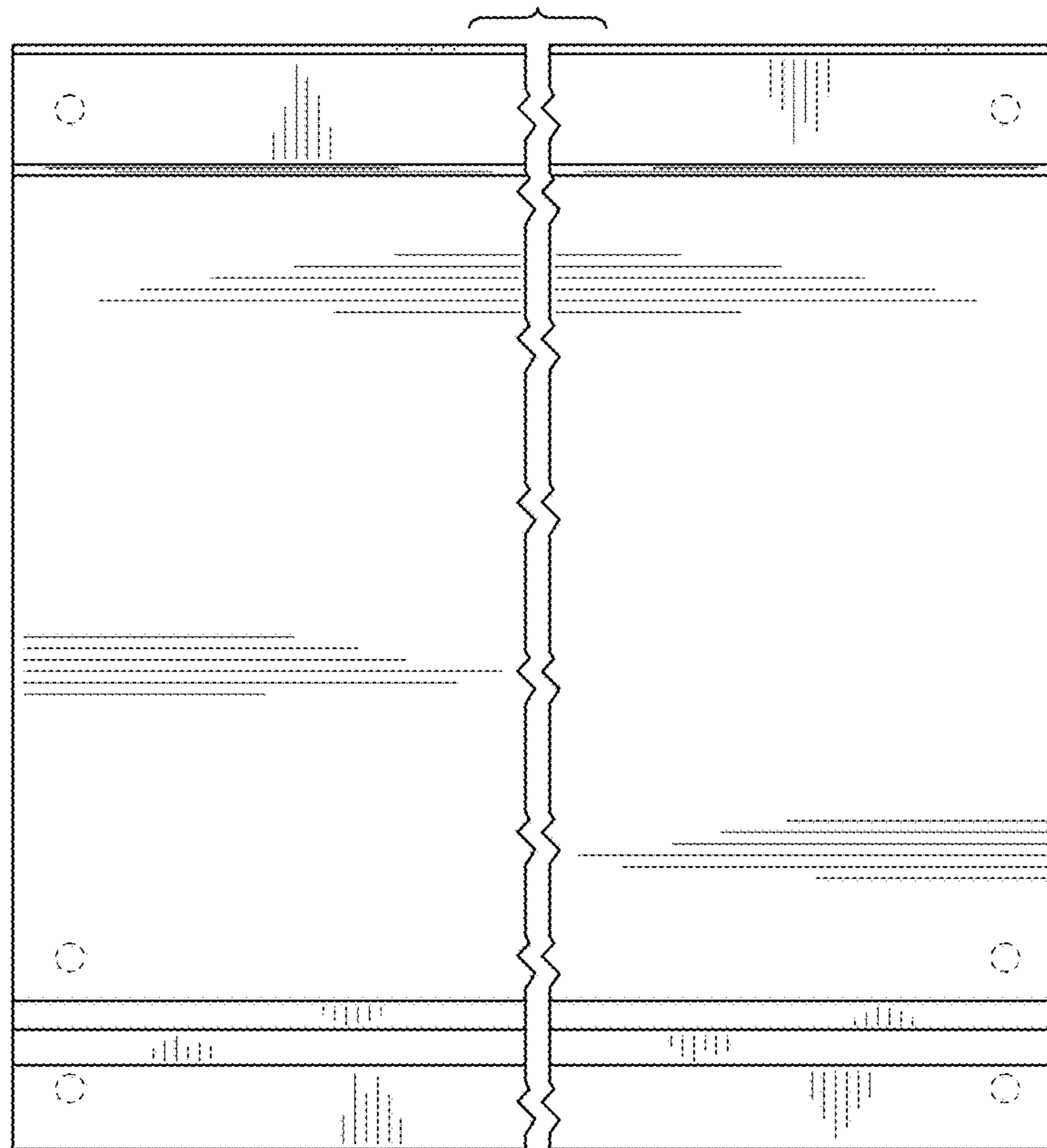


FIG. 9



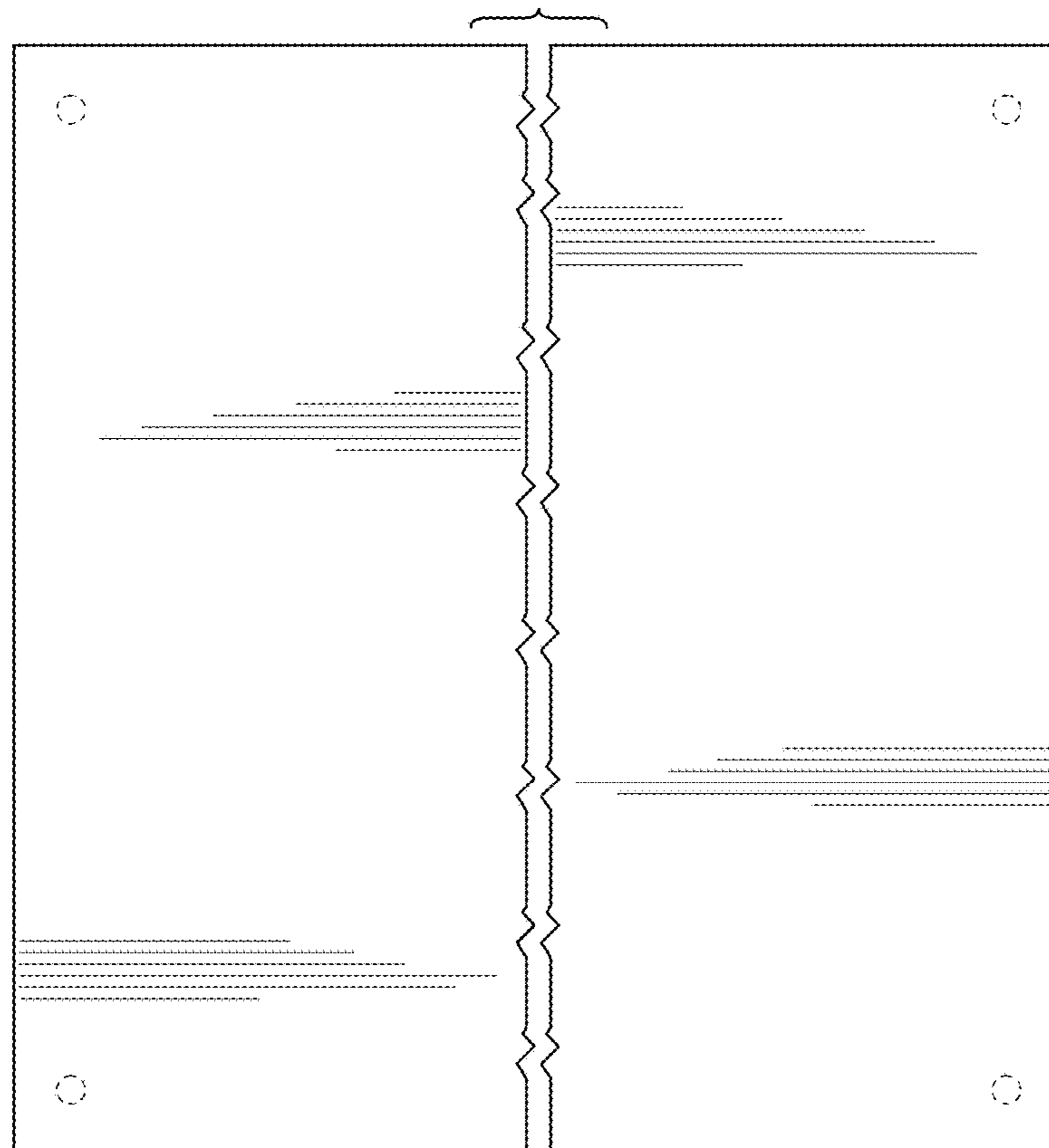


FIG. 10

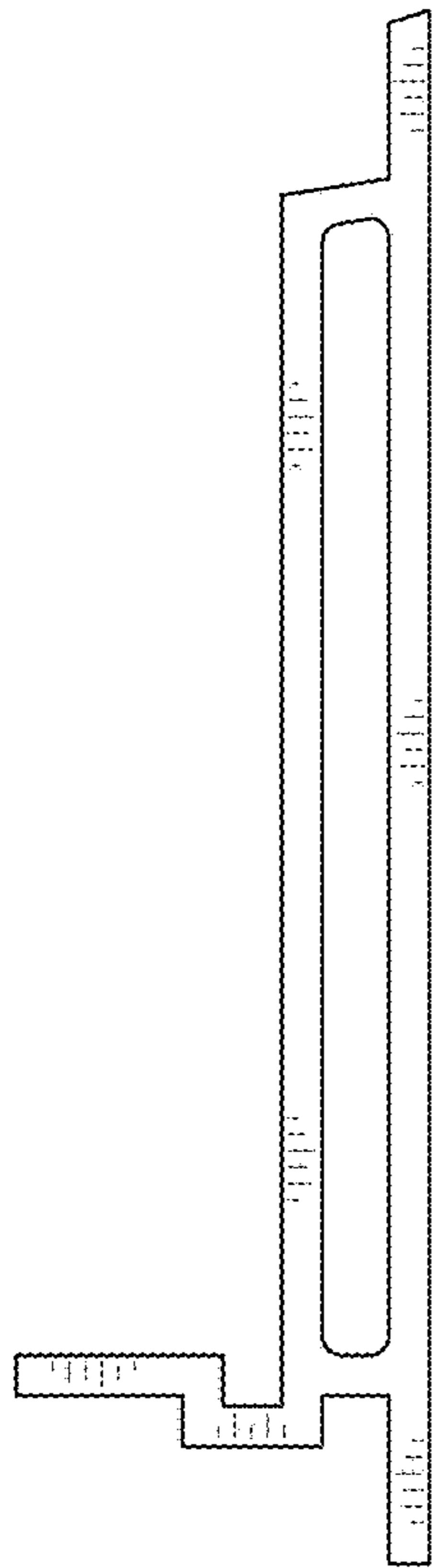


FIG. 11

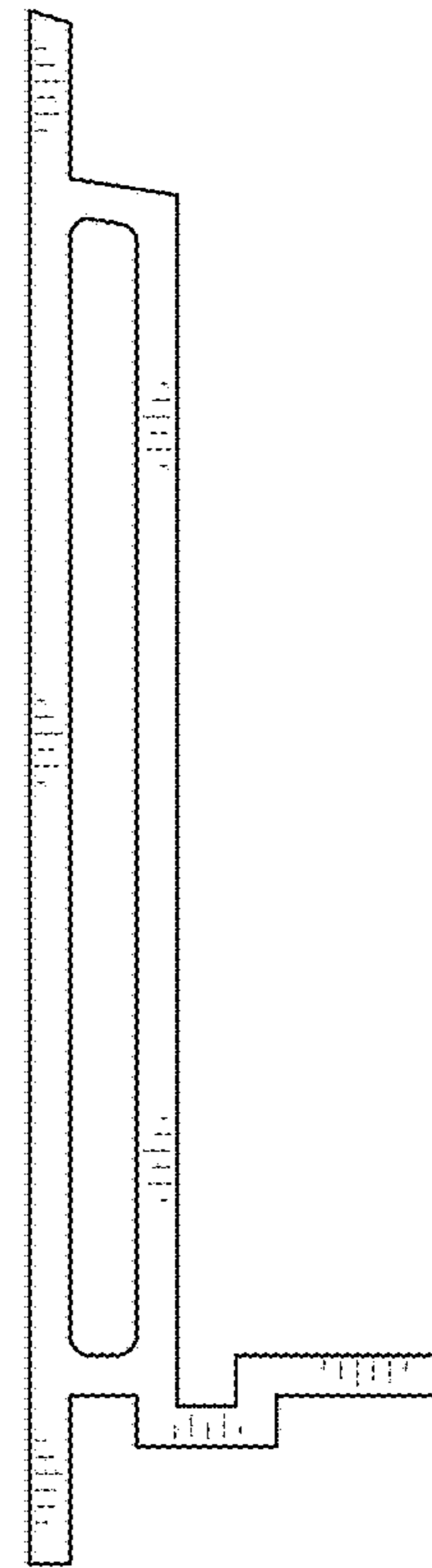


FIG. 12

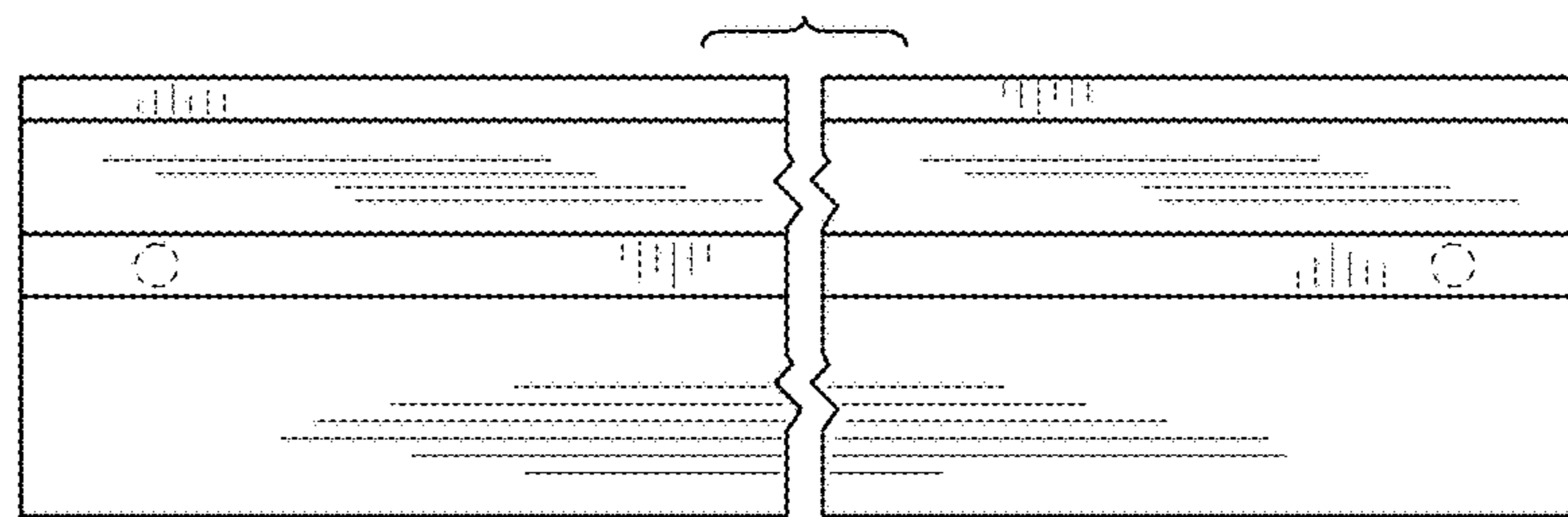


FIG. 13

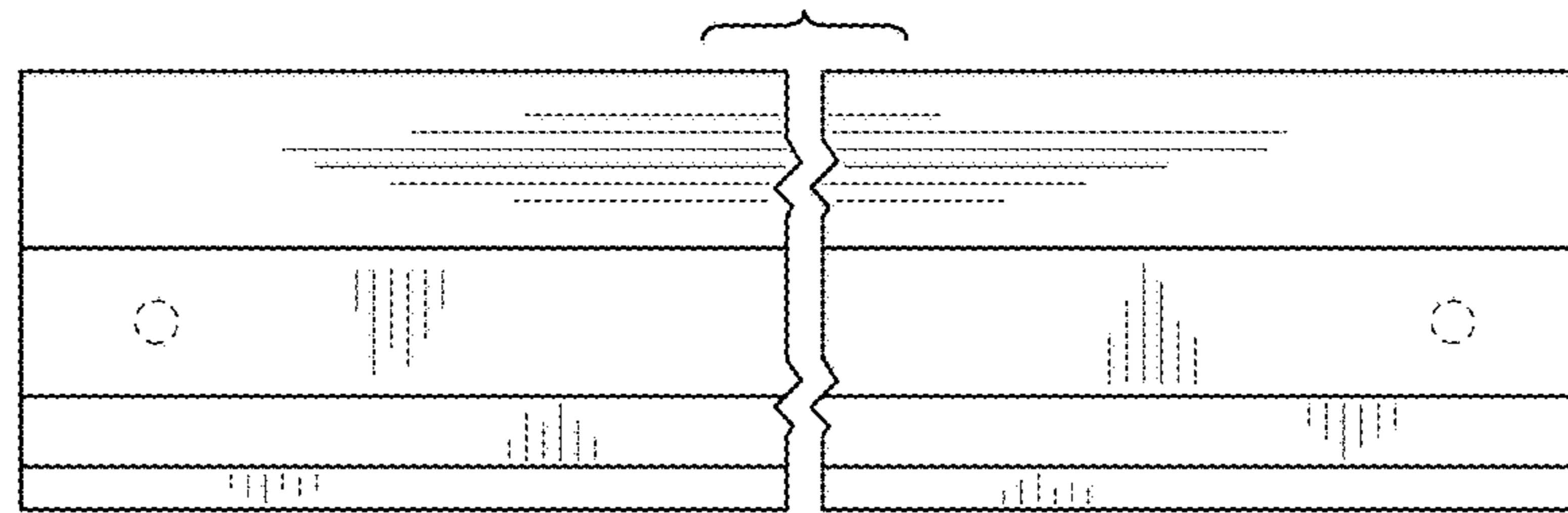


FIG. 14

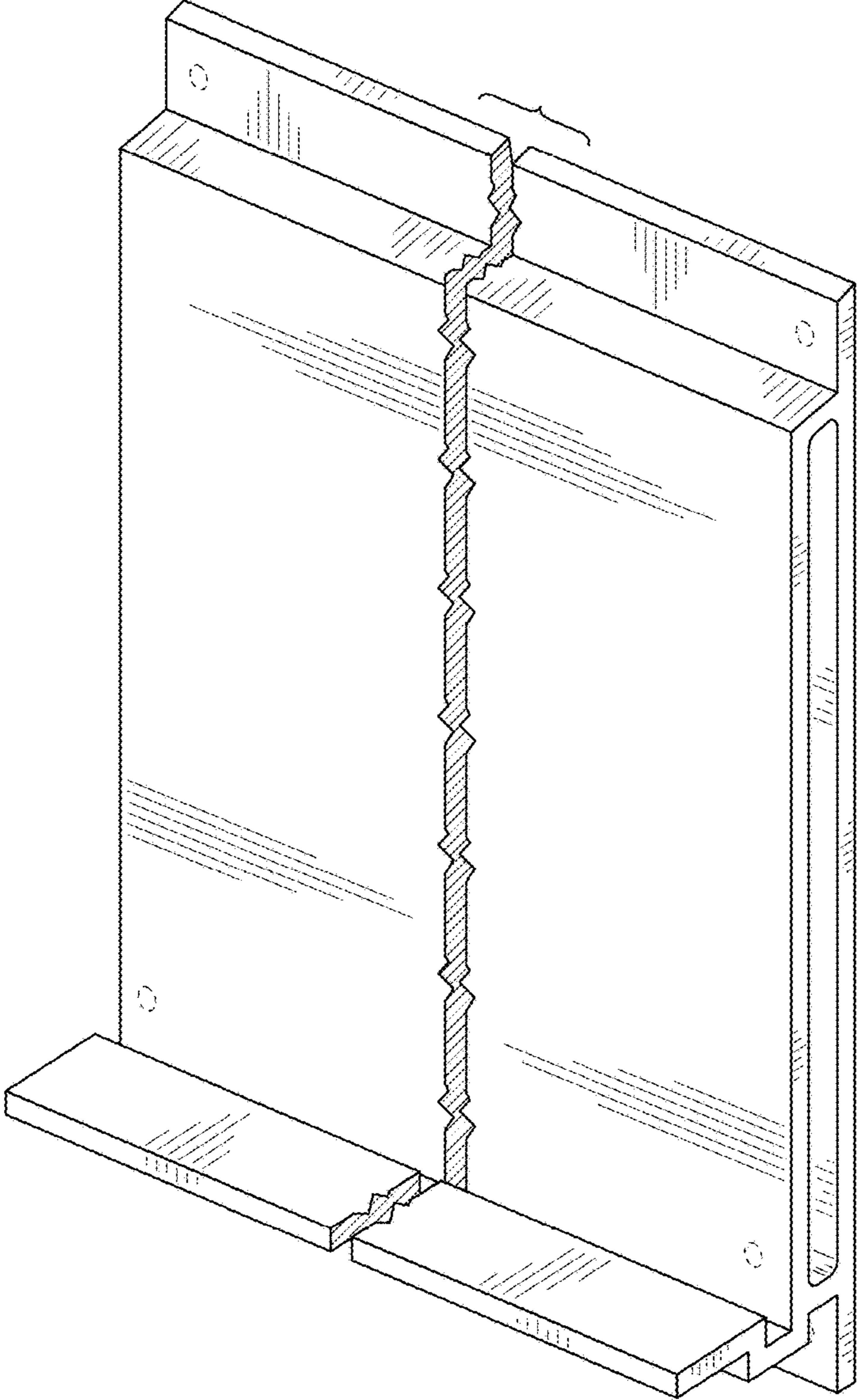


FIG. 15

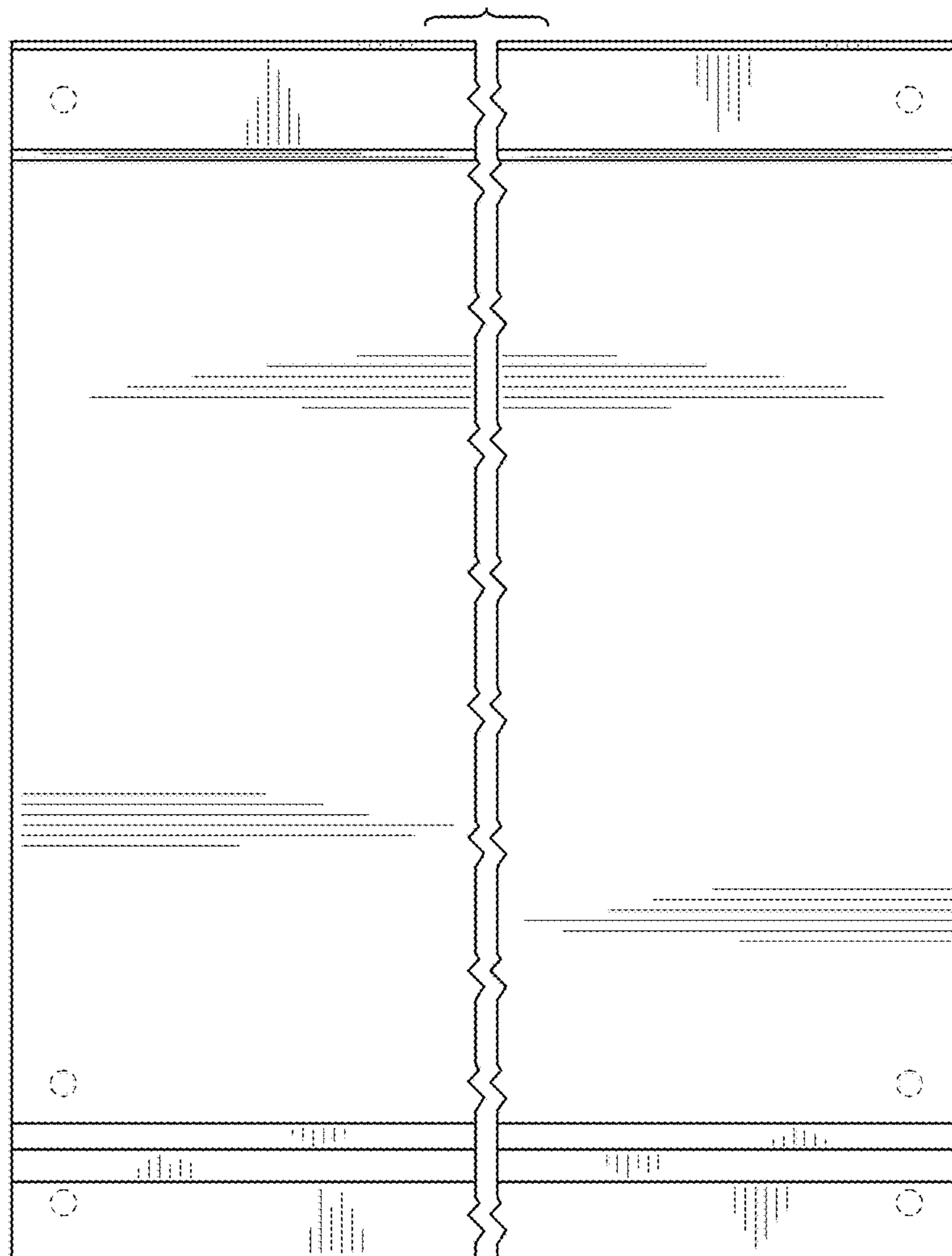


FIG. 16

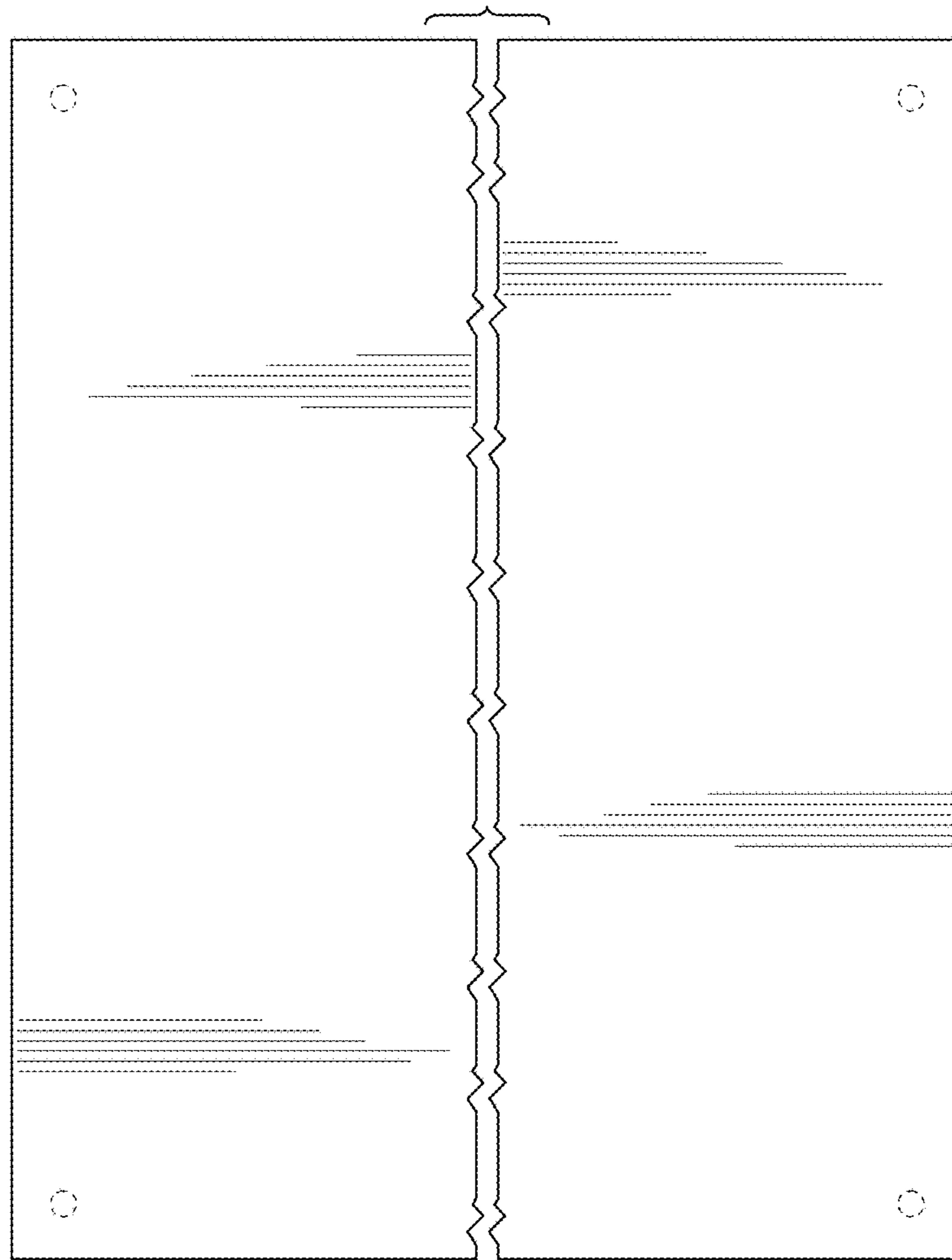


FIG. 17

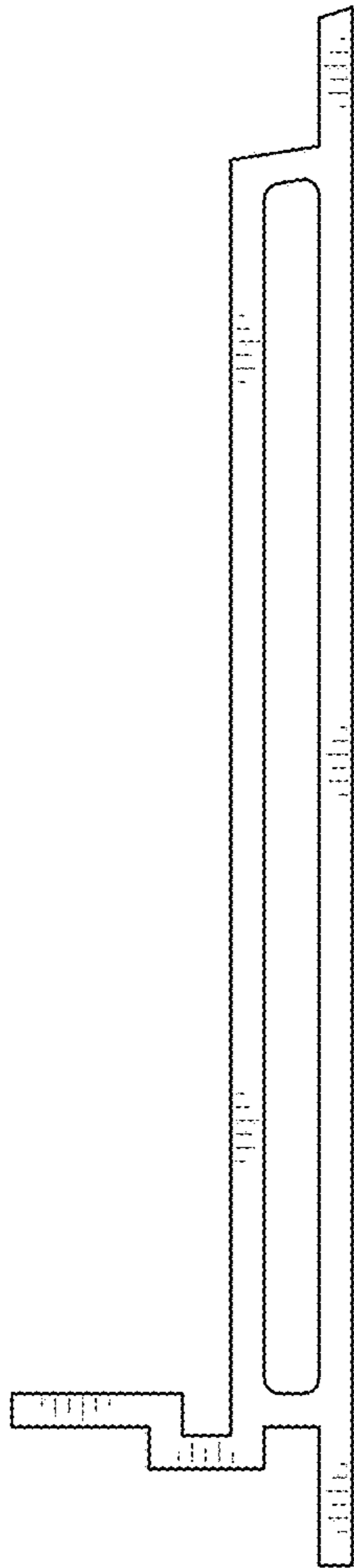


FIG. 18

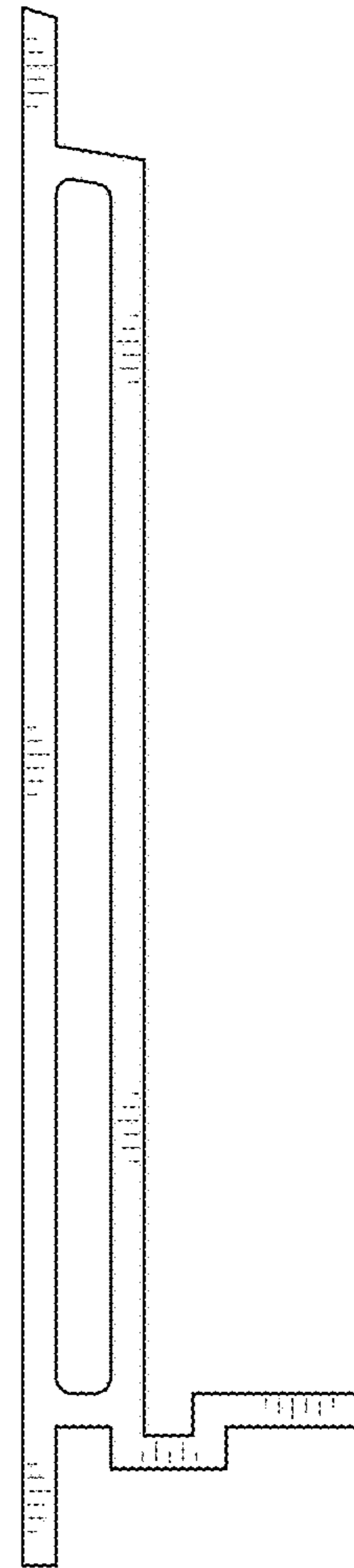


FIG. 19

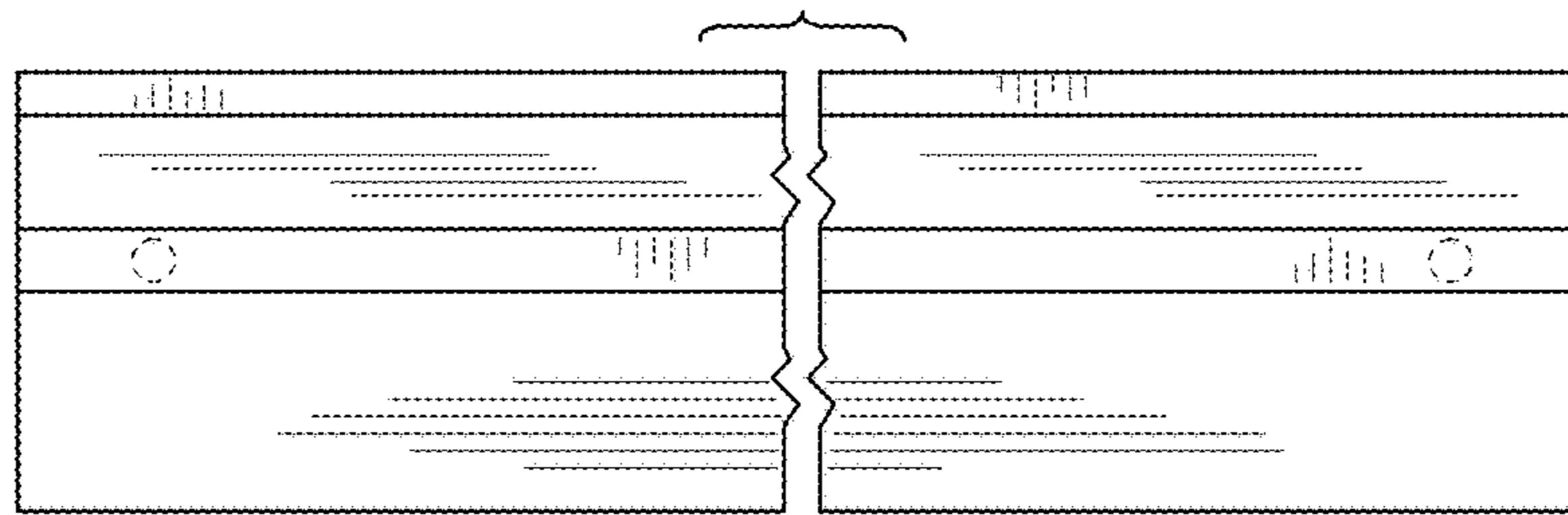


FIG. 20

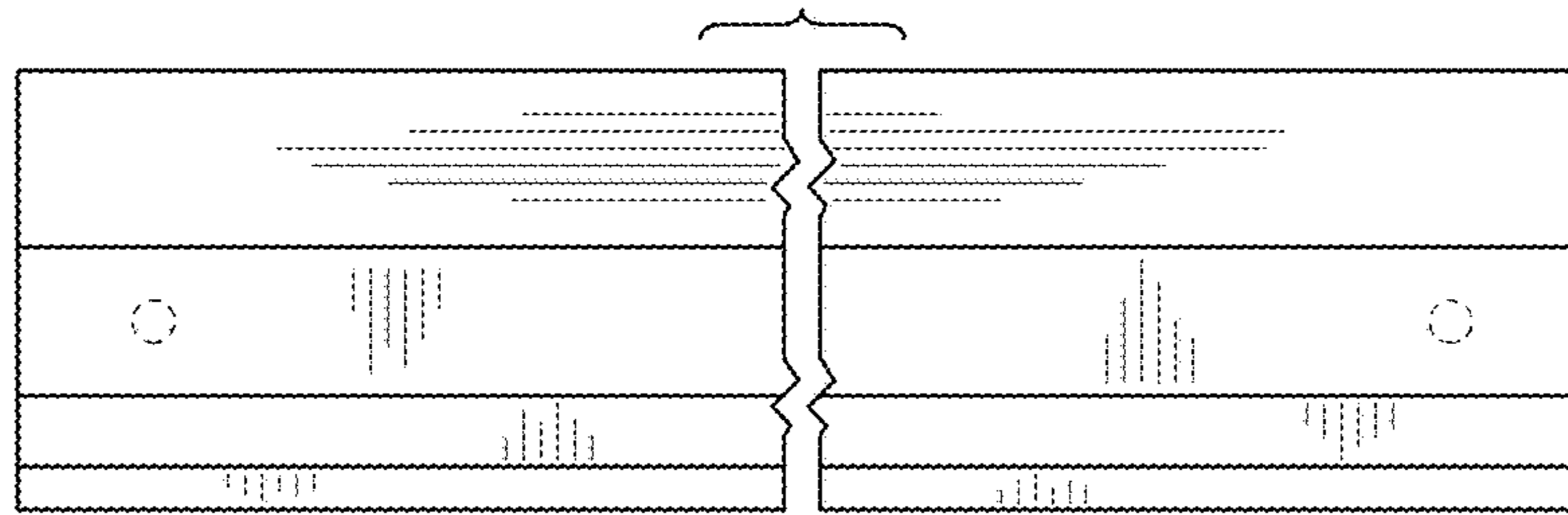


FIG. 21