



US00D854397S

(12) **United States Design Patent**
Hammerle

(10) **Patent No.:** **US D854,397 S**

(45) **Date of Patent:** **** Jul. 23, 2019**

(54) **FITTING FOR FURNITURE**
(71) Applicant: **JULIUS BLUM GMBH**, Höchst (AT)
(72) Inventor: **Hermann Hammerle**, Lustenau (AT)
(73) Assignee: **Julius Blum GmbH**, Hoechst (AT)
(**) Term: **15 Years**

D644,499 S * 9/2011 Herglotz D8/327
D649,429 S * 11/2011 Granberry D8/323
D653,097 S * 1/2012 Hatano D8/328
8,938,853 B2 * 1/2015 Zhang G06F 1/1681
16/250
D726,525 S * 4/2015 Kenerly D8/328
D748,450 S * 2/2016 Ganter D8/323
9,290,974 B2 * 3/2016 Alexander E05D 3/122
9,428,946 B2 * 8/2016 Martinez Garcia E05D 3/122
2019/0003225 A1 * 1/2019 Batistakis E05D 11/0054

(21) Appl. No.: **35/504,889**

* cited by examiner

(22) Filed: **Nov. 7, 2017**

Primary Examiner — Deanna L Pratt

(80) **Hague Agreement Data**

Int. Filing Date: **Nov. 7, 2017**
Int. Reg. No.: **DM/098545**
Int. Reg. Date: **Nov. 7, 2017**
Int. Reg. Pub. Date: **May 11, 2018**

(74) *Attorney, Agent, or Firm* — Wenderoth, Lind & Ponack, L.L.P.

(30) **Foreign Application Priority Data**

May 9, 2017 (EM) 003991371-0007

(51) **LOC (11) Cl.** **08-06**

(52) **U.S. Cl.**
USPC **D8/328**

(58) **Field of Classification Search**
USPC D8/323, 327-329
CPC Y10T 16/52; Y10T 16/533; Y10T 16/559
See application file for complete search history.

(57) **CLAIM**

The ornamental design for a fitting for furniture, as shown and described.

(56) **References Cited**

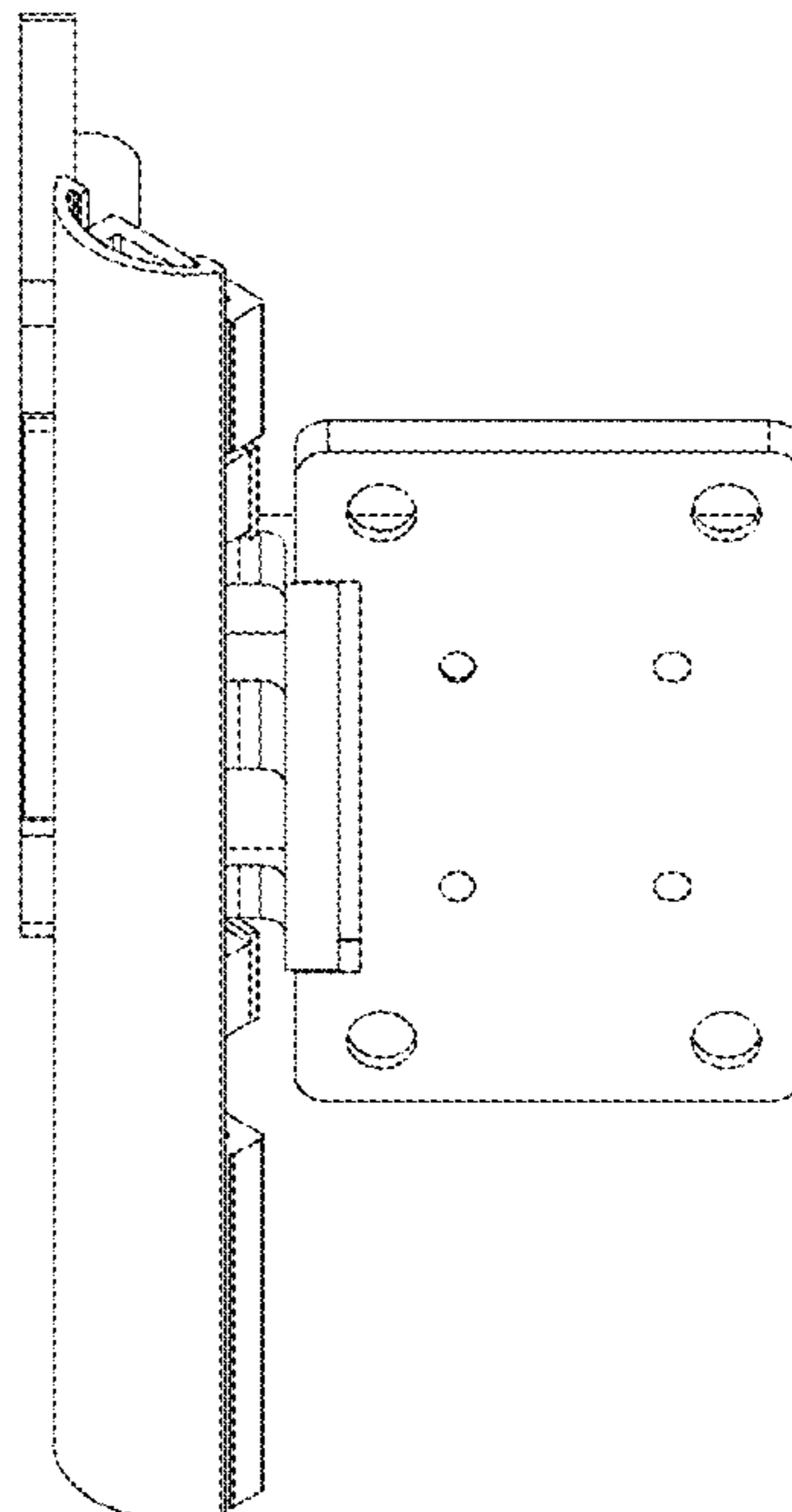
U.S. PATENT DOCUMENTS

5,173,993 A * 12/1992 Baker E05D 11/087
16/329
6,859,980 B2 * 3/2005 Baer E05D 3/022
16/250

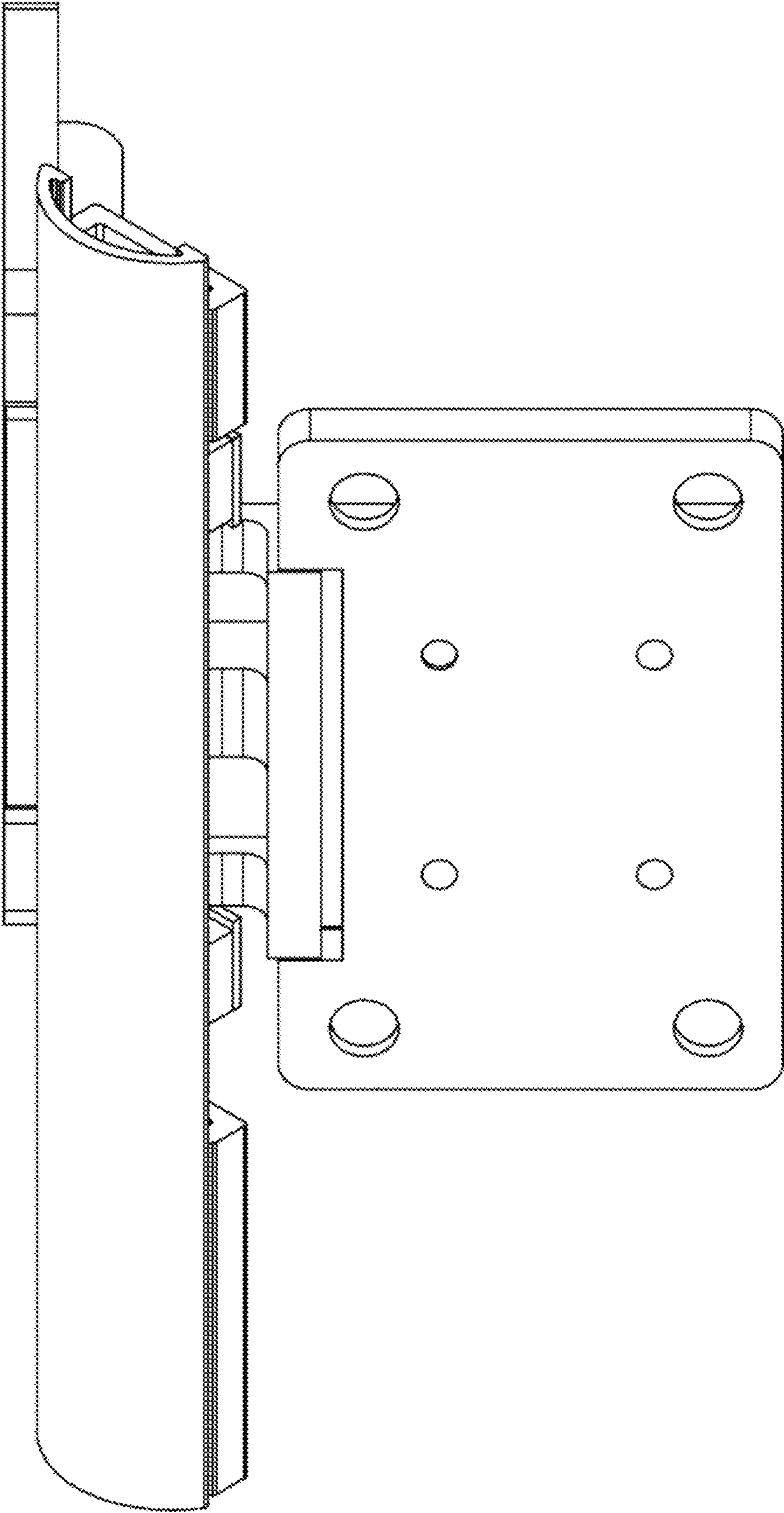
DESCRIPTION

- 1. Fitting for furniture
- 1.1 is a perspective view of the fitting for furniture;
- 1.2 is a front view thereof;
- 1.3 is a side view thereof;
- 1.4 is a side view thereof;
- 1.5 is a rear view thereof;
- 1.6 is a top view thereof; and
- 1.7 is a bottom view thereof.

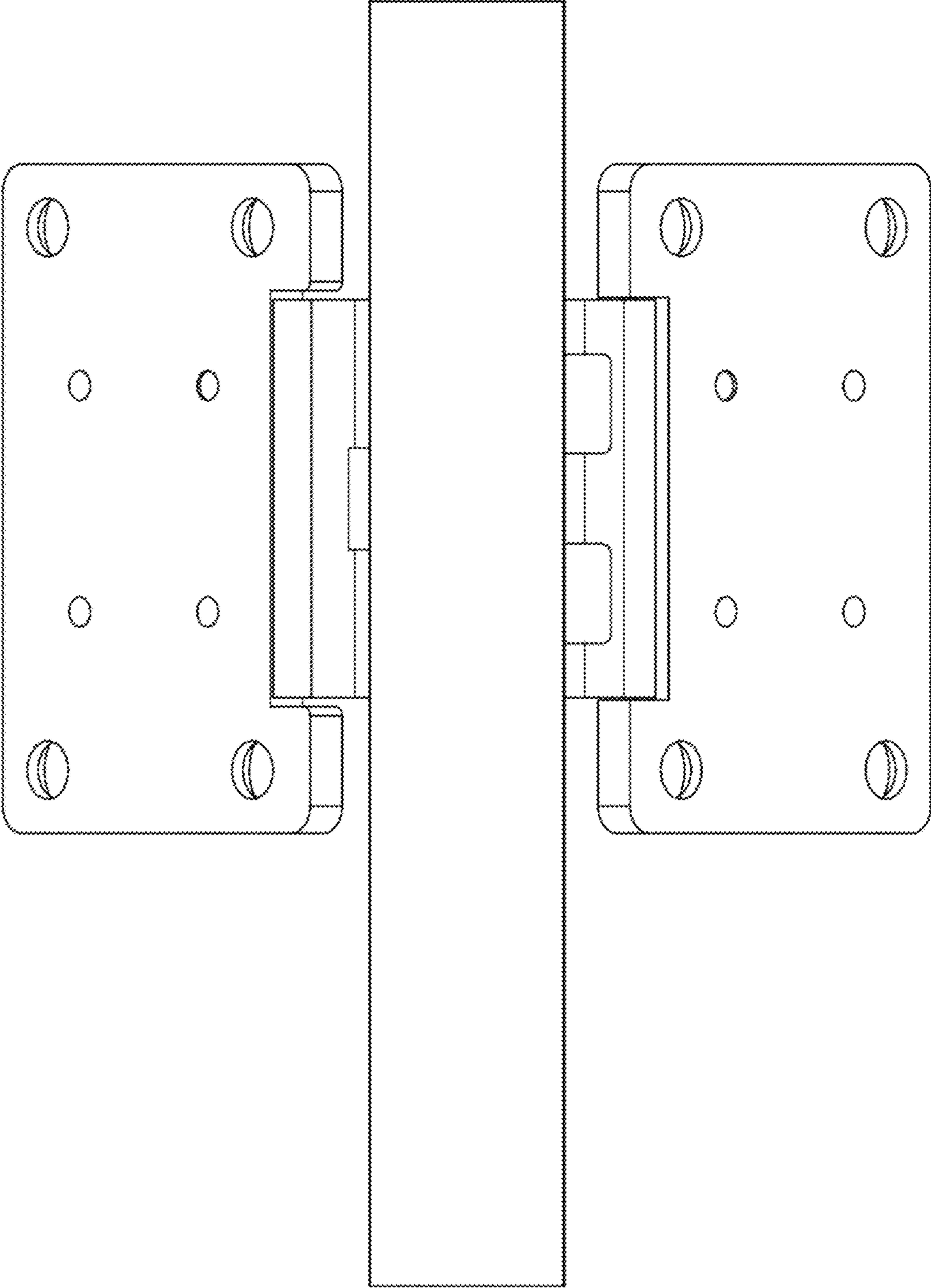
1 Claim, 7 Drawing Sheets



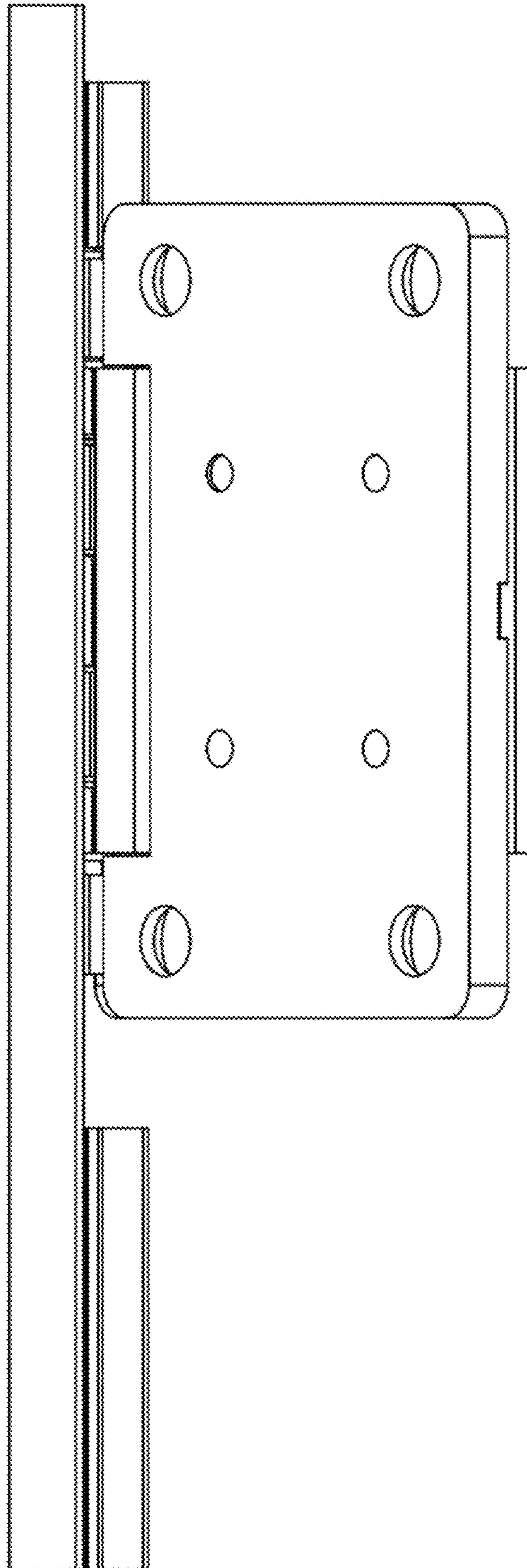
1.1



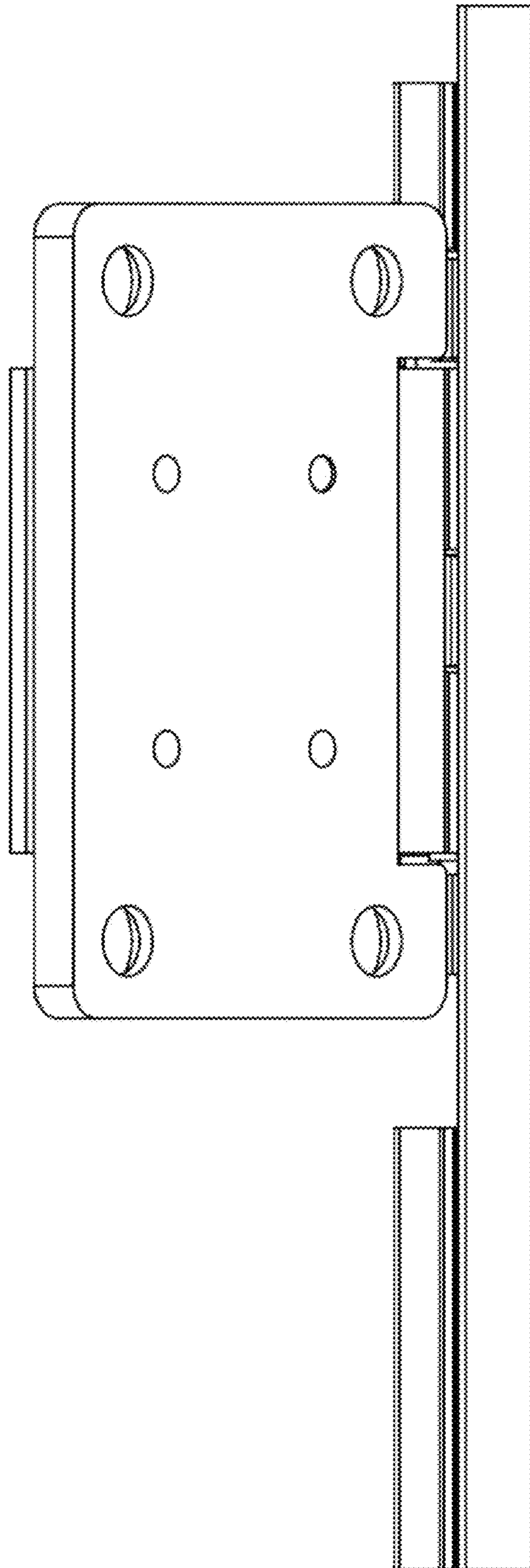
1.2



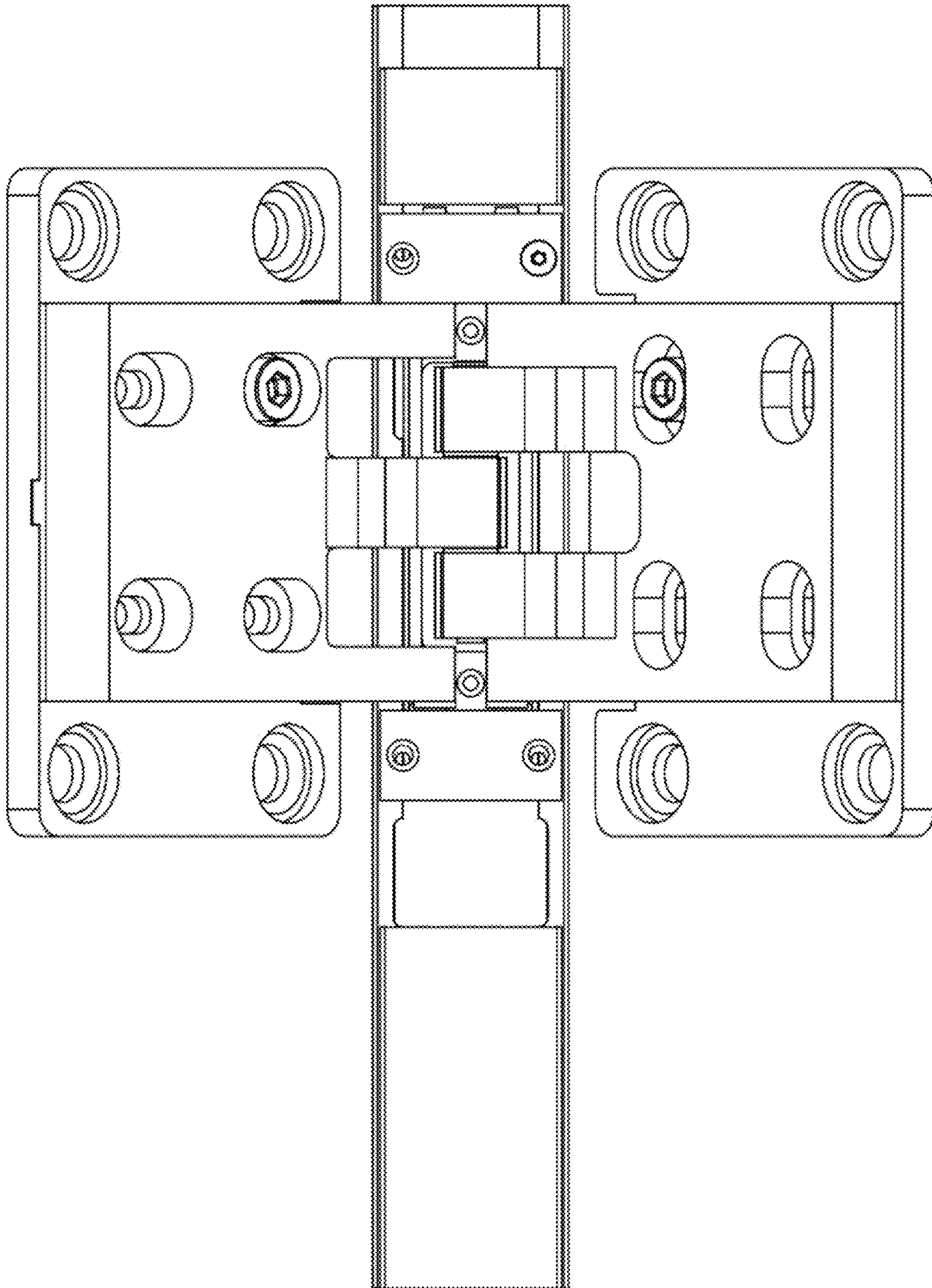
1.3



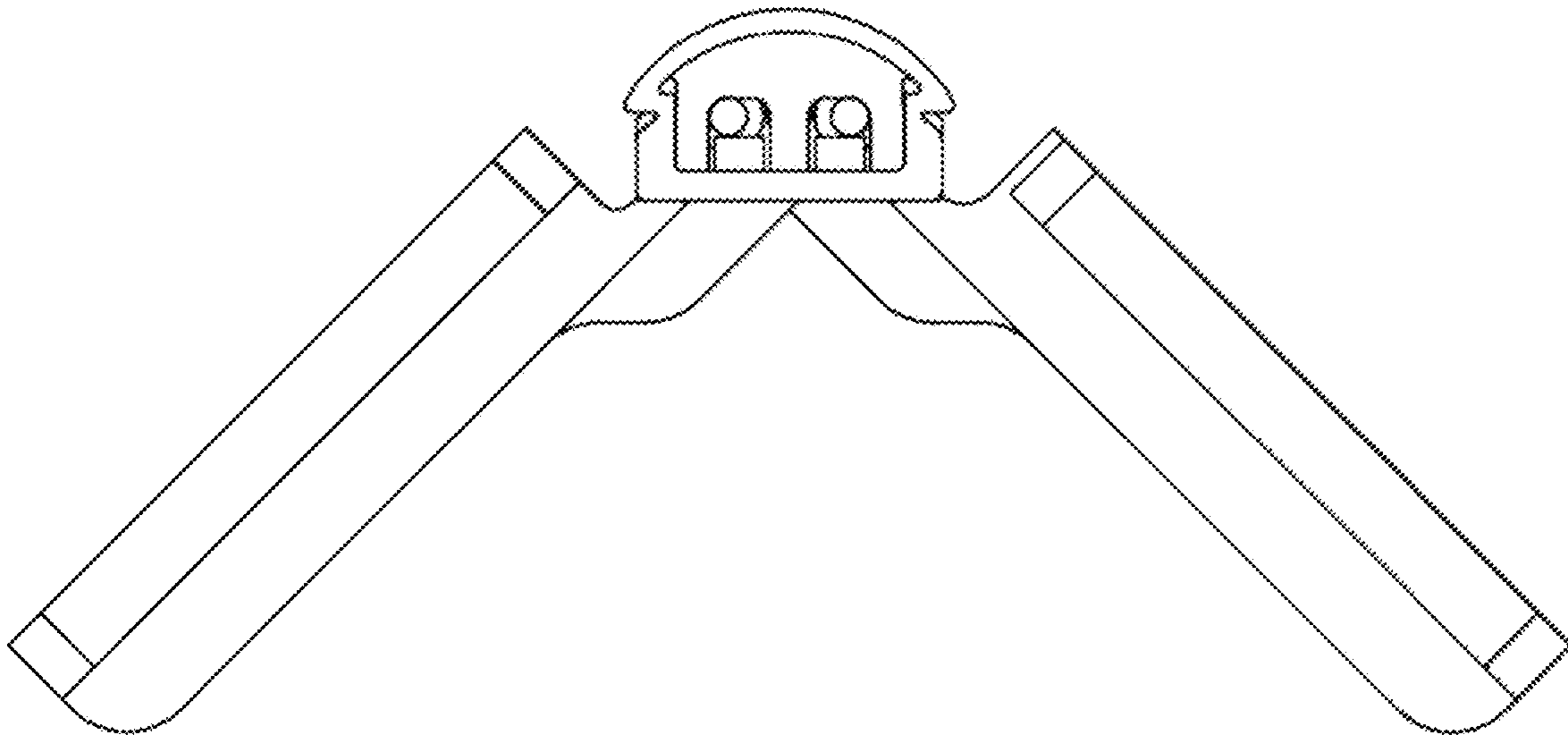
1.4



1.5



1.6



1.7

