



US00D854392S

(12) **United States Design Patent**  
**Watson et al.**

(10) **Patent No.:** **US D854,392 S**

(45) **Date of Patent:** **\*\* Jul. 23, 2019**

- (54) **FOLDABLE BLADE SHARPENER**
- (71) Applicant: **ACME UNITED CORPORATION**,  
Fairfield, CT (US)
- (72) Inventors: **Stanley A. Watson**, Franklin, MA (US);  
**Richard S. Constantine**, Monroe, CT (US)
- (73) Assignee: **ACME United Corporation**, Fairfield,  
CT (US)
- (\*\*) Term: **15 Years**
- (21) Appl. No.: **29/629,501**
- (22) Filed: **Dec. 13, 2017**
- (51) **LOC (11) Cl.** ..... **08-05**
- (52) **U.S. Cl.**  
USPC ..... **D8/93**
- (58) **Field of Classification Search**  
USPC ..... D8/63, 90, 91, 92, 93  
CPC .... B24B 3/54; B24B 3/36; B24B 3/58; B24B  
3/00; B24B 23/08; B24B 15/00; B24B  
15/06; B24B 15/063; B24B 15/08  
See application file for complete search history.

- D602,199 S \* 10/2009 Ortega ..... D28/21
- 8,973,273 B2 \* 3/2015 Brown ..... B25G 3/38  
30/153
- D727,691 S \* 4/2015 Wang ..... D7/644
- D728,856 S \* 5/2015 Wang ..... D28/23
- D731,278 S \* 6/2015 Cavanaugh ..... D8/105
- D804,272 S \* 12/2017 Chalfant ..... D8/91
- D825,310 S \* 8/2018 Liu ..... D8/99

**OTHER PUBLICATIONS**

Bonytek folding sharpener found on Amazon.com.\*

\* cited by examiner

*Primary Examiner* — Philip S Hyder

(74) *Attorney, Agent, or Firm* — Bond Schoeneck &  
King, PLLC; George R McGuire

(57) **CLAIM**

The ornamental design for a foldable blade sharpener, as shown and described.

**DESCRIPTION**

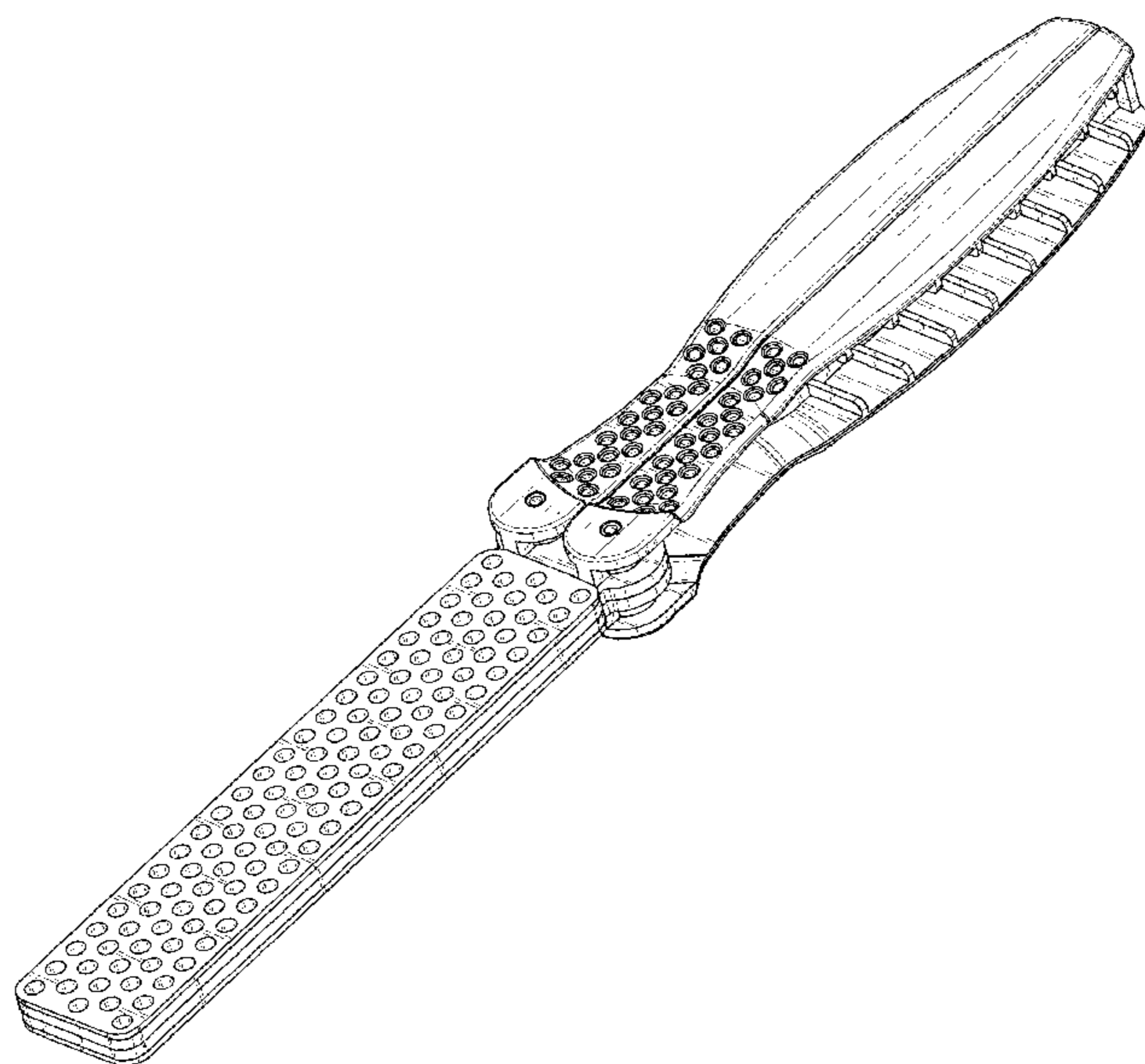
FIG. 1 is a perspective view of a new and ornamental design for a foldable blade sharpener shown it is open position; FIG. 2 is a first side elevation view thereof; FIG. 3 is a second side elevation view thereof; FIG. 4 is a top plan view thereof; FIG. 5 is a bottom plan view thereof; FIG. 6 is a front elevation view thereof; FIG. 7 is a rear elevation view thereof; and, FIG. 8 is a second perspective view thereof with the foldable blade sharpener shown in its closed position.

**1 Claim, 5 Drawing Sheets**

(56) **References Cited**

**U.S. PATENT DOCUMENTS**

- 3,942,394 A \* 3/1976 Juranitch ..... B24D 15/06  
76/84
- 4,259,815 A \* 4/1981 Kuban ..... B24D 15/08  
451/552
- 4,271,592 A \* 6/1981 Hoptner ..... B26B 1/02  
30/153
- D372,180 S \* 7/1996 Powell ..... D8/91
- D487,494 S \* 3/2004 Glesser ..... D22/118
- D493,684 S \* 8/2004 Smith ..... D8/90



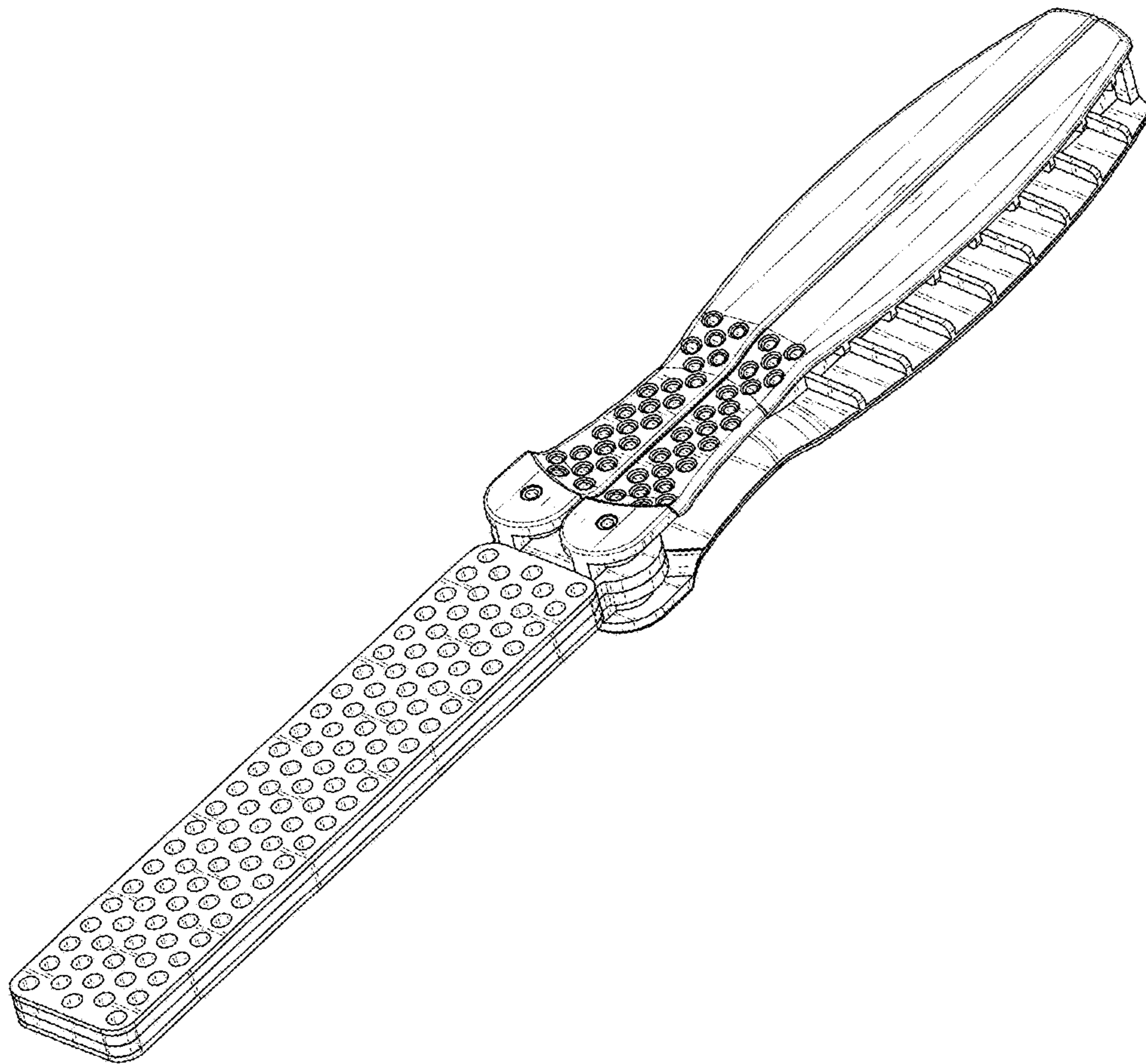


FIG. 1

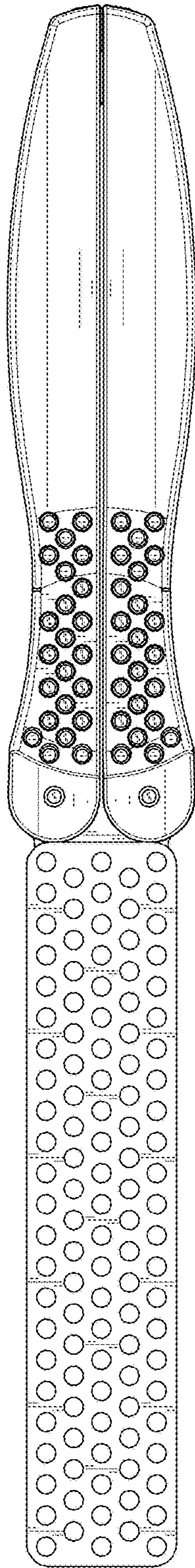


FIG. 2

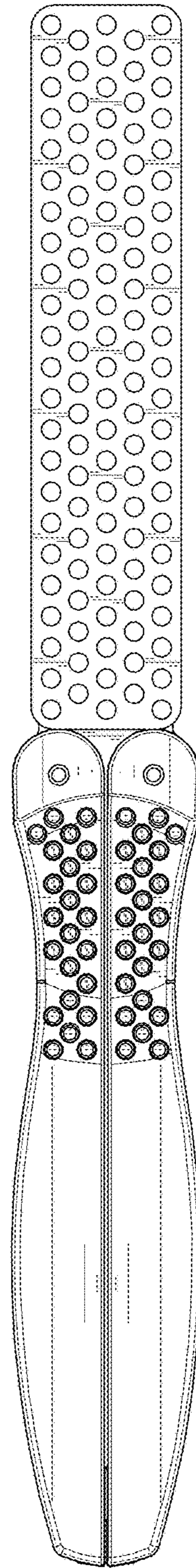


FIG. 3

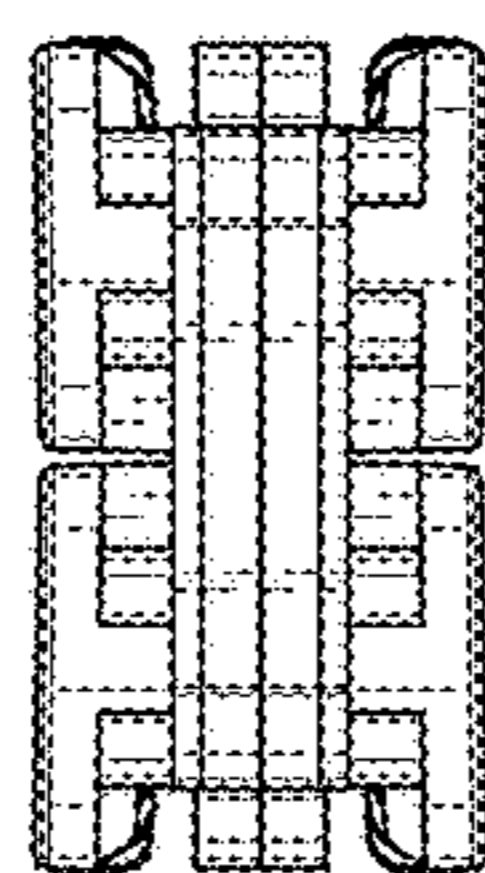


FIG. 4

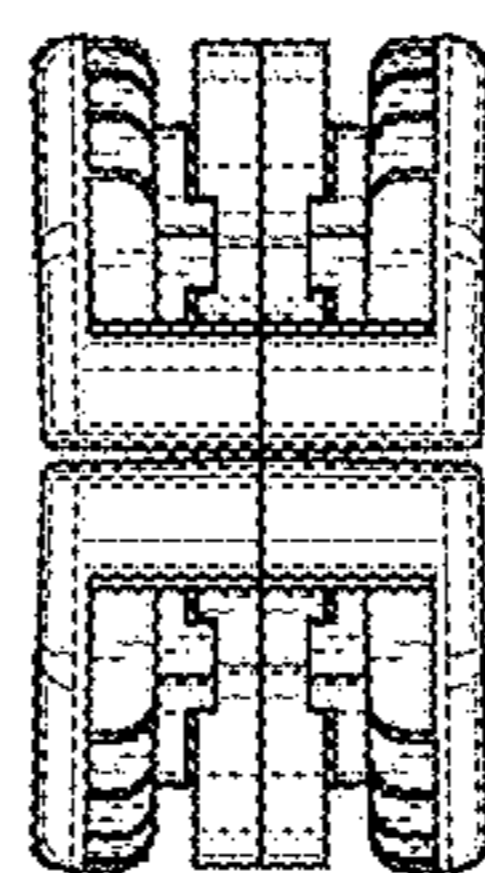


FIG. 5

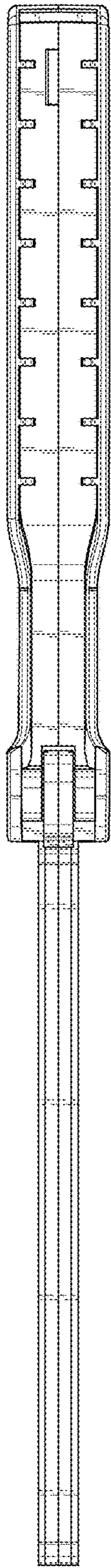


FIG. 6

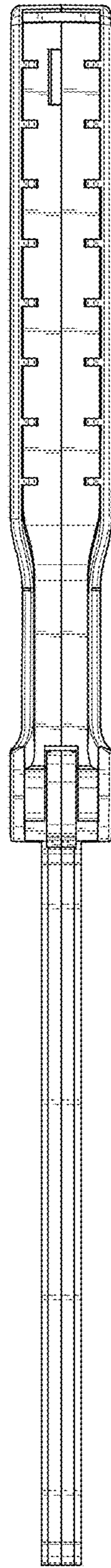


FIG. 7

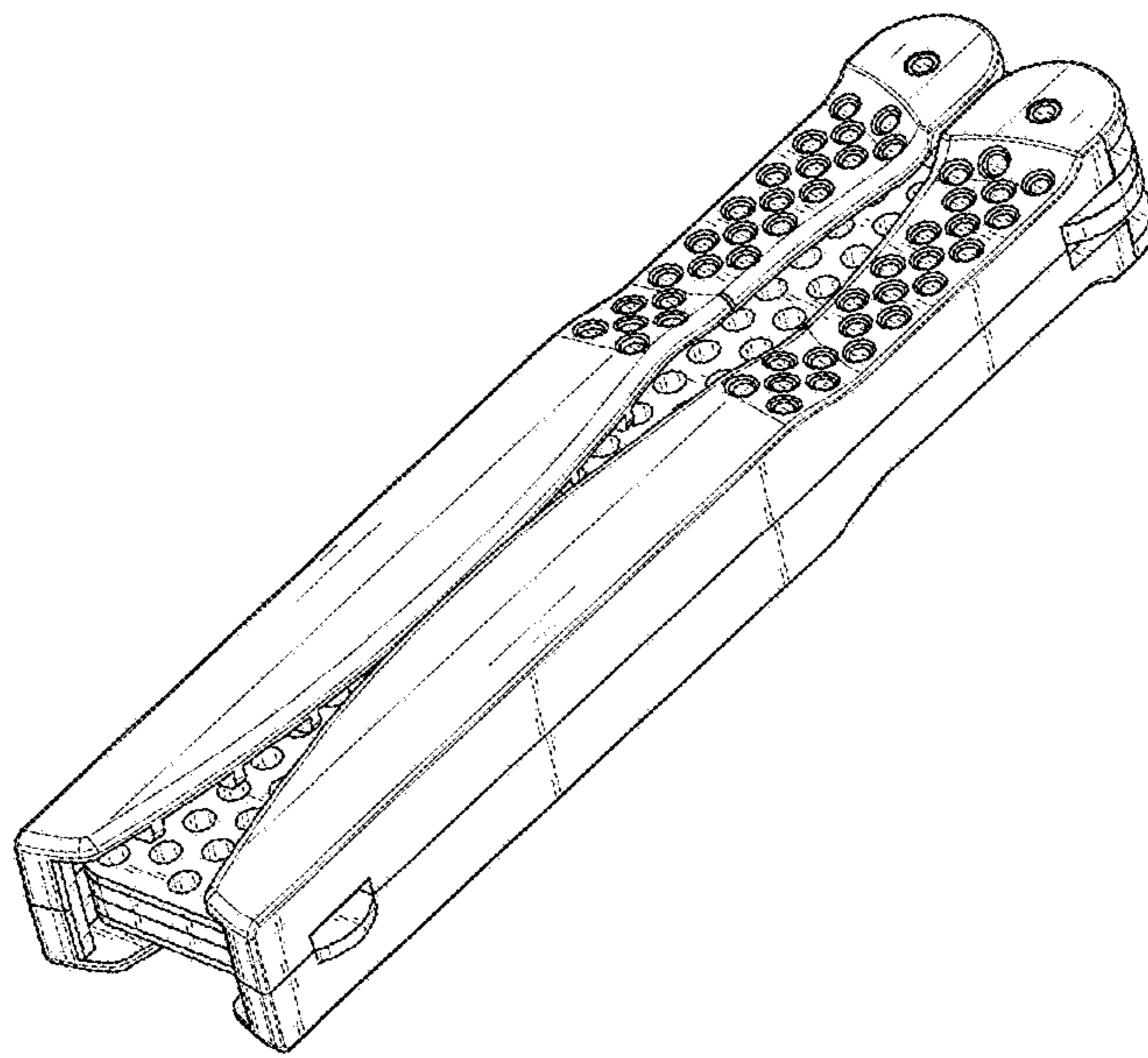


FIG. 8