



US00D854388S

(12) **United States Design Patent** (10) **Patent No.:** **US D854,388 S**  
**Lazarov** (45) **Date of Patent:** **\*\* Jul. 23, 2019**

(54) **HAND TORCH STAND**

(71) Applicant: **Ross Lazarov**, Prior Lake, MN (US)

(72) Inventor: **Ross Lazarov**, Prior Lake, MN (US)

(\*\*) Term: **15 Years**

(21) Appl. No.: **29/636,570**

(22) Filed: **Feb. 9, 2018**

(51) **LOC (11) Cl.** ..... **08-05**

(52) **U.S. Cl.**  
USPC ..... **D8/71**

(58) **Field of Classification Search**  
USPC ..... D8/16, 30, 71; D15/144, 126, 122;  
D32/73

CPC ..... B23K 37/02; B23K 37/006; B23K 3/027  
See application file for complete search history.

(56) **References Cited**

**U.S. PATENT DOCUMENTS**

D308,160 S \* 5/1990 Sweeny ..... D8/30  
D335,676 S \* 5/1993 Szybura ..... D15/144  
D373,519 S \* 9/1996 Escalante ..... D8/71  
D393,790 S \* 4/1998 King, Jr. .... D8/354  
D413,502 S \* 9/1999 Chang ..... D8/71

**OTHER PUBLICATIONS**

Keyfit, Jan. 21, 2018, Amazon, [https://www.amazon.com/Keyfit-Tools-Propane-Torch-Stand/dp/B0796G1QQL/ref=sr\\_1\\_1\\_sspa?](https://www.amazon.com/Keyfit-Tools-Propane-Torch-Stand/dp/B0796G1QQL/ref=sr_1_1_sspa?)

ie=UTF8&qid=1541619426&sr=8-1-spons&keywords=Keyfit+Tools+Propane+Torch+Stand&psc=1 , 17 pages, 2018.\*

\* cited by examiner

*Primary Examiner* — Janice Hallmark

*Assistant Examiner* — Harold E Blackwell, II

(74) *Attorney, Agent, or Firm* — Haugen Law Firm PLLP

(57) **CLAIM**

The ornamental design for a hand torch stand, as shown and described.

**DESCRIPTION**

FIG. 1 is a front top perspective view of the hand torch stand of the present invention;

FIG. 2 is a front view thereof;

FIG. 3 is a back view thereof;

FIG. 4 is a left side view thereof;

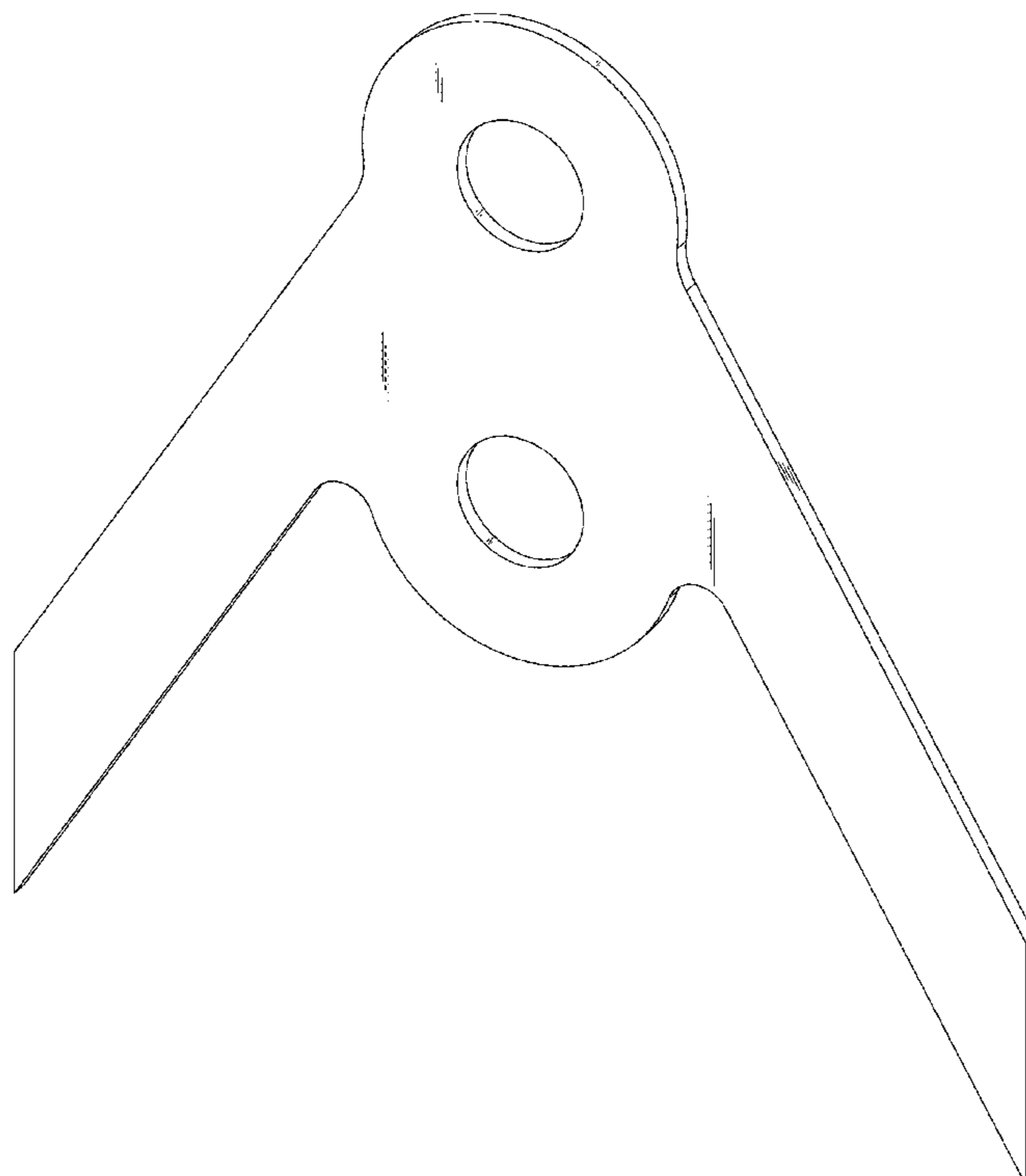
FIG. 5 is a right side view thereof;

FIG. 6 is a top view thereof;

FIG. 7 is a bottom view thereof; and,

FIG. 8 is a bottom back perspective view thereof.

**1 Claim, 8 Drawing Sheets**



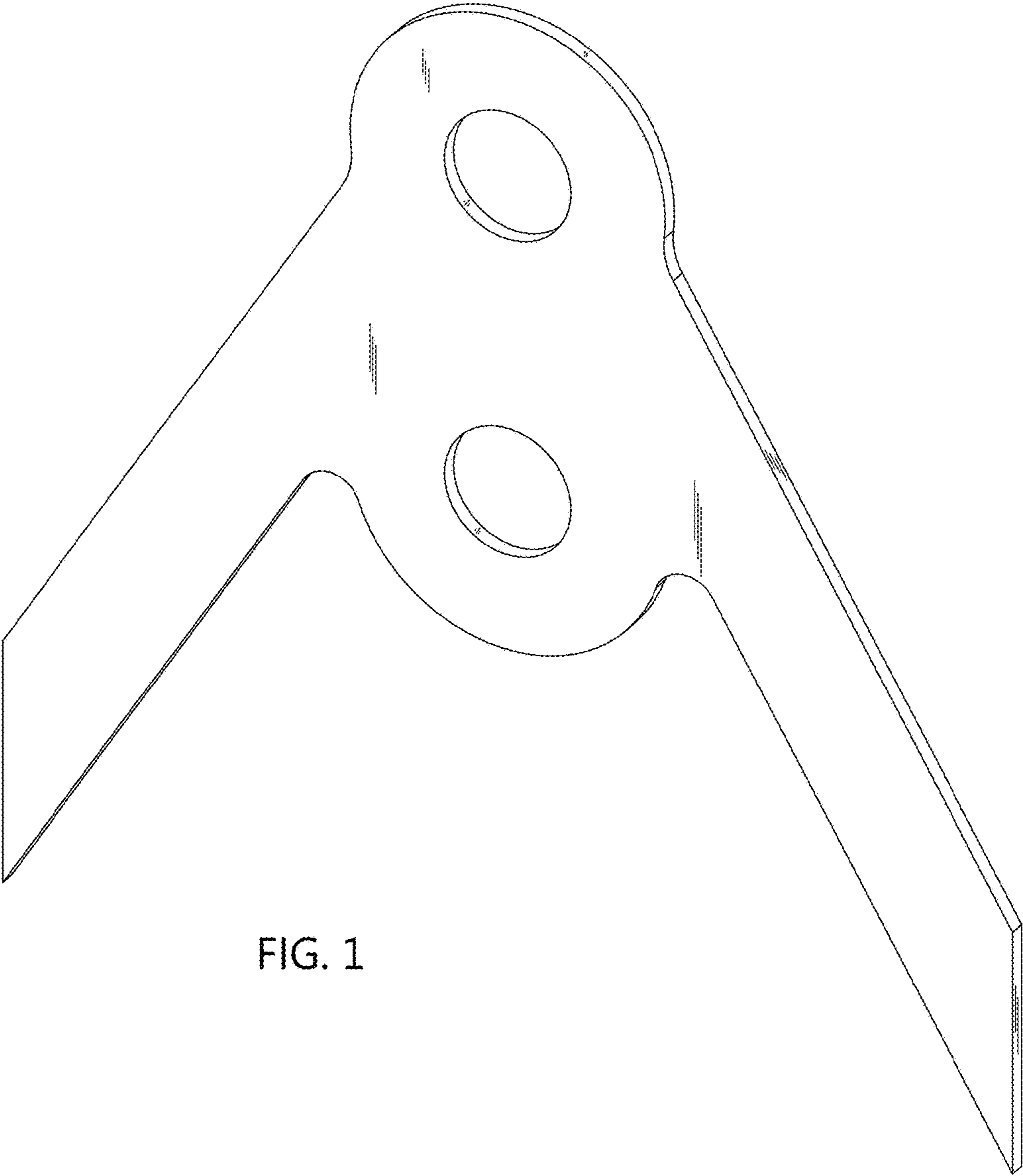


FIG. 1

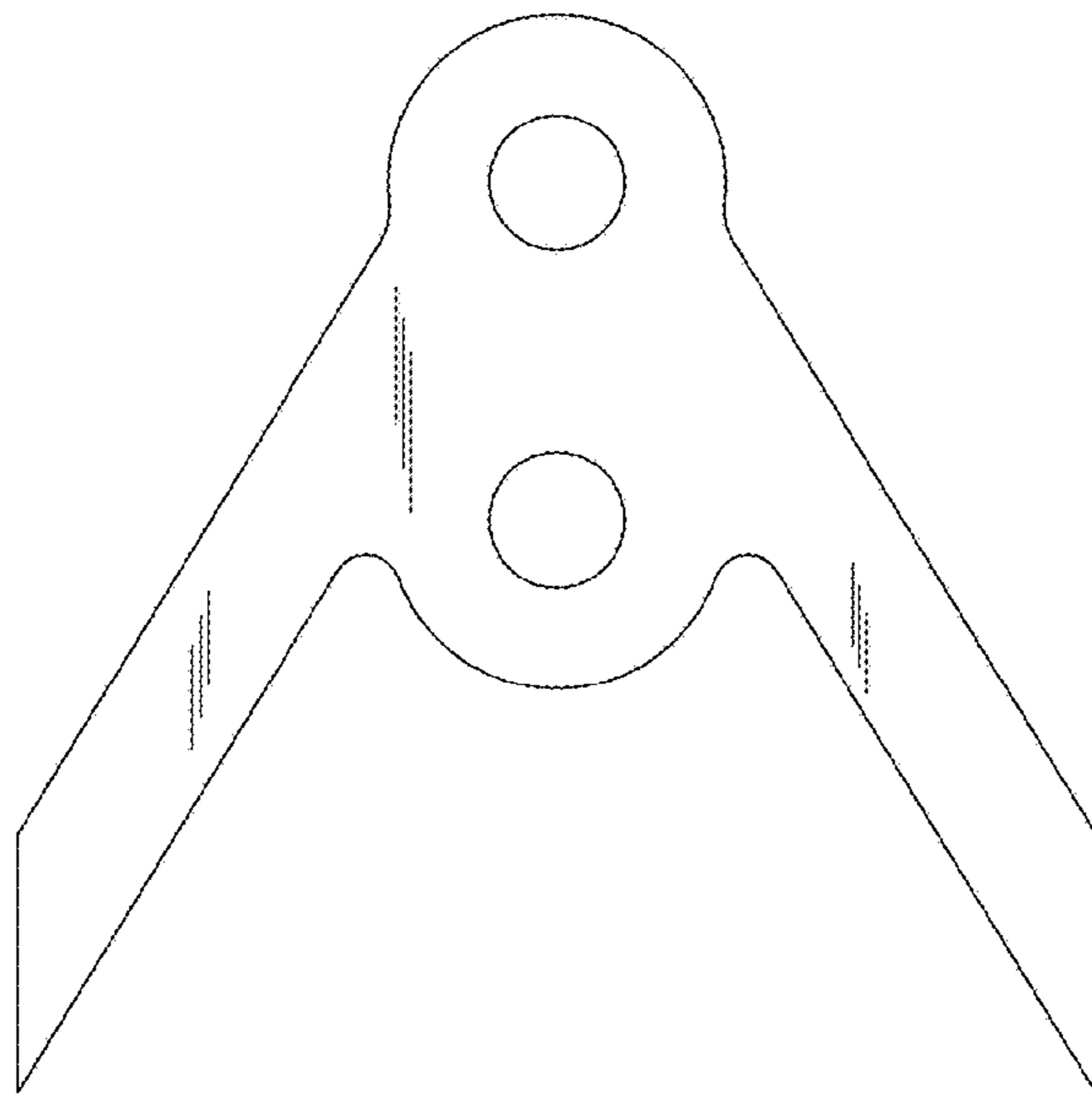


FIG. 2

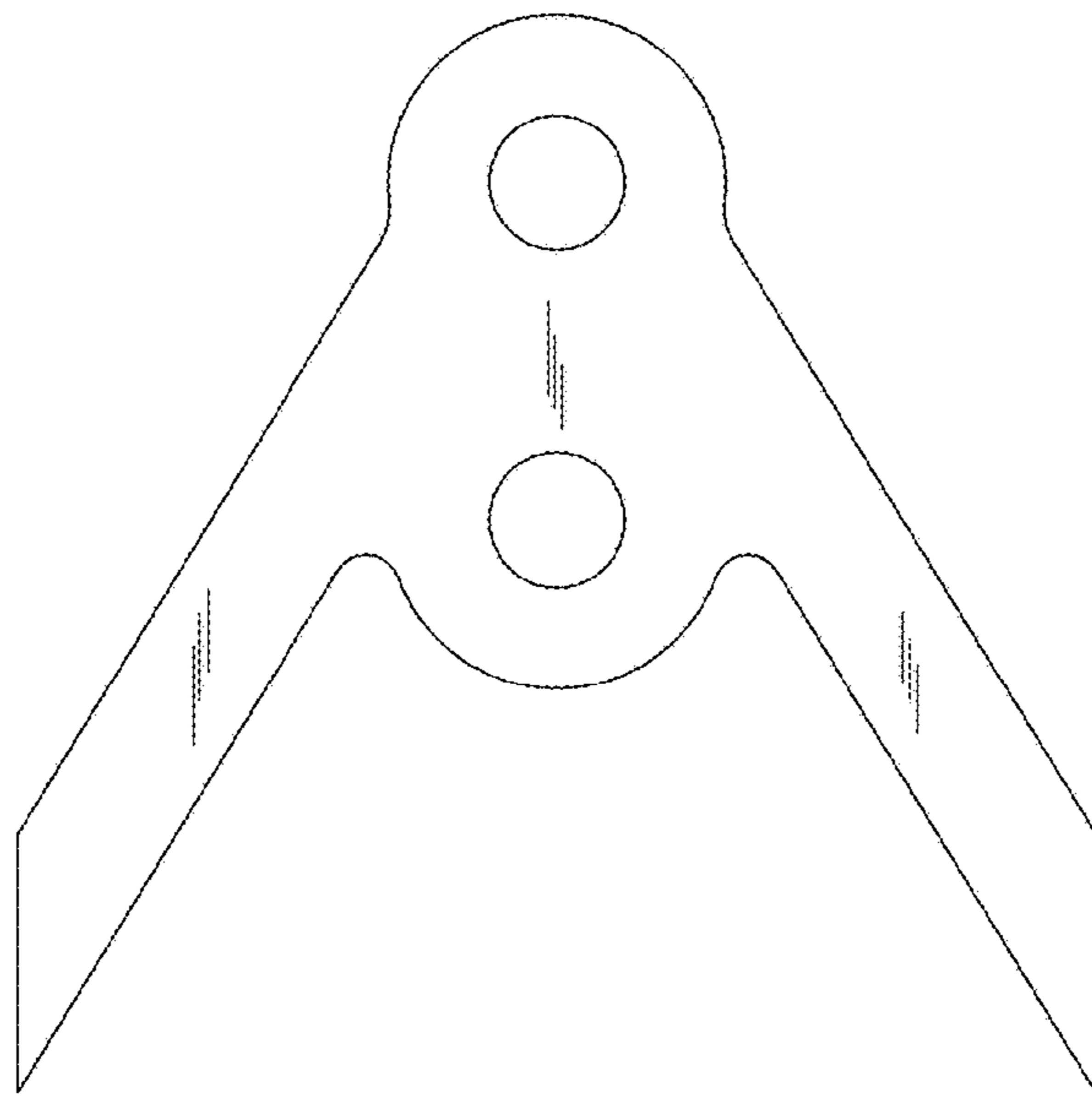


FIG. 3

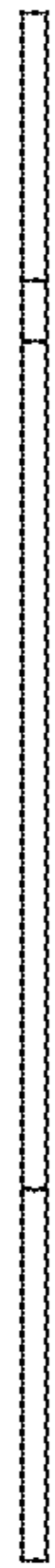


FIG. 4

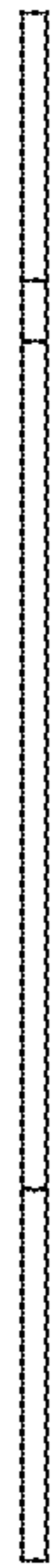


FIG. 5

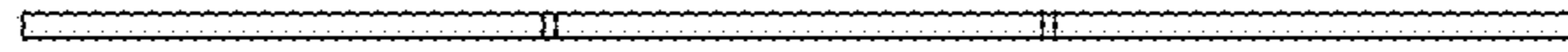


FIG. 6

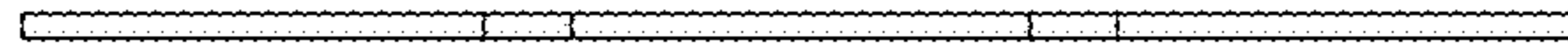


FIG. 7



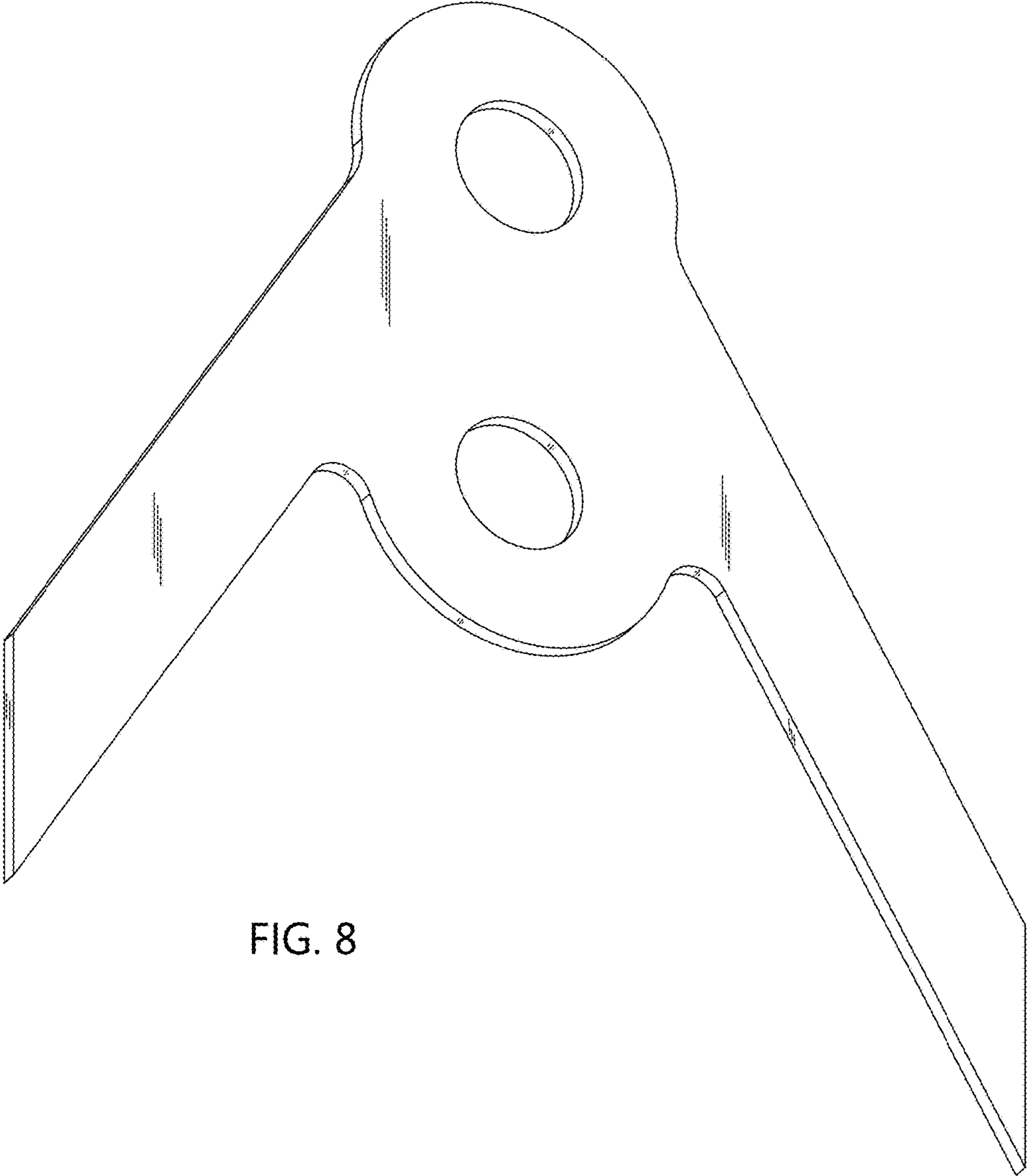


FIG. 8