



US00D854387S

(12) **United States Design Patent** (10) **Patent No.:** **US D854,387 S**  
**Dretzka et al.** (45) **Date of Patent:** **\*\* Jul. 23, 2019**

(54) **HEDGE TRIMMER**

(71) Applicant: **THE TORO COMPANY**,  
Bloomington, MN (US)  
(72) Inventors: **Philip C. Dretzka**, Woodbury, MN  
(US); **David J. Martin**, Eden Prairie,  
MN (US); **Ryan J. Sweere**,  
Minneapolis, MN (US); **Tyler E.**  
**Peterson**, Lindstrom, MN (US)

(73) Assignee: **THE TORO COMPANY**,  
Bloomington, MN (US)

(\*\*) Term: **15 Years**

(21) Appl. No.: **29/601,674**

(22) Filed: **Apr. 25, 2017**

(51) **LOC (11) Cl.** ..... **08-01**

(52) **U.S. Cl.**  
USPC ..... **D8/8**

(58) **Field of Classification Search**  
USPC ..... D8/1, 7, 8, 9, 499; D15/1, 17  
CPC ..... A01G 3/06; A01G 3/053; A01G 3/067;  
A01G 3/0535; A01G 3/00; A01G 3/062  
See application file for complete search history.

(56) **References Cited**

**U.S. PATENT DOCUMENTS**

D463,229	S	*	9/2002	Gabriel	.....	D8/8
D661,557	S	*	6/2012	Sweeney	.....	D8/8
D720,193	S	*	12/2014	Luedtke	.....	D8/8
D721,551	S	*	1/2015	Carl	.....	D8/8
D741,670	S	*	10/2015	Carl	.....	D8/8
D753,968	S	*	4/2016	Jiang	.....	D8/8
D786,030	S	*	5/2017	Busschaert	.....	D8/8
2016/0242365	A1	*	8/2016	Li	.....	F16D 11/14

**OTHER PUBLICATIONS**

U.S. Appl. No. 29/592,487, filed Jan. 31, 2017, The Toro Co.  
U.S. Appl. No. 29/601,668, filed Apr. 25, 2017, The Toro Co.  
U.S. Appl. No. 29/601,676, filed Apr. 25, 2017, The Toro Co.  
U.S. Appl. No. 29/601,679, filed Apr. 25, 2017, The Toro Co.  
Toro "24in Cordless Hedge Trimmer; Model No. 51496—Serial No. 314000001 and Up; Model No. 51496T—Serial No. 314000001 and Up." Operator's Manual. Form No. 3379-707 Rev A, The Toro Company, Copyright 2013; 8 pages.

(Continued)

*Primary Examiner* — Sandra S Snapp

*Assistant Examiner* — Ieisha N Price

(74) *Attorney, Agent, or Firm* — Muetting, Raasch & Gebhardt, P.A.

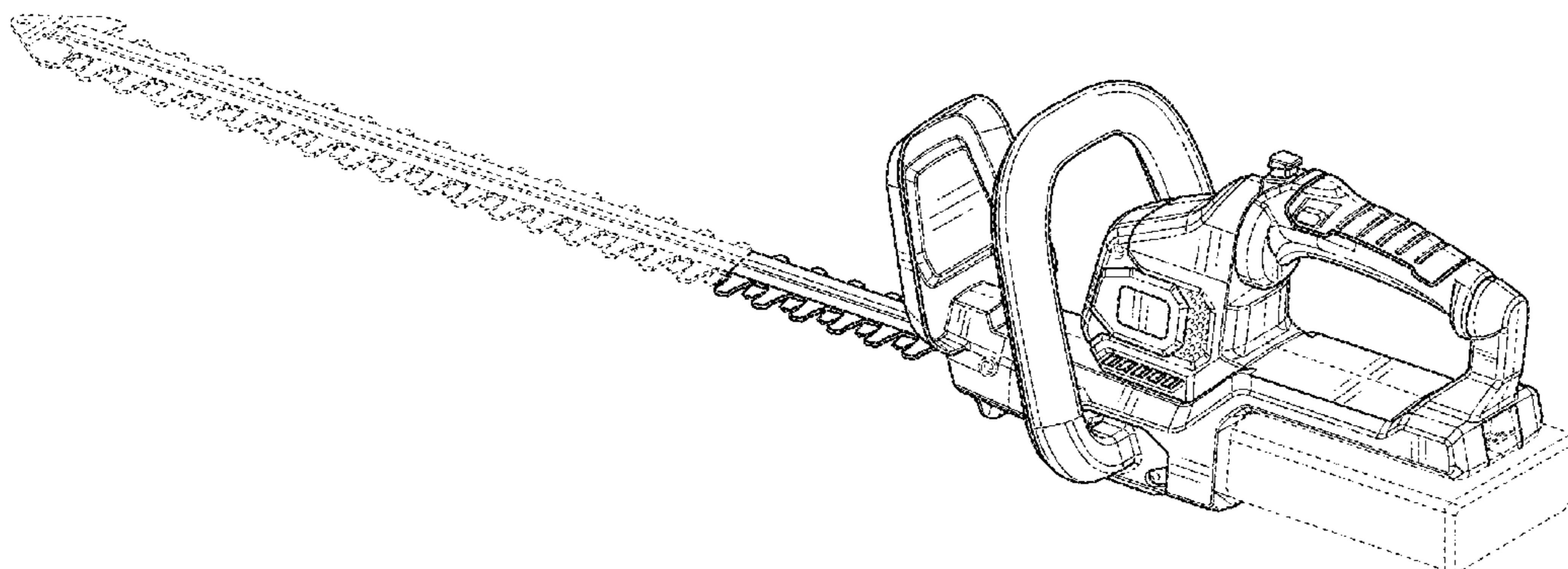
(57) **CLAIM**

The ornamental design for a hedge trimmer, as shown and described.

**DESCRIPTION**

FIG. 1 is a left rear perspective view of a hedge trimmer in accordance with the claimed design;  
FIG. 2 is a bottom right perspective view of the design of FIG. 1;  
FIG. 3 is a left side elevation view of the design of FIG. 1;  
FIG. 4 is a right side elevation view of the design of FIG. 1;  
FIG. 5 is a top plan view of the design of FIG. 1;  
FIG. 6 is a bottom plan view of the design of FIG. 1;  
FIG. 7 is a rear elevation view of the design of FIG. 1; and,  
FIG. 8 is a front elevation view of the design of FIG. 1.  
The broken lines in the drawings illustrate portions of the hedge trimmer and form no part of the claimed design.  
The dot-dash broken lines in the figures immediately adjacent the solid lines represent a boundary between claimed and unclaimed subject matter and form no part of the claimed design.

**1 Claim, 8 Drawing Sheets**



(56)

**References Cited**

OTHER PUBLICATIONS

Toro "22 inch Electric Hedge Trimmer; Model No. 51490—Serial No. 311000001 and Up." Operator's Manual. Form No. 3368-914 Rev B, The Toro Company, Copyright 2011; 20 pages.

Toro "22in Cordless Hedge Trimmer; Model No. 51494—Serial No. 311000001 and Up." Operator's Manual. Form No. 3368-176 Rev B, The Toro Company, Copyright 2011; 20 pages.

Milwaukee "Operator's Manual, M18 Hedge Trimmer." Cat. No. 2726-20, Milwaukee Tool, 2016; 16 pages.

Ryobi "Operator's Manual, 18 Volt Hedge Trimmer, P2600 P2600A." Techtronic Industries North America, Inc., 2007; 16 pages.

Ryobi "Operator's Manual, 40 Volt Hedge Trimmer, RY40601." Techtronic Industries North America, Inc., 2014; 34 pages.

Greenworks "40V Lithium-ion Cordless Hedge Trimmer 22262." Greenworks, 2012; 23 pages.

\* cited by examiner

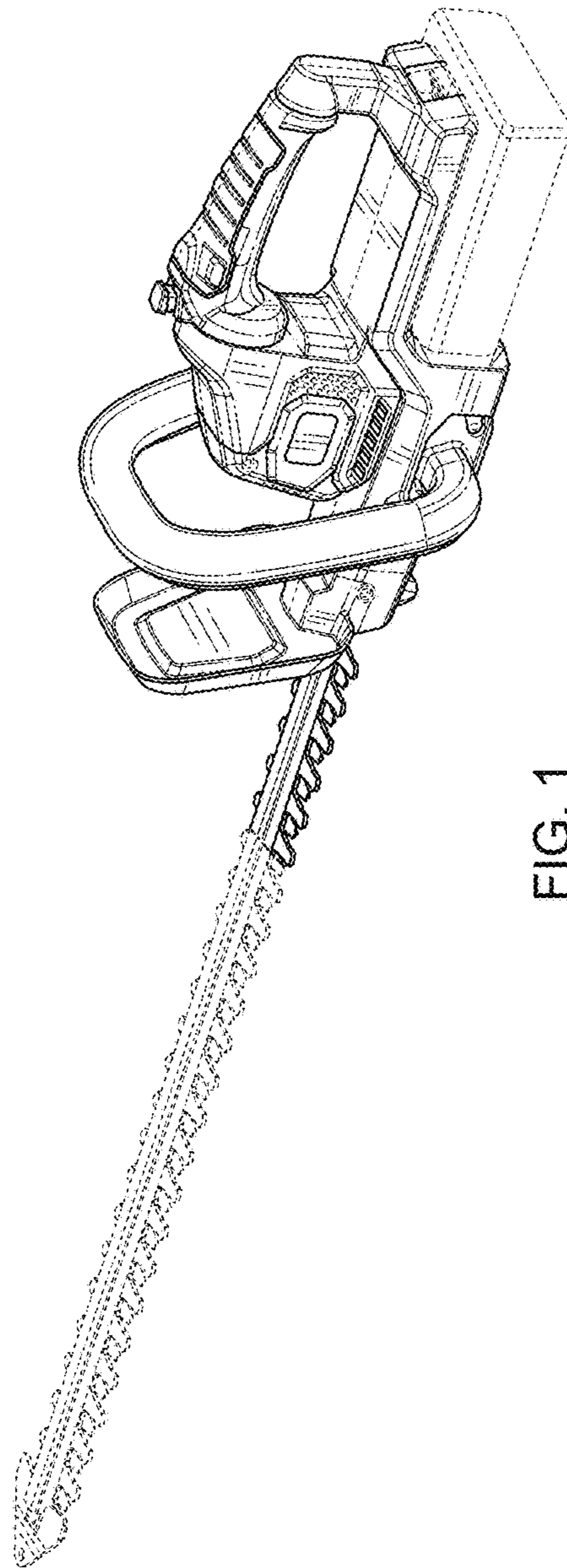


FIG. 1

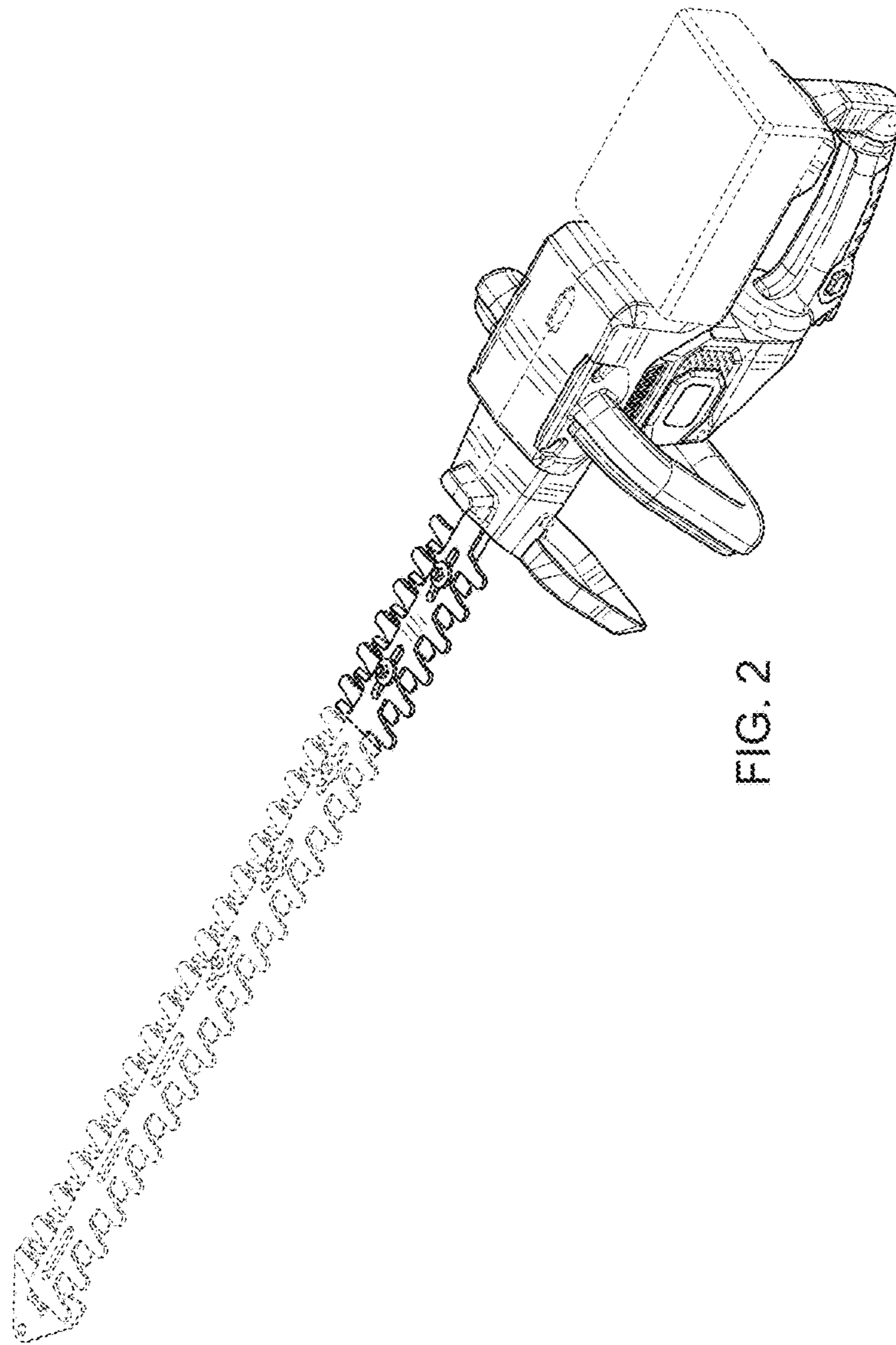


FIG. 2

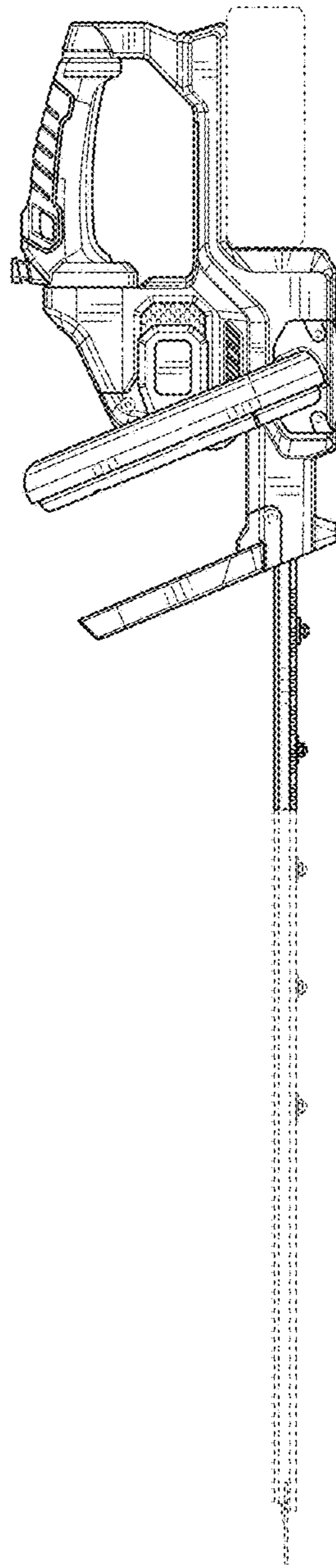


FIG. 3

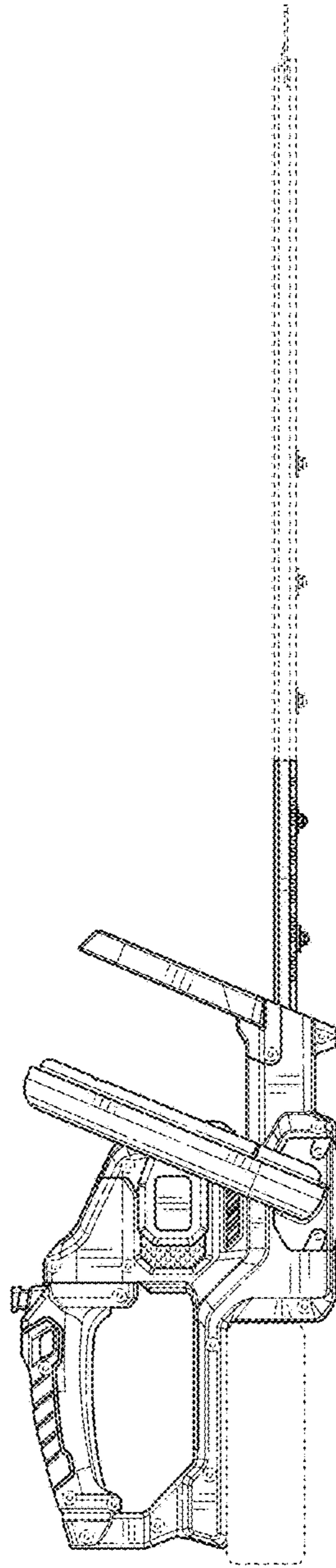


FIG. 4

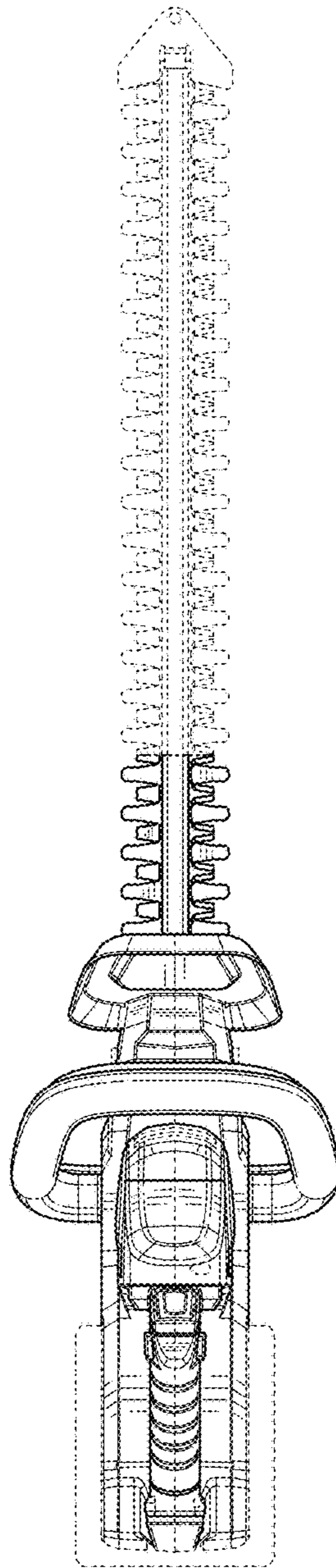


FIG. 5

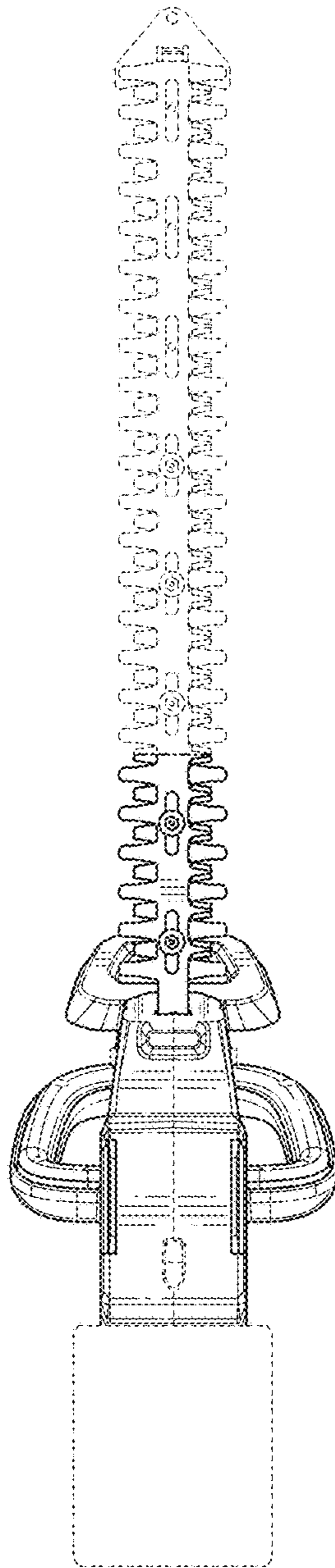


FIG. 6



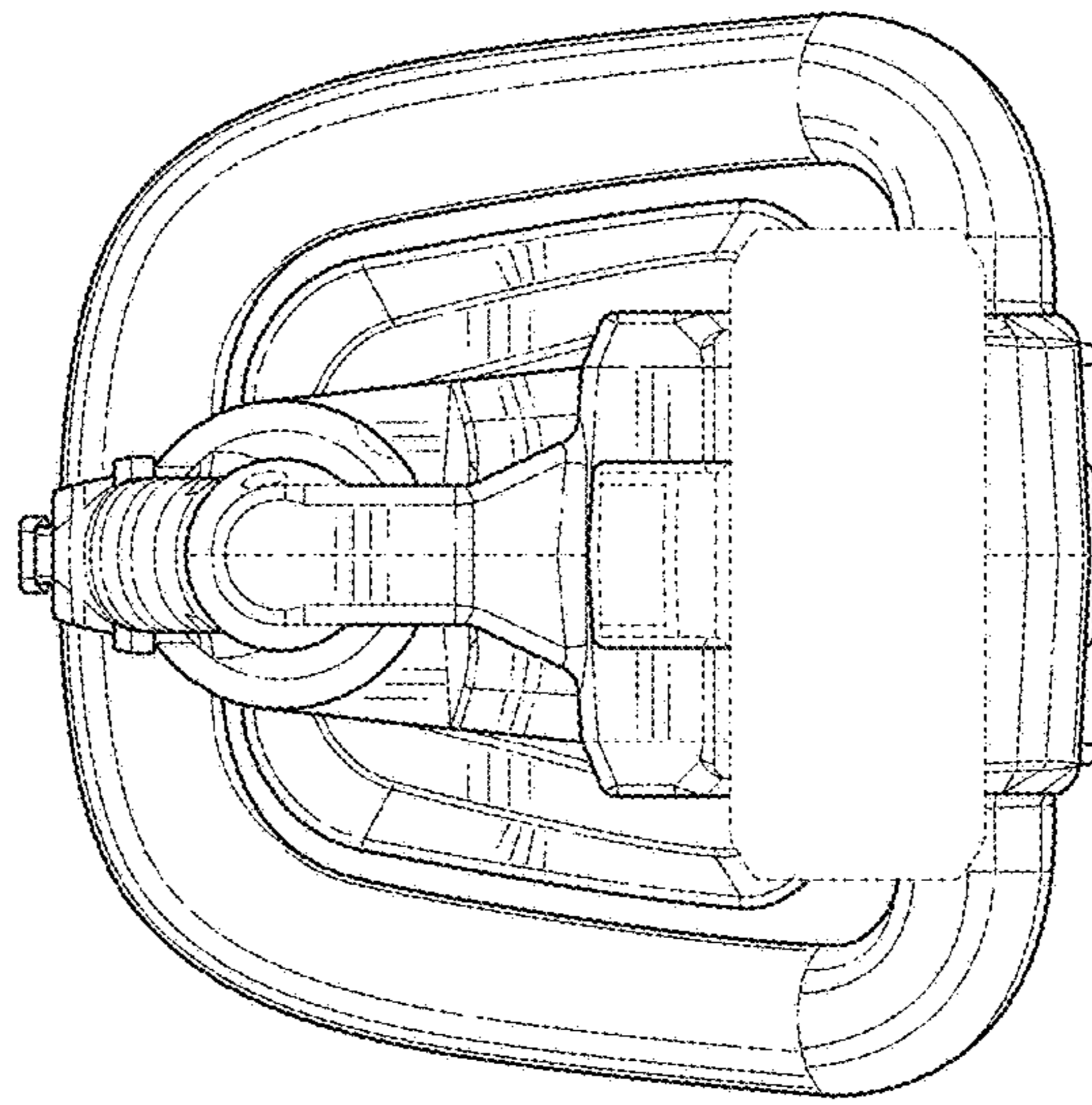


FIG. 7

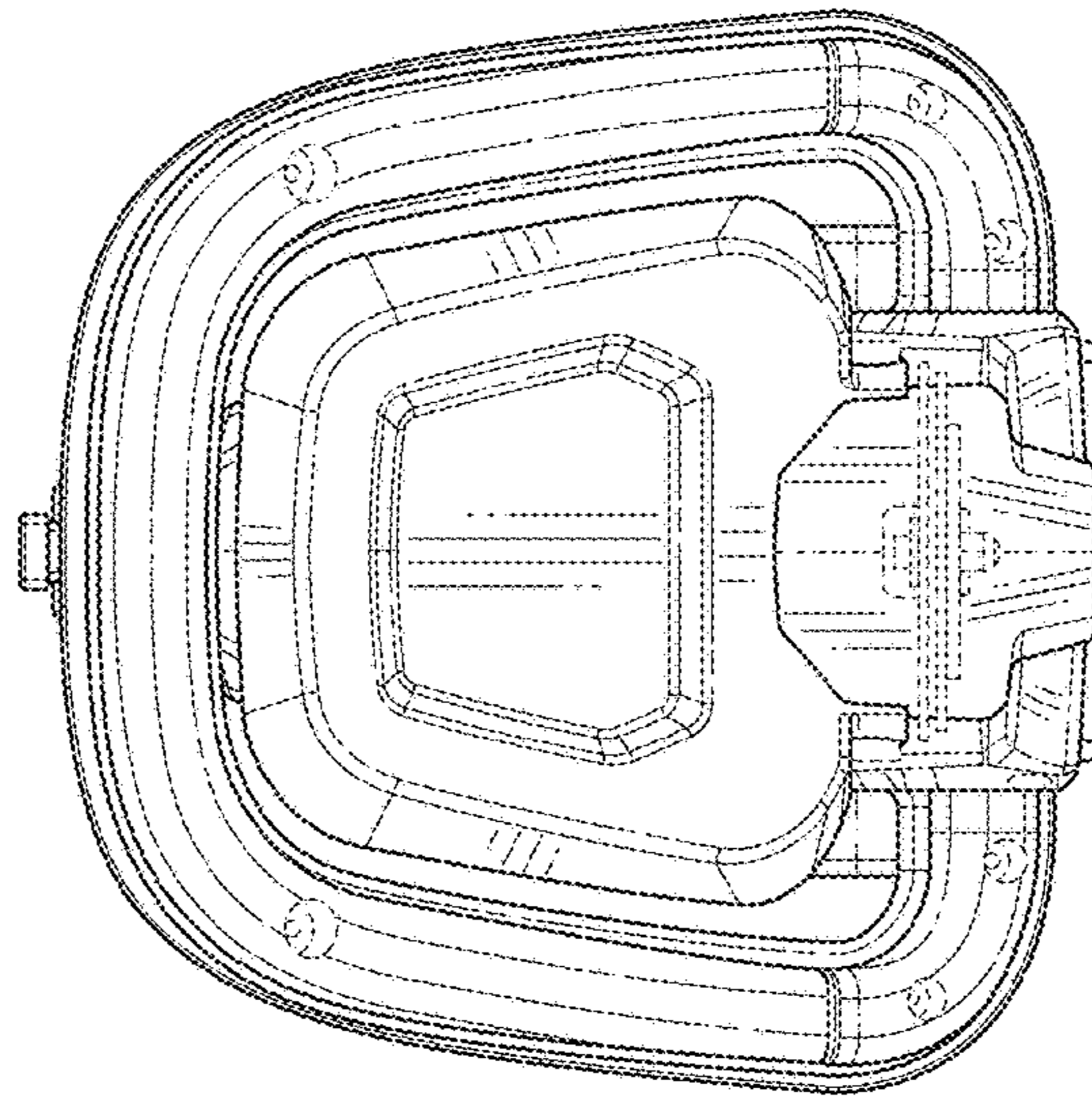


FIG. 8