



US00D854378S

(12) **United States Design Patent** (10) **Patent No.:** **US D854,378 S**  
**Breit et al.** (45) **Date of Patent:** **\*\* Jul. 23, 2019**

(54) **CARRYING CONTAINER WITH WATER BOTTLE**

(71) Applicant: **O2COOL, LLC**, Chicago, IL (US)

(72) Inventors: **Oliver Breit**, Discovery Bay (HK);  
**Eric F. Junkel**, Mount Prospect, IL (US); **Michael Ksiazek**, Burr Ridge, IL (US)

(73) Assignee: **O2COOL, LLC**, Northbrook, IL (US)

(\*) Notice: This patent is subject to a terminal disclaimer.

(\*\*) Term: **15 Years**

(21) Appl. No.: **29/630,505**

(22) Filed: **Dec. 21, 2017**

(51) **LOC (11) Cl.** ..... **07-01**

(52) **U.S. Cl.**  
USPC ..... **D7/507; D7/510; D7/529**

(58) **Field of Classification Search**  
USPC ..... D7/505, 507, 509, 510, 511, 523, 532, D7/608, 300.1, 213, 392.1, 396.2, 387, D7/396.6, 624.1, 624.2, 529; D9/500, D9/501, 502, 503, 504, 505, 516, 530, D9/556, 569, 537, 549, 557, 546; D14/216, 221, 204, 209.1, 215, 217, 212; D28/9, 76, 82, 88  
CPC . A47G 19/2205; A47G 19/2272; A47J 43/27; A47J 41/02; A45F 3/16  
See application file for complete search history.

(56) **References Cited**

**U.S. PATENT DOCUMENTS**

3,155,263	A	11/1964	Hidding
3,978,233	A	8/1976	Bolt
5,222,656	A	6/1993	Carlson
D374,516	S	10/1996	Lillelund et al.
5,573,152	A	11/1996	Arnold

D398,478	S	*	9/1998	Spencer	.....	D7/510
D412,087	S	*	7/1999	Spencer	.....	D7/510
D412,938	S		8/1999	Kesselring et al.		
D423,300	S	*	4/2000	Matsuyama	.....	D7/608
D427,909	S	*	7/2000	Doritty	.....	D9/500
6,119,888	A	*	9/2000	Goto	.....	A47J 41/0083 215/13.1
D480,308	S		10/2003	Grisdale et al.		
D489,256	S		5/2004	Kelleghan		
D503,309	S		3/2005	Yu		
D503,589	S		4/2005	Schuler		

(Continued)

**OTHER PUBLICATIONS**

“Mist ’N Sip”, URL: <https://www.o2-cool.com/mist-n-sip>, 2 pages, retrieved Dec. 20, 2017.

(Continued)

*Primary Examiner* — Marianne N Pandozzi

*Assistant Examiner* — Jae Liang

(74) *Attorney, Agent, or Firm* — Thompson Coburn LLP

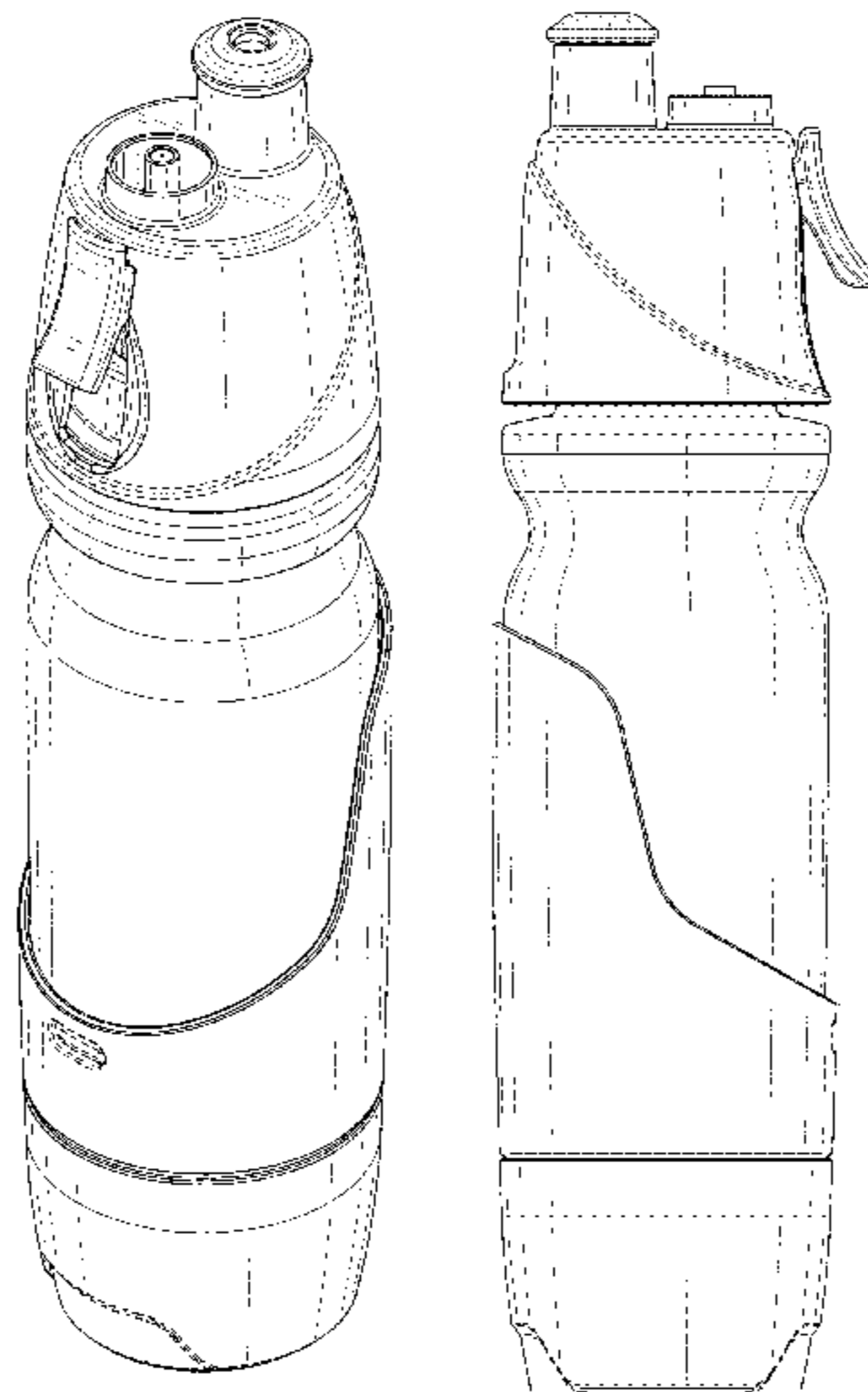
(57) **CLAIM**

The ornamental design for a carrying container with water bottle, as shown and described.

**DESCRIPTION**

FIG. 1 is a perspective view of a carrying container with water bottle showing our new design;  
FIG. 2 is a front view thereof;  
FIG. 3 is a rear view thereof;  
FIG. 4 is a left side view thereof;  
FIG. 5 is a right side view thereof;  
FIG. 6 is a top view thereof; and,  
FIG. 7 is a bottom view thereof.  
The broken lines immediately adjacent the shaded areas represent the bounds of the claimed design while all other broken lines depict portions of the carrying container with water bottle only; the broken lines form no part of the claimed design.

**1 Claim, 6 Drawing Sheets**



(56)

References Cited

U.S. PATENT DOCUMENTS

D540,625 S \* 4/2007 Sandberg ..... D7/608  
 D571,214 S 6/2008 Caszatt  
 D586,183 S \* 2/2009 Junkel ..... D7/511  
 D588,921 S 3/2009 Williams  
 D594,708 S 6/2009 Silverstein et al.  
 D629,644 S \* 12/2010 Zhuang ..... D7/392.1  
 D657,196 S 4/2012 Beyers, III  
 8,365,941 B2 2/2013 Mayer  
 D684,432 S 6/2013 Stein et al.  
 D687,661 S \* 8/2013 Cetera ..... D7/300.1  
 D709,387 S 7/2014 Marina et al.  
 D756,791 S 5/2016 Tomasson et al.  
 D758,132 S \* 6/2016 Breit ..... D7/510  
 D759,495 S 6/2016 Hawry  
 D764,231 S 8/2016 Szymanski  
 D767,993 S 10/2016 Joshi et al.  
 D786,018 S 5/2017 Willows et al.  
 D786,617 S \* 5/2017 Breit ..... D7/509  
 D829,507 S \* 10/2018 Breit ..... D7/529

D830,118 S \* 10/2018 Ksiazek ..... D7/392.1  
 2007/0145108 A1 6/2007 Dexel et al.  
 2008/0006718 A1\* 1/2008 Junkel ..... A45F 3/16  
 239/333  
 2011/0204048 A1 8/2011 Carino et al.  
 2012/0193316 A1 8/2012 Starks  
 2013/0014519 A1\* 1/2013 Bucceri ..... A47G 19/2288  
 62/66  
 2015/0272360 A1 10/2015 Knowlton  
 2015/0359366 A1 12/2015 Yan et al.  
 2018/0086519 A1\* 3/2018 Giuliano ..... A47J 43/27

OTHER PUBLICATIONS

“ArcticSqueeze Mist ‘N Sip—20oz.”, URL: [https://www.o2-cool.com/HMCSP06?page\\_id=852](https://www.o2-cool.com/HMCSP06?page_id=852), 2 pages, retrieved Dec. 20, 2017.  
 “Sip ‘N Share”, URL: <https://www.o2-cool.com/sip-n-share%E2%84%A2>, 1 page, retrieved Dec. 20, 2017.  
 “Sip ‘N Share—0.5L”, URL: [https://www.o2-cool.com/phb0017?page\\_id=1010](https://www.o2-cool.com/phb0017?page_id=1010), 1 page, retrieved Dec. 20, 2017.

\* cited by examiner

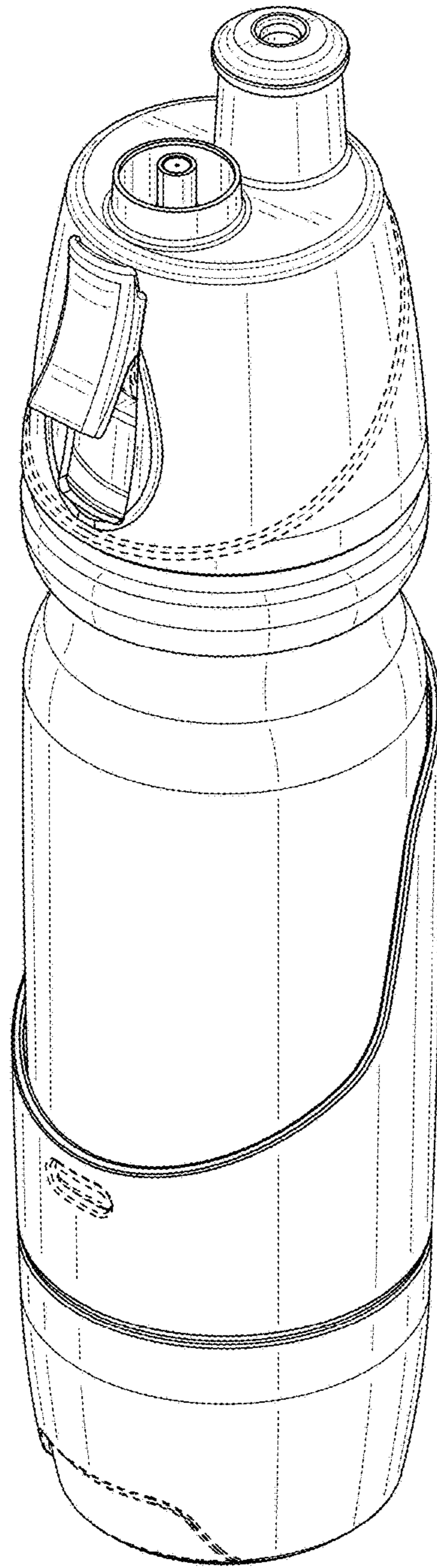


FIG. 1

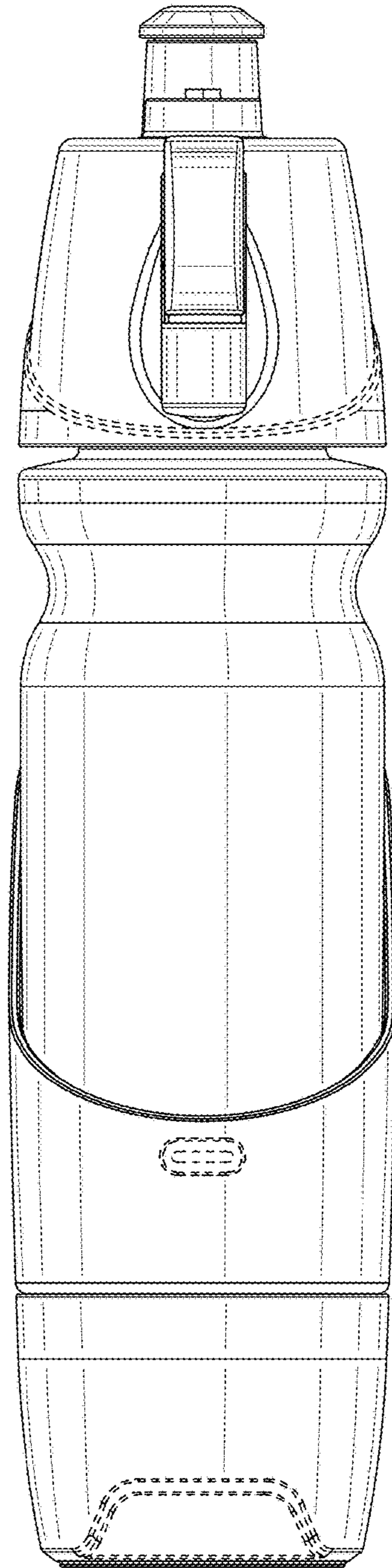


FIG. 2



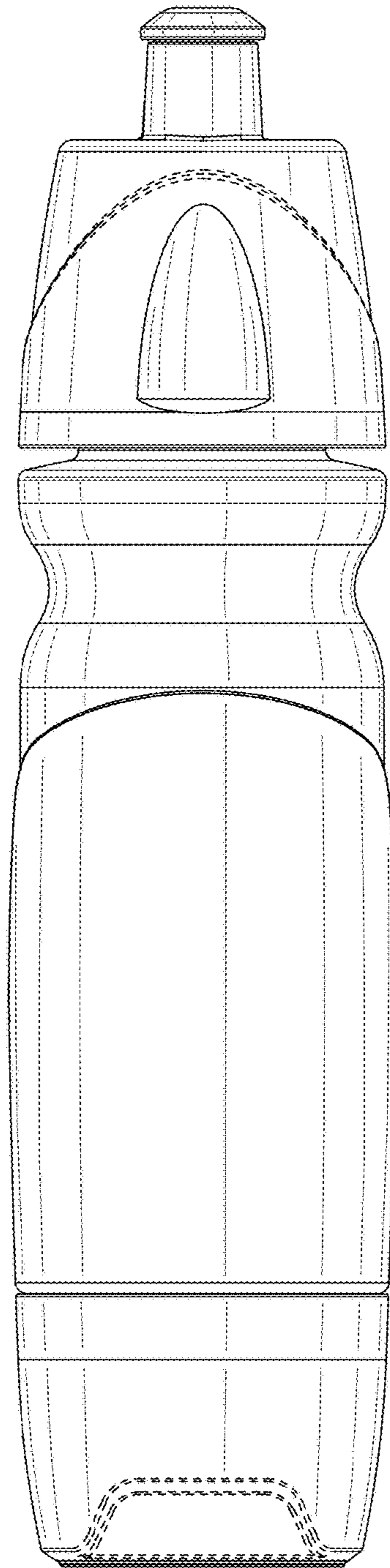


FIG. 3

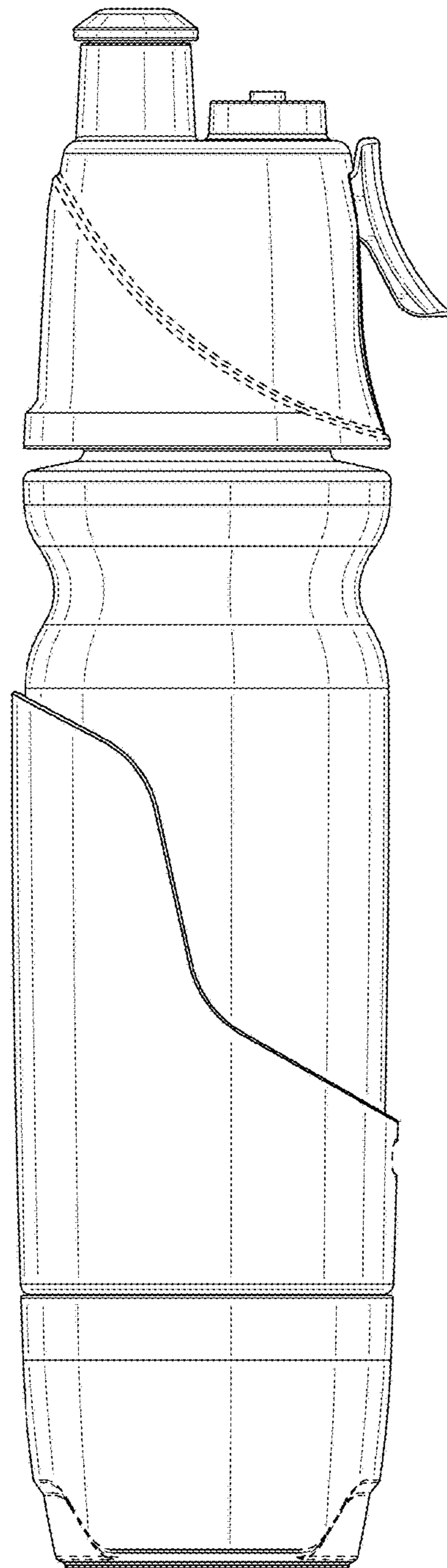


FIG. 4

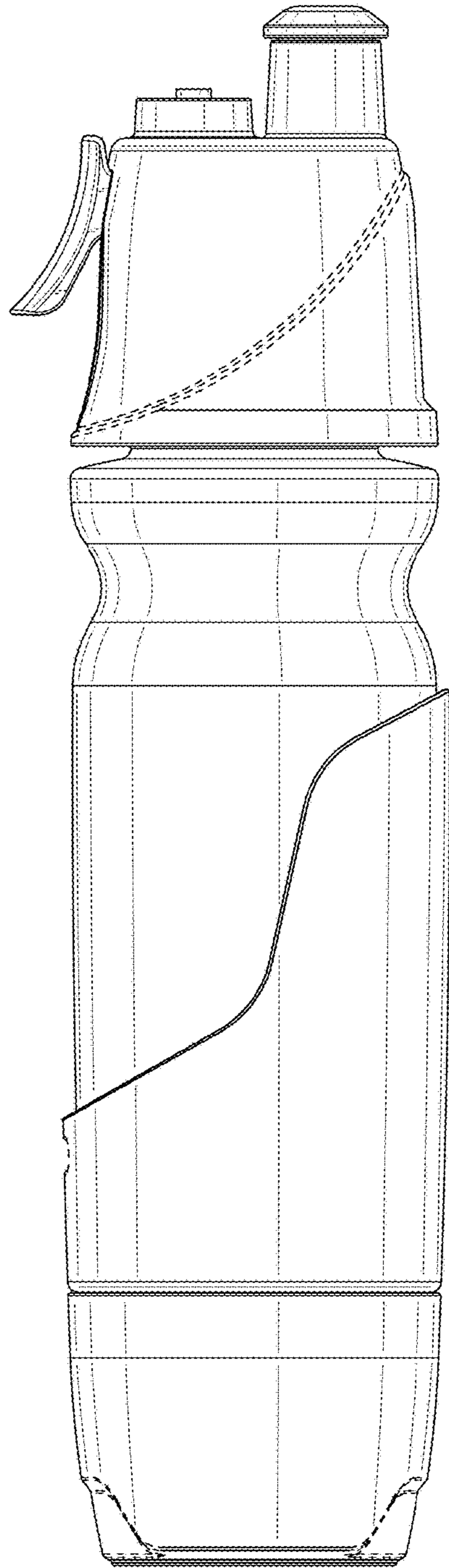


FIG. 5

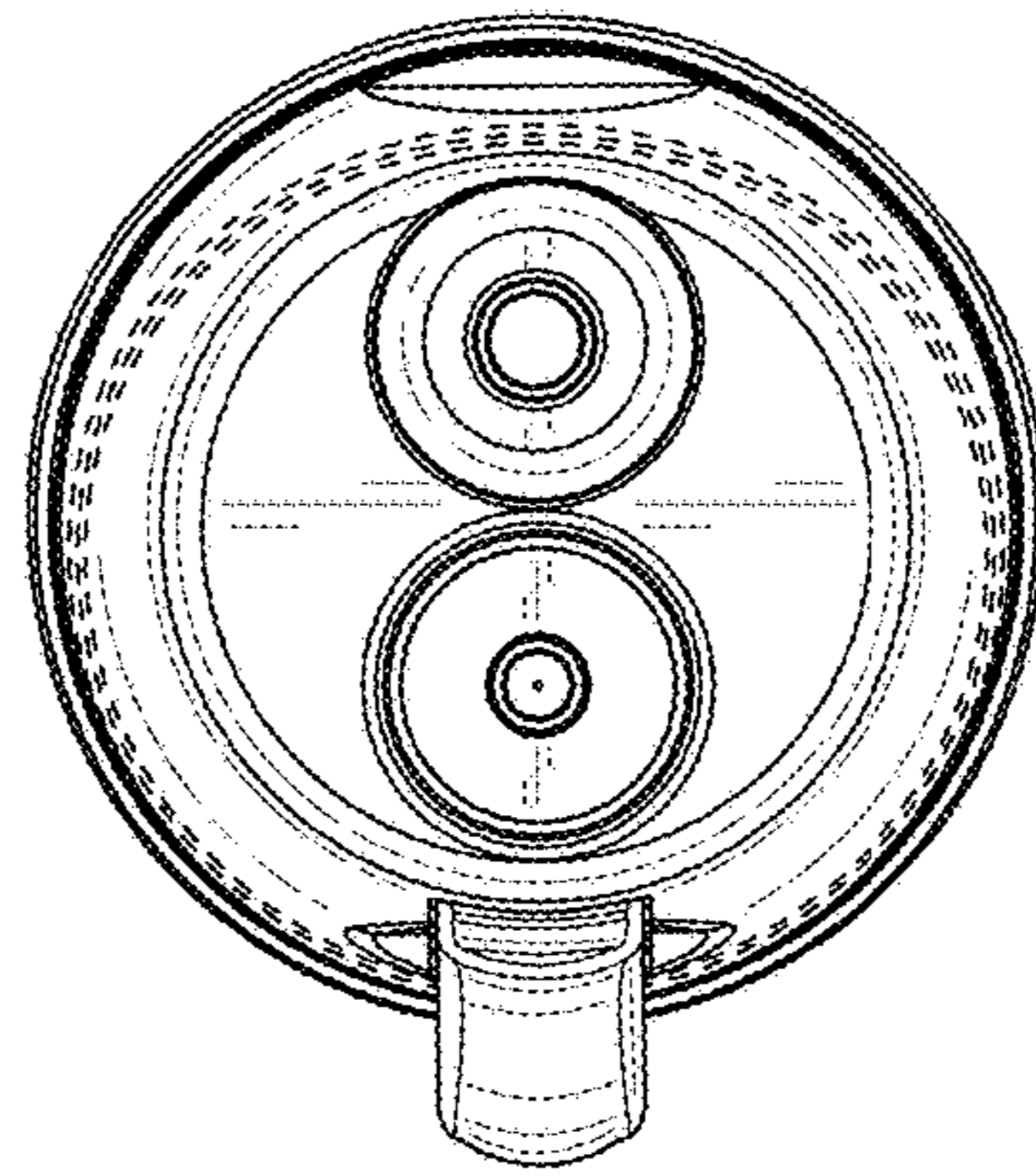


FIG. 6

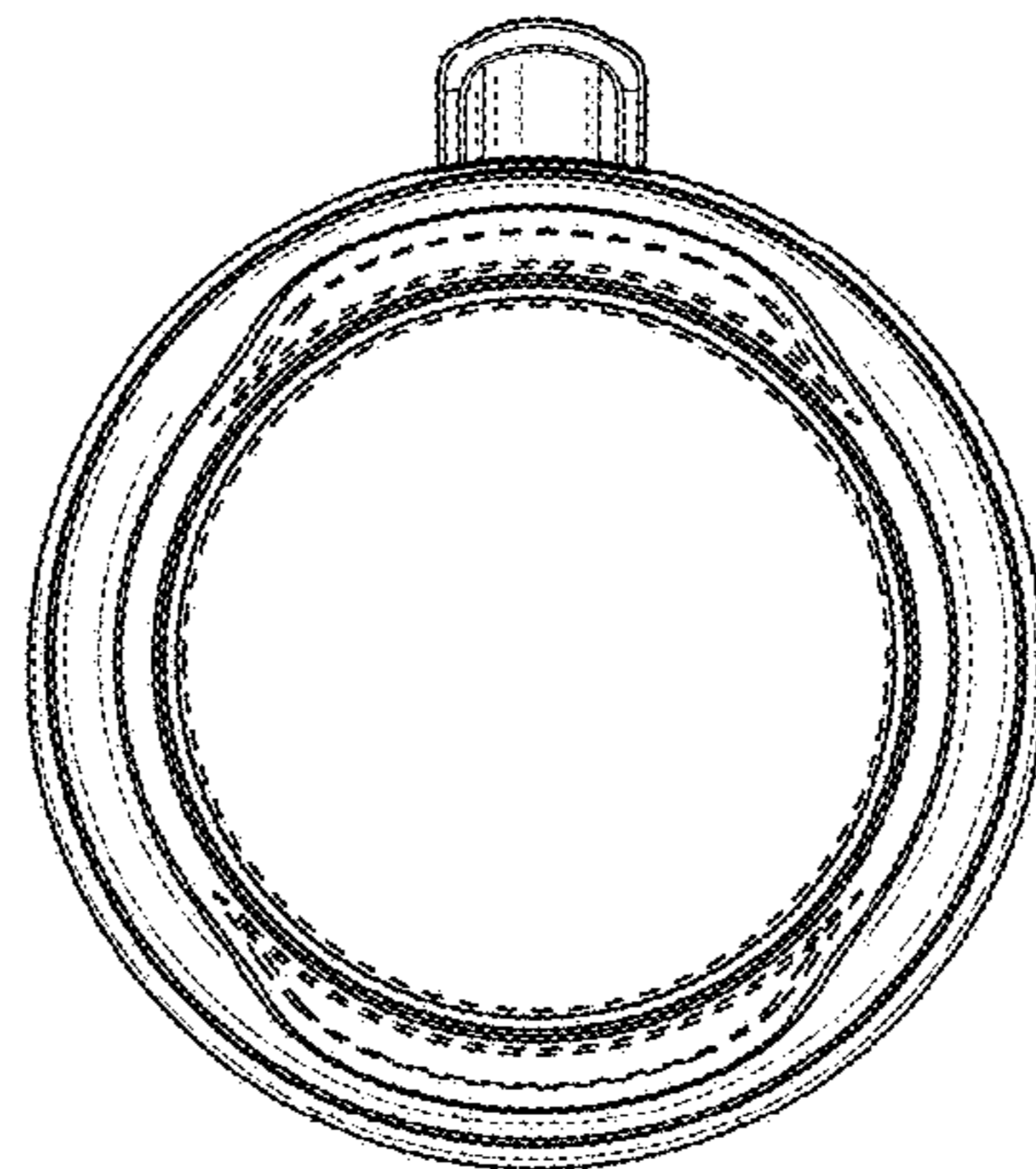


FIG. 7