



US00D854377S

(12) **United States Design Patent** (10) **Patent No.:** **US D854,377 S**  
**Merriman** (45) **Date of Patent:** **\*\* Jul. 23, 2019**

(54) **SKEWER STAND**

(71) Applicant: **John Andrew Merriman**, Lubbock, TX (US)

(72) Inventor: **John Andrew Merriman**, Lubbock, TX (US)

(\*\*) Term: **15 Years**

(21) Appl. No.: **29/642,796**

(22) Filed: **Apr. 2, 2018**

**Related U.S. Application Data**

(63) Continuation-in-part of application No. 15/223,805, filed on Jul. 29, 2016, now abandoned.

(60) Provisional application No. 62/199,411, filed on Jul. 31, 2015.

(51) **LOC (11) Cl.** ..... **07-02**

(52) **U.S. Cl.**  
USPC ..... **D7/409**

(58) **Field of Classification Search**  
USPC ..... D7/323, 332, 335-338, 354-355, D7/359-364, 387-388, 402, 407-409  
CPC .... A21B 2/00; A21B 3/00; A21B 3/13; A21B 3/15; A21B 5/00; A21B 5/02; A47J 43/18; A47J 37/00; A47J 37/04; A47J 37/041; A47J 37/042; A47J 37/049; A47J 37/06; A47J 37/067; A47J 37/0676; A47J 37/0688; A47J 37/0694; A47J 37/07; A47J 37/0704; A47J 37/10; A47J 47/20; A47J 2037/00; A47J 2037/06; A47J 2037/0611; A47J 2037/07; A47J 2037/0786; A47J 2037/0795; A23N 12/06; A23N 12/08; A23N 12/10; B42F 17/02; F24C 15/10; F24C 15/12; F24C 15/14; F24C 15/16; F24C 15/164; F24C 15/18

See application file for complete search history.

(56) **References Cited**

**U.S. PATENT DOCUMENTS**

2,520,389	A *	8/1950	Ferris .....	A47J 37/0694
				211/195
D195,687	S *	7/1963	Petroff .....	D7/409
3,232,439	A *	2/1966	Dahl, Jr. ....	B42F 17/02
				211/10
3,297,166	A *	1/1967	Summers .....	A47J 37/0694
				211/60.1
3,566,776	A *	3/1971	Young .....	A47J 43/18
				99/426
3,858,495	A *	1/1975	Gotwalt .....	A47J 37/0694
				99/421 A
4,078,478	A *	3/1978	Geisel .....	A47J 37/049
				99/421 H
D252,128	S *	6/1979	Olson .....	99/419
D277,540	S *	2/1985	Thomas .....	D7/337
5,887,513	A *	3/1999	Fielding .....	A47J 37/04
				99/419
5,996,820	A *	12/1999	Broadnax .....	A22C 15/007
				211/125

(Continued)

*Primary Examiner* — Ricky Pham

(74) *Attorney, Agent, or Firm* — Dunlap Bennett & Ludwig PLLC

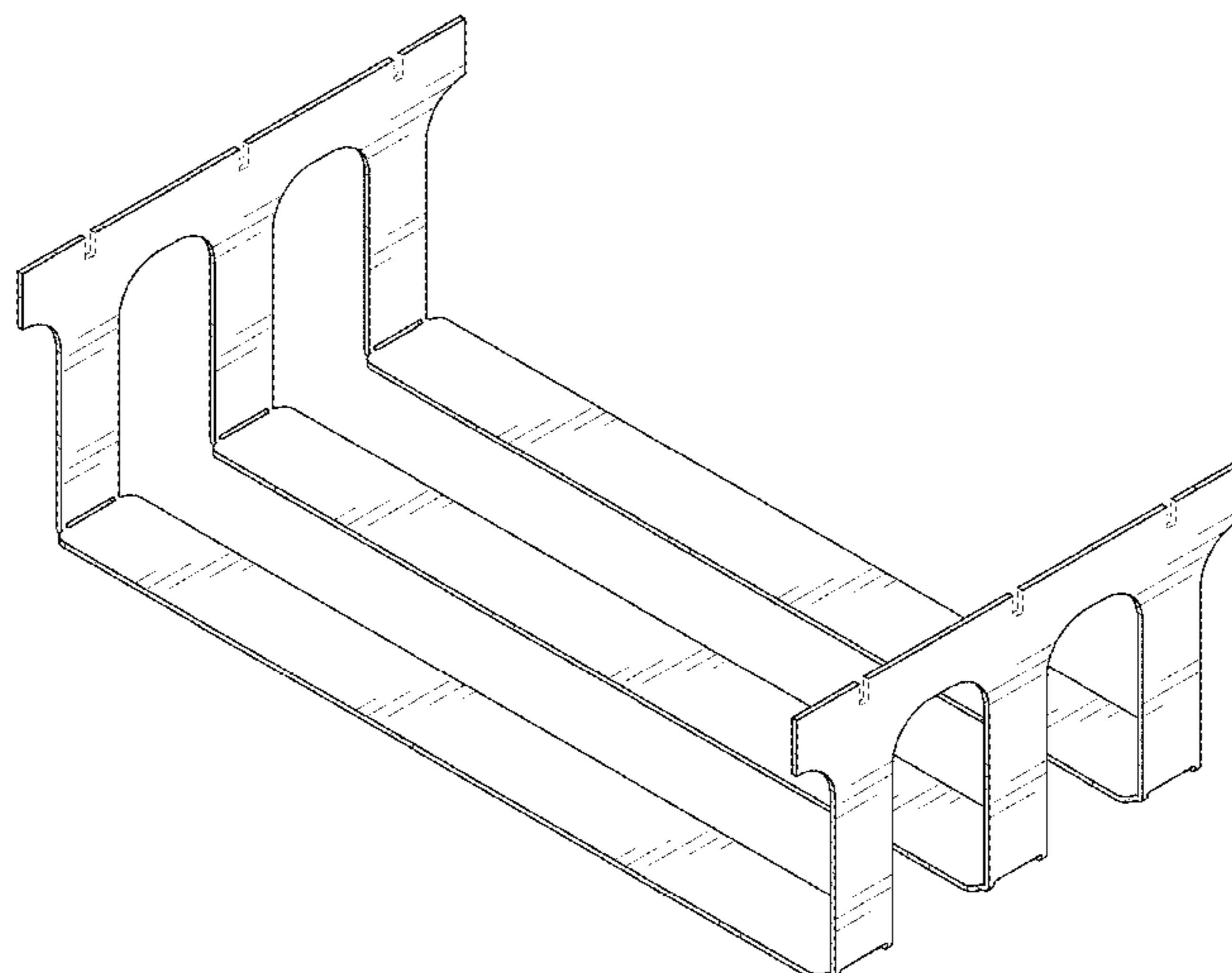
(57) **CLAIM**

The ornamental design for a skewer stand, as shown and described.

**DESCRIPTION**

FIG. 1 is a top perspective view of a skewer stand; FIG. 2 is a right side elevation view thereof, the left side elevation view being a mirror image thereof; FIG. 3 is a front elevation view thereof, the rear elevation view being a mirror image thereof; FIG. 4 is a top elevation view thereof; and, FIG. 5 is a bottom elevation view thereof. The broken lines shown in the drawings depict portions of skewer holders that form no part of the claimed invention.

**1 Claim, 3 Drawing Sheets**



(56)

**References Cited**

U.S. PATENT DOCUMENTS

6,837,151 B2 \* 1/2005 Chen ..... A47J 37/042  
99/419

D555,977 S \* 11/2007 Gonzalez ..... D7/409

\* cited by examiner

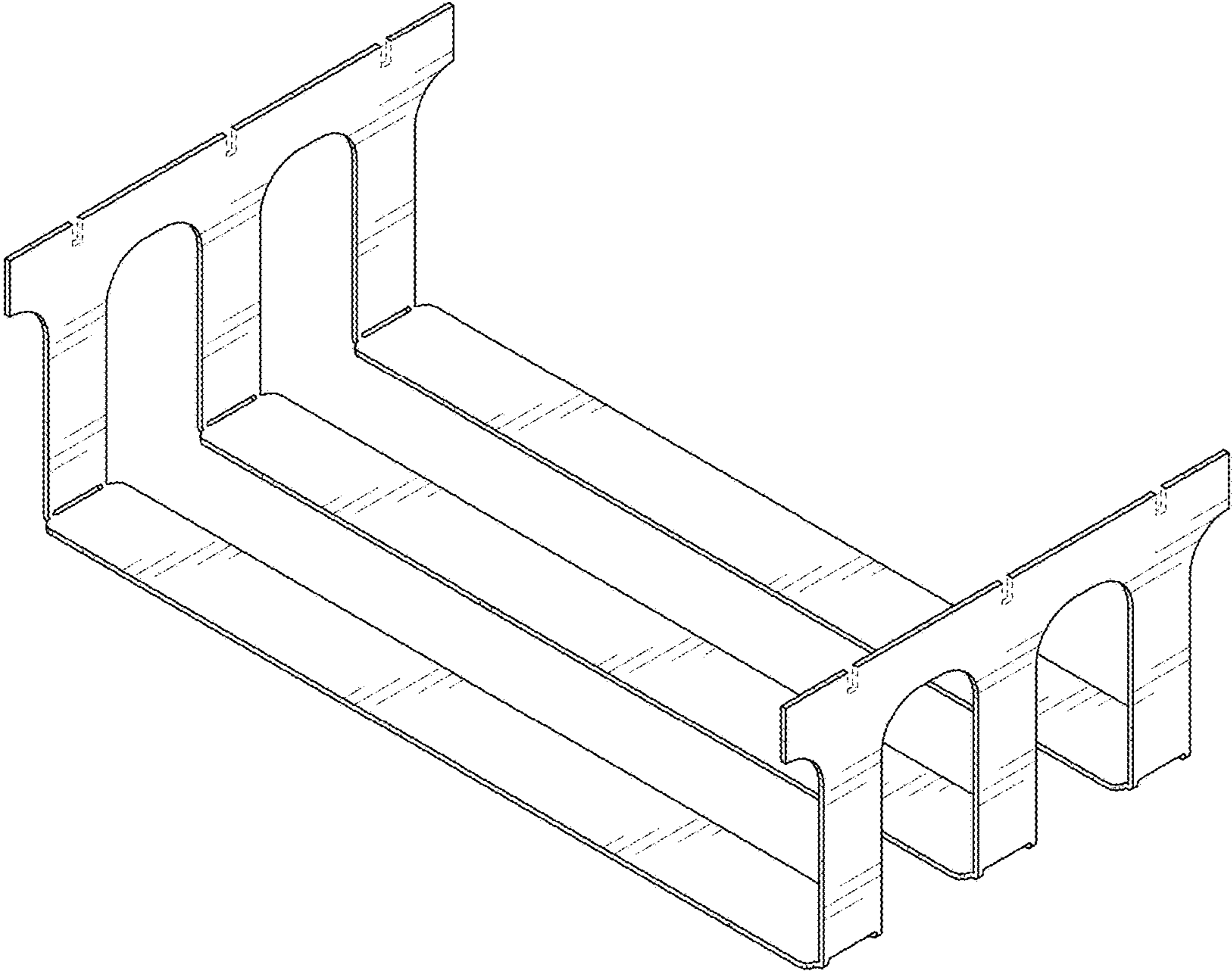


FIG.1



FIG. 2

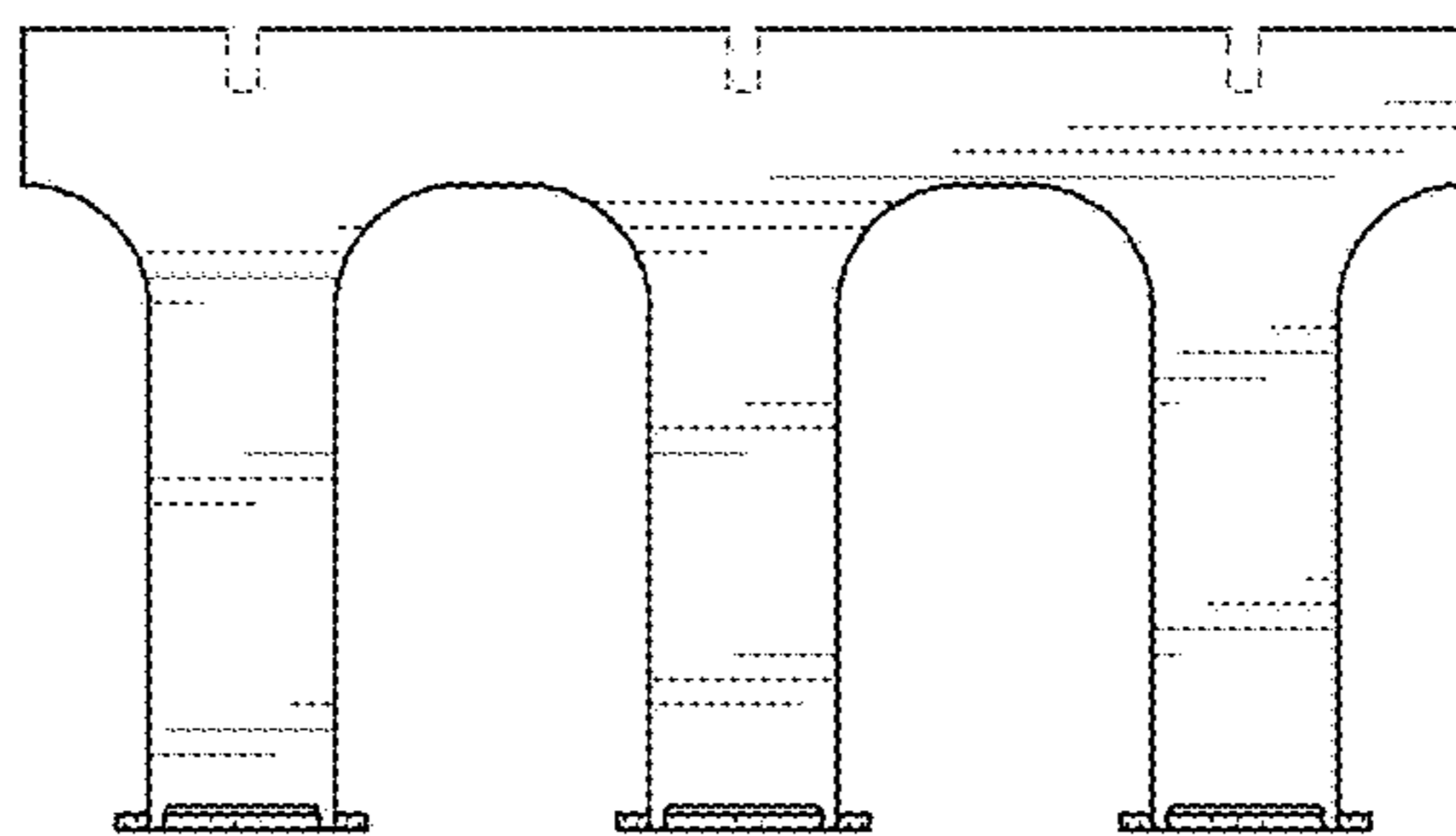


FIG. 3

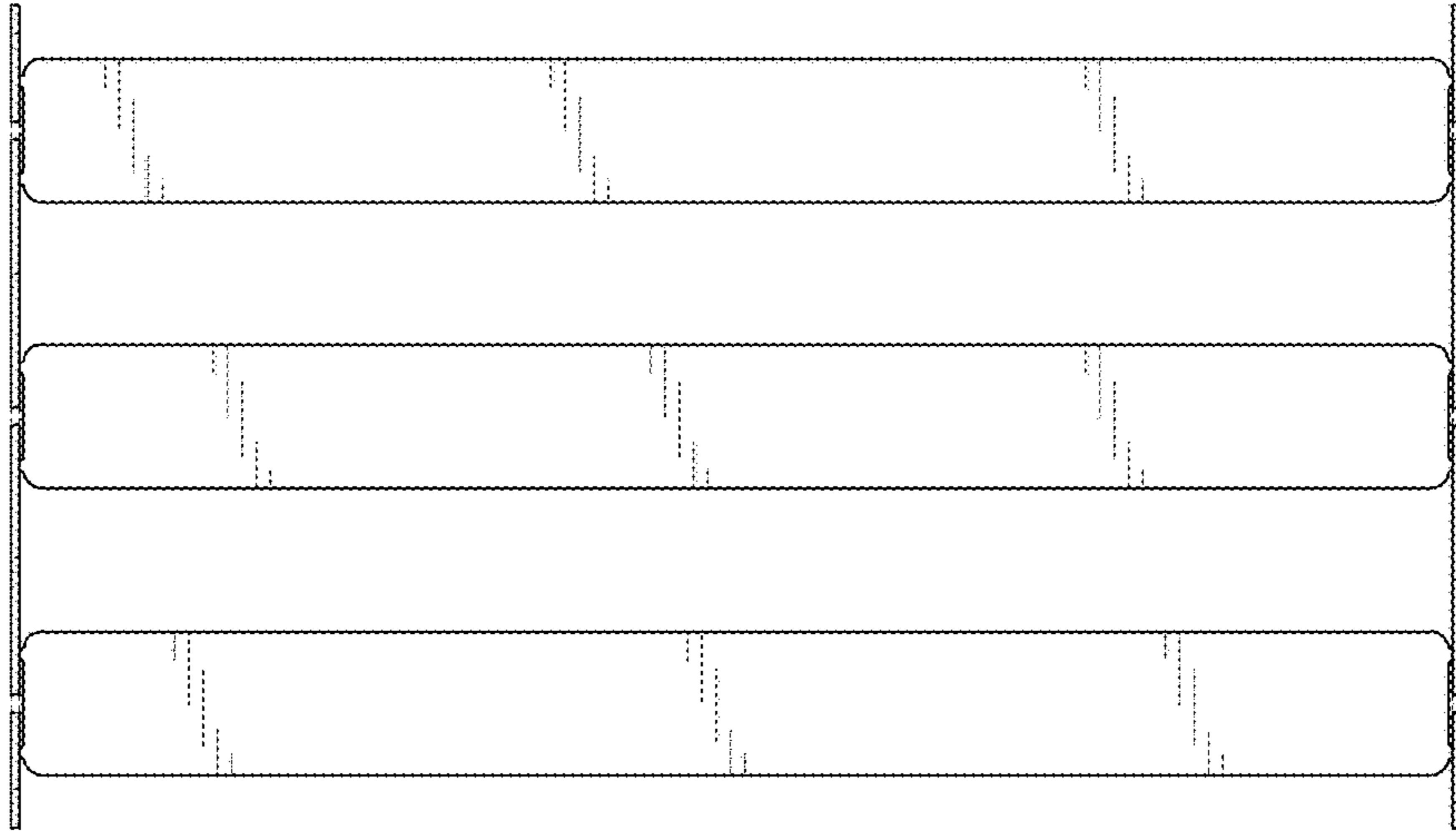


FIG. 4

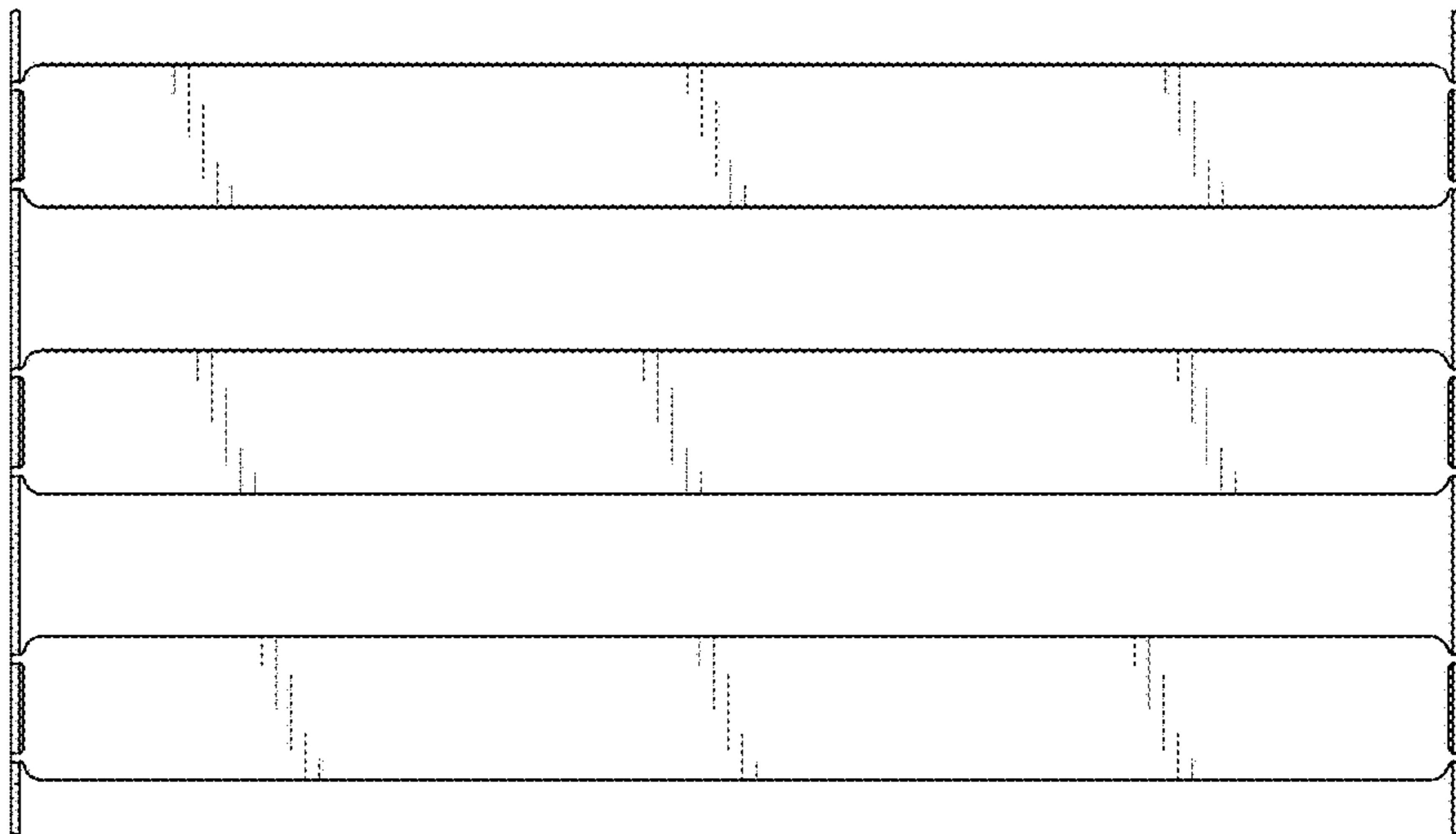


FIG. 5