



US00D854374S

(12) **United States Design Patent** (10) **Patent No.:** **US D854,374 S**
Heuberger (45) **Date of Patent:** **** Jul. 23, 2019**

(54) **UTENSIL** 2,798,702 A * 7/1957 Fjellstedt A47J 43/126
261/122.1
(71) Applicant: **Theresa D. Heuberger**, Goldendale, WA (US) D299,303 S * 1/1989 Strobel D7/667
D313,533 S * 1/1991 Rixen D7/380
6,394,640 B1 * 5/2002 Astegno A47J 43/0711
366/129
(72) Inventor: **Theresa D. Heuberger**, Goldendale, WA (US) D488,339 S * 4/2004 Lee D7/300.2
D527,959 S * 9/2006 Fung D7/690
D541,601 S * 5/2007 Fung D7/690
D542,102 S * 5/2007 Cheung D7/690
D749,375 S * 2/2016 Makela D7/688
(**) Term: **15 Years** 9,521,930 B2 * 12/2016 Gattineri A47J 43/288
2018/0263821 A1 * 9/2018 Giaquinto A61F 13/38

(21) Appl. No.: **29/632,295**
(22) Filed: **Jan. 5, 2018**
(51) **LOC (11) Cl.** **07-03**
(52) **U.S. Cl.**
USPC **D7/401.2; D7/653**
(58) **Field of Classification Search**
USPC D7/300.2, 368, 380, 401.2, 642-645,
D7/653-664, 667, 669, 675-677, 683,
D7/688-691; D8/107, 300-301;
D22/117-118
CPC ... A01D 9/02; A01D 9/04; A01D 9/06; A47G
21/00; A47G 21/004; A47G 21/005;
A47G 21/02; A47G 21/023; A47G 21/04;
A47G 21/06; A47G 21/08; A47J 43/0711;
A47J 43/28; A47J 43/126; A47J 43/281;
A47J 43/282; A47J 43/288; A47J
43/1068; A61F 13/10; A61F 13/38; A61J
7/0023; B25G 1/00; B25G 1/01; B25G
1/02; B25G 3/00; B65D 75/56; B65D
75/563; B65D 75/566; B67B 7/00; B67B
7/724; B67B 7/73
See application file for complete search history.

* cited by examiner

Primary Examiner — Ricky Pham
(74) *Attorney, Agent, or Firm* — K&L Gates LLP; Louis C. Cullman; Benjamin D. Heuberger

(57) **CLAIM**

The ornamental design for a utensil, as shown and described.

DESCRIPTION

FIG. 1 depicts a front view of a utensil of my design.
FIG. 2 depicts a top view of the utensil of FIG. 1.
FIG. 3 depicts a bottom view of the utensil of FIG. 1.
FIG. 4 depicts a first side view of the utensil of FIG. 1.
FIG. 5 depicts a second side view of the utensil of FIG. 1.
FIG. 6 depicts a third side view of the utensil of FIG. 1; and,
FIG. 7 depicts a fourth side view of the utensil of FIG. 1.
Broken lines are included for the purpose of illustrating environmental structure and form no part of the claimed design.

(56) **References Cited**
U.S. PATENT DOCUMENTS
1,960,089 A * 5/1934 Rabb A47J 43/1068
15/120.2
D154,752 S * 8/1949 De Martino D7/380

1 Claim, 3 Drawing Sheets

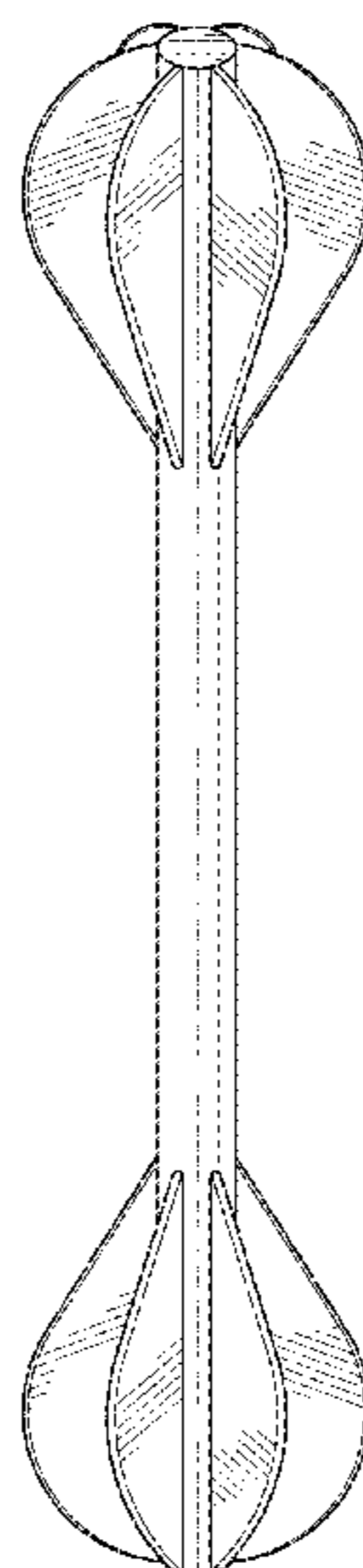


FIG. 1

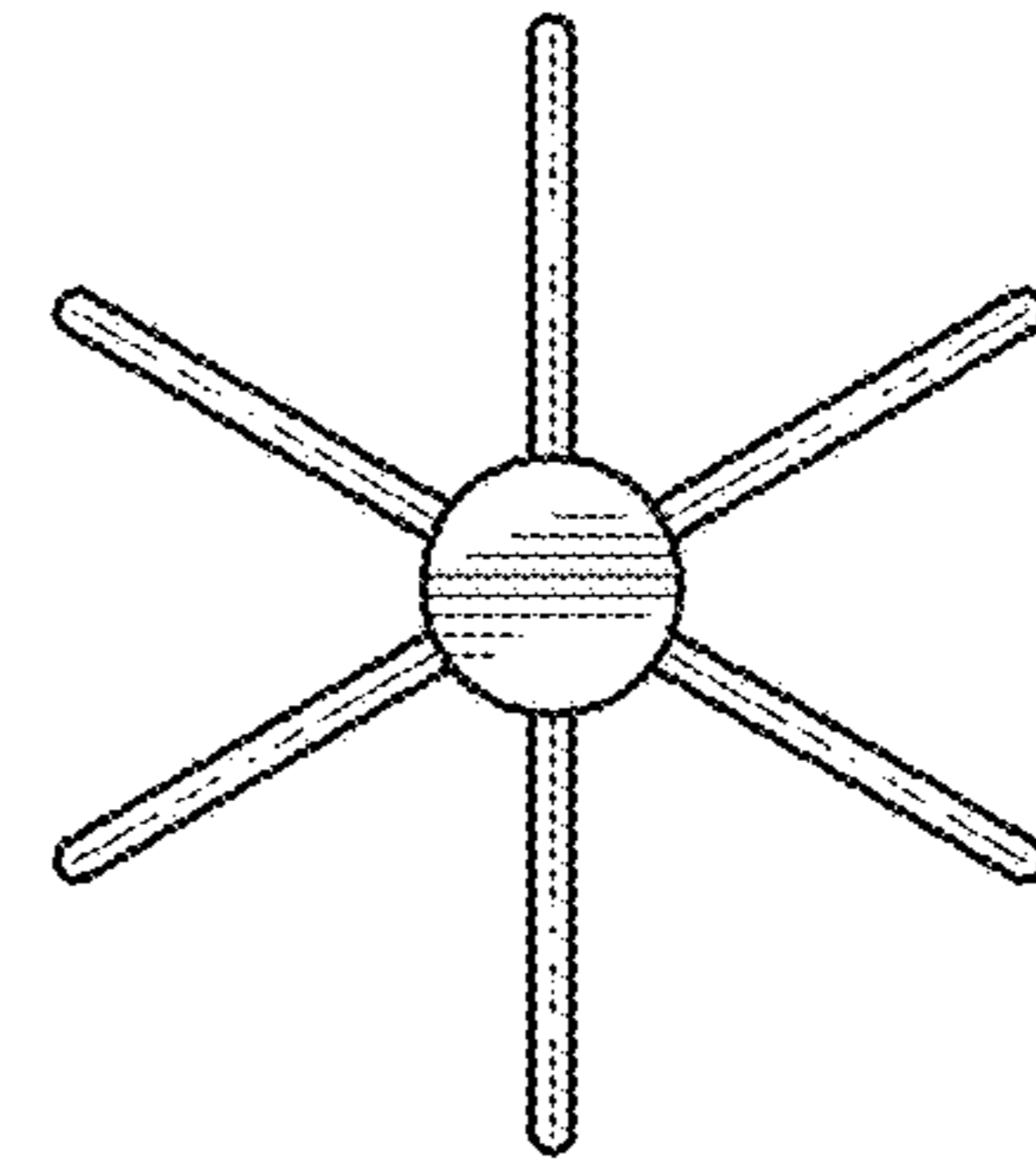
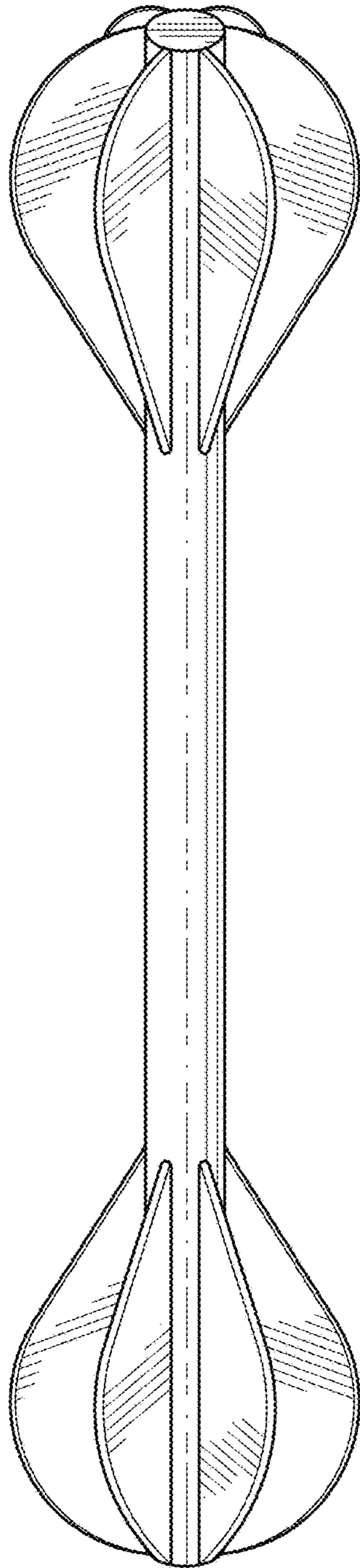


FIG. 2

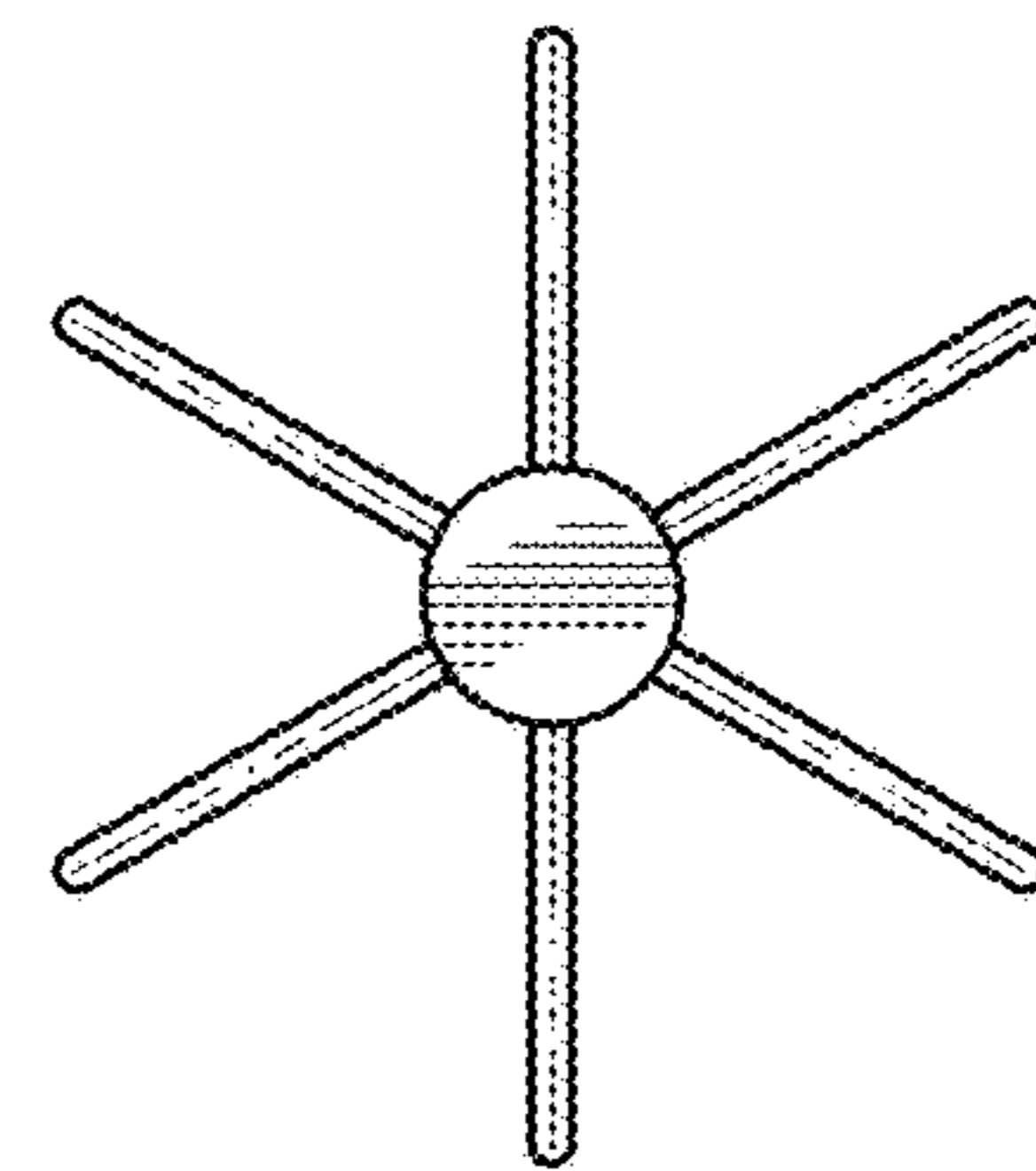


FIG. 3

FIG. 4

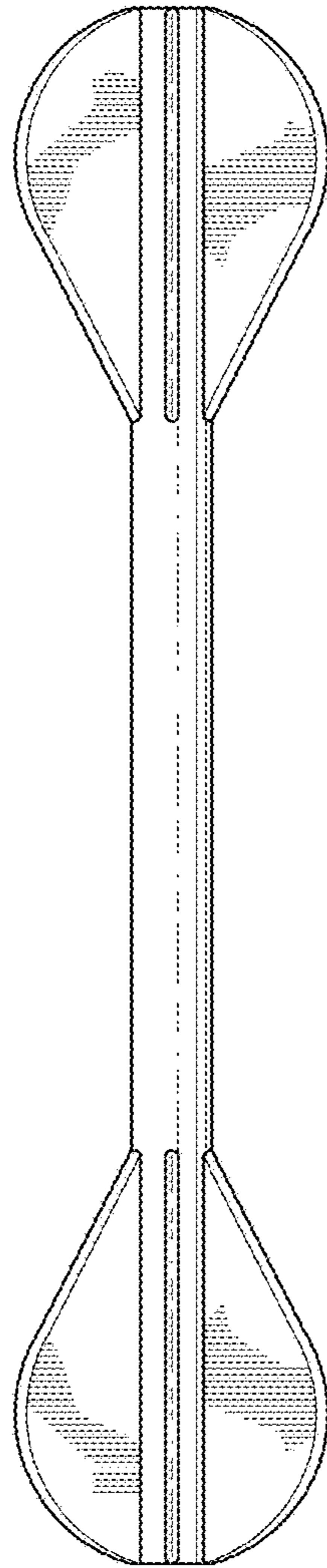


FIG. 5

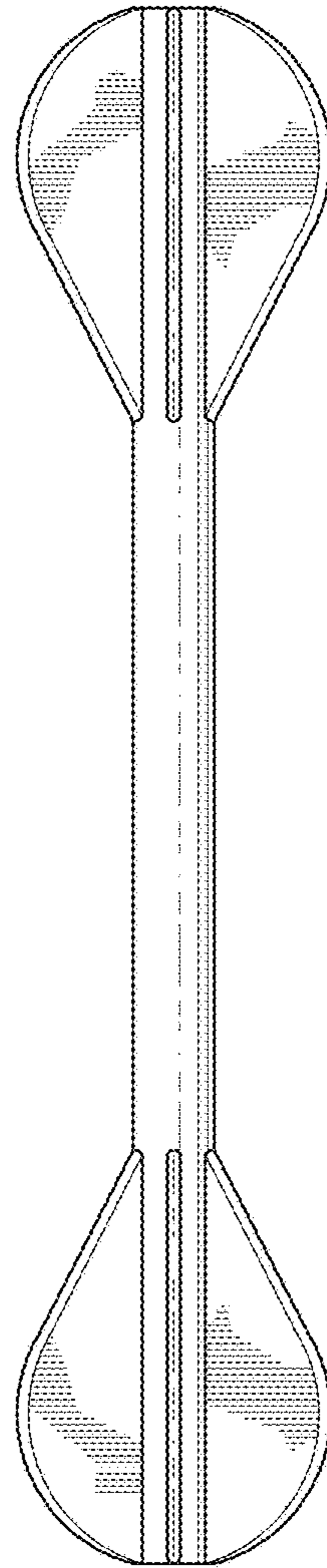


FIG. 6

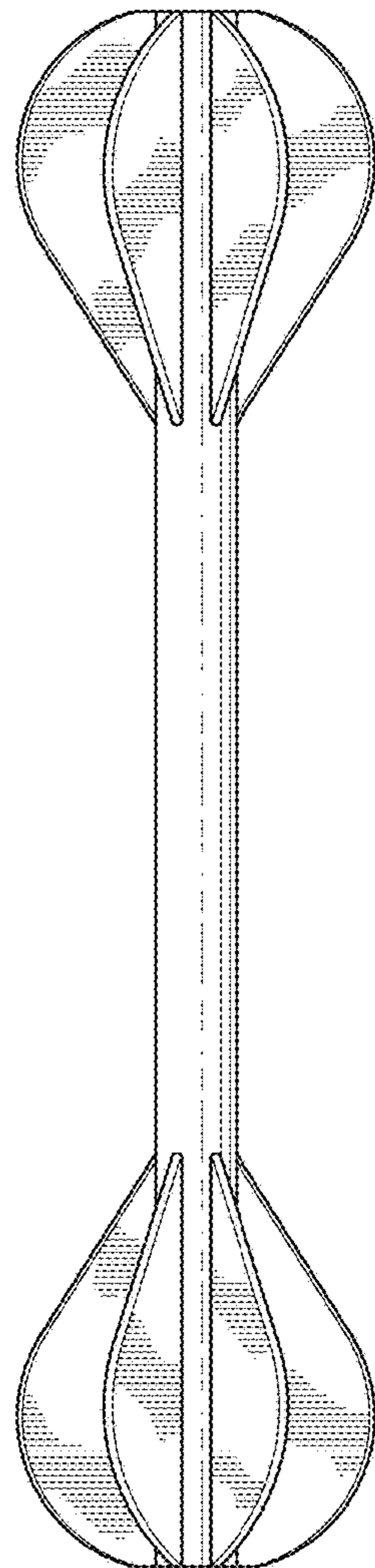


FIG. 7

