



US00D854372S

(12) **United States Design Patent**
Pentelovitch et al.

(10) **Patent No.:** **US D854,372 S**
(45) **Date of Patent:** **** *Jul. 23, 2019**

(54) **CONTAINER LID**

(71) Applicant: **Helen of Troy Limited**, Belleville, St. Michael (BB)

(72) Inventors: **Noah Ziman Pentelovitch**, New York, NY (US); **Conor Patrick McNamara**, Montclair, NJ (US); **Makiko Kida**, Chiba (JP); **Tamotsu Matsumoto**, Chiba (JP); **Nobuyuki Ogasawara**, Chiba (JP); **Yoshinori Nagata**, Chiba (JP)

(73) Assignee: **Helen of Troy Limited**, St. Michael (BB)

(*) Notice: This patent is subject to a terminal disclaimer.

(**) Term: **15 Years**

(21) Appl. No.: **29/631,358**

(22) Filed: **Dec. 29, 2017**

(51) **LOC (11) Cl.** **07-02**

(52) **U.S. Cl.**
USPC **D7/391**

(58) **Field of Classification Search**

USPC D7/391, 392, 392.1, 393, 397, 601-602, D7/615, 629-630, 538-542; D9/414, D9/424-432, 435, 439, 451-452; D26/85
CPC A47J 36/027; A47J 36/06; A47J 37/10; A47J 37/101; B65D 21/0209; B65D 21/0219; B65D 43/00; B65D 43/02; B65D 43/0206; B65D 43/022; B65D 43/161; B65D 43/162; B65D 45/00; B65D 45/16; B65D 45/18; B65D 45/32; B65D 51/16; B65D 51/1683; B65D 51/1688; B65D 51/1694; B65D 2251/00; B65F 1/1615

See application file for complete search history.

(56) **References Cited**

U.S. PATENT DOCUMENTS

D162,579 S * 3/1951 Roop D7/615

D282,044 S * 1/1986 McClelland D7/391
D351,792 S * 10/1994 Morris, Sr. D9/425
(Continued)

OTHER PUBLICATIONS

<https://www.oxo.com/products/storage-organization/food/pop-container-rectangle-0-5-qt-0-5I>(website published prior to Dec. 29, 2016).
(Continued)

Primary Examiner — Ricky Pham
(74) *Attorney, Agent, or Firm* — Rankin, Hill & Clark LLP

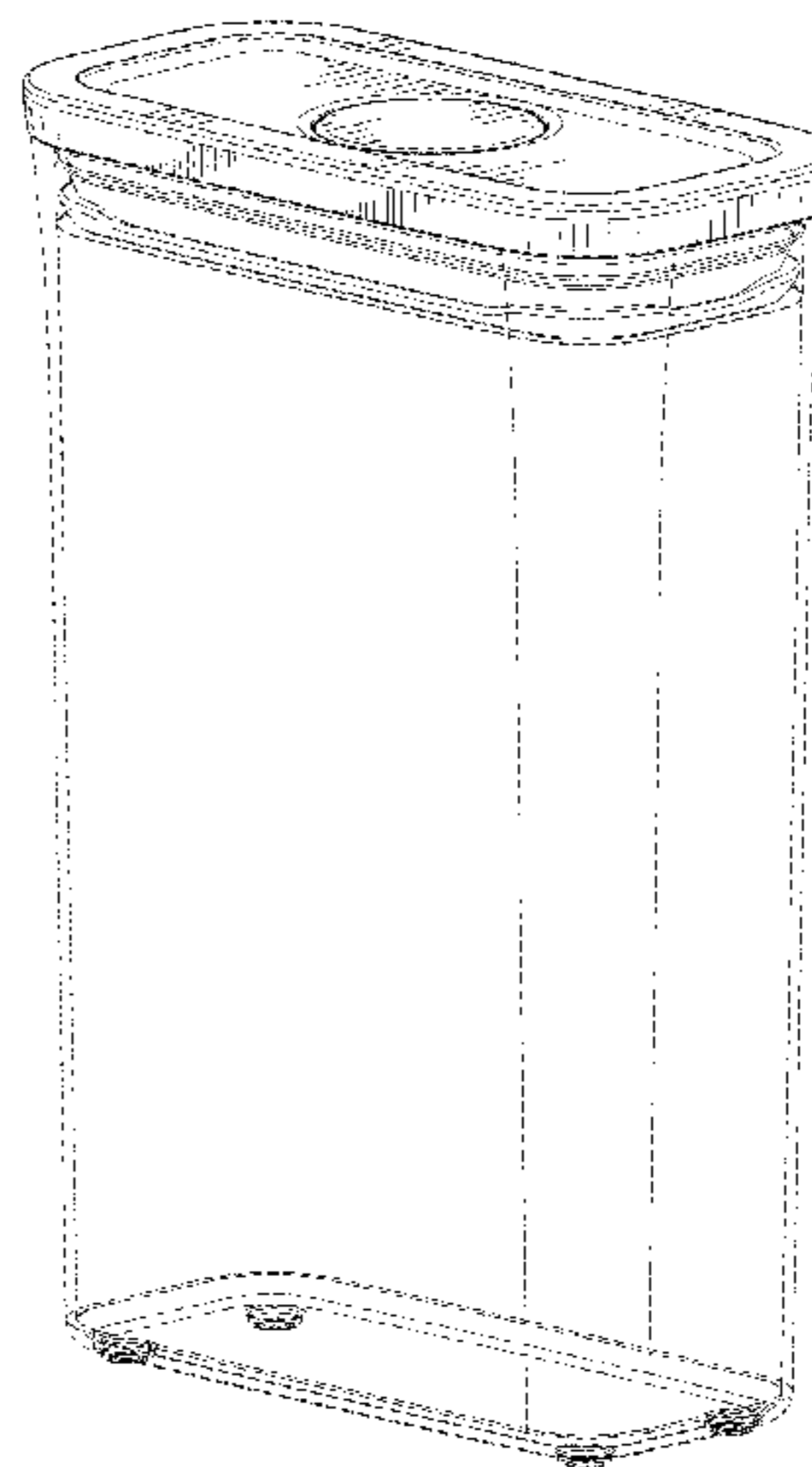
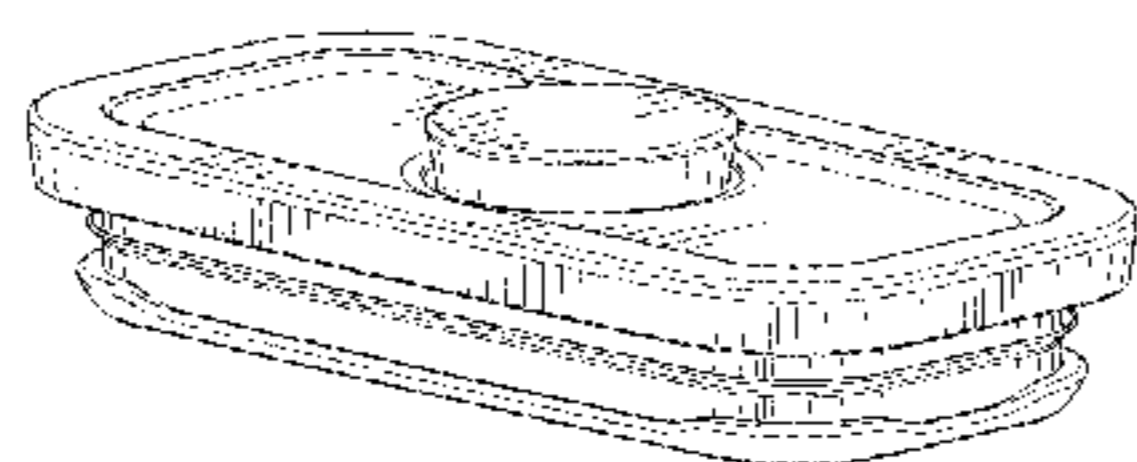
(57) **CLAIM**

The ornamental design for a container lid, as shown and described.

DESCRIPTION

FIG. 1 is a perspective view of a container lid with a button shown in an extended position;
FIG. 2 is another upper perspective view thereof with the button in a depressed position;
FIG. 3 is a lower perspective view thereof;
FIG. 4 is a front elevation view thereof with the button in the extended position, and the rear being identical;
FIG. 5 is a front elevation view thereof with the button in the depressed position, and the rear being identical;
FIG. 6 is a side elevation view thereof with the button in the extended position, and the opposite side being identical;
FIG. 7 is a side elevation view thereof with the button in the depressed position, and the opposite side being identical;
FIG. 8 is a top plan view thereof;
FIG. 9 is a bottom plan view thereof; and,
FIG. 10 is another upper perspective view thereof with the button in a depressed position.
The broken lines in the drawings form no part of the claimed design.

1 Claim, 10 Drawing Sheets



(56)

References Cited

U.S. PATENT DOCUMENTS

D403,582 S * 1/1999 Nask D9/435
5,896,993 A * 4/1999 Nask B65D 21/0219
206/508
D540,669 S * 4/2007 George D7/392.1
D562,640 S * 2/2008 Tucker D7/542
D572,086 S 7/2008 Matsumoto
D610,412 S * 2/2010 Matsumoto D7/629
D655,158 S * 3/2012 Drozek D9/435
D655,850 S * 3/2012 Sabernig D26/85
D765,508 S * 9/2016 Wu D9/439
D817,701 S * 5/2018 Ho D7/391
2018/0016065 A1 * 1/2018 Ho B65D 45/32

OTHER PUBLICATIONS

<https://www.target.com/s/oxo+softworks+pop+containers> (website published prior to Dec. 29, 2016).

* cited by examiner

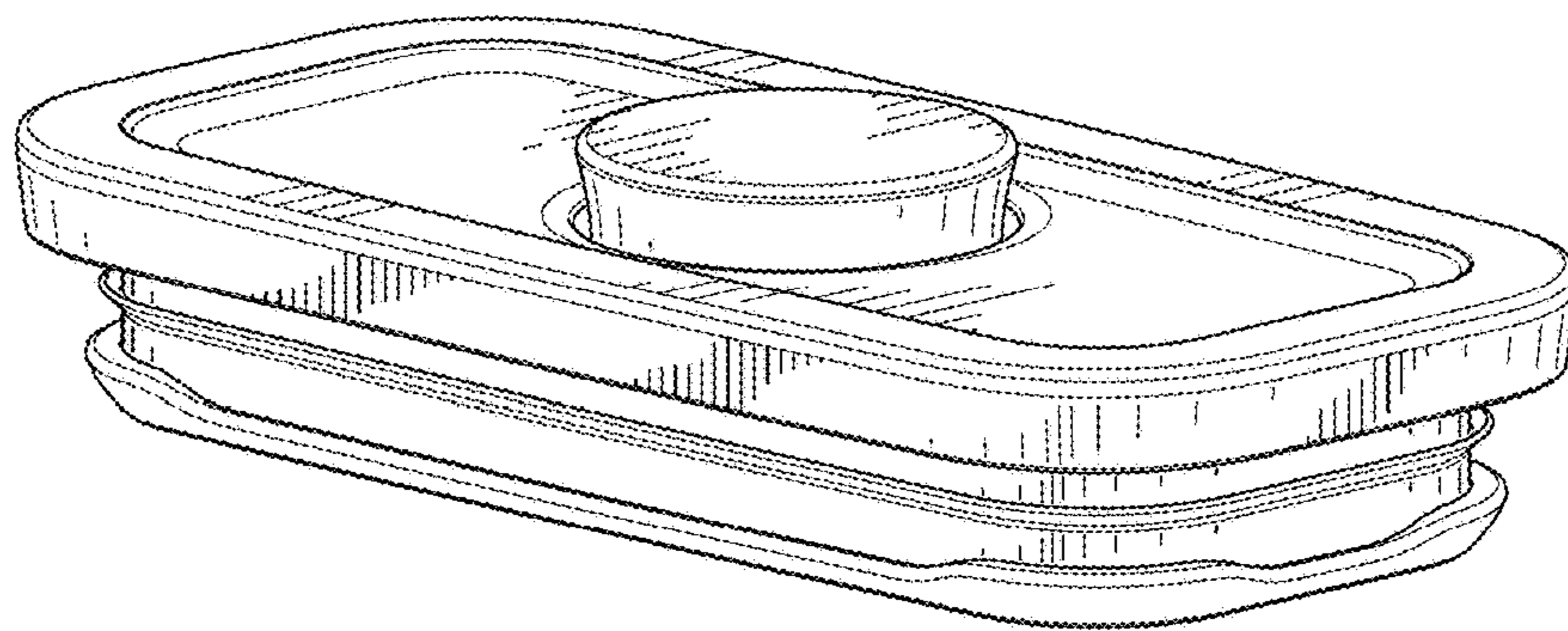


FIG. 1

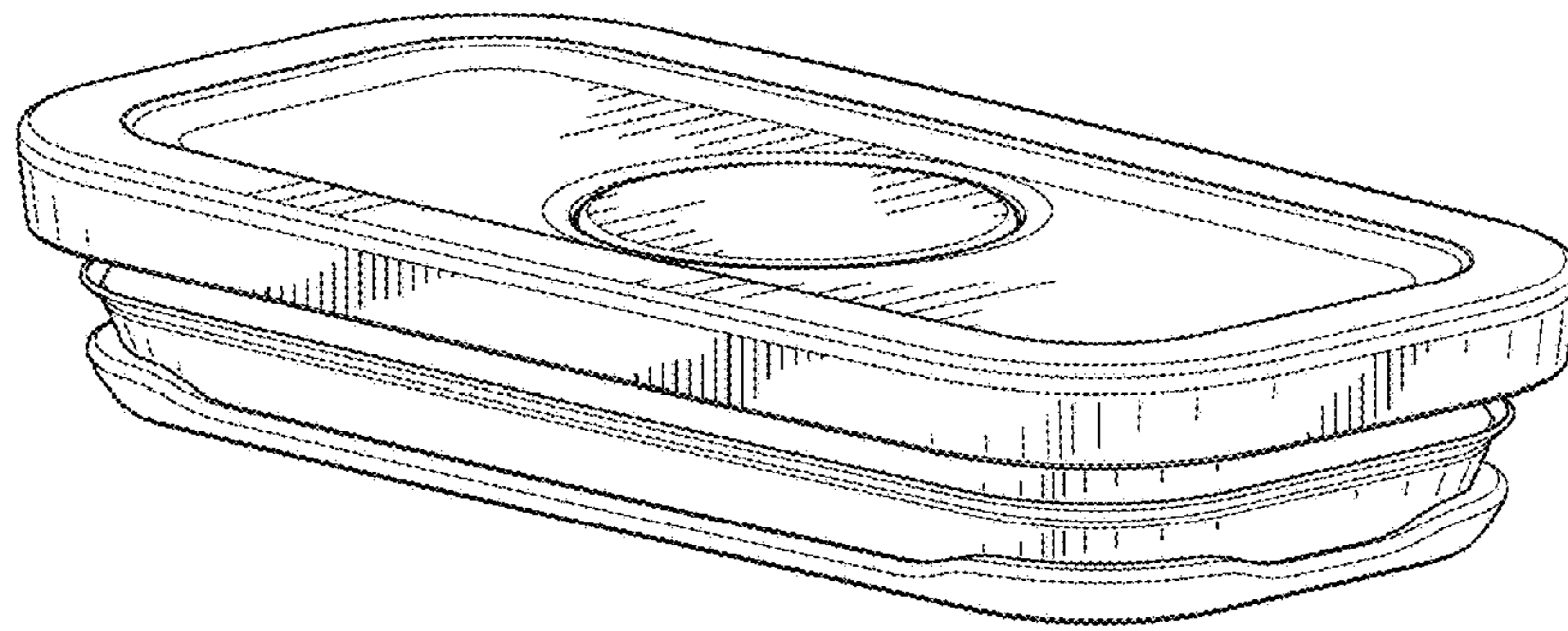


FIG.2

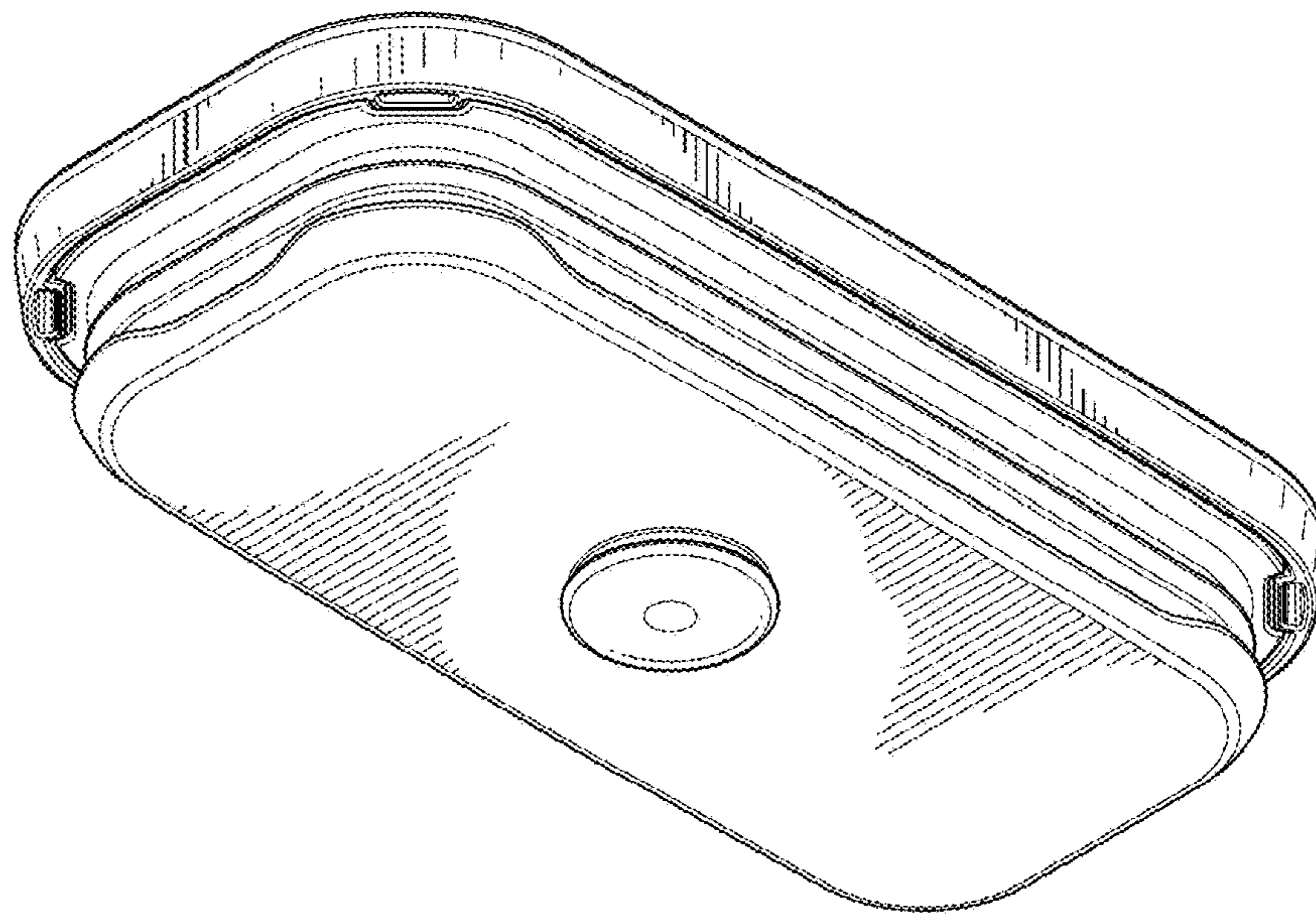


FIG.3

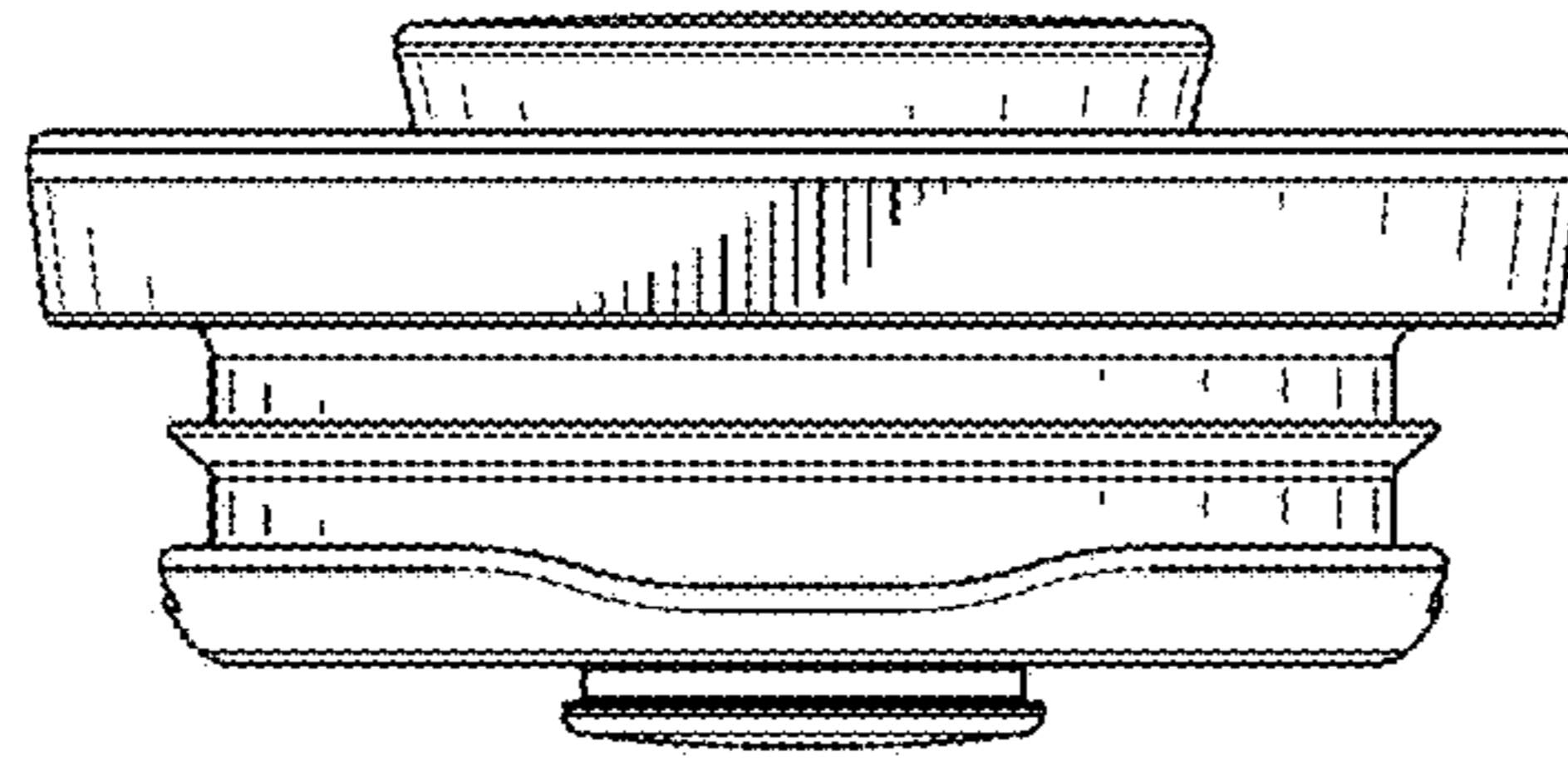


FIG.4

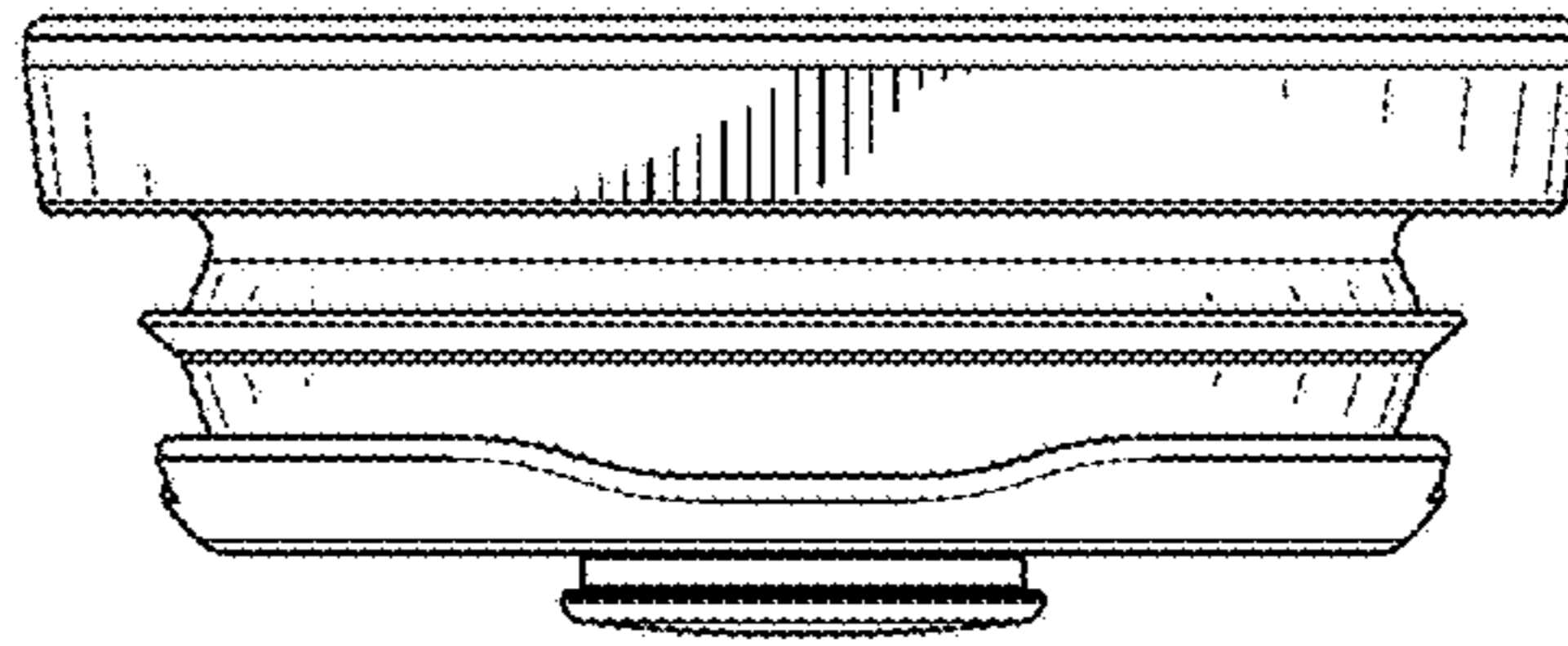


FIG. 5

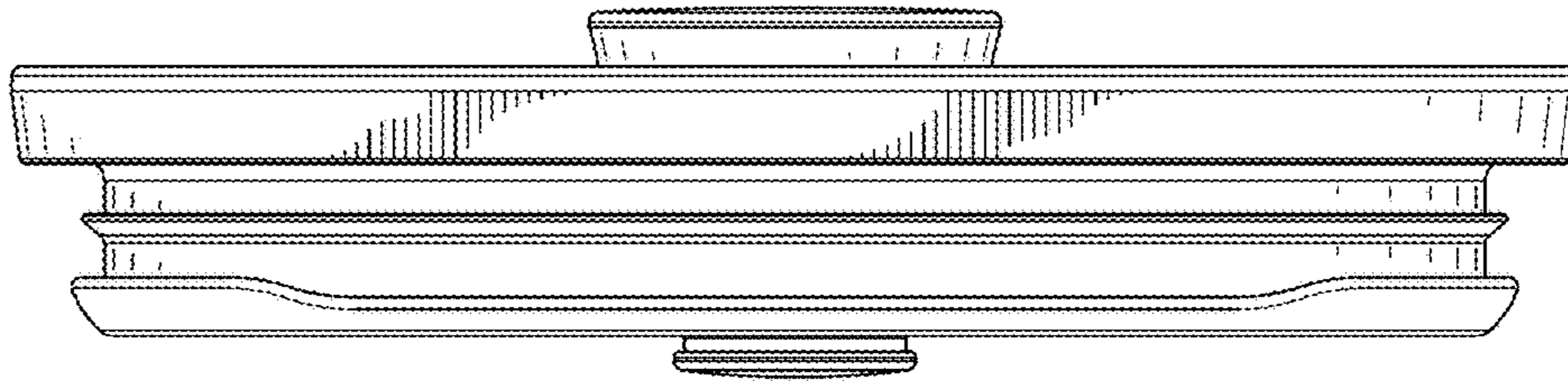


FIG.6

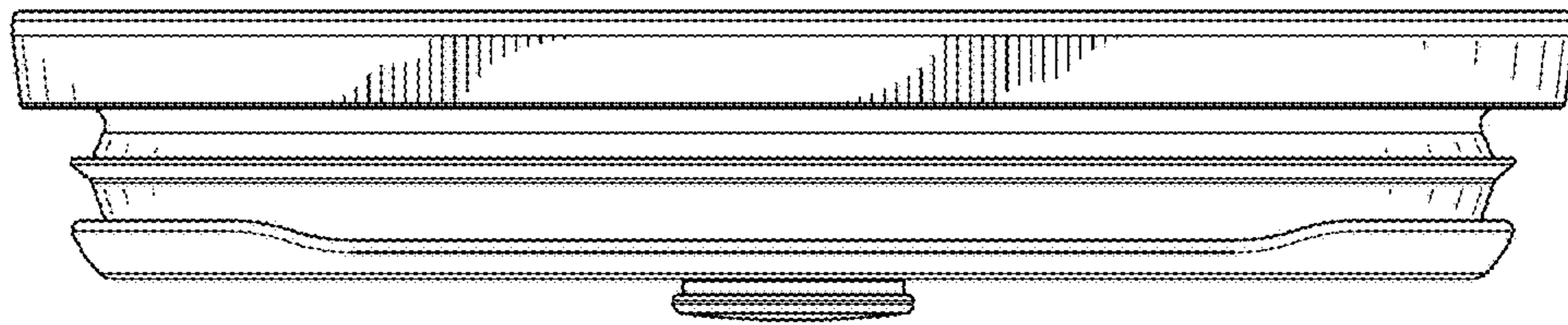


FIG. 7

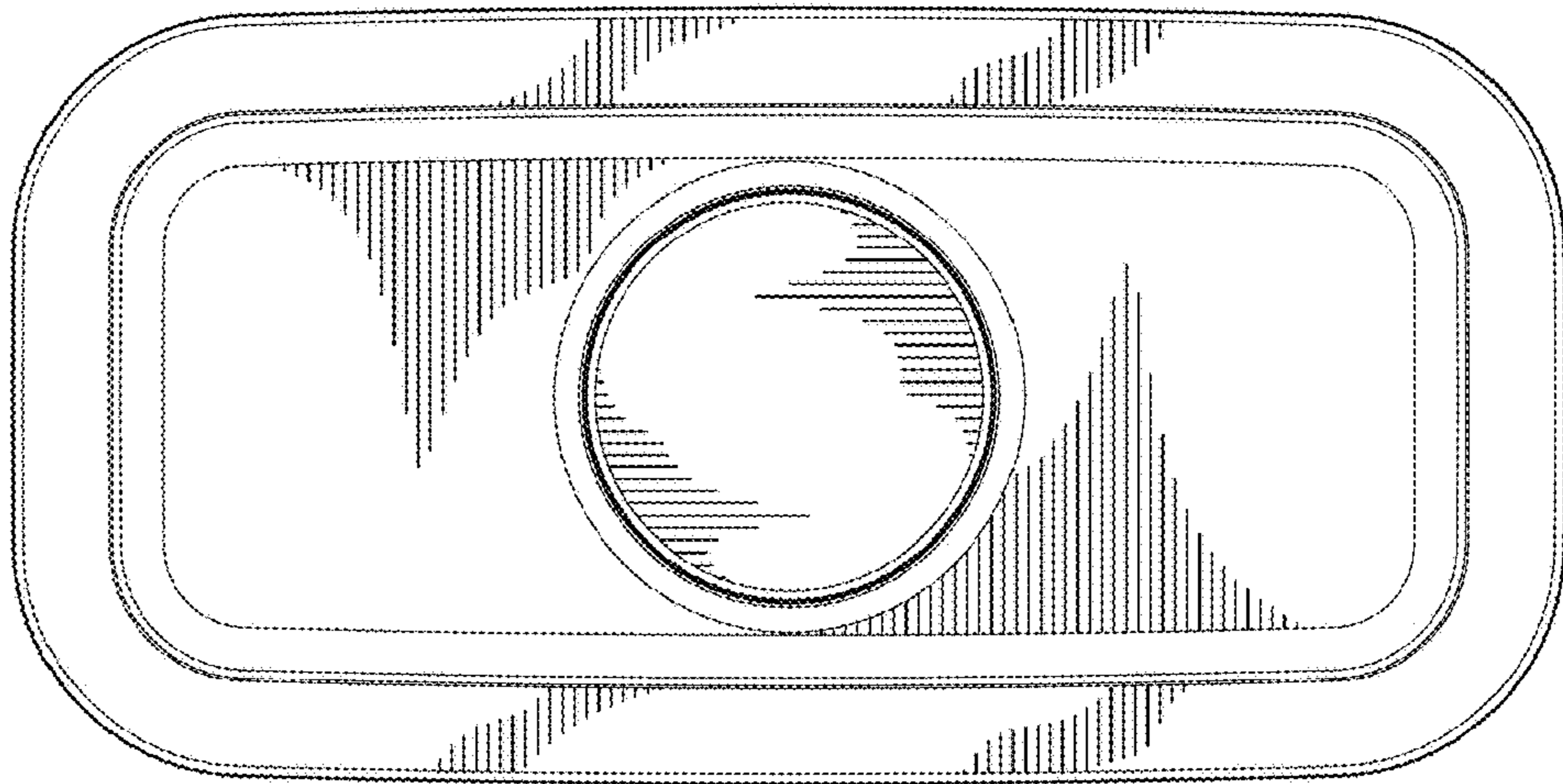


FIG. 8

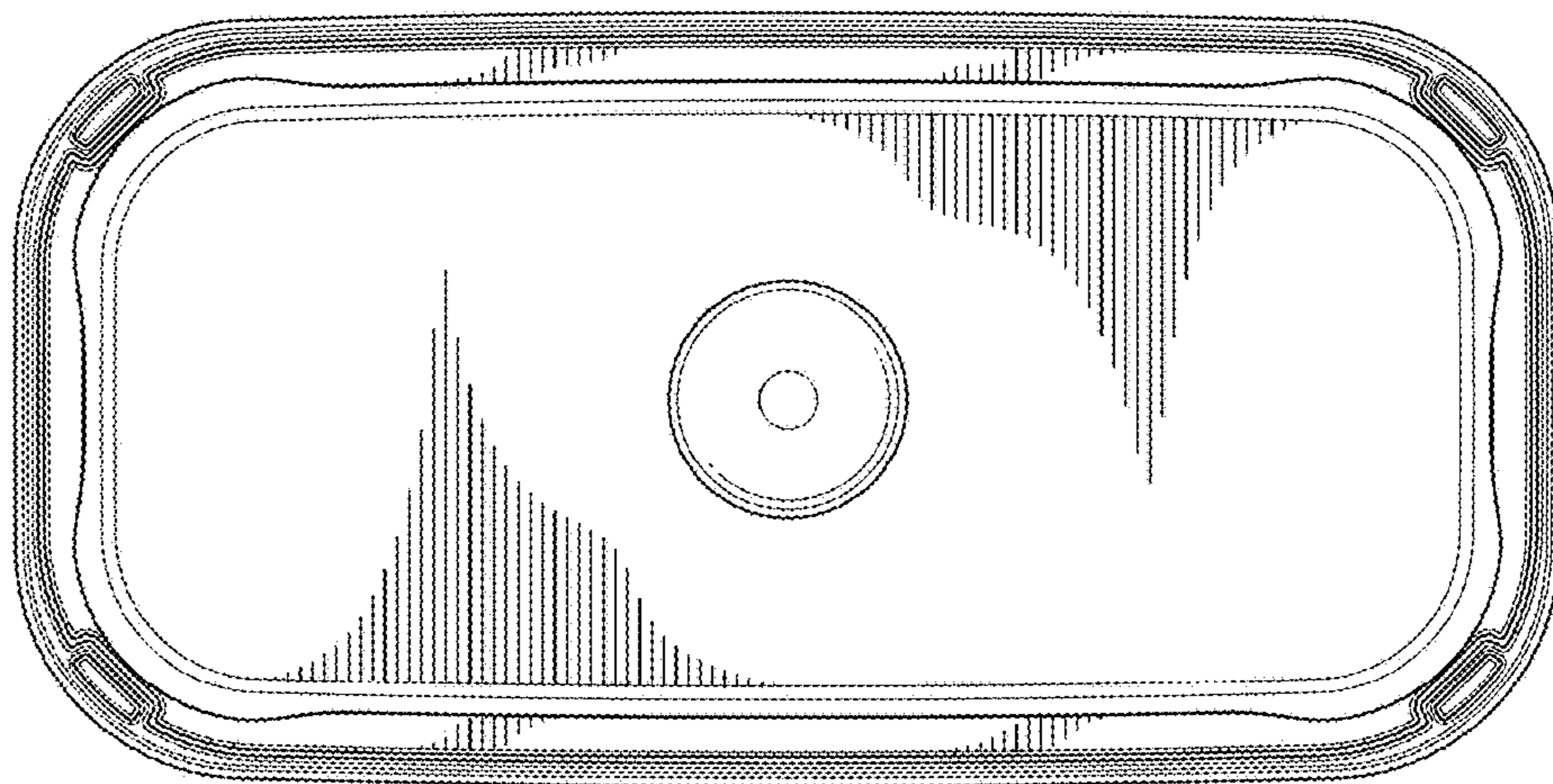


FIG. 9

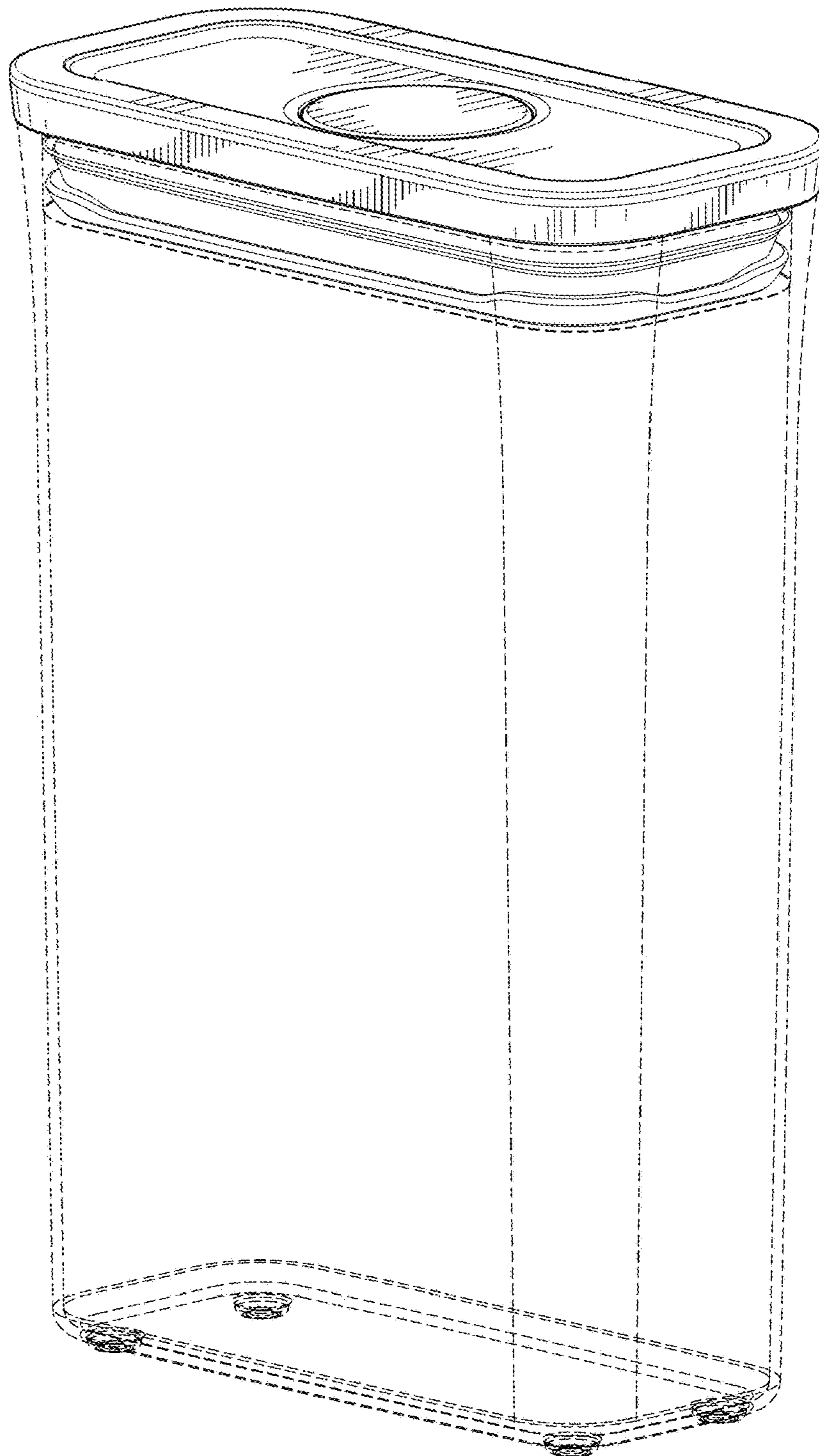


FIG. 10