



US00D854371S

(12) **United States Design Patent**
Pentelovitch et al.

(10) **Patent No.:** **US D854,371 S**

(45) **Date of Patent:** **** *Jul. 23, 2019**

(54) **CONTAINER LID**

B65D 51/1683; B65D 51/1688; B65D 51/1694; B65D 2251/00; B65F 1/1615

(71) Applicant: **Helen of Troy Limited**, Belleville, St. Michael (BB)

See application file for complete search history.

(72) Inventors: **Noah Ziman Pentelovitch**, New York, NY (US); **Conor Patrick McNamara**, Montclair, NJ (US); **Makiko Kida**, Chiba (JP); **Tamotsu Matsumoto**, Chiba (JP); **Nobuyuki Ogasawara**, Chiba (JP); **Yoshinori Nagata**, Chiba (JP)

(56) **References Cited**

U.S. PATENT DOCUMENTS

D162,579 S *	3/1951	Roop	D7/615
D282,044 S *	1/1986	McClelland	D7/391
D351,792 S *	10/1994	Morris, Sr.	D9/425
D403,582 S *	1/1999	Nask	D9/435

(Continued)

OTHER PUBLICATIONS

<https://www.oxo.com/products/storage-organization/food/pop-container-rectangle-0-5-qt-0-51>(website published prior to Dec. 29, 2016).

(Continued)

(73) Assignee: **Helen of Troy Limited**, St. Michael (BB)

(*) Notice: This patent is subject to a terminal disclaimer.

Primary Examiner — Ricky Pham

(74) *Attorney, Agent, or Firm* — Rankin, Hill & Clark LLP

(**) Term: **15 Years**

(57) **CLAIM**

The ornamental design for a container lid, as shown and described.

(21) Appl. No.: **29/631,356**

(22) Filed: **Dec. 29, 2017**

(51) **LOC (11) Cl.** **07-02**

(52) **U.S. Cl.**
USPC **D7/391**

(58) **Field of Classification Search**
USPC D7/391, 392, 392.1, 393, 397, 601–602, D7/615, 629–630, 538–542; D9/414, D9/424–432, 435, 439, 451–452; D26/85
CPC A47J 36/027; A47J 36/06; A47J 37/10; A47J 37/101; B65D 21/0209; B65D 21/0219; B65D 43/00; B65D 43/02; B65D 43/0206; B65D 43/022; B65D 43/161; B65D 43/162; B65D 45/00; B65D 45/16; B65D 45/18; B65D 45/32; B65D 51/16;

DESCRIPTION

FIG. 1 is an upper perspective view of a container lid with a button in an extended position;
FIG. 2 is another upper perspective thereof with the button in a depressed position;
FIG. 3 is a lower perspective view thereof;
FIG. 4 is a front elevation view thereof with the button in the extended position, the rear view being identical;
FIG. 5 is a front elevation view thereof with the button in the depressed position, the rear view being identical;
FIG. 6 is a side elevation view thereof with the button in the extended position, the opposite side being identical;
FIG. 7 is a side elevation view thereof with the button in the depressed position, the opposite side being identical;
FIG. 8 is a top plan view thereof;

(Continued)

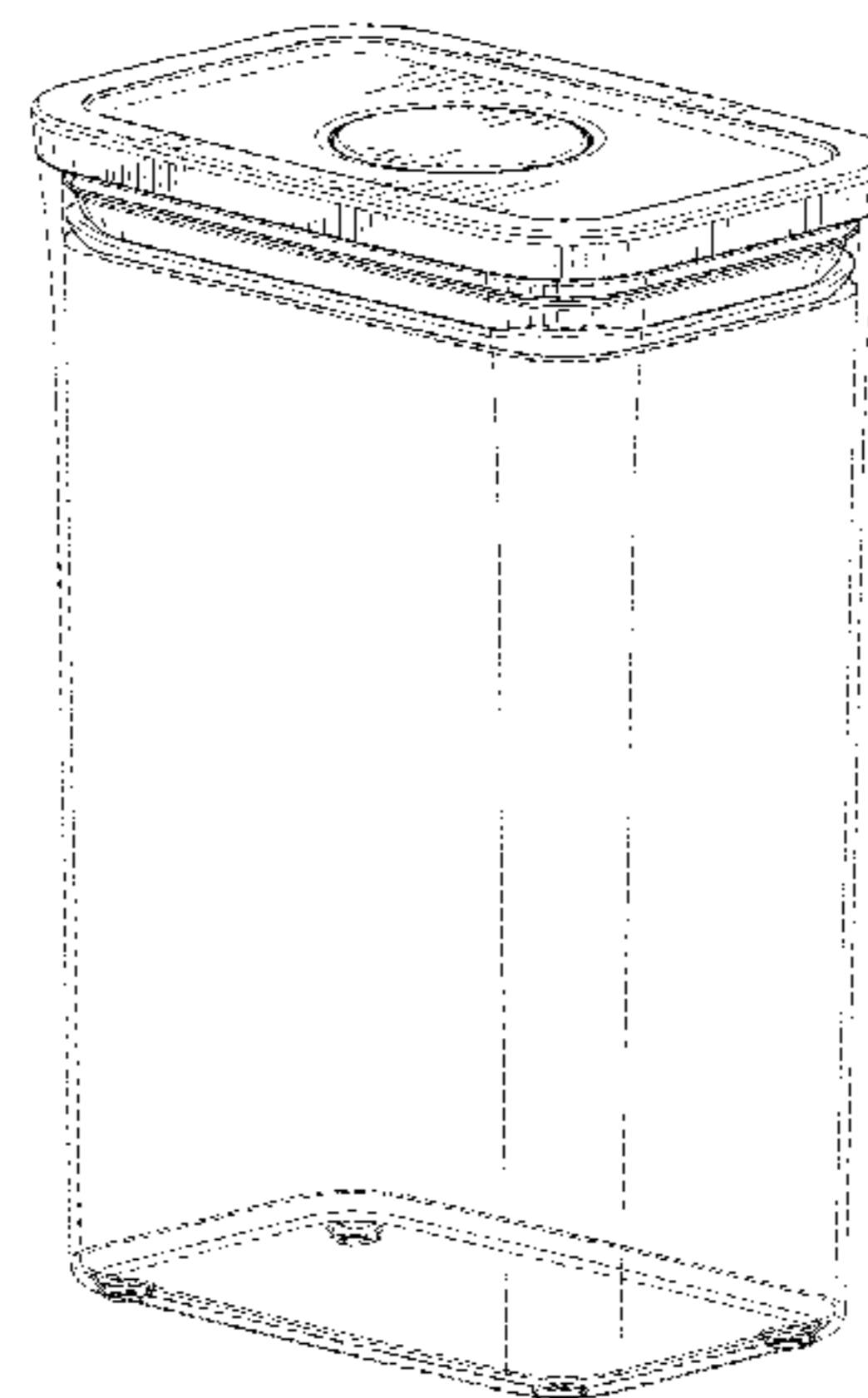
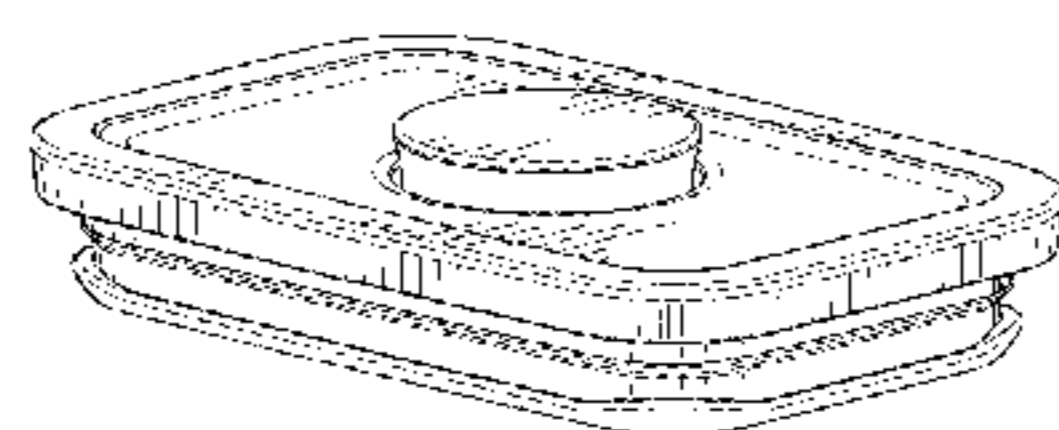


FIG. 9 is a bottom plan view thereof; and,
FIG. 10 is another upper perspective thereof with the button
in a depressed position.
The broken lines in the drawings depict portions of the
container lid that form no part of the claimed design.

1 Claim, 10 Drawing Sheets

(56)

References Cited

U.S. PATENT DOCUMENTS

5,896,993	A *	4/1999	Nask	B65D 21/0219 206/508
D540,669	S *	4/2007	George	D7/392.1
D562,640	S *	2/2008	Tucker	D7/542
D572,086	S	7/2008	Matsumoto et al.	
D610,412	S *	2/2010	Matsumoto	D7/629
D655,158	S *	3/2012	Drozek	D9/435
D655,850	S *	3/2012	Sabernig	D26/85
D765,508	S *	9/2016	Wu	D9/439
D817,701	S *	5/2018	Ho	D7/391
2018/0016065	A1 *	1/2018	Ho	B65D 45/32

OTHER PUBLICATIONS

<https://www.target.com/s/oxo+softworks+pop+containers> (website published prior to Dec. 29, 2016).

* cited by examiner

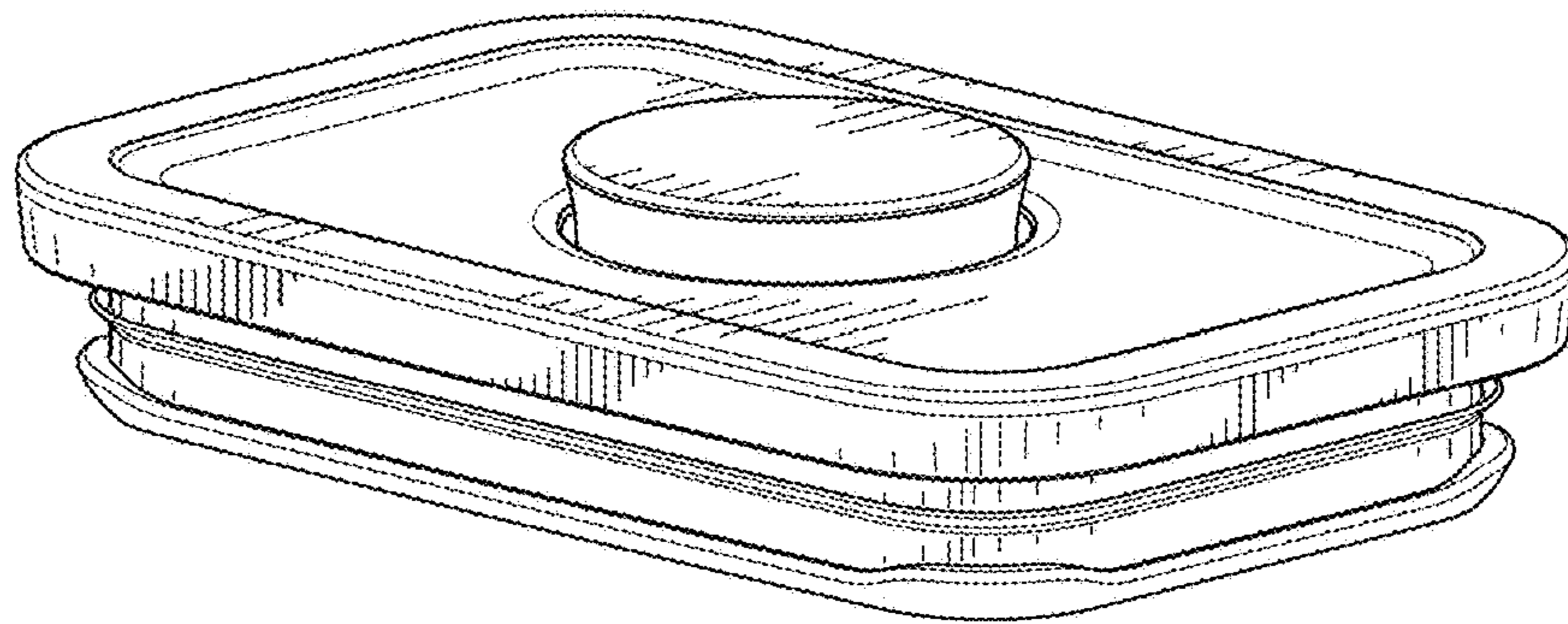


FIG. 1

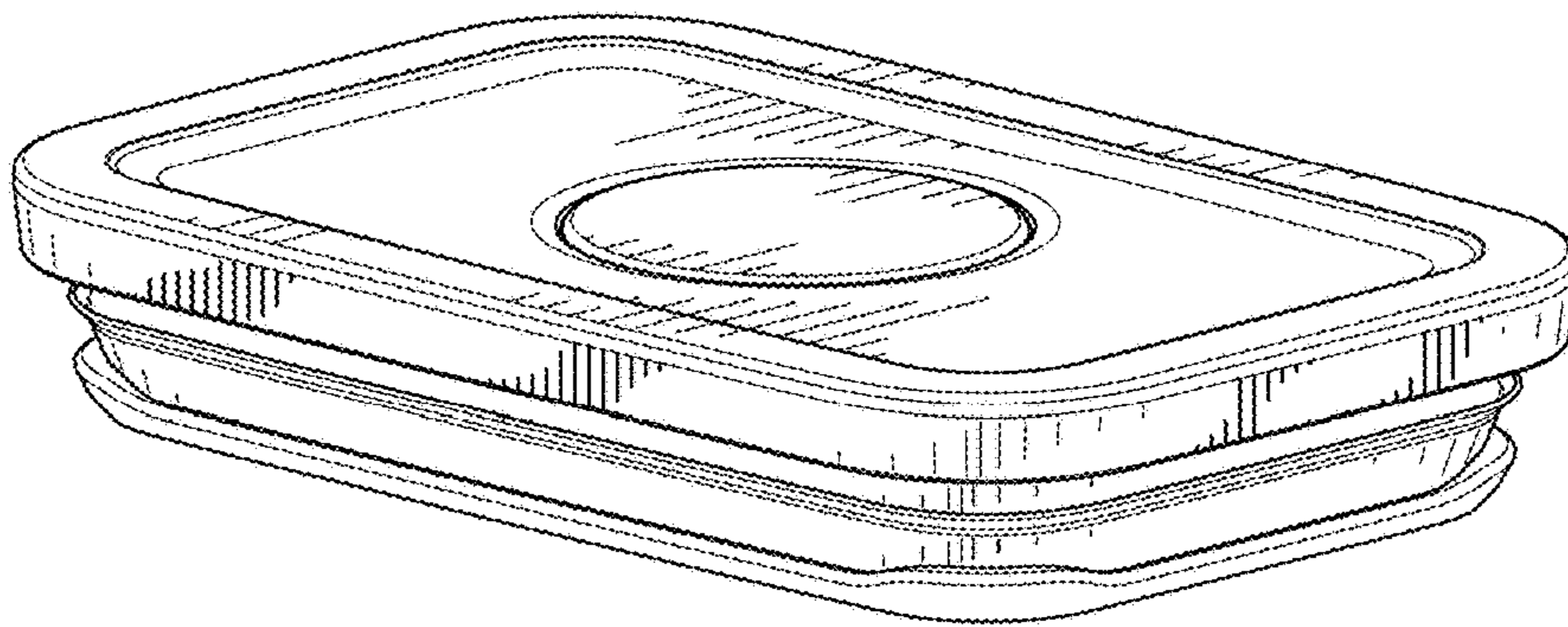


FIG. 2

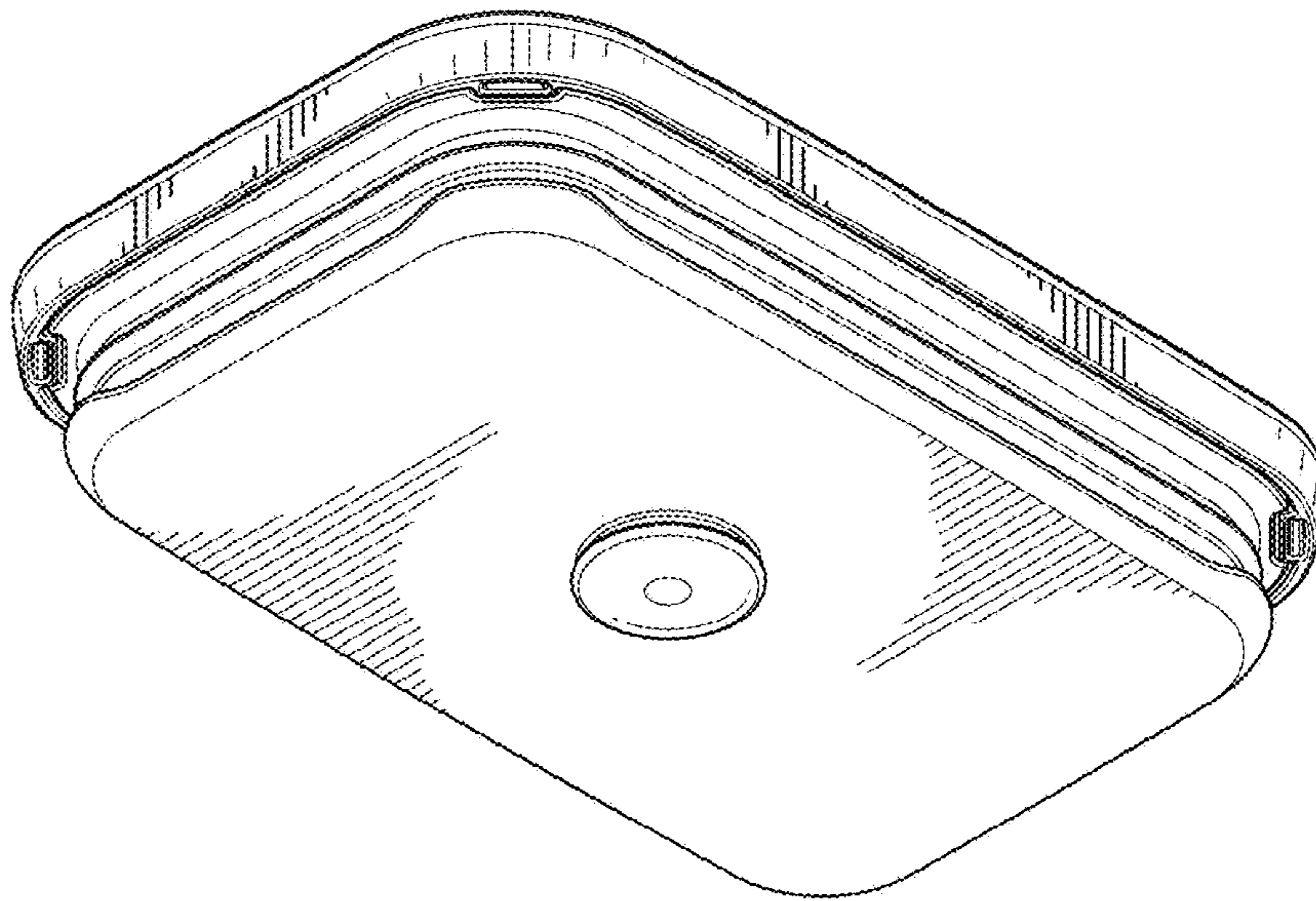


FIG.3

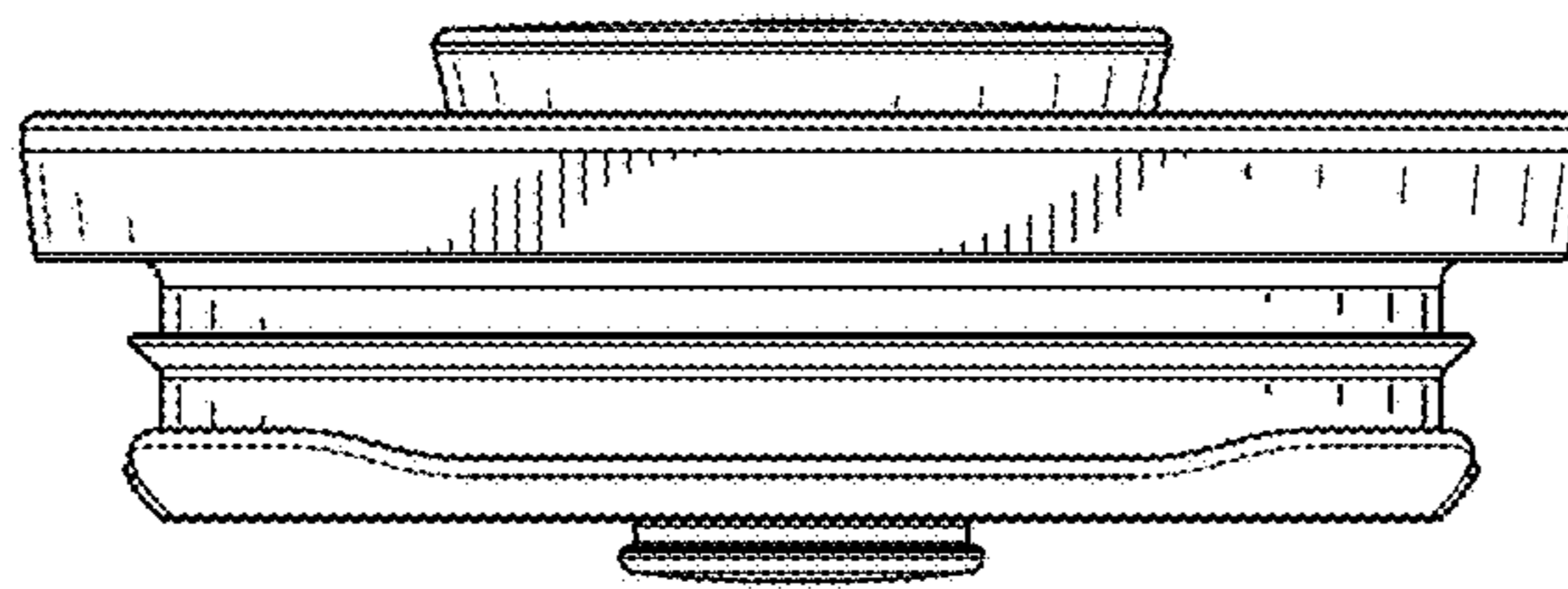


FIG.4

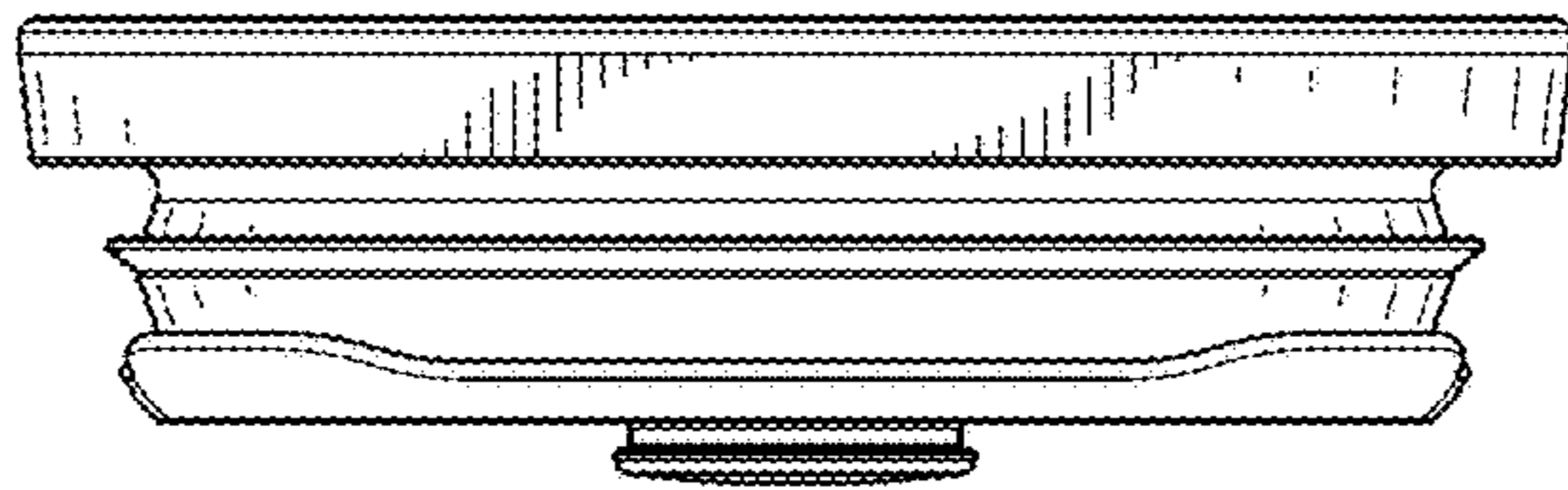


FIG.5

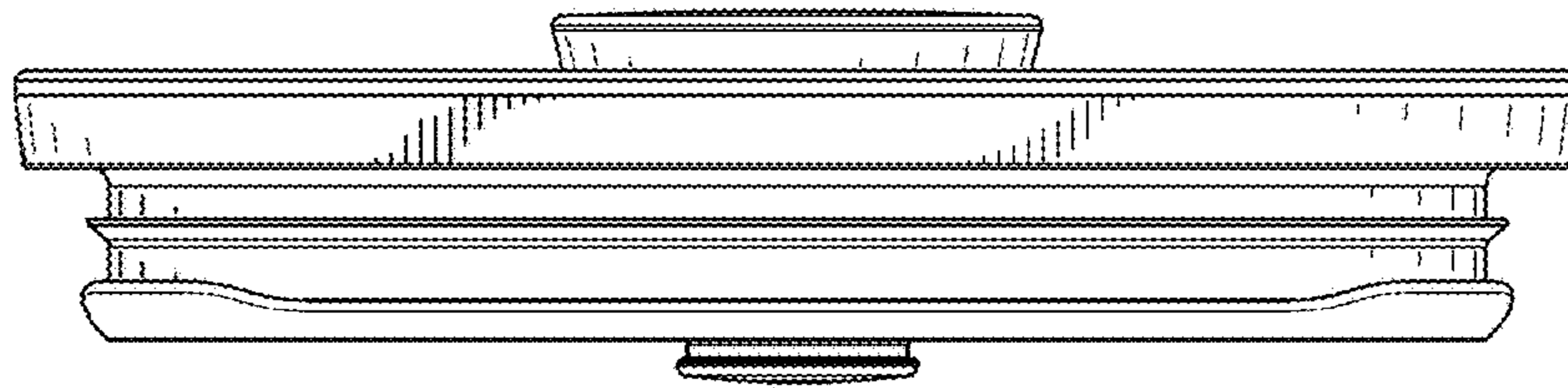


FIG.6

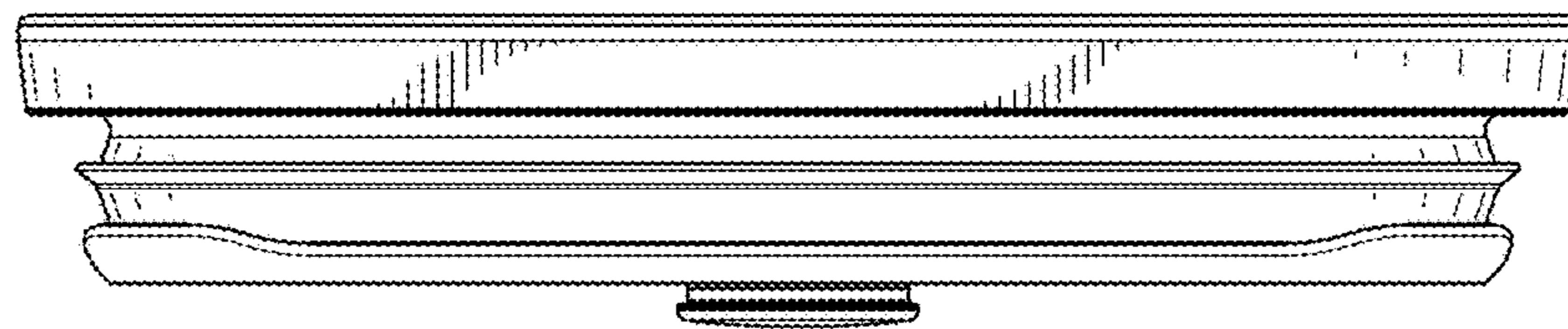


FIG. 7

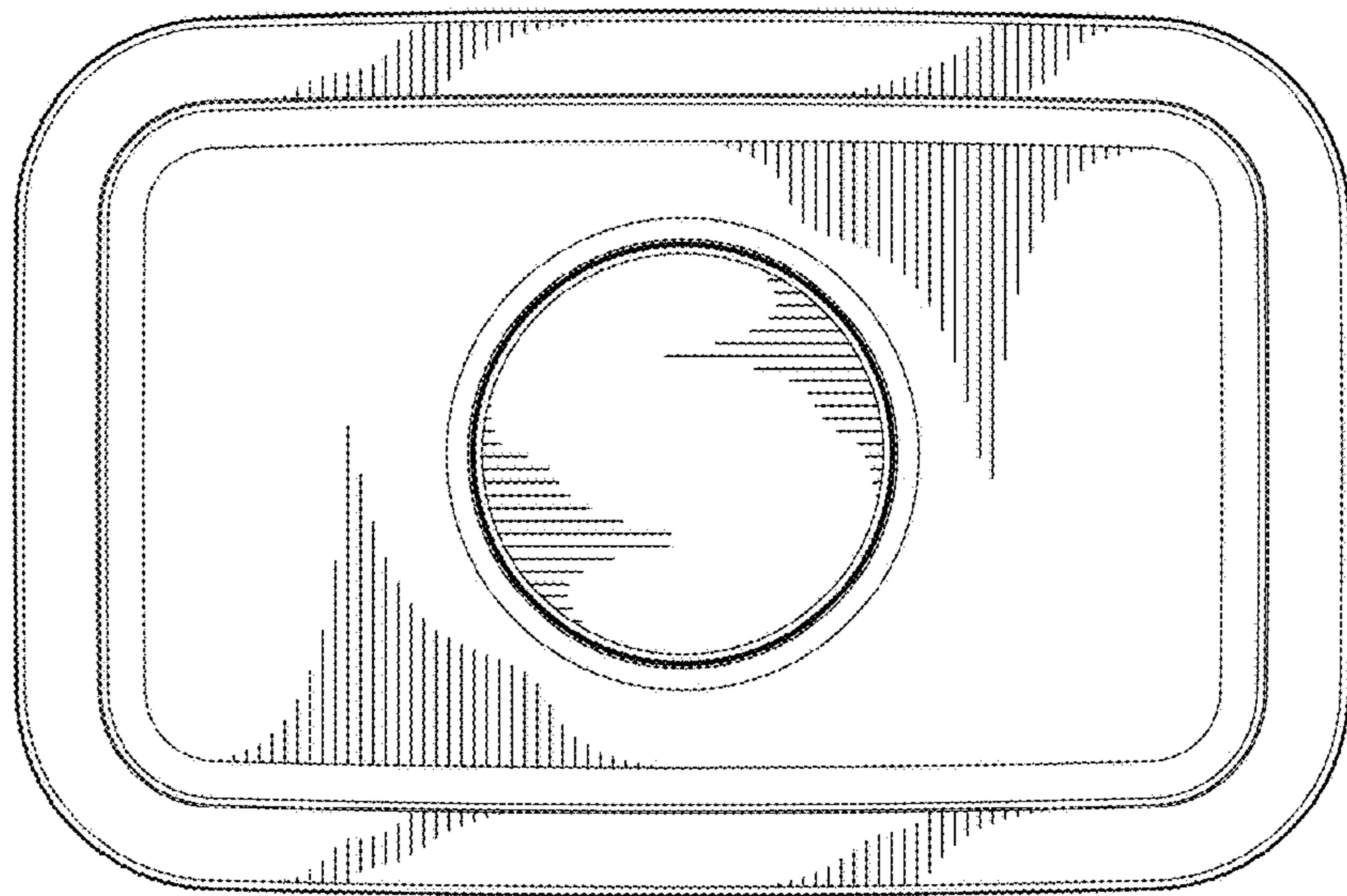


FIG. 8

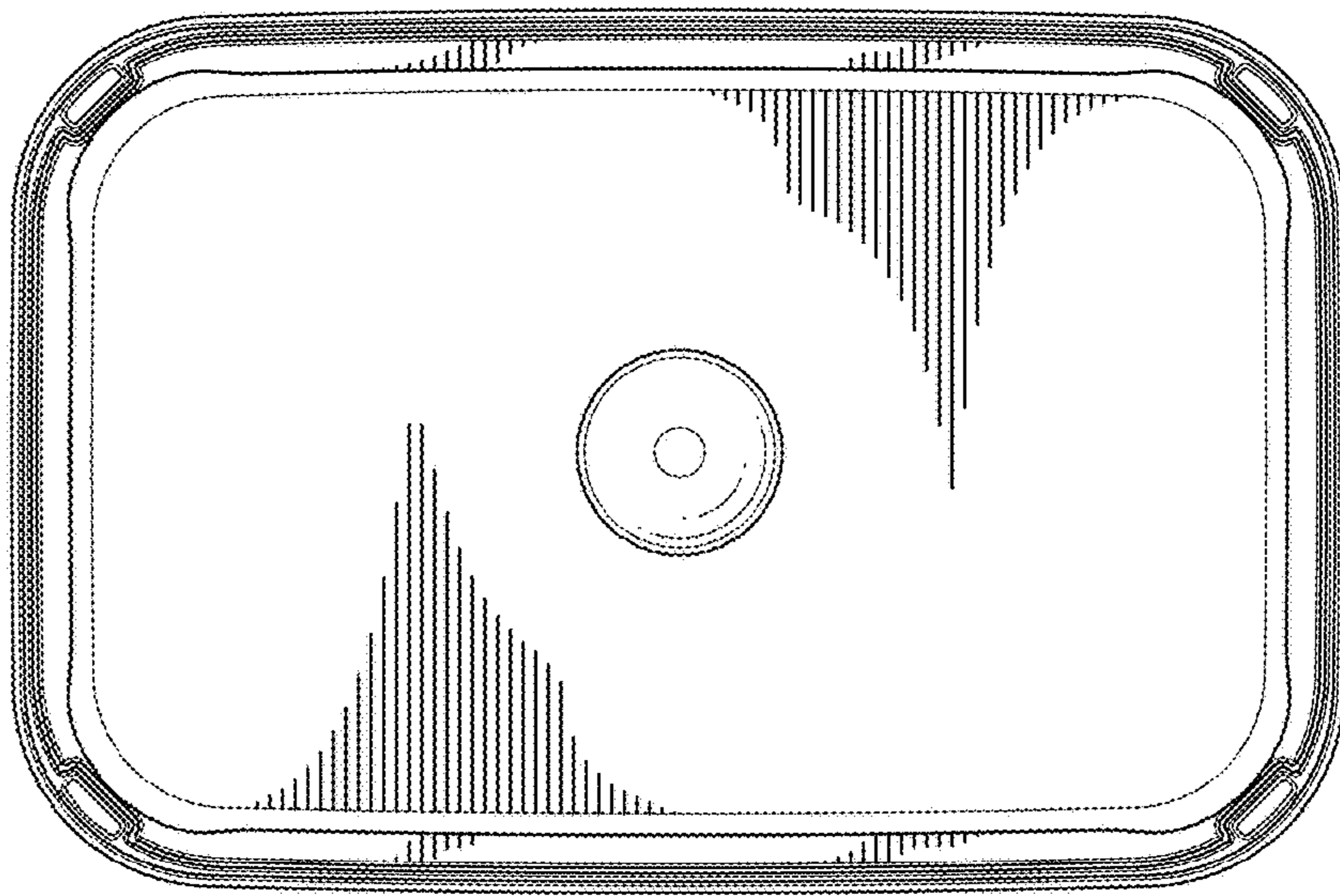


FIG. 9

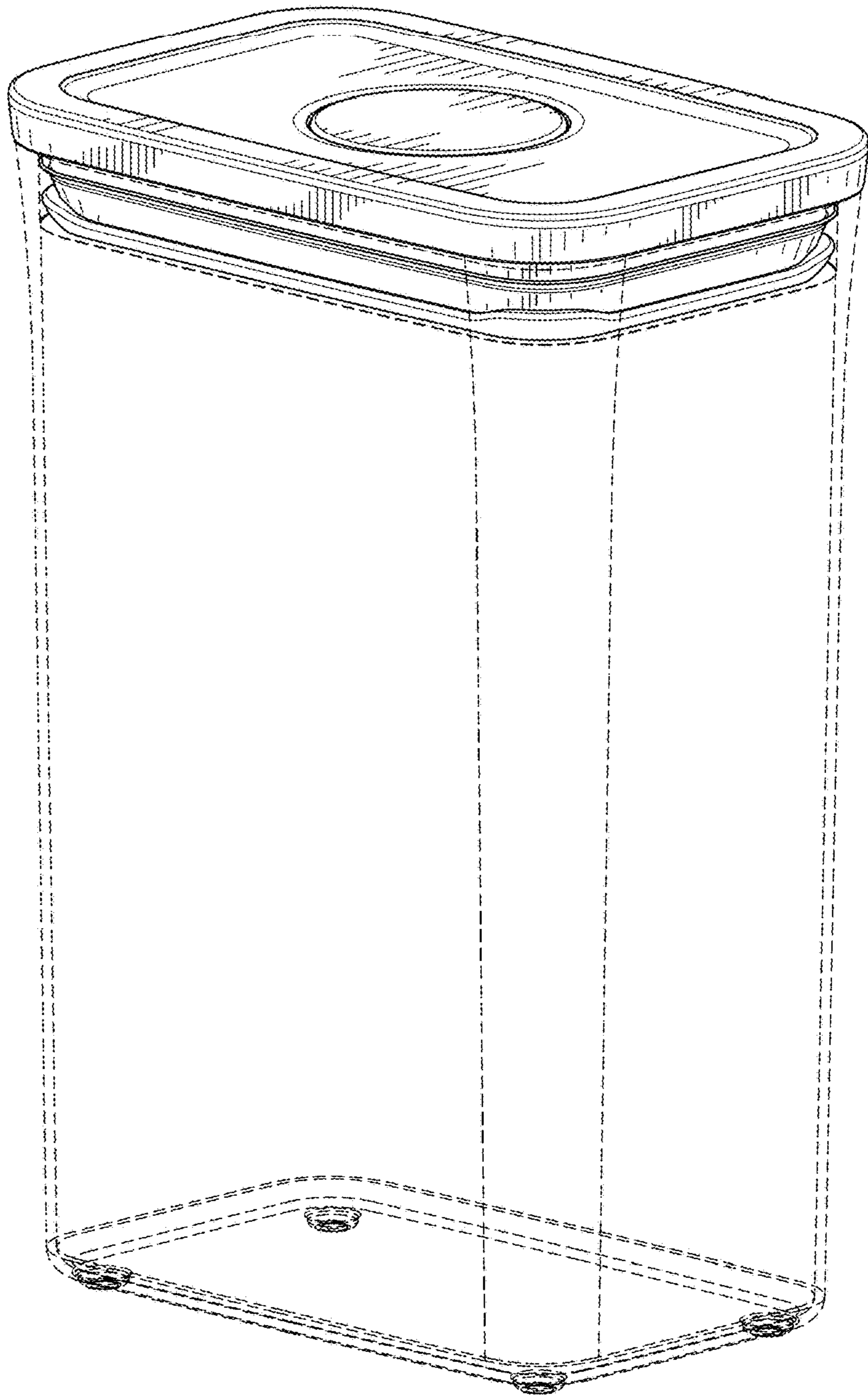


FIG. 10