



US00D854370S

(12) **United States Design Patent**
Xie

(10) **Patent No.:** **US D854,370 S**

(45) **Date of Patent:** **** Jul. 23, 2019**

(54) **FOOD STEAMING ENVELOPE**

(71) Applicant: **Conair Corporation**, Stamford, CT
(US)

(72) Inventor: **Qinyun Xie**, Hangyan Taizhou (CN)

(73) Assignee: **Conair Corporation**, Stamford, CT
(US)

(**) Term: **15 Years**

(21) Appl. No.: **29/586,708**

(22) Filed: **Dec. 6, 2016**

(51) **LOC (11) Cl.** **07-02**

(52) **U.S. Cl.**

USPC **D7/360**

(58) **Field of Classification Search**

USPC D7/354–365, 367, 402–404, 407–409,
D7/417, 339, 346, 347, 332–334;
D9/702, 761, 434, 425–428

CPC A47J 47/02; A47J 47/14; A47J 2027/043;
A47J 27/04; A47J 27/05; A47J 27/17;
A47J 27/16; A47J 33/00; A23L 5/13;
B65D 39/00; B65D 43/00; B65D 43/02;
B65D 43/14; F24C 15/10; F24C 15/101;
F24C 15/102; F24C 15/107; F24C
15/108; F24C 15/26; F24C 3/14; F24C
1/16; F24C 5/20; F23D 14/06; F23D
14/38; F23D 14/56; F23D 14/465; F23D
14/52; F23D 2900/14062; F23D
2900/14063; H05B 6/02; H05B 6/06;
H05B 6/062; H05B 6/12; H05B 6/1209;
H05B 2213/07

See application file for complete search history.

(56) **References Cited**

U.S. PATENT DOCUMENTS

D218,470 S * 8/1970 De Palmo D7/357
D229,532 S * 12/1973 Colato D7/409

D256,653 S * 9/1980 Painter D7/409
D272,029 S * 1/1984 Grusin D7/629
D275,165 S * 8/1984 Grusin D7/586
D286,729 S * 11/1986 Tzifkansky D7/629
D340,614 S 10/1993 Kaeding
D341,990 S 12/1993 Yim
D379,138 S * 5/1997 Carlson D7/629
D383,641 S 9/1997 Maton

(Continued)

OTHER PUBLICATIONS

Roast chicken in 20 minutes?, posted Jan. 8, 2016 [online], retrieved Jul. 30, 2018, retrieved from internet, <<http://www.dailymail.co.uk/news/article-3391230/Roast-chicken-20-minutes-humble-microwave-meal-set-revamp-thanks-new-accessory.html>>.*

(Continued)

Primary Examiner — Barbara Fox

Assistant Examiner — Messina L Smith

(74) *Attorney, Agent, or Firm* — Lawrence Cruz, Esq.;
Ryan, Mason & Lewis, LLP

(57) **CLAIM**

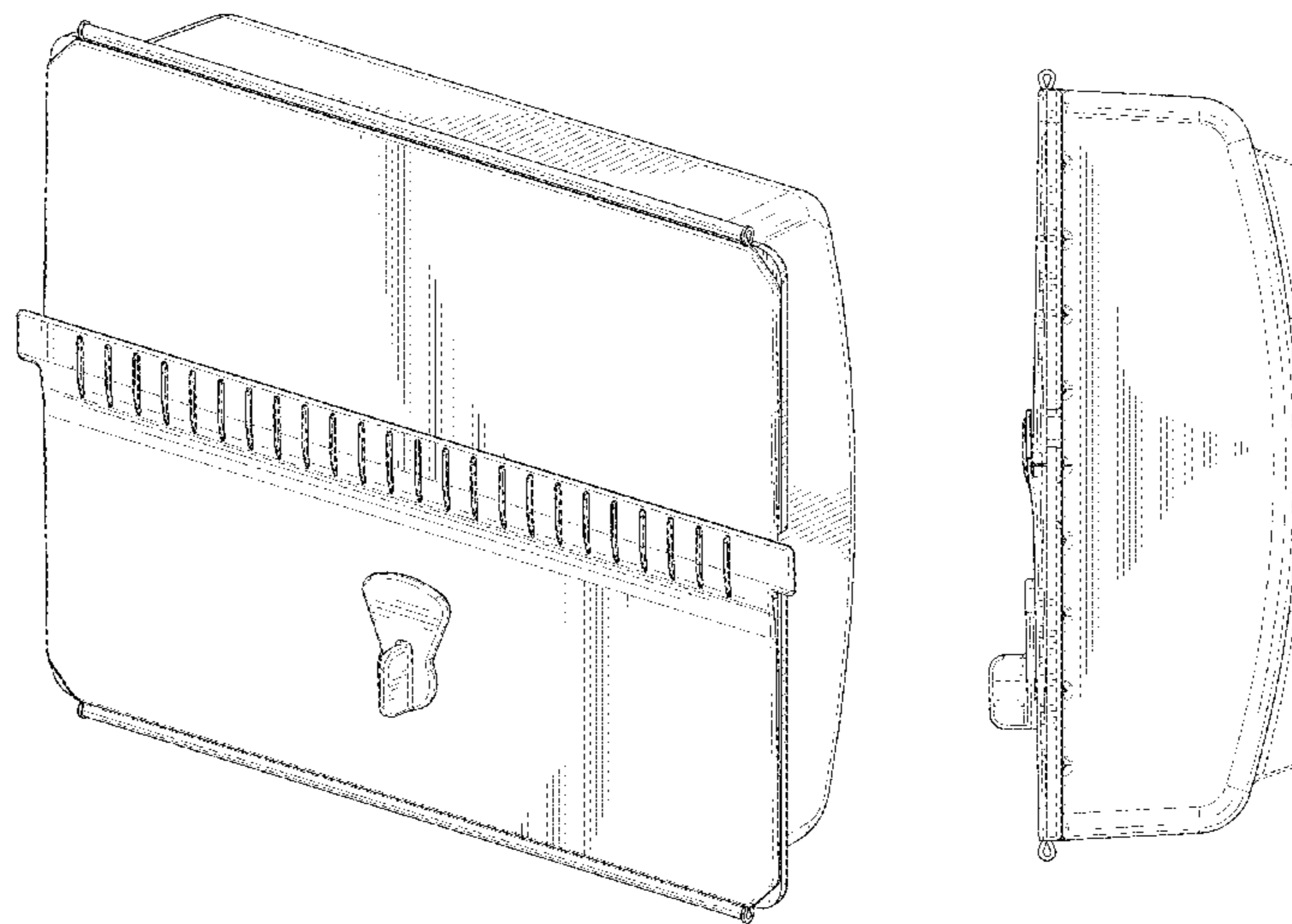
The ornamental design for a food steaming envelope, as shown and described.

DESCRIPTION

FIG. 1 is a perspective view of a food steaming envelope showing my new design;
FIG. 2 is a top plan view of the food steaming envelope;
FIG. 3 is a bottom plan view of the food steaming envelope;
FIG. 4 is a first end view of the food steaming envelope;
FIG. 5 is a second end view of the food steaming envelope;
FIG. 6 is a first side elevation view of the food steaming envelope; and,
FIG. 7 is a second side elevation view of the food steaming envelope.

The broken lines in the drawings depict portions of the food steaming envelope that form no part of the claimed design.

1 Claim, 7 Drawing Sheets



(56)

References Cited

U.S. PATENT DOCUMENTS

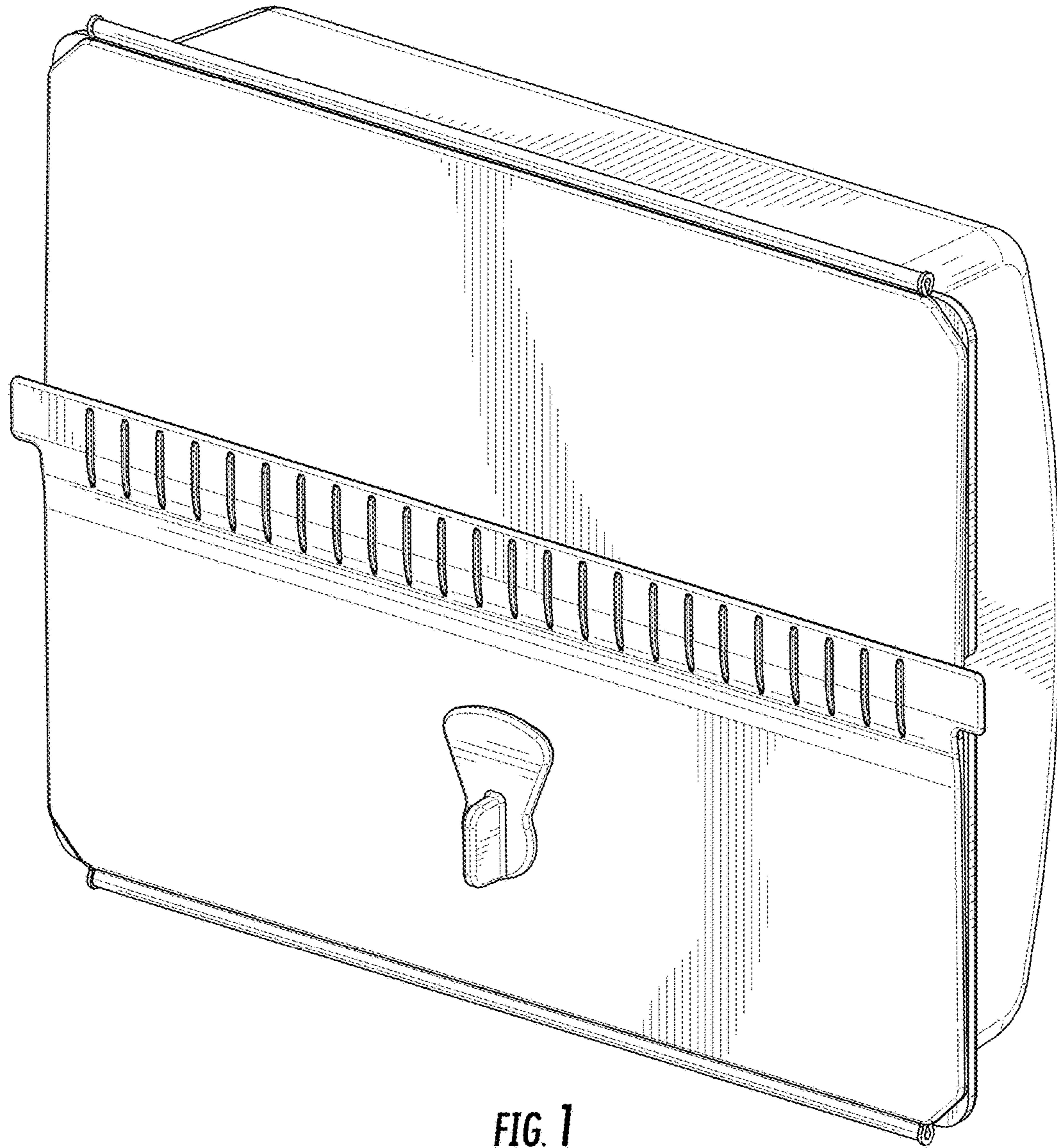
D384,247 S * 9/1997 Smith D7/542
 D468,959 S * 1/2003 Rohback, Jr. D7/332
 D502,872 S * 3/2005 Fleming D9/434
 D522,355 S * 6/2006 Castellanos D9/418
 D554,990 S * 11/2007 Terrasi D9/432
 D577,295 S * 9/2008 Miller D9/711
 D684,465 S * 6/2013 Vernon D9/421
 D688,552 S * 8/2013 Vernon D7/602
 D702,511 S * 4/2014 Segal D7/629
 D706,132 S * 6/2014 Sill D9/432
 D747,913 S * 1/2016 Lee
 D752,430 S * 3/2016 Stevenson D9/425
 D762,467 S * 8/2016 Bordieri D9/421
 D771,431 S 11/2016 Affatato et al.
 D771,432 S 11/2016 Affatato et al.
 D771,998 S 11/2016 Affatato et al.
 D772,640 S 11/2016 Affatato et al.

D786,666 S * 5/2017 Bordieri D9/421
 D793,222 S * 8/2017 Boyea D9/414
 D798,707 S * 10/2017 Mayer D9/431
 D808,795 S * 1/2018 Owens D9/425
 2016/0068323 A1* 3/2016 Suryanarayanan .. B65D 75/008
 206/459.5

OTHER PUBLICATIONS

OXO Good Grips Microwave Steamer, posted Jan. 29, 2018 [online],
 retrieved Jul. 30, 2018, retrieved from internet, <<https://www.amazon.com/OXO-Good-Grips-Microwave-Steamer/dp/B079D3DFKY>>.*
 Microwave Food Steamer Box, reviewed May 16, 2017 [online],
 retrieved Jul. 30, 2018, retrieved from internet, <<https://thehomeandkitchenstore.com/products/high-quality-silicone-microwave-oven-food-steamer-jacinth-steam-healthy-cooking-bowl-lunch-box-steam-case-home-kitchen-tools#>>.*

* cited by examiner



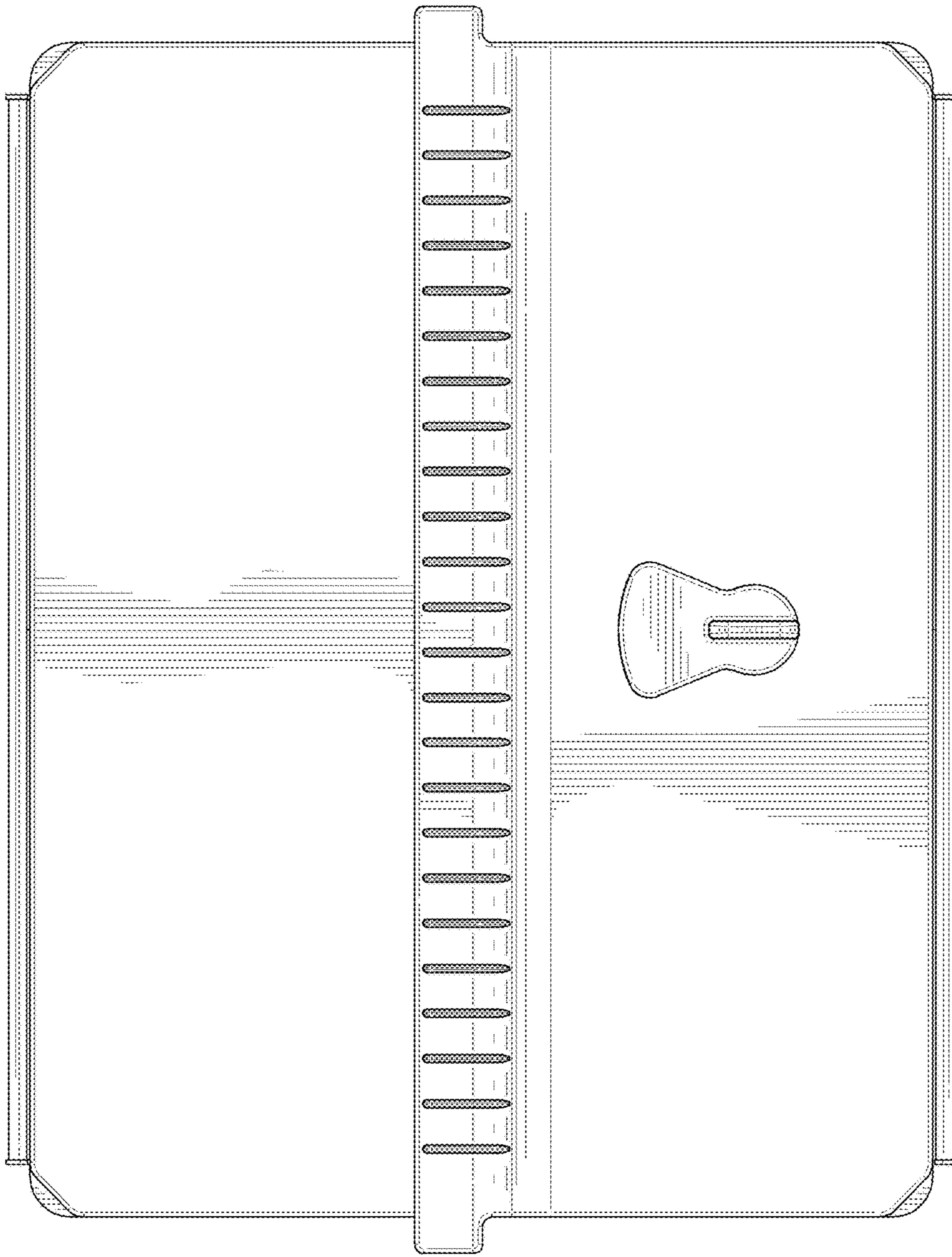


FIG. 2

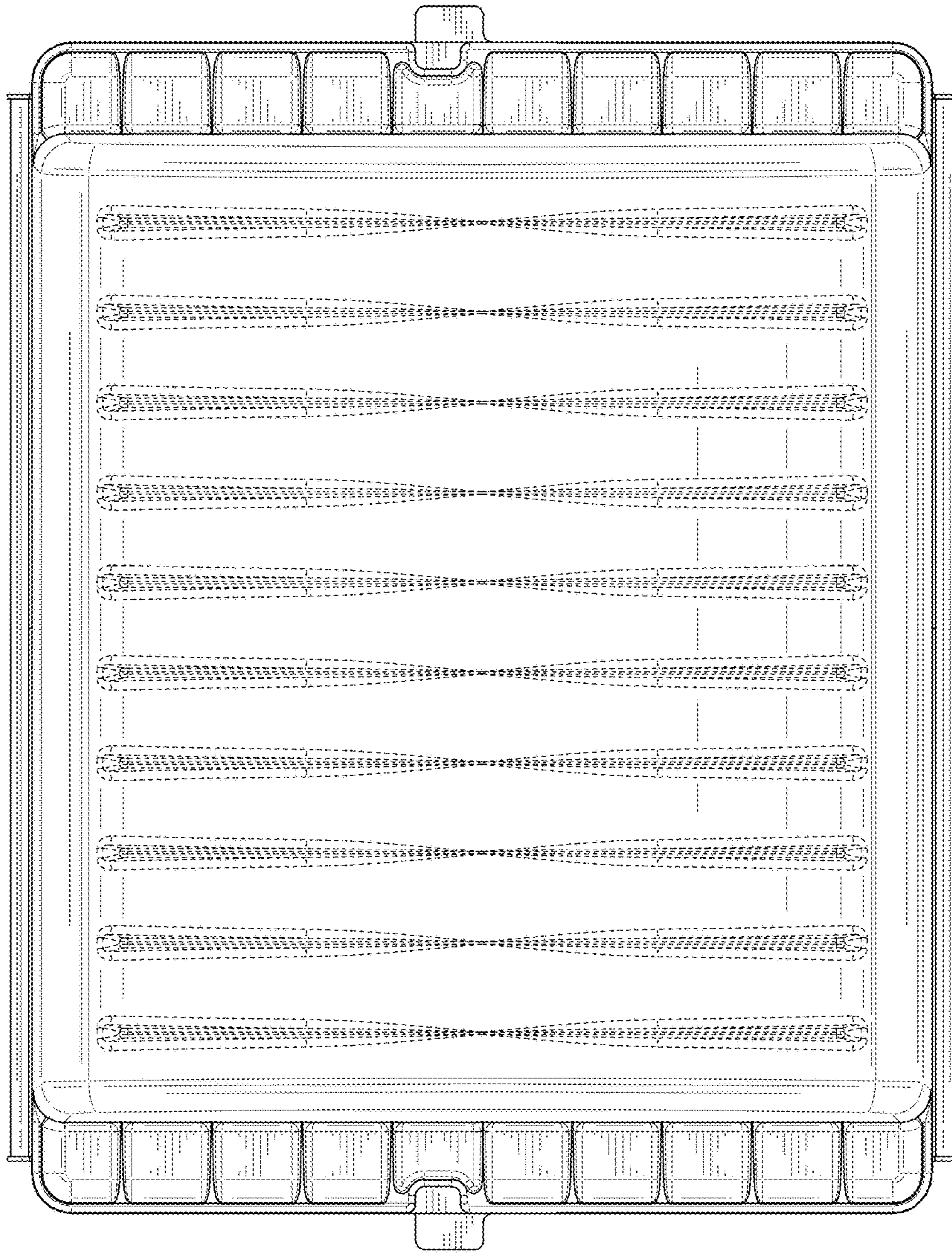


FIG. 3

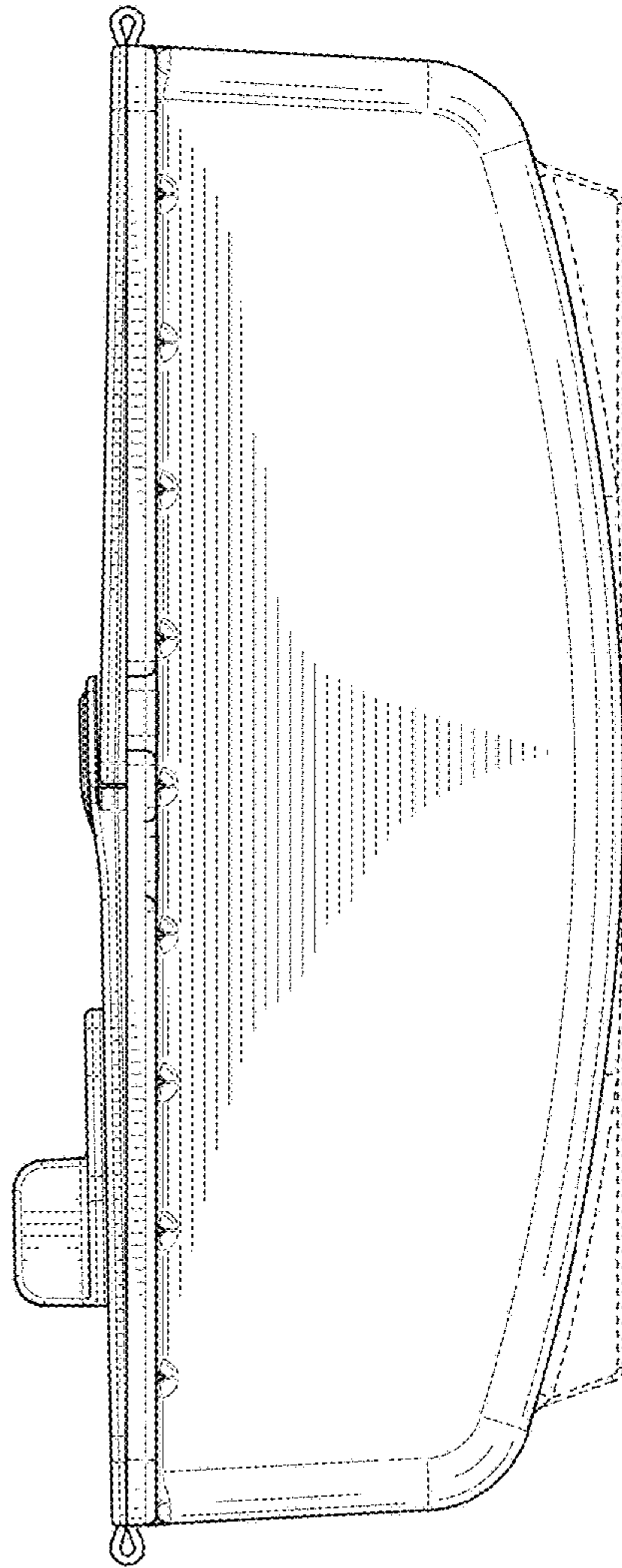


FIG. 4

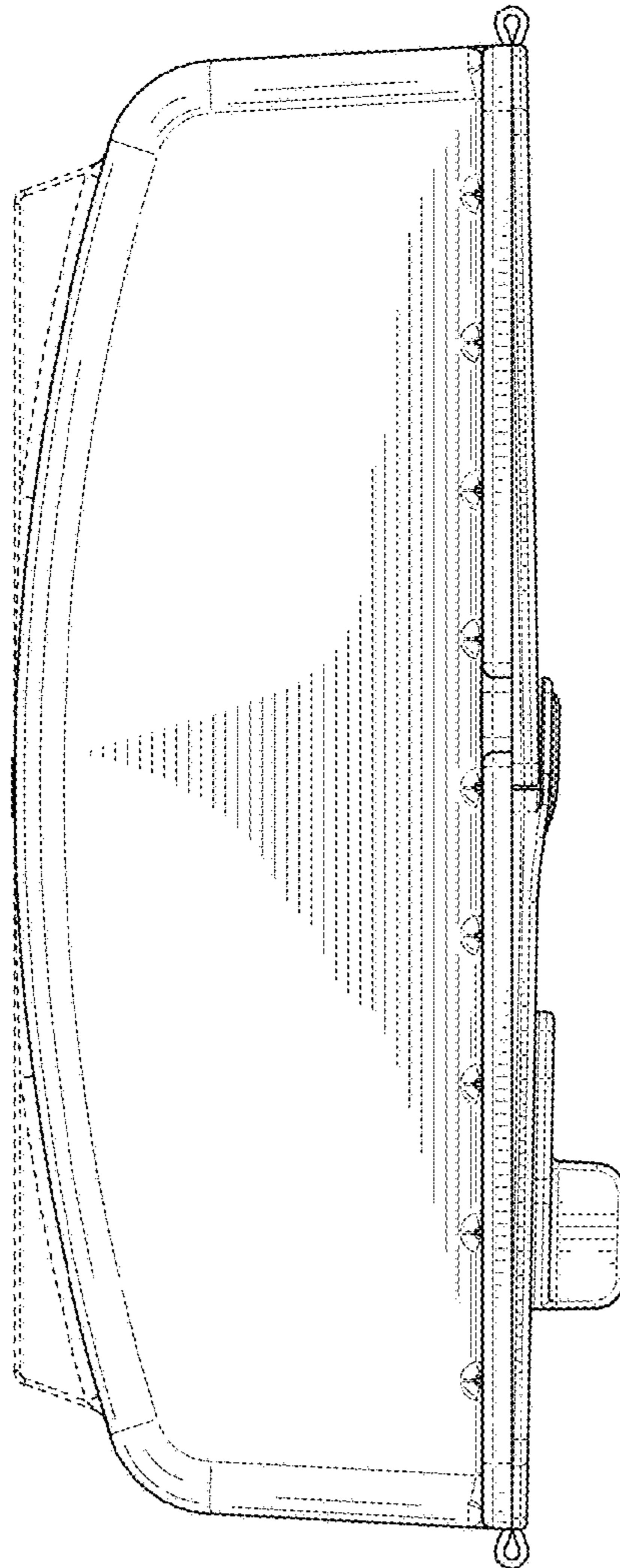


FIG. 5

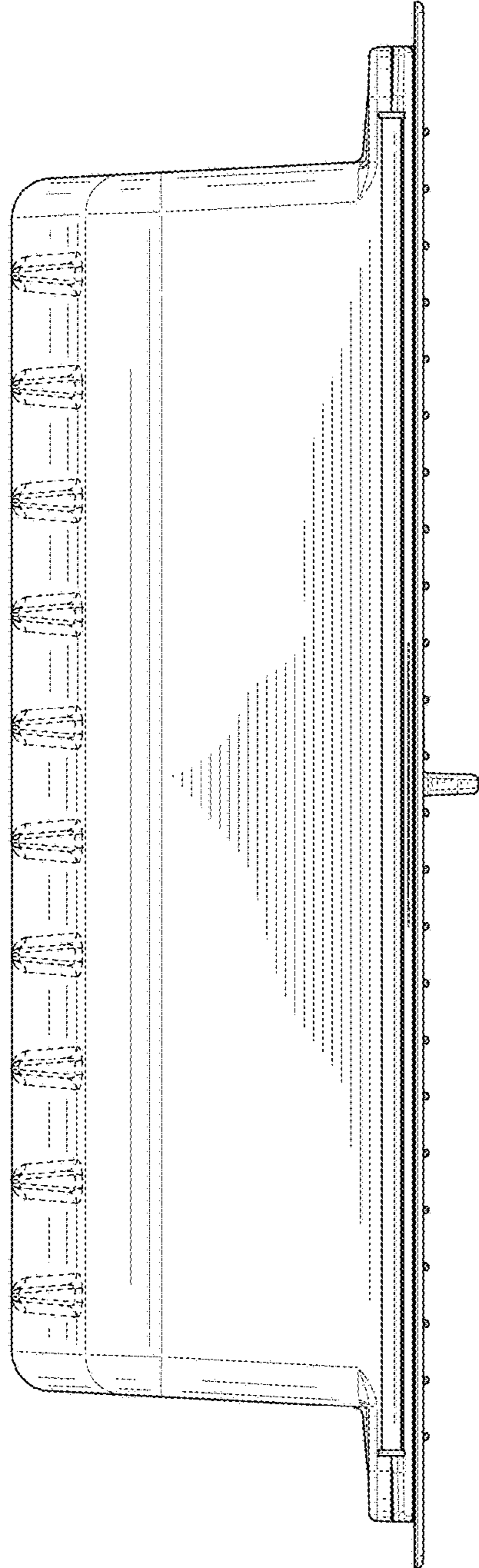


FIG. 6

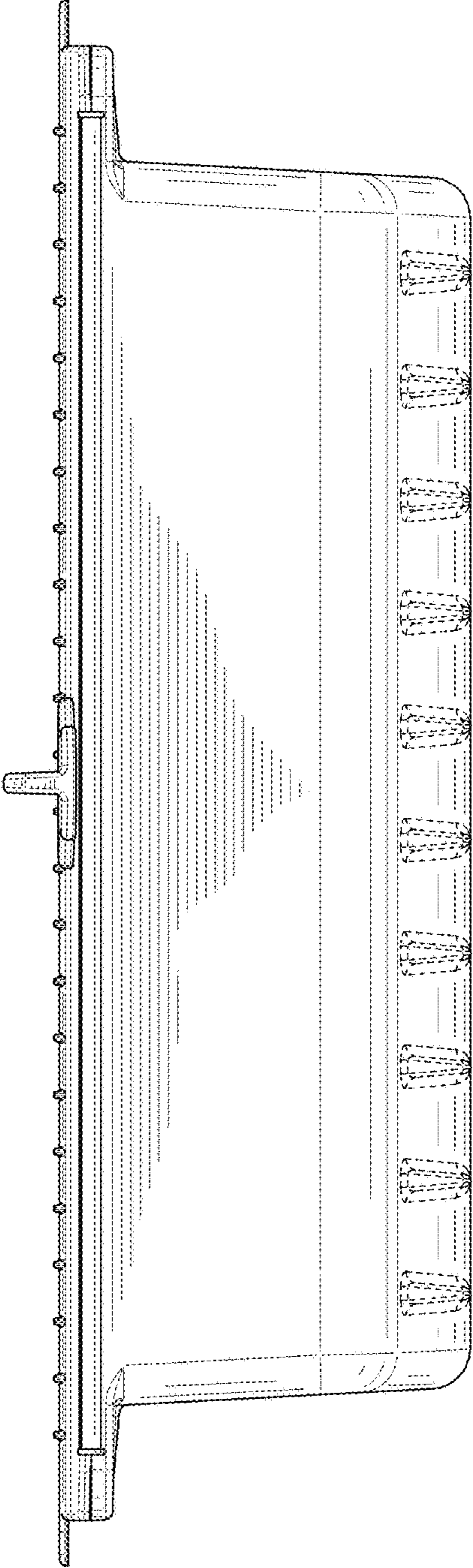


FIG. 7