



US00D854368S

(12) **United States Design Patent**
Kim et al.

(10) **Patent No.:** **US D854,368 S**
(45) **Date of Patent:** **** Jul. 23, 2019**

(54) **GAS OVEN RANGE WITH SOUS VIDE COOKER AND GRIDDLE**

(71) Applicant: **LG ELECTRONICS INC., Seoul (KR)**

(72) Inventors: **Sooyeon Kim, Seoul (KR); Hanjin Jung, Seoul (KR); Songyi Han, Seoul (KR); Inhwan Ryu, Seoul (KR); Jinwon Kang, Seoul (KR)**

(73) Assignee: **LG ELECTRONICS INC., Seoul (KR)**

(**) Term: **15 Years**

(21) Appl. No.: **35/504,244**

(22) Filed: **Jun. 23, 2017**

(80) **Hague Agreement Data**

Int. Filing Date: **Jun. 23, 2017**

Int. Reg. No.: **DM/096738**

Int. Reg. Date: **Jun. 23, 2017**

Int. Reg. Pub. Date: **Dec. 29, 2017**

(30) **Foreign Application Priority Data**

Dec. 23, 2016 (KR) 30-2016-0063068

(51) **LOC (11) Cl.** **07-02**

(52) **U.S. Cl.**
USPC **D7/340**

(58) **Field of Classification Search**

USPC D7/323, 339-341, 346-349, 402-409

CPC F24B 1/00; F24B 1/20; F24C 3/00; F24C 3/002; F24C 3/008; F24C 5/00; F24C 7/00; F24C 7/002; F24C 1/00; H05B 1/0261; H05B 1/0263; H05B 1/0266

See application file for complete search history.

(56) **References Cited**

U.S. PATENT DOCUMENTS

D615,344 S * 5/2010 Grey D7/340

D615,800 S * 5/2010 Grey D7/340

D616,695 S * 6/2010 Grey D7/340
D617,133 S * 6/2010 Grey D7/340
D656,776 S * 4/2012 Funnell, II D7/340
D669,728 S * 10/2012 Funnell, II D7/340
D669,729 S * 10/2012 Funnell, II D7/340
D670,969 S * 11/2012 Bengtson D7/406
D682,602 S * 5/2013 Funnell, II D7/340
D682,603 S * 5/2013 Funnell, II D7/340

(Continued)

Primary Examiner — Sheryl Lane

Assistant Examiner — Nicole C Shiflet

(74) *Attorney, Agent, or Firm* — Birch, Stewart, Koalsch & Birch, LLP

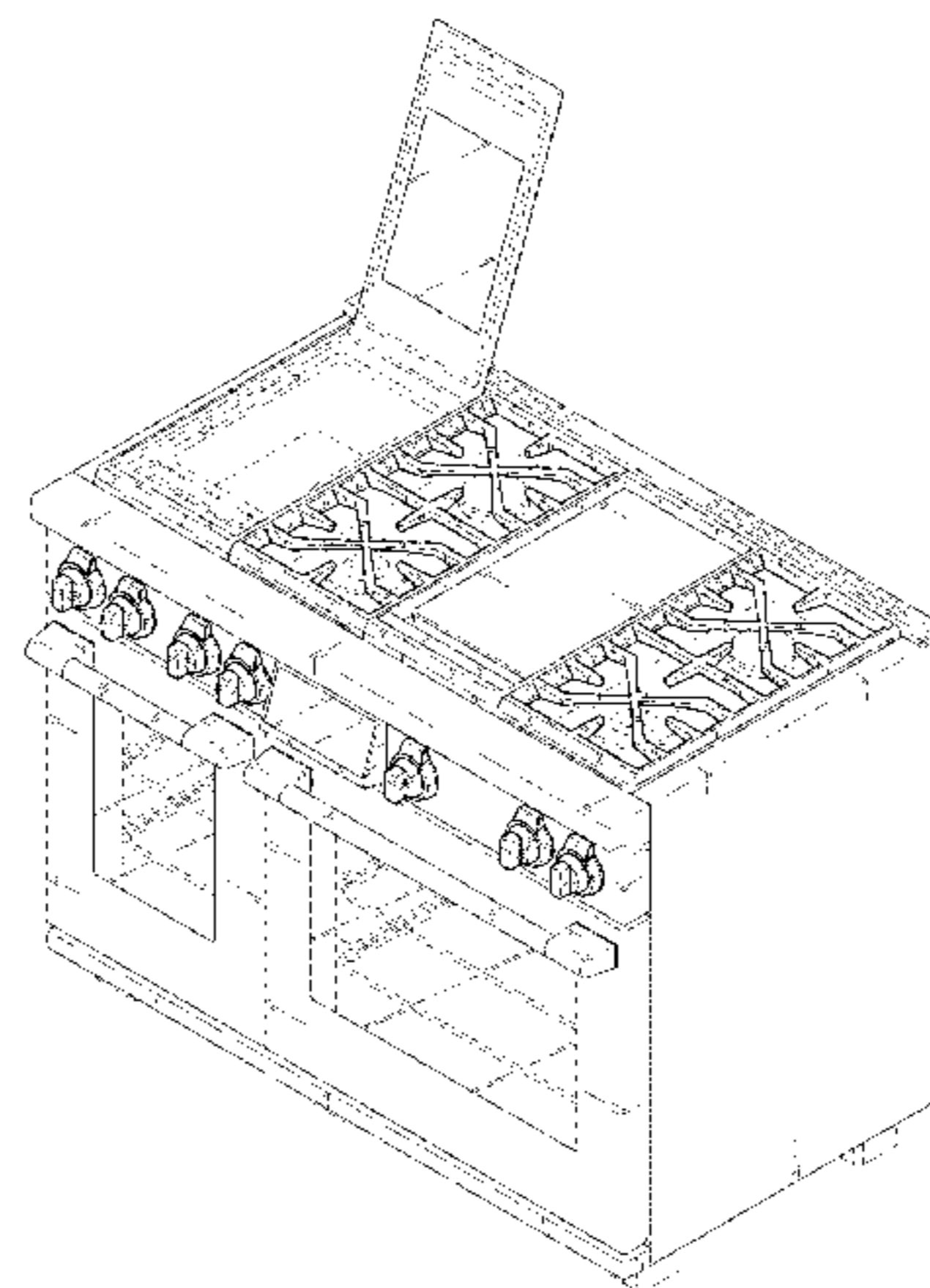
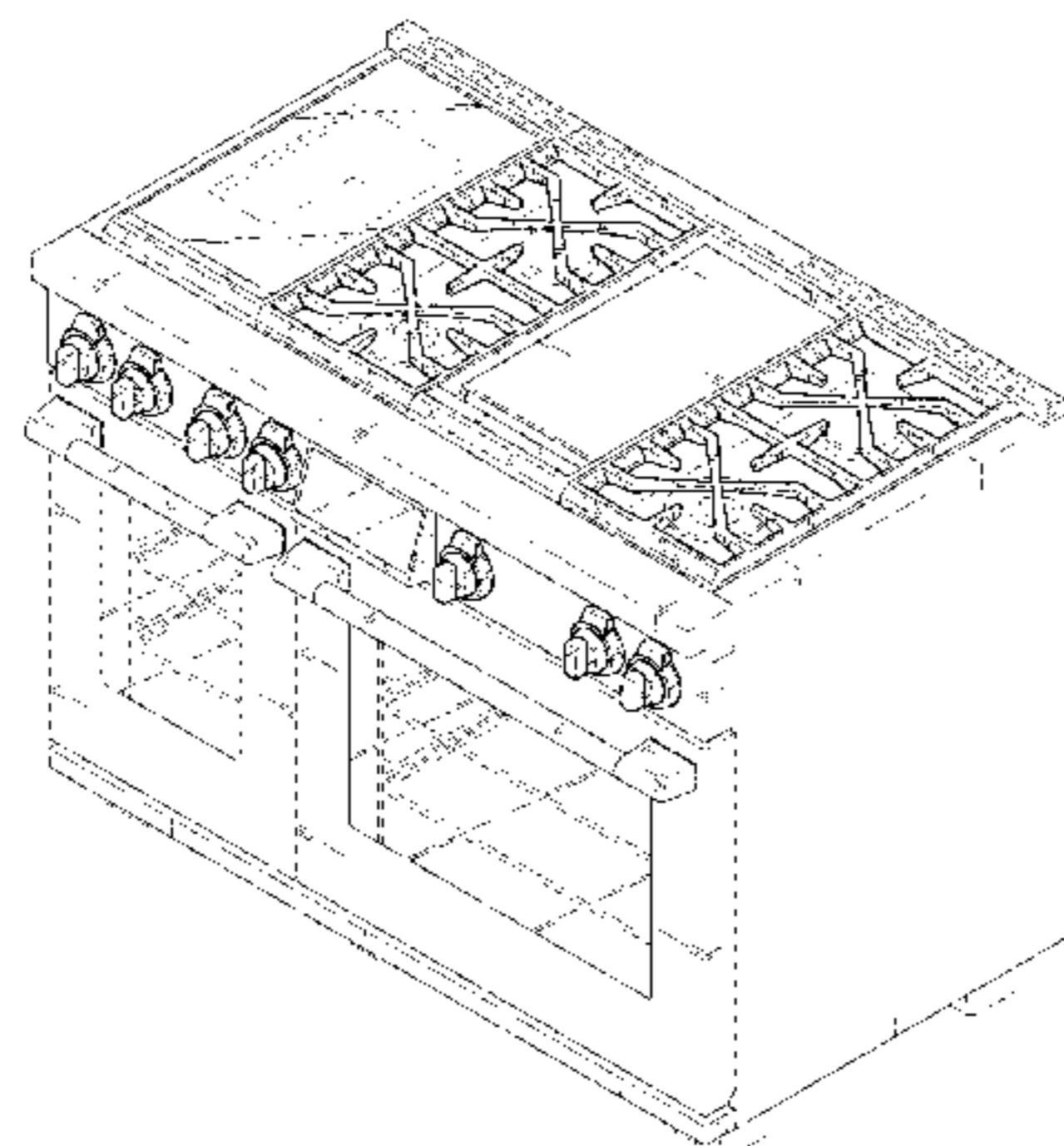
(57) **CLAIM**

The ornamental design for a gas oven range with sous vide cooker and griddle, as shown and described.

DESCRIPTION

1. Gas oven range with sous vide cooker and griddle
1.1 is a front perspective view of a gas oven range with sous vide cooker and griddle;
1.2 is a front view thereof;
1.3 is a back view thereof;
1.4 is a left view thereof;
1.5 is a right view thereof;
1.6 is a top view thereof;
1.7 is a bottom view thereof;
1.8 is a back perspective view thereof; and
1.9 is a front perspective view of the gas oven range with sous vide cooker and griddle in an open position.
This is a design for a gas oven range with sous vide cooker and griddle. The modular sous vide cooker at the top part of the range can be changed in position. There is a touch display at the top center of the front part.
The broken lines depict portions of the gas oven range with sous vide cooker and griddle that form no part of the claimed design.

1 Claim, 9 Drawing Sheets



(56)

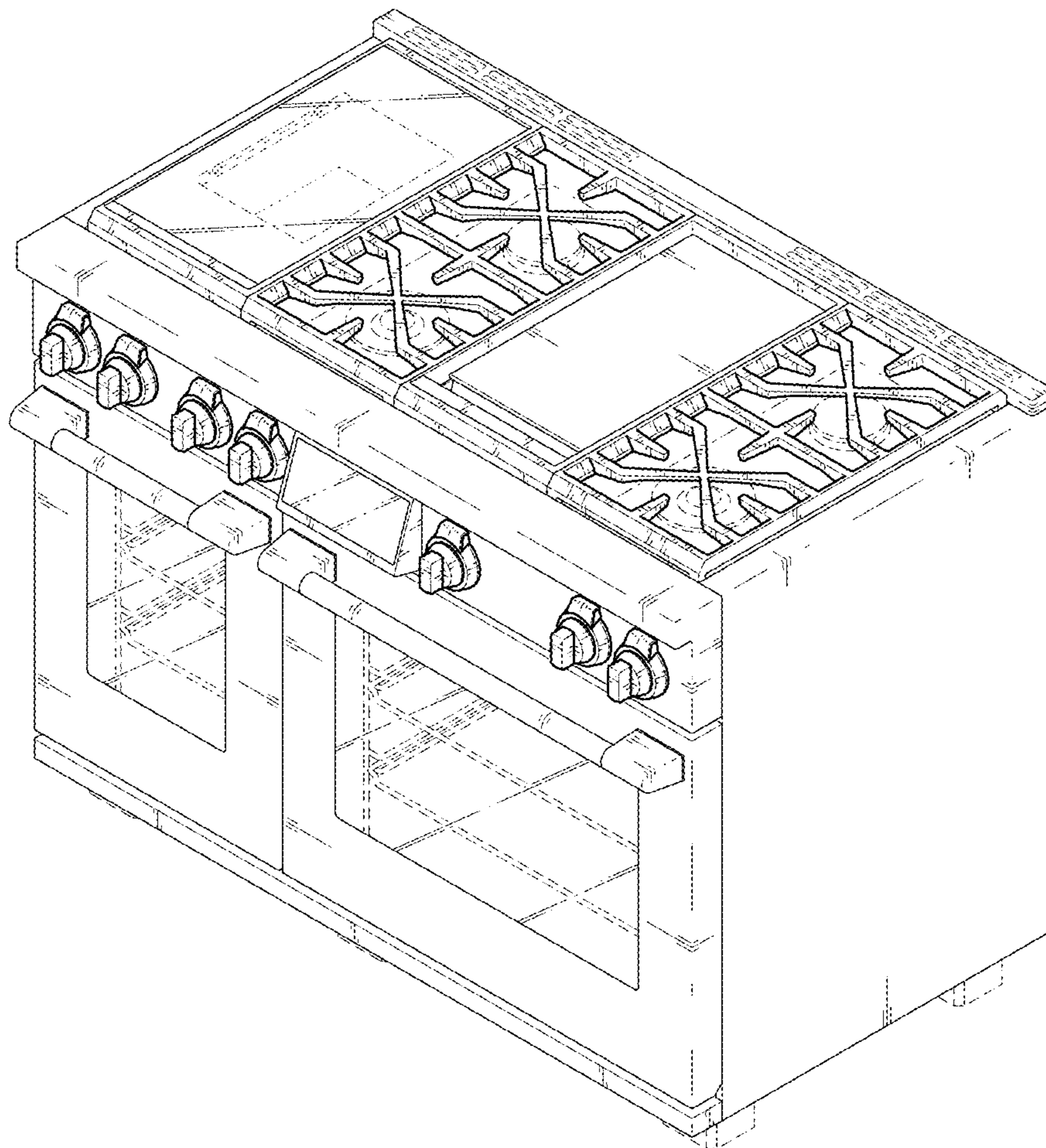
References Cited

U.S. PATENT DOCUMENTS

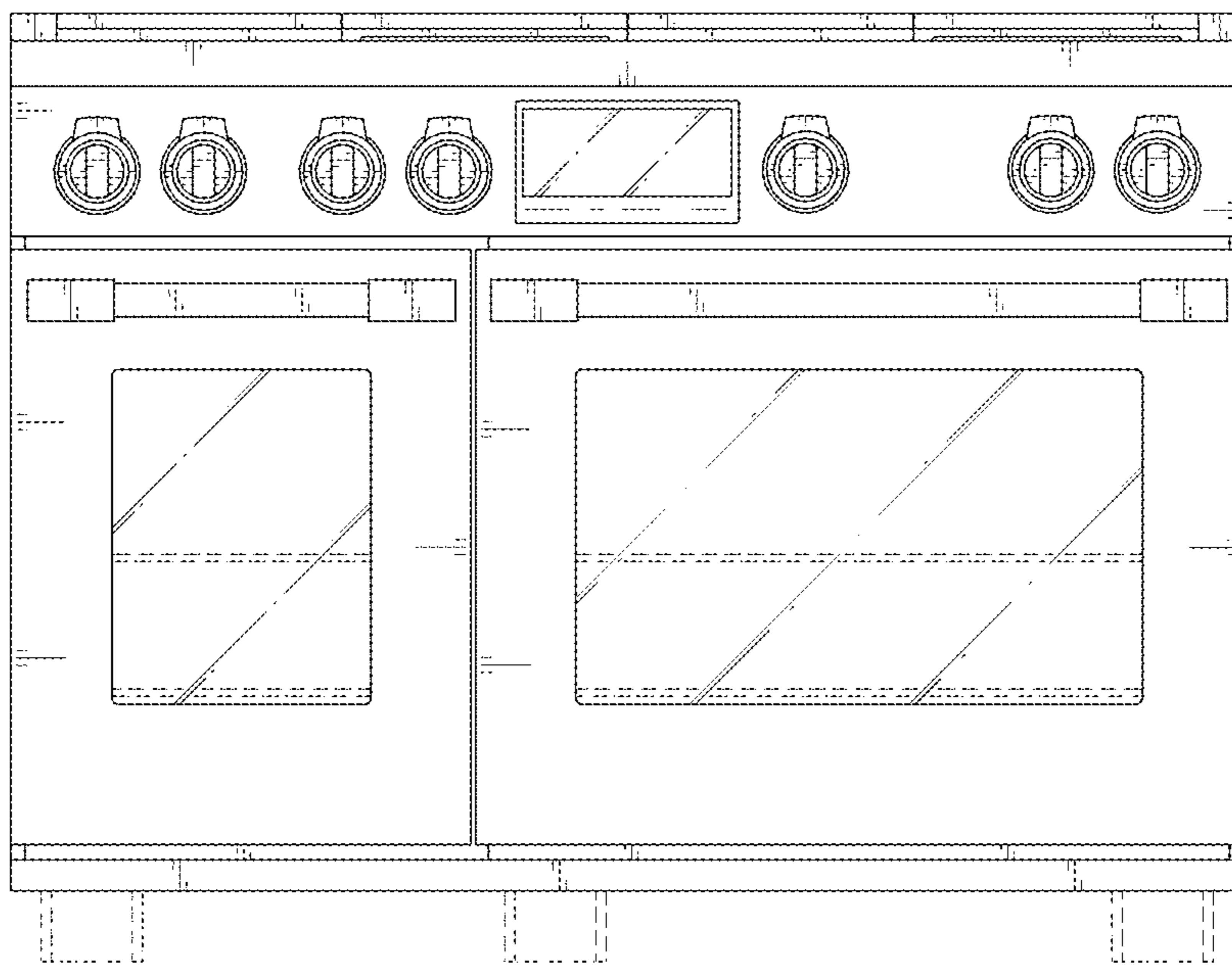
D699,503	S	*	2/2014	Funnell, II	D7/340
D701,074	S	*	3/2014	Funnell, II	D7/340
D742,688	S	*	11/2015	Funnell, II	D7/405
D750,432	S	*	3/2016	Funnell, II	D7/406
D760,024	S	*	6/2016	Funnell, II	D7/405
D763,616	S	*	8/2016	Kim	D7/339
D808,705	S	*	1/2018	Kim	D7/340
D808,706	S	*	1/2018	Kim	D7/340
D808,707	S	*	1/2018	Kim	D7/340
D817,688	S	*	5/2018	Kim	D7/340
D818,303	S	*	5/2018	Kim	D7/340
D829,482	S	*	10/2018	Incukur	D7/340
D829,503	S	*	10/2018	Kim	D7/408

* cited by examiner

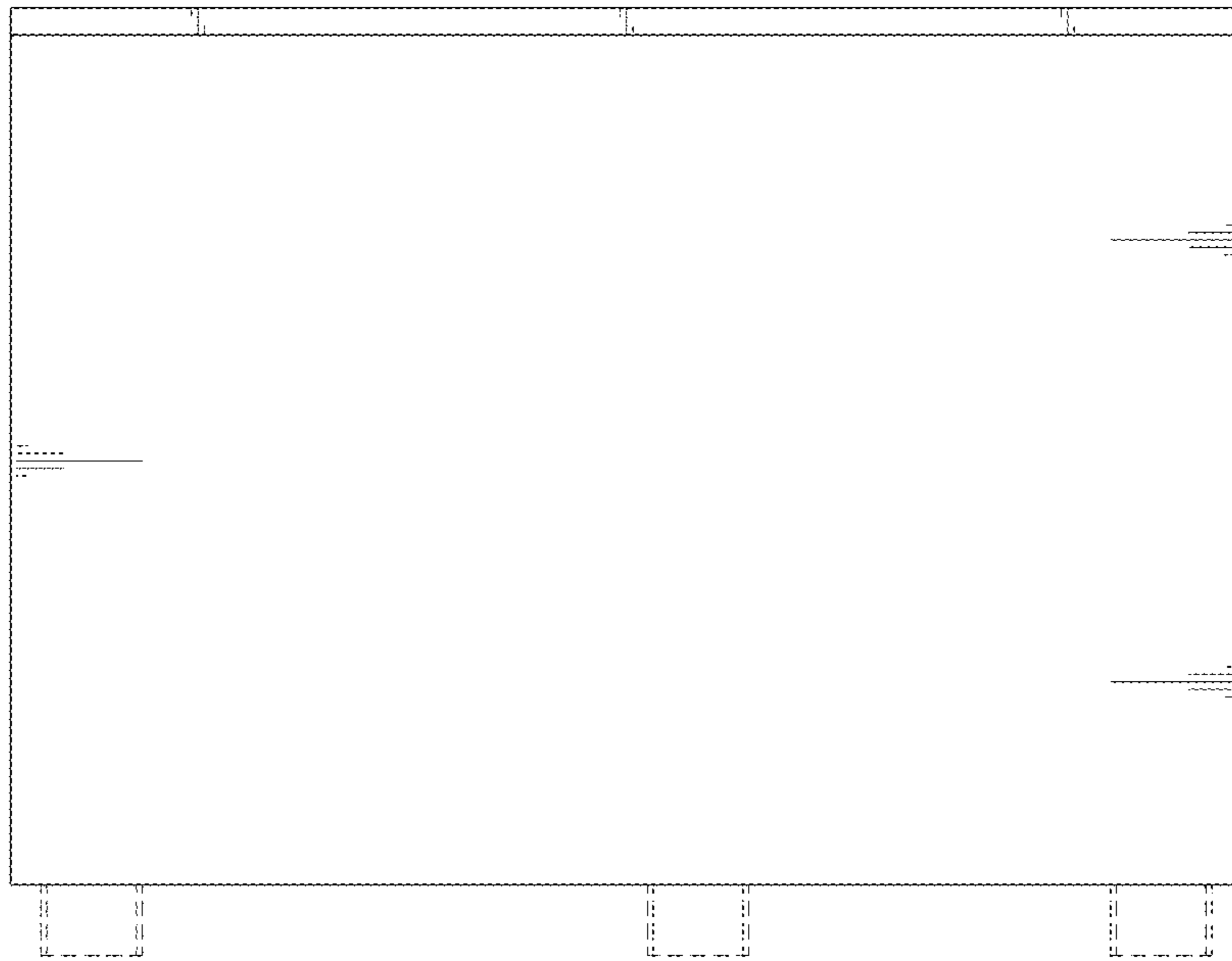
1.1



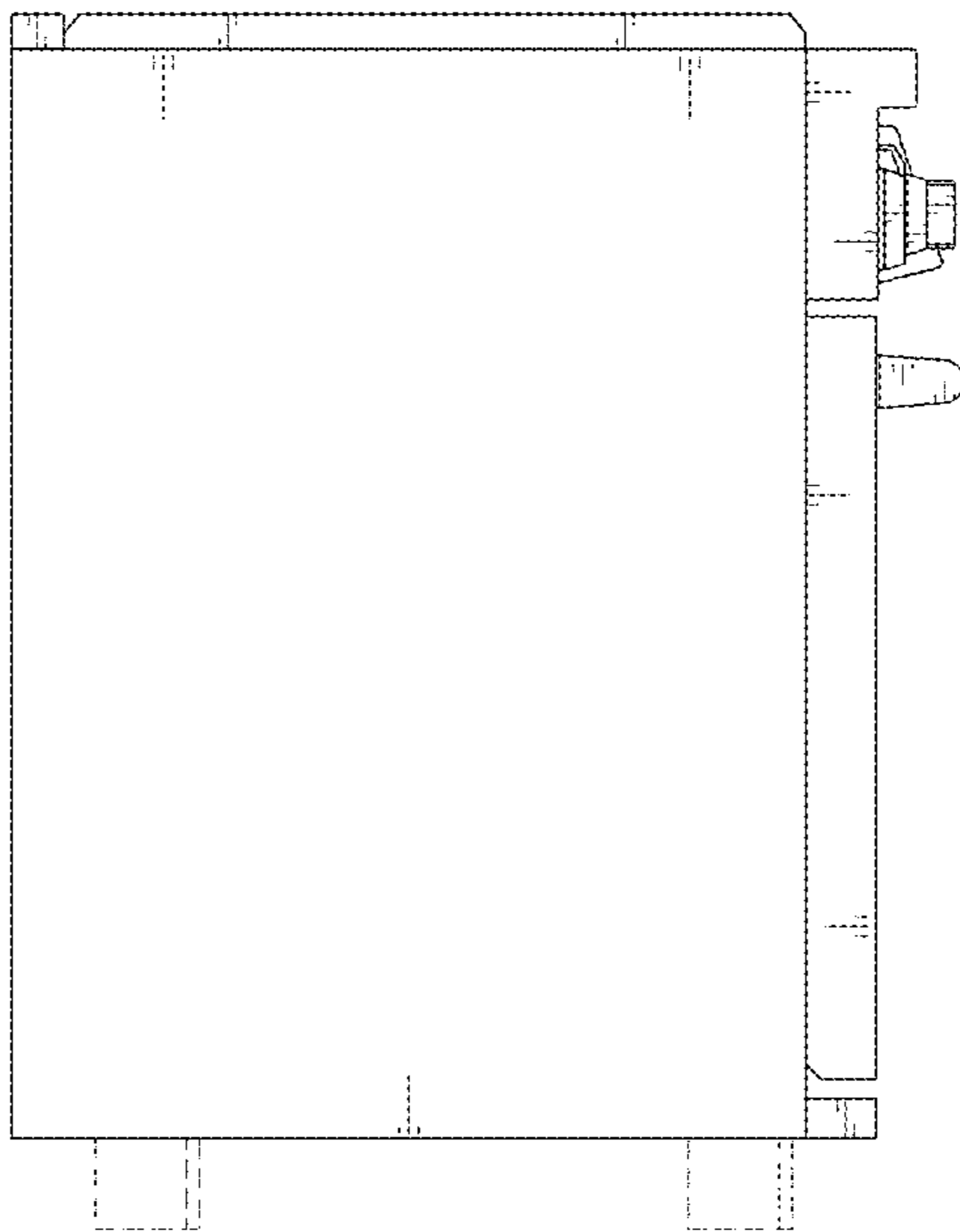
1.2



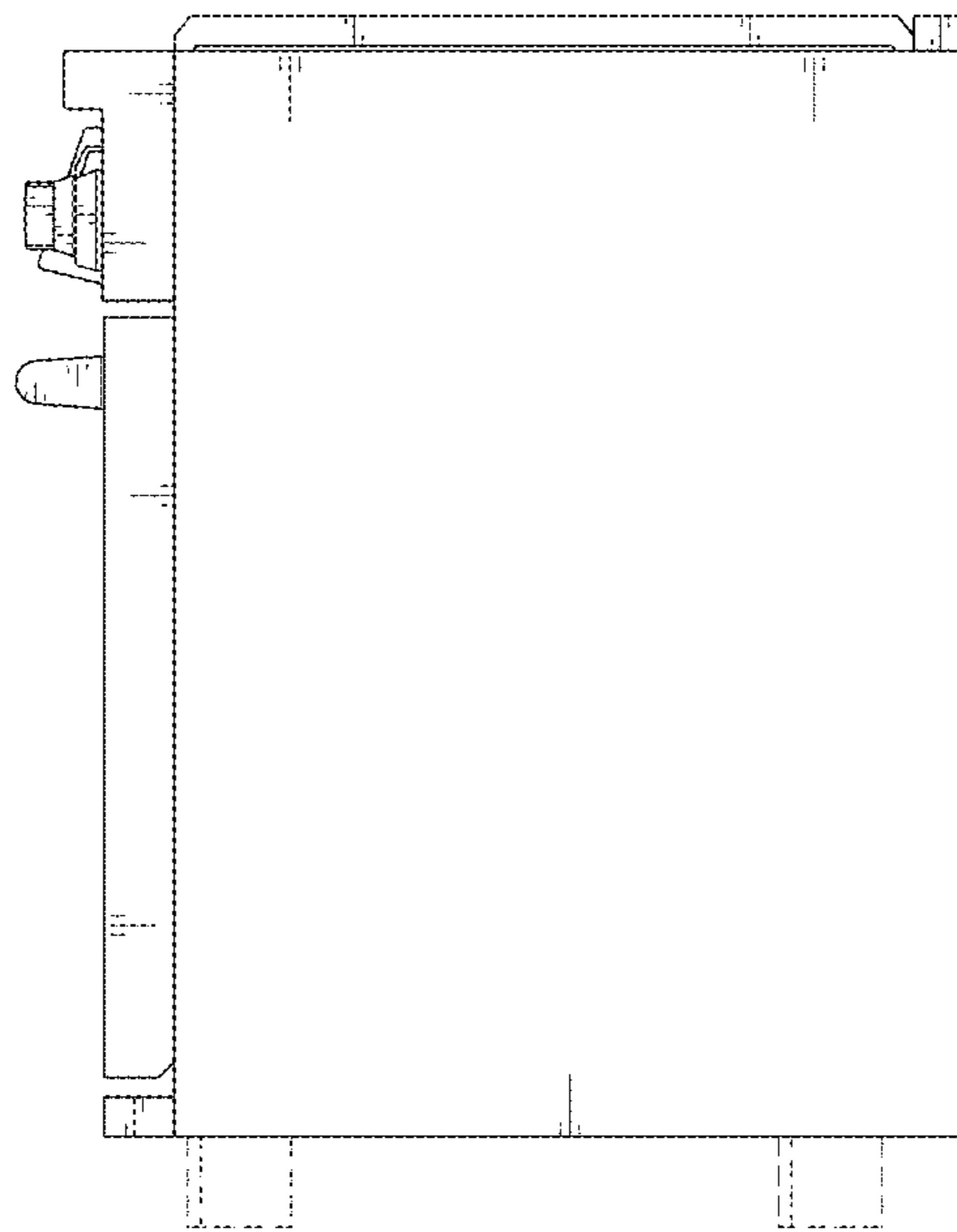
1.3



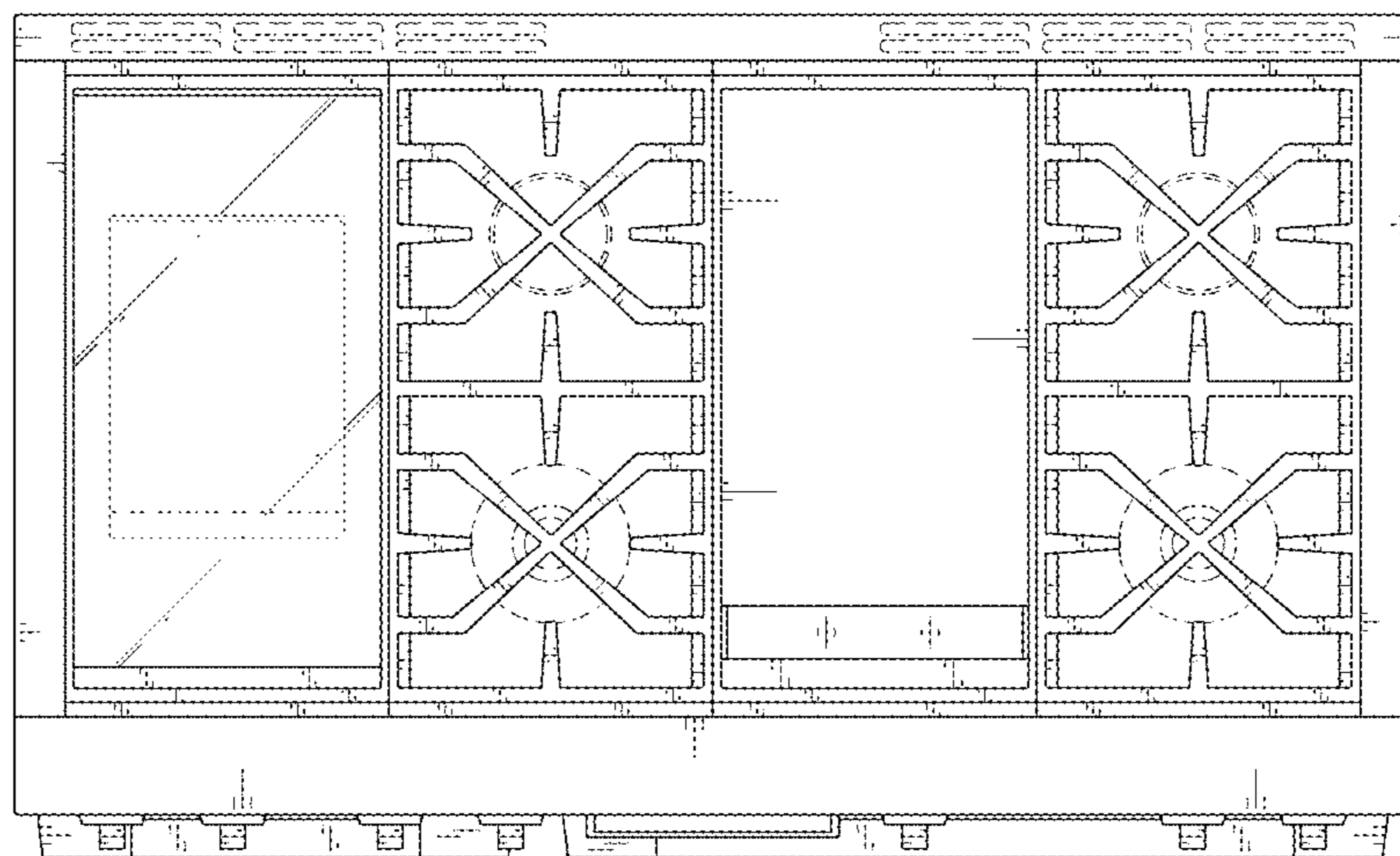
1.4



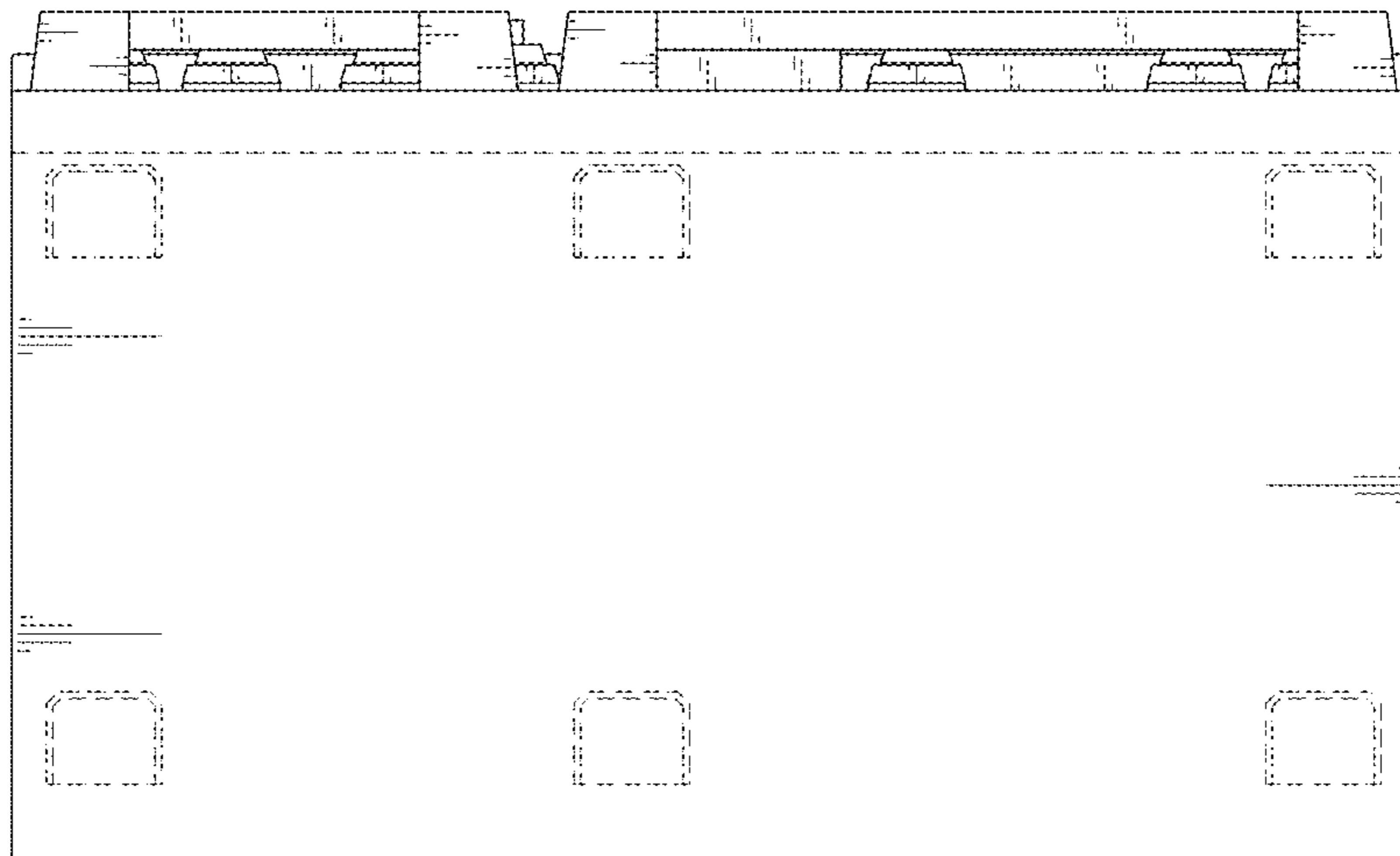
1.5



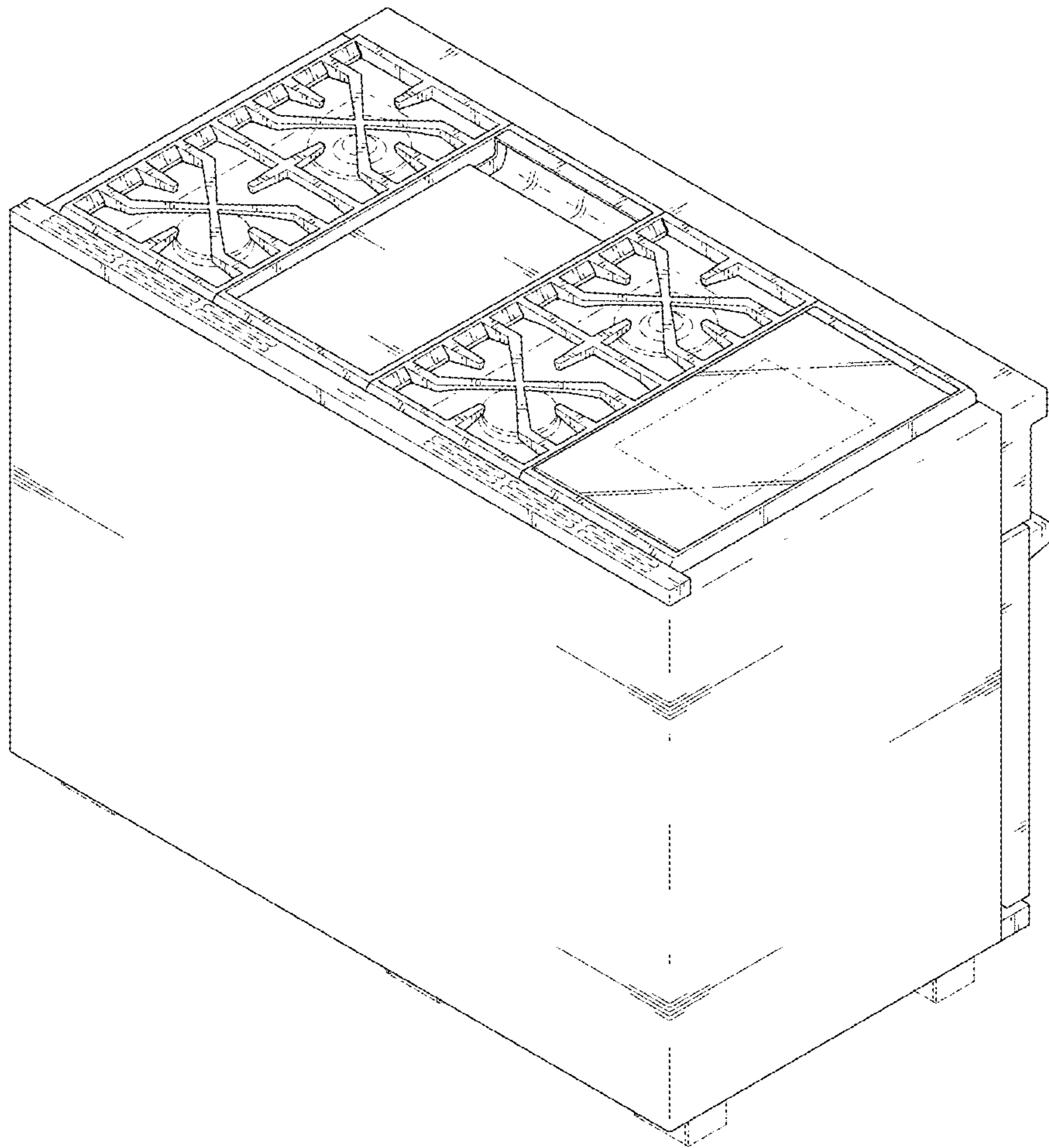
1.6



1.7



1.8



1.9

