



US00D854365S

(12) **United States Design Patent**  
**Hines et al.**

(10) **Patent No.:** **US D854,365 S**  
(45) **Date of Patent:** **\*\* Jul. 23, 2019**

- (54) **BEVERAGE MACHINE**
- (71) Applicant: **Keurig Green Mountain, Inc.**,  
Waterbury, VT (US)
- (72) Inventors: **Benjamin Hines**, Cranston, RI (US);  
**Steffen F. Koury**, Nahant, MA (US);  
**James T. McGee**, Winthrop, MA (US);  
**Paul K. Metaxatos**, Swampscott, MA  
(US)
- (73) Assignee: **Keurig Green Mountain, Inc.**,  
Burlington, MA (US)
- (\*\*) Term: **15 Years**
- (21) Appl. No.: **29/627,998**
- (22) Filed: **Nov. 30, 2017**
- (51) **LOC (11) Cl.** ..... **07-01**
- (52) **U.S. Cl.**  
USPC ..... **D7/306; D7/311; D7/309**
- (58) **Field of Classification Search**  
USPC ..... D7/306-311, 305, 300; 99/279, 284,  
99/290, 280, 299, 307, 297, 295  
CPC .. A47J 31/44; A47J 31/00; A47J 31/46; A47J  
31/10; A47J 31/369; A47J 31/06  
See application file for complete search history.

- D702,984 S \* 4/2014 Hanneson ..... D7/306
- D719,404 S \* 12/2014 Manly ..... D7/306
- D720,180 S \* 12/2014 Manly ..... D7/306
- D721,247 S \* 1/2015 Manly ..... D7/306
- D721,248 S \* 1/2015 Manly ..... D7/306
- D722,463 S \* 2/2015 Manly ..... D7/306
- D723,317 S \* 3/2015 Manly ..... D7/306
- D735,517 S \* 8/2015 Burrows ..... D7/306
- D736,481 S \* 8/2015 Cornwell ..... D30/122
- D741,101 S \* 10/2015 Luippold ..... D7/306
- D747,047 S \* 1/2016 Cornwell ..... D30/122
- D755,000 S \* 5/2016 Lovati ..... D7/306
- D756,157 S \* 5/2016 Murphy ..... D7/306
- D756,696 S \* 5/2016 Murphy ..... D7/306
- D756,697 S \* 5/2016 Burrows ..... D7/309
- D760,008 S \* 6/2016 Moon, II ..... D7/306
- 9,549,636 B2 1/2017 Smith et al.
- D779,257 S \* 2/2017 Hale ..... D7/306
- D786,602 S \* 5/2017 Palermo ..... D7/306
- D796,885 S \* 9/2017 Wang ..... D7/306

(Continued)

*Primary Examiner* — Marianne N Pandozzi

(74) *Attorney, Agent, or Firm* — Wolf, Greenfield & Sacks, P.C.

(57) **CLAIM**

The ornamental design for a beverage machine, as shown and described.

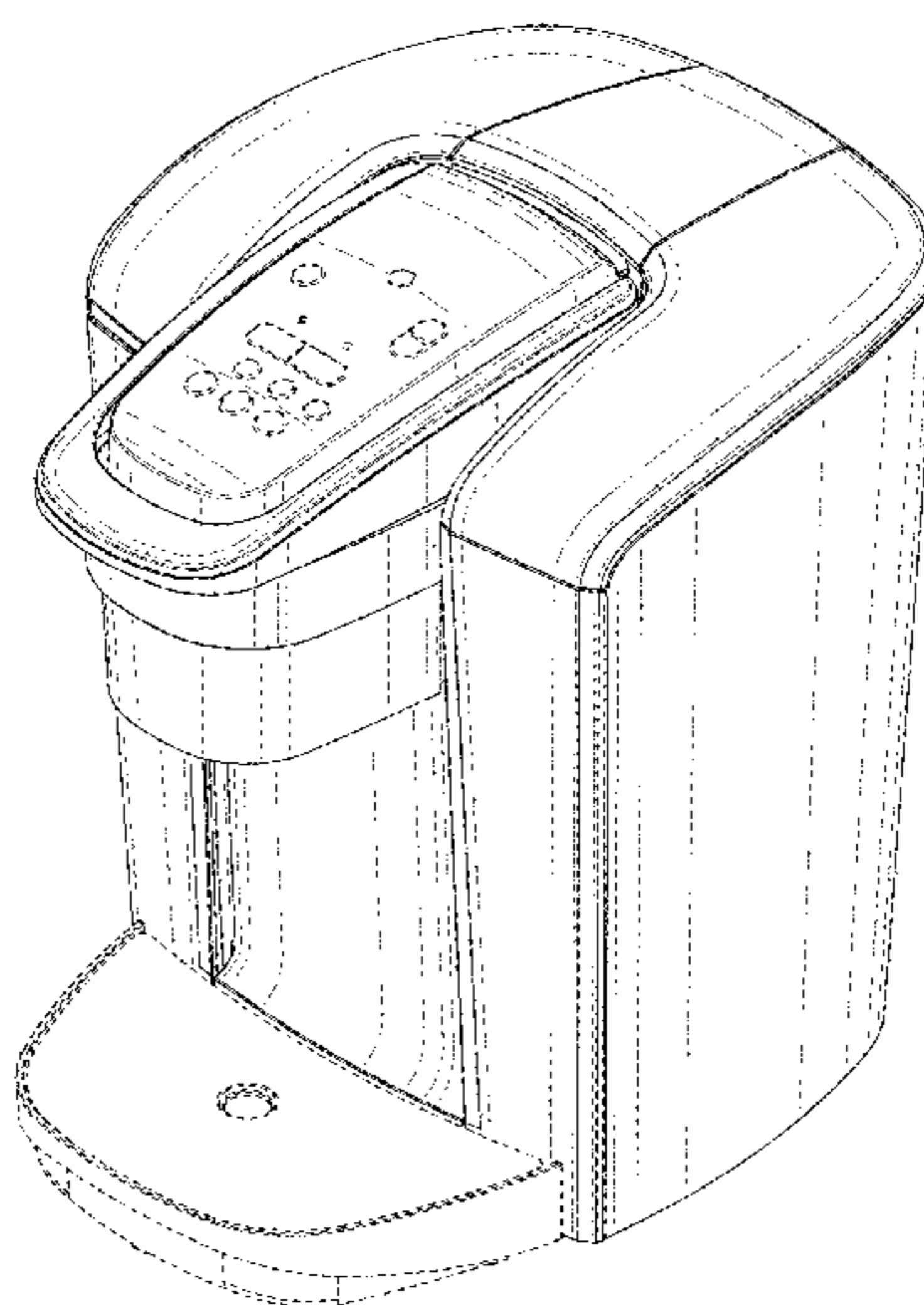
**DESCRIPTION**

FIG. 1 is a top, front, right side perspective view of the beverage machine according to our new design;  
 FIG. 2 is a front elevation view thereof;  
 FIG. 3 is a rear elevation view thereof;  
 FIG. 4 is a left side elevation view thereof;  
 FIG. 5 is a right side elevation view thereof;  
 FIG. 6 is a top plan view thereof; and,  
 FIG. 7 is a bottom plan view thereof.  
 The broken lines illustrate portions of the beverage machine that form no part of the claimed design.

**1 Claim, 7 Drawing Sheets**

(56) **References Cited**  
U.S. PATENT DOCUMENTS

- D513,572 S 1/2006 Schaffeld et al.
- D544,299 S \* 6/2007 Schaffeld ..... D7/397
- D637,859 S \* 5/2011 Orkney ..... D7/306
- D663,158 S \* 7/2012 Jacquet ..... D7/393
- 8,210,095 B2 \* 7/2012 Brezovnik ..... A47J 31/369  
99/279
- D667,674 S \* 9/2012 Wilder ..... D7/306
- D674,232 S \* 1/2013 Lavy ..... D7/309
- D674,233 S \* 1/2013 Lavy ..... D7/309
- D683,174 S \* 5/2013 Regamey ..... D7/306



(56)

**References Cited**

U.S. PATENT DOCUMENTS

D803,611 S \* 11/2017 Hanneson ..... D7/306  
2007/0056994 A1\* 3/2007 Woodnorth ..... A47J 31/46  
222/221  
2008/0134902 A1\* 6/2008 Zimmerman ..... A47J 31/32  
99/302 R  
2010/0024658 A1\* 2/2010 Jacobs ..... A47J 31/46  
99/302 R  
2014/0299000 A1\* 10/2014 Hanneson ..... A47J 31/46  
99/300

\* cited by examiner

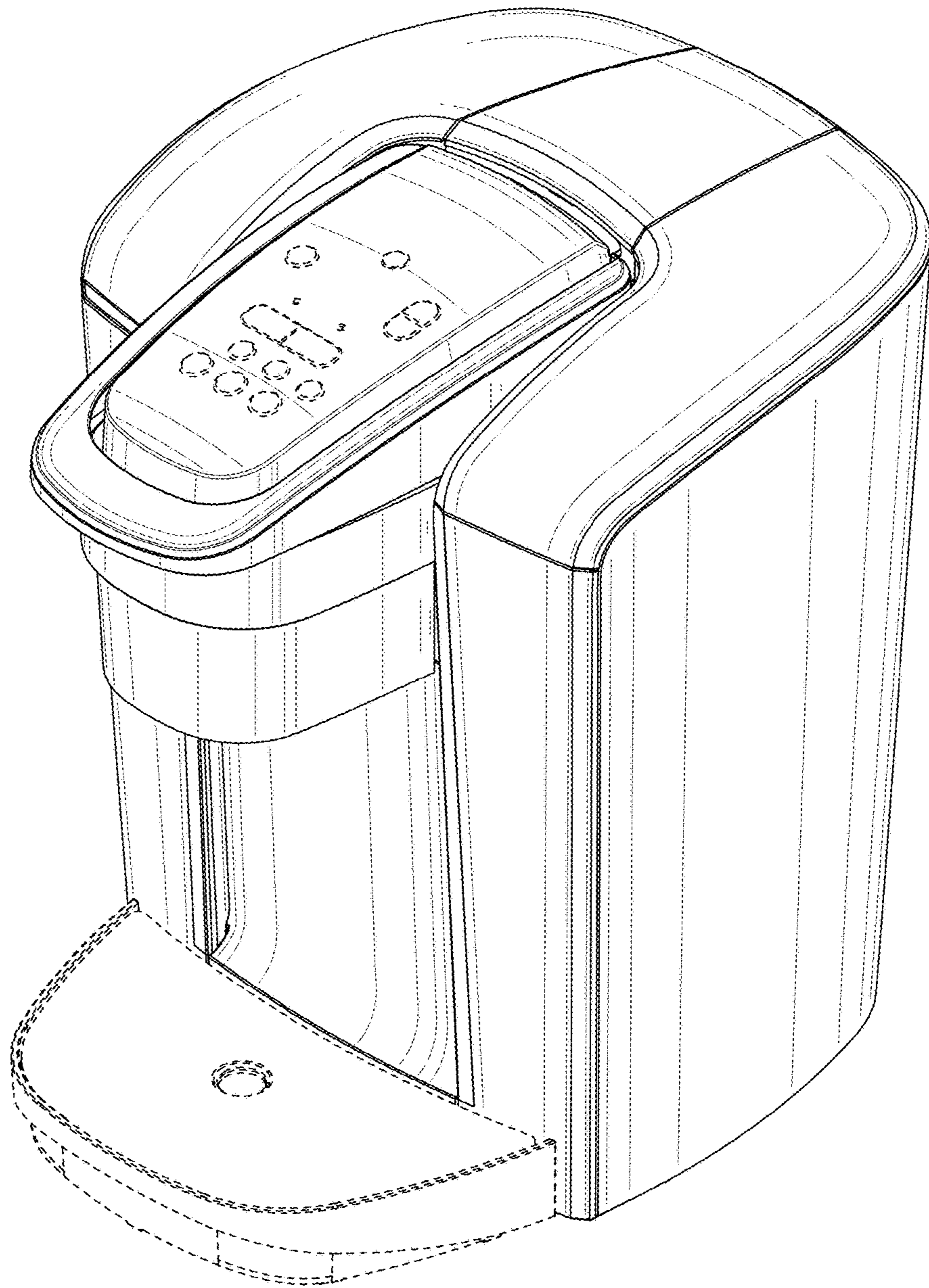


FIG. 1

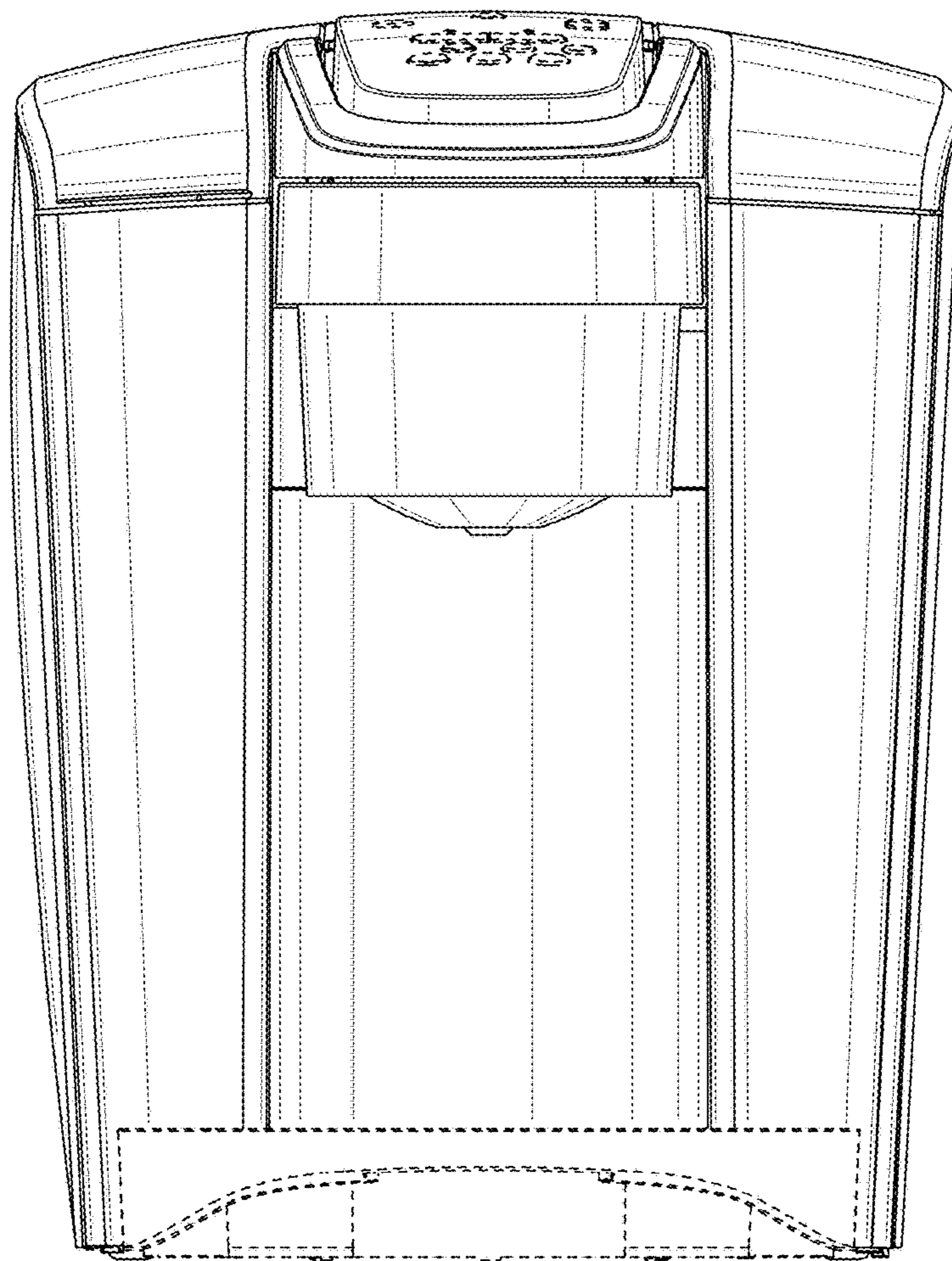


FIG. 2

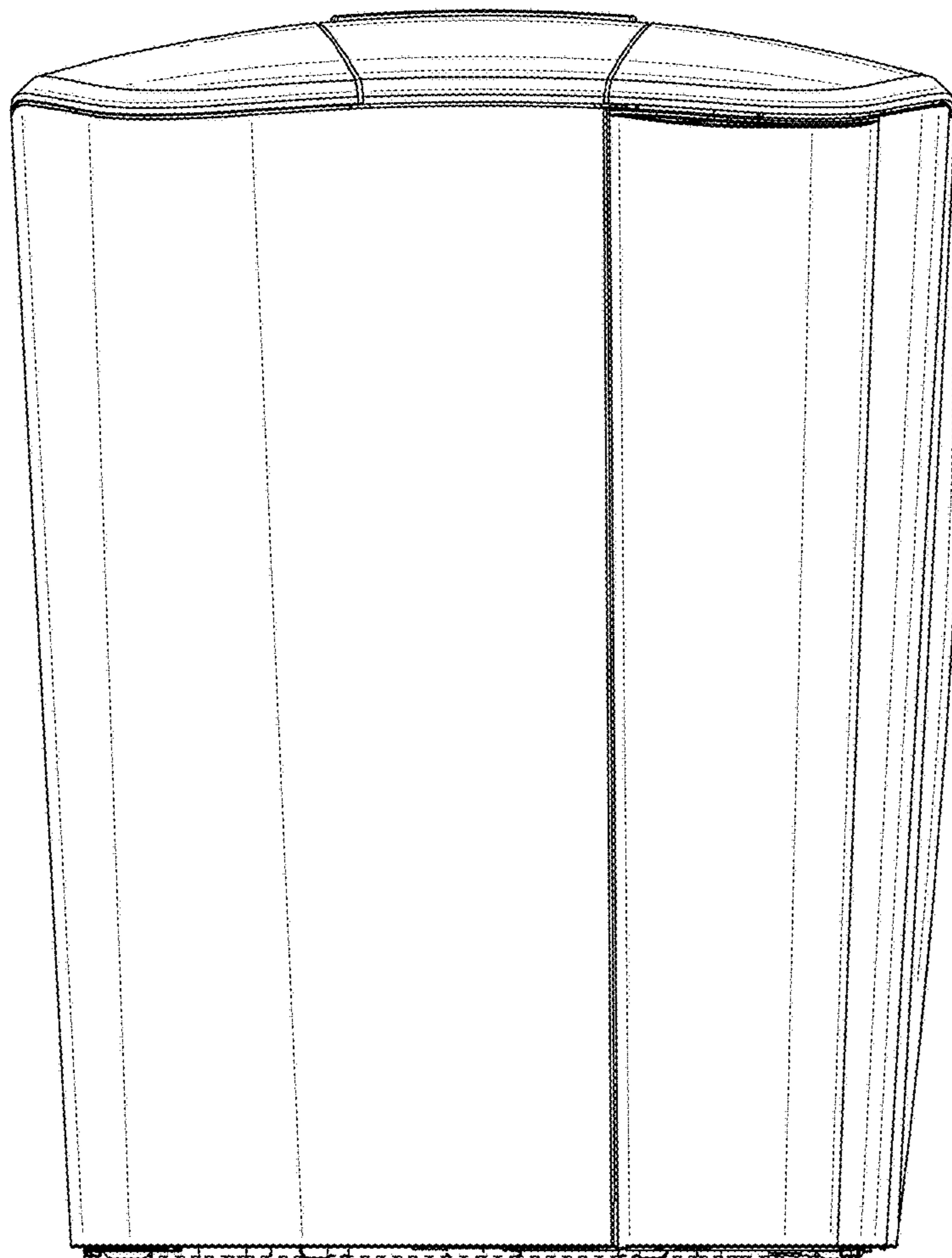


FIG. 3

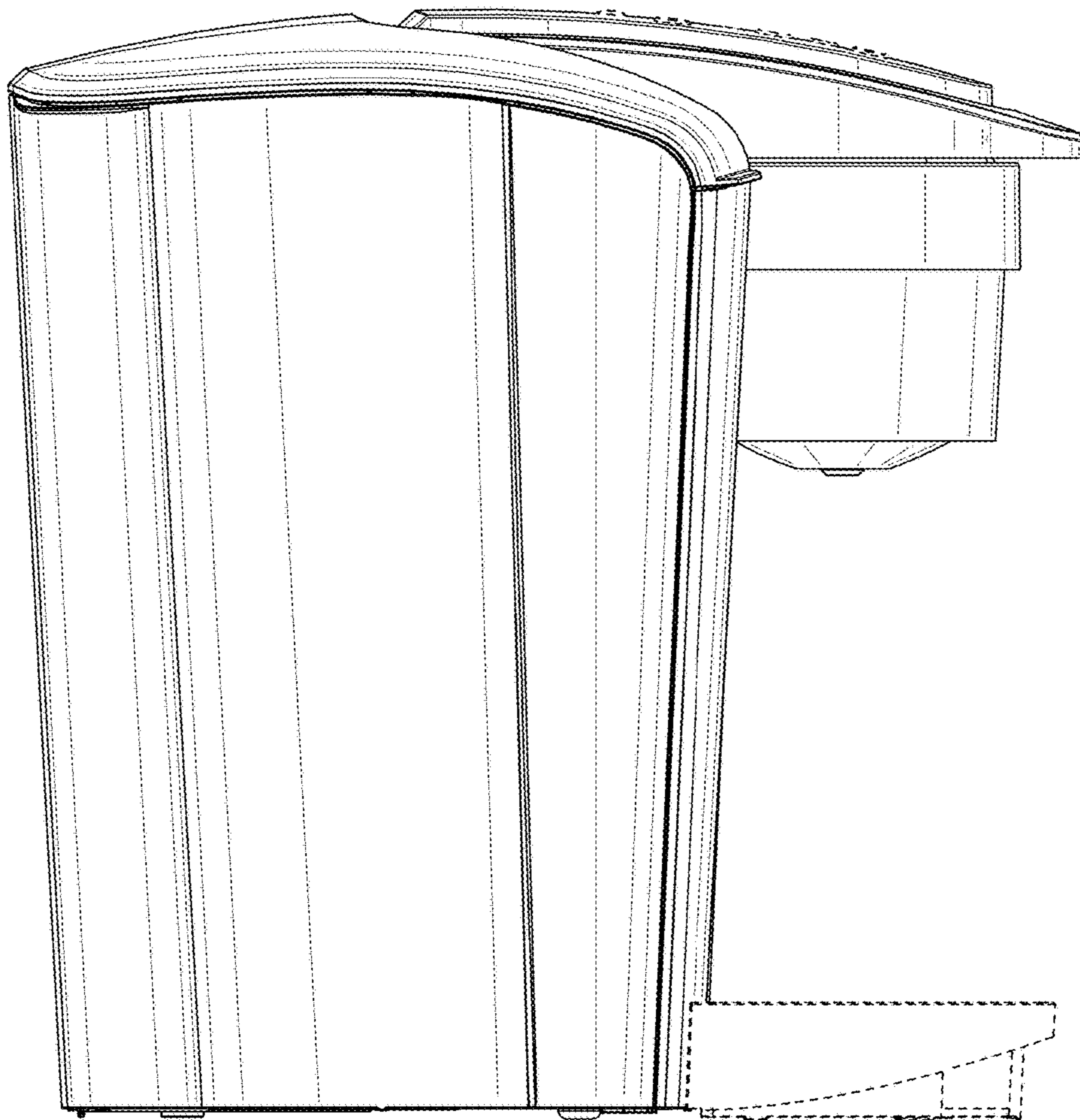


FIG. 4

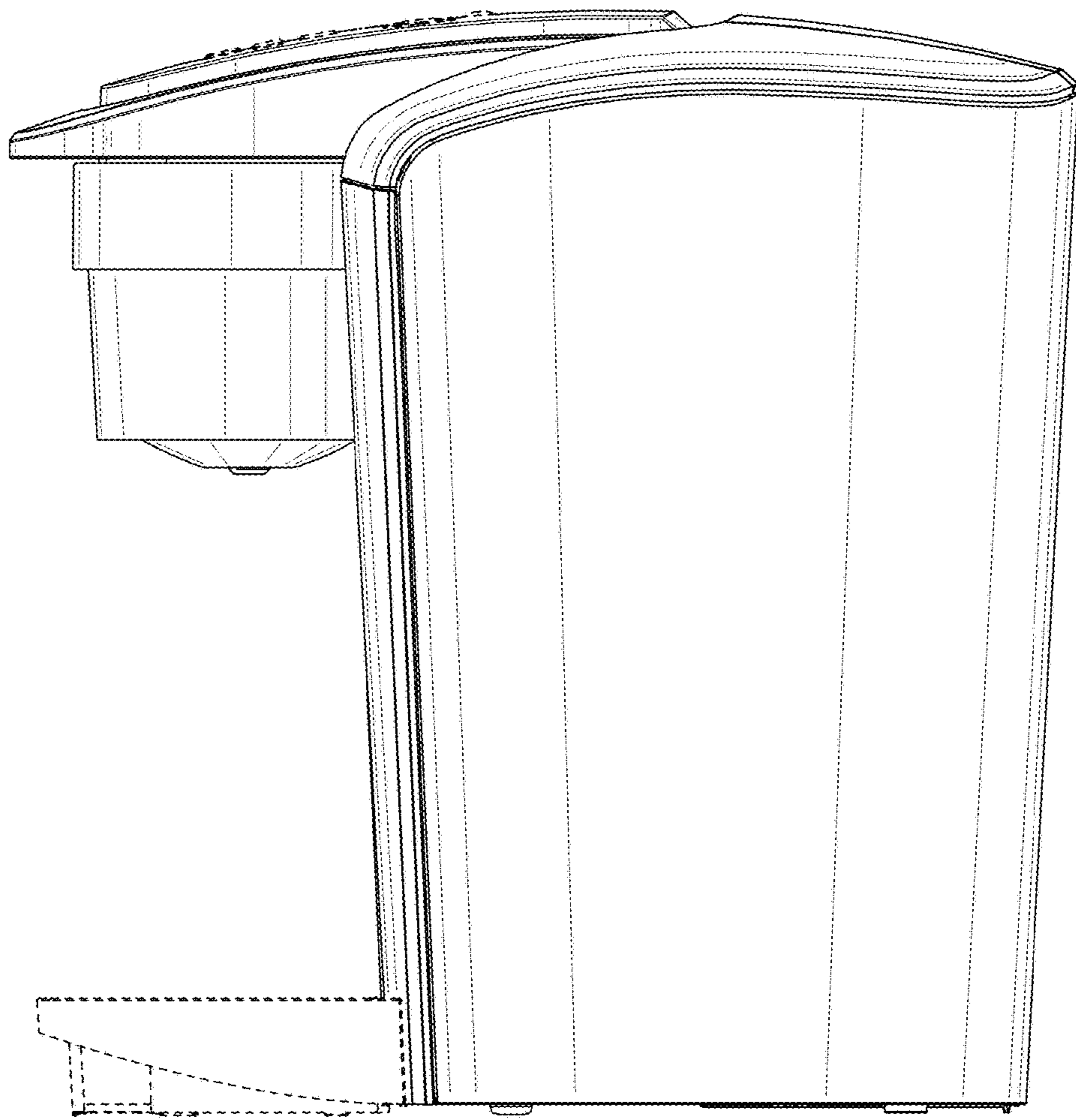


FIG. 5

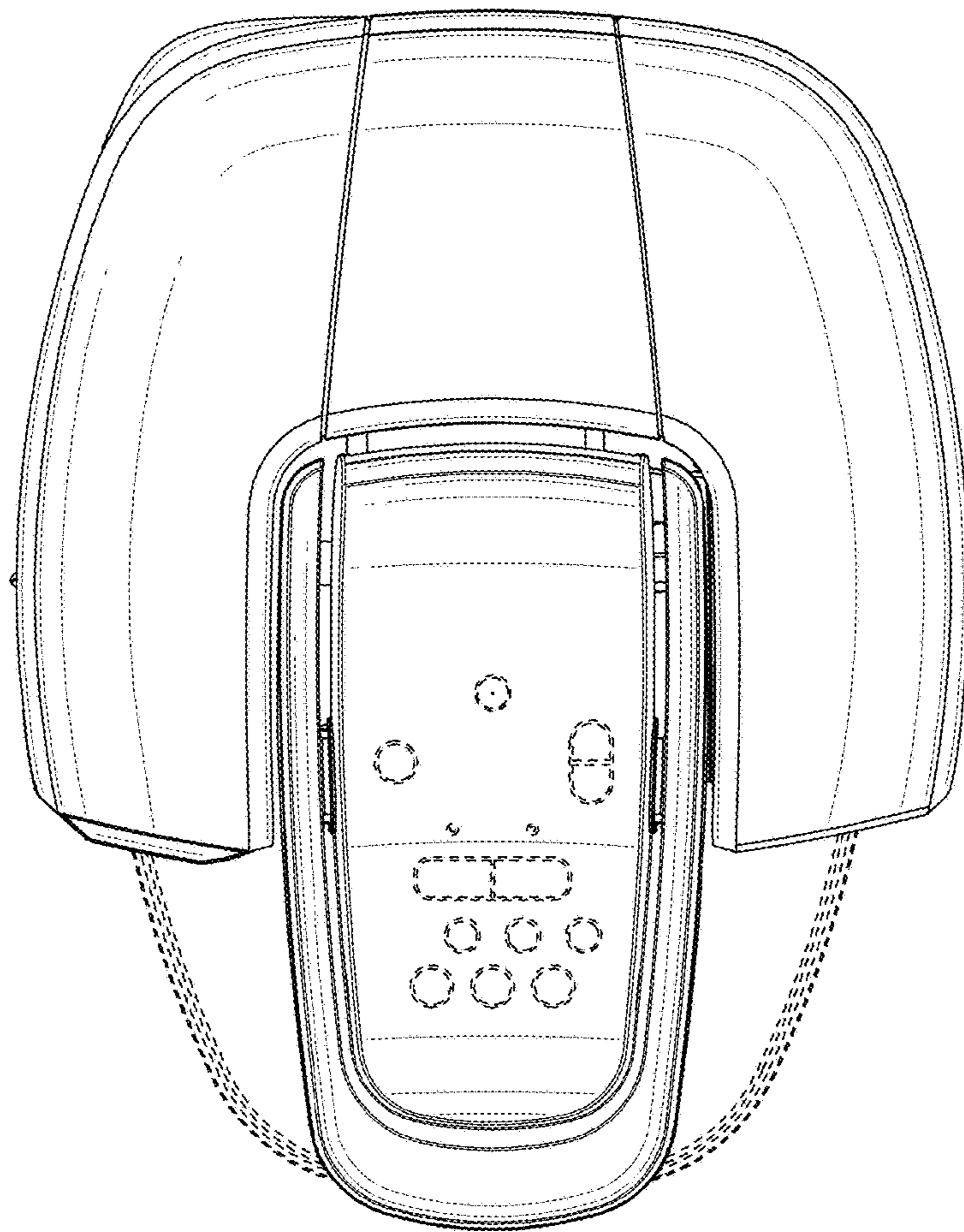


FIG. 6



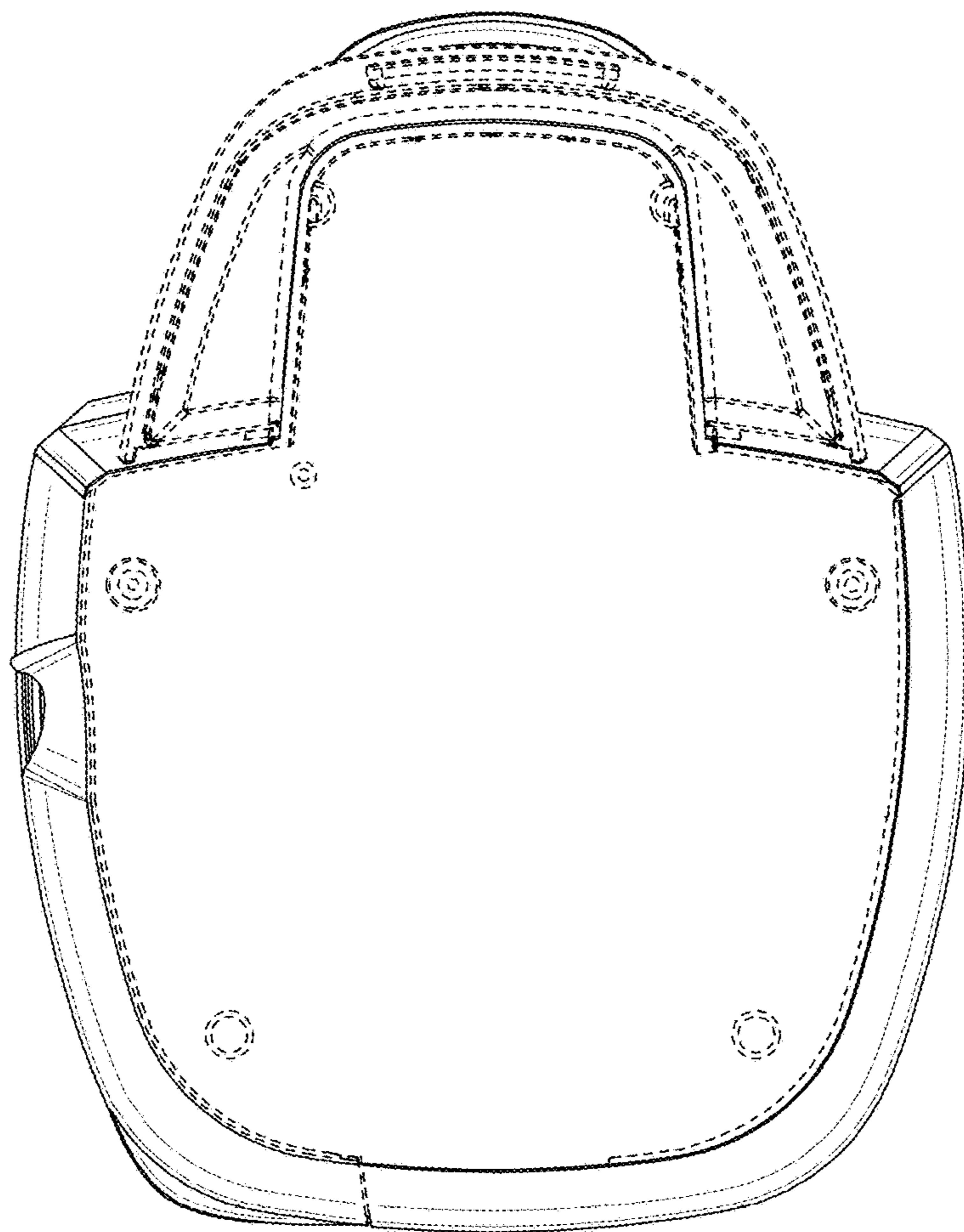


FIG. 7