



US00D854363S

(12) **United States Design Patent**
Behrmann

(10) **Patent No.:** **US D854,363 S**
(45) **Date of Patent:** **** Jul. 23, 2019**

(54) **BEVERAGE MACHINE**
(71) Applicant: **CAFE TRES CORACOES S.A.**, Santa Luzia (BR)
(72) Inventor: **Lennart Behrmann**, Baden (CH)
(73) Assignee: **CAFE TRES CORACOES S.A.**, Santa Luzia (BR)
(**) Term: **15 Years**

D637,859 S * 5/2011 Orkney D7/306
D667,674 S * 9/2012 Wilder D7/306
D681,386 S * 5/2013 Pininfarina D7/306
D723,858 S * 3/2015 Ye D7/306
D744,774 S * 12/2015 Bock A47J 31/462
D755,001 S * 5/2016 Lintner D7/306
D769,661 S * 10/2016 Palermo D7/306
D785,392 S * 5/2017 Palermo D7/306
D786,602 S * 5/2017 Palermo D7/306
D830,757 S * 10/2018 Lee D7/309

* cited by examiner

(21) Appl. No.: **29/616,298**
(22) Filed: **Sep. 5, 2017**

Primary Examiner — Marianne N Pandozzi
(74) *Attorney, Agent, or Firm* — Porzio Bromberg & Newman P.C.

(30) **Foreign Application Priority Data**
Jul. 7, 2017 (BR) 302017002832-2
(51) **LOC (11) Cl.** **07-01**
(52) **U.S. Cl.**
USPC **D7/306**; D7/311
CPC **A47J 31/407** (2013.01); **A23F 3/18**
(2013.01); **A23F 5/262** (2013.01); **A47J 31/46**
(2013.01); **A47J 31/462** (2013.01)

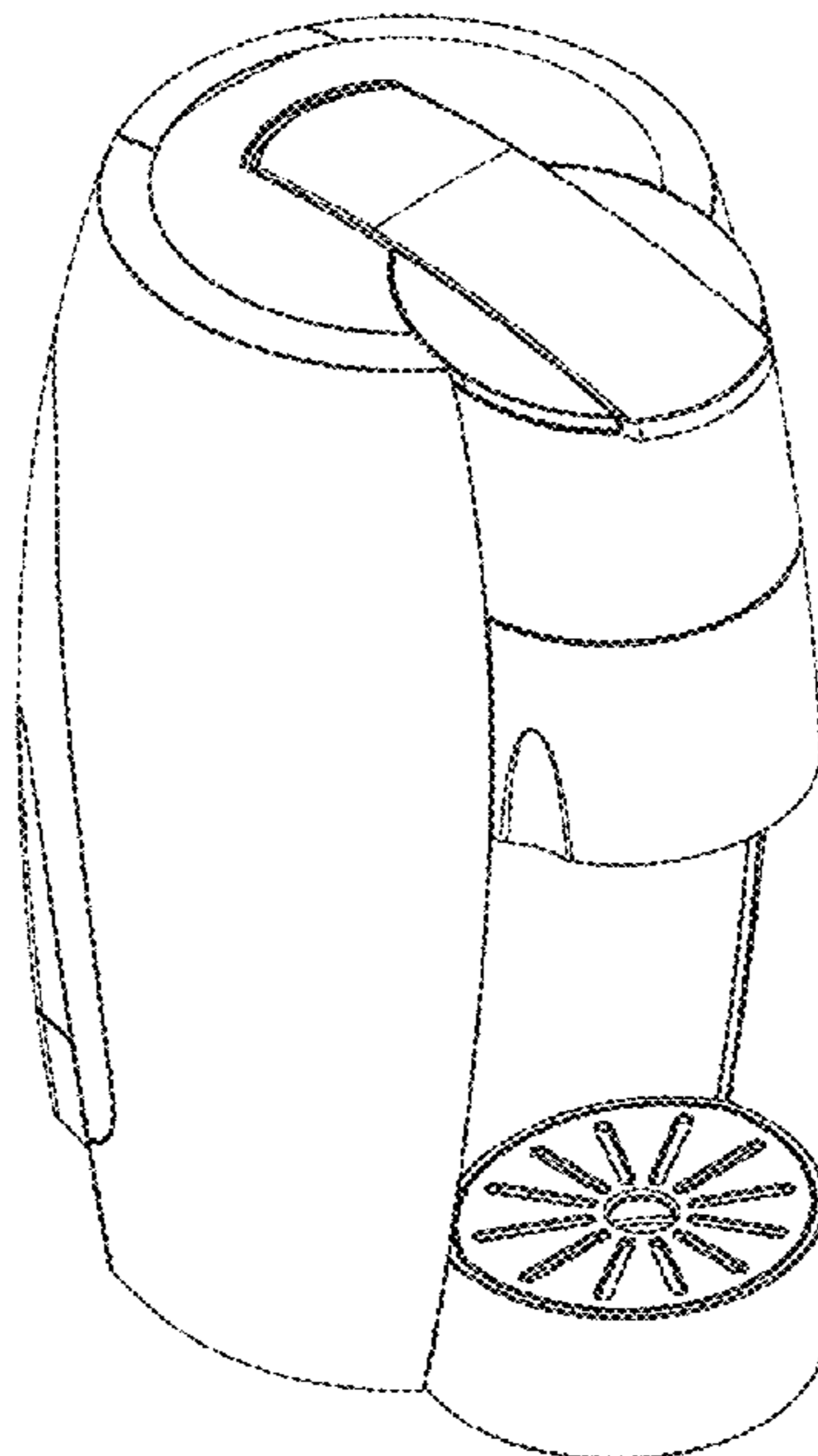
(58) **Field of Classification Search**
USPC D7/306–311, 305, 300, 313; 99/279,
99/284, 290, 280, 299, 307
CPC . A47J 31/46; A47J 31/00; A47J 31/44; B67D
1/0041; B67D 3/00; A23F 5/262
See application file for complete search history.

(56) **References Cited**
U.S. PATENT DOCUMENTS
D350,667 S * 9/1994 Saltet D7/309
D570,149 S * 6/2008 Truong D7/306

(57) **CLAIM**
I claim, the ornamental design for a beverage machine, as shown and described.

DESCRIPTION
FIG. 1 is a front and side perspective view of the design;
FIG. 2 is a rear and side perspective view thereof;
FIG. 3 is a front view thereof;
FIG. 4 is a rear view thereof;
FIG. 5 is a right view thereof;
FIG. 6 is a left view thereof;
FIG. 7 is a top view thereof; and,
FIG. 8 is a bottom view thereof.

1 Claim, 8 Drawing Sheets



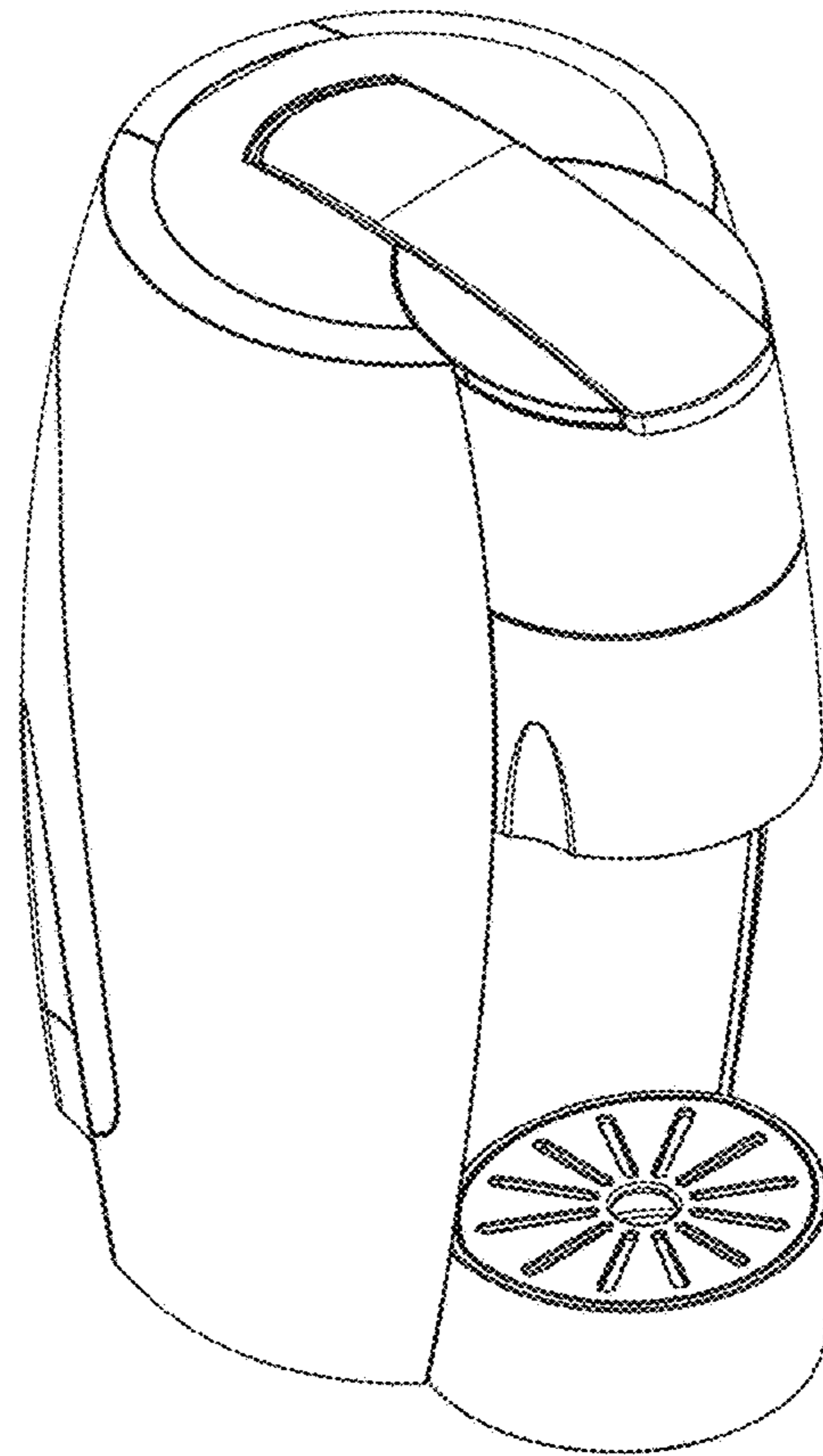


Fig. 1

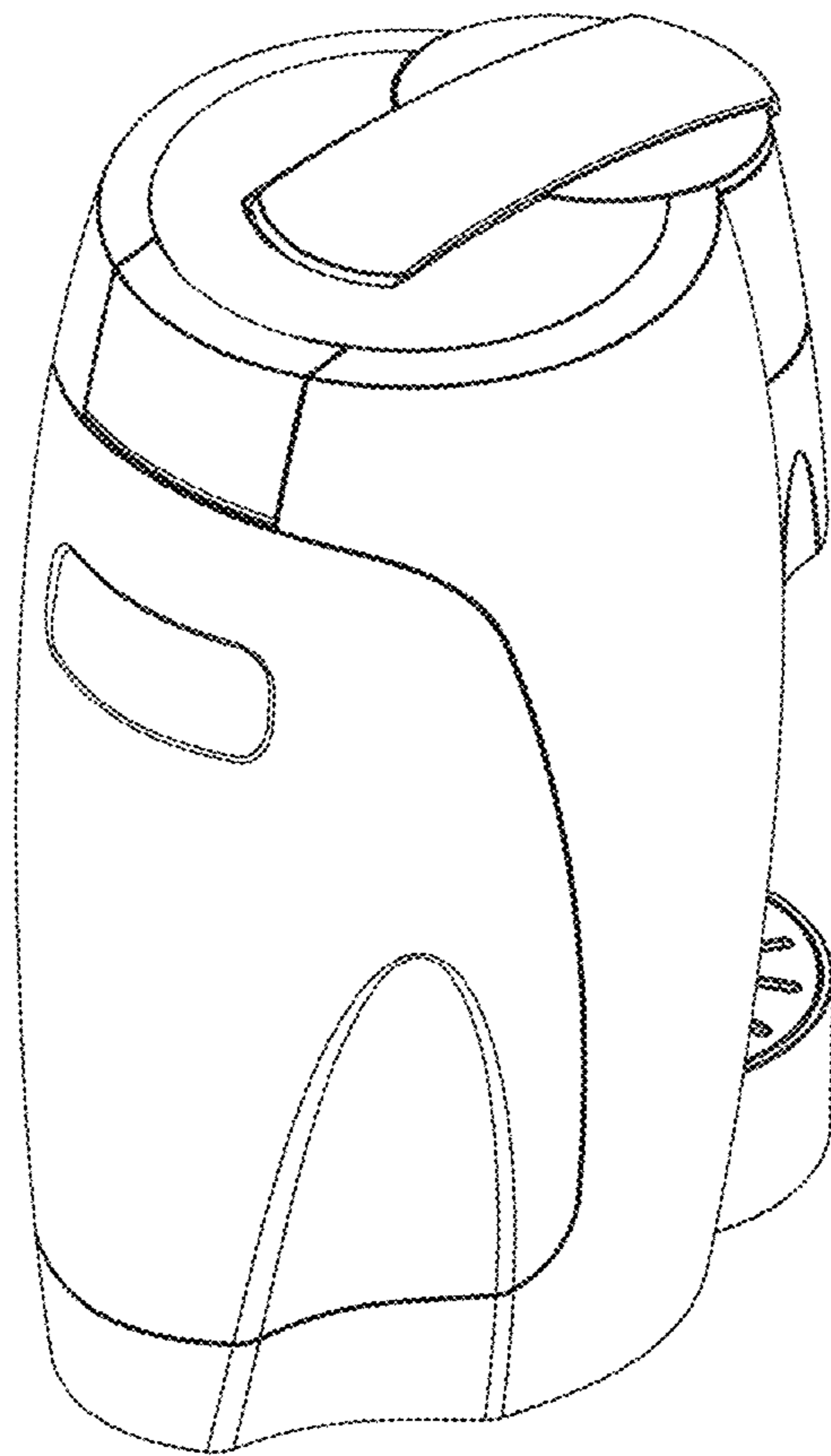


Fig. 2

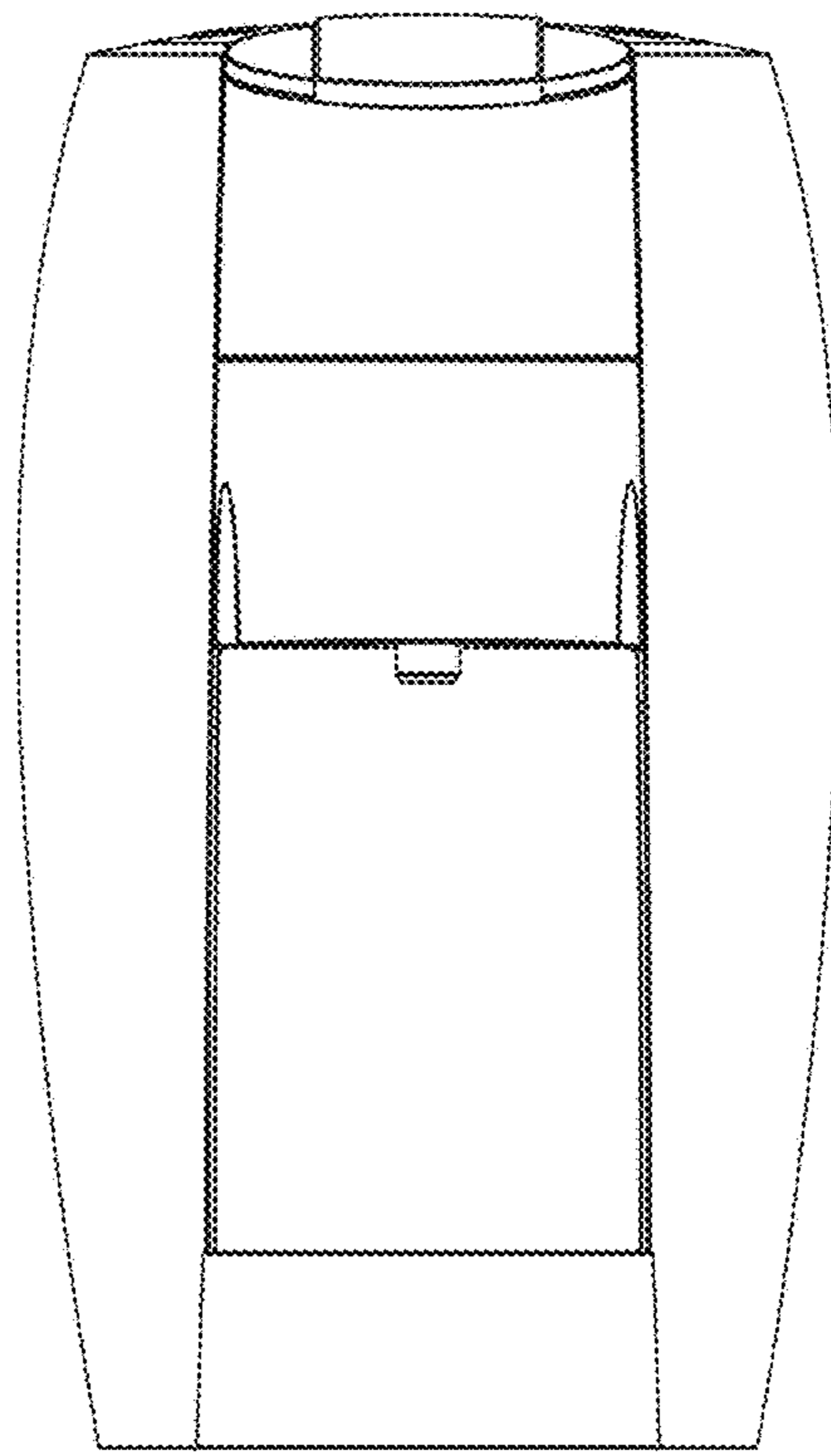


Fig. 3

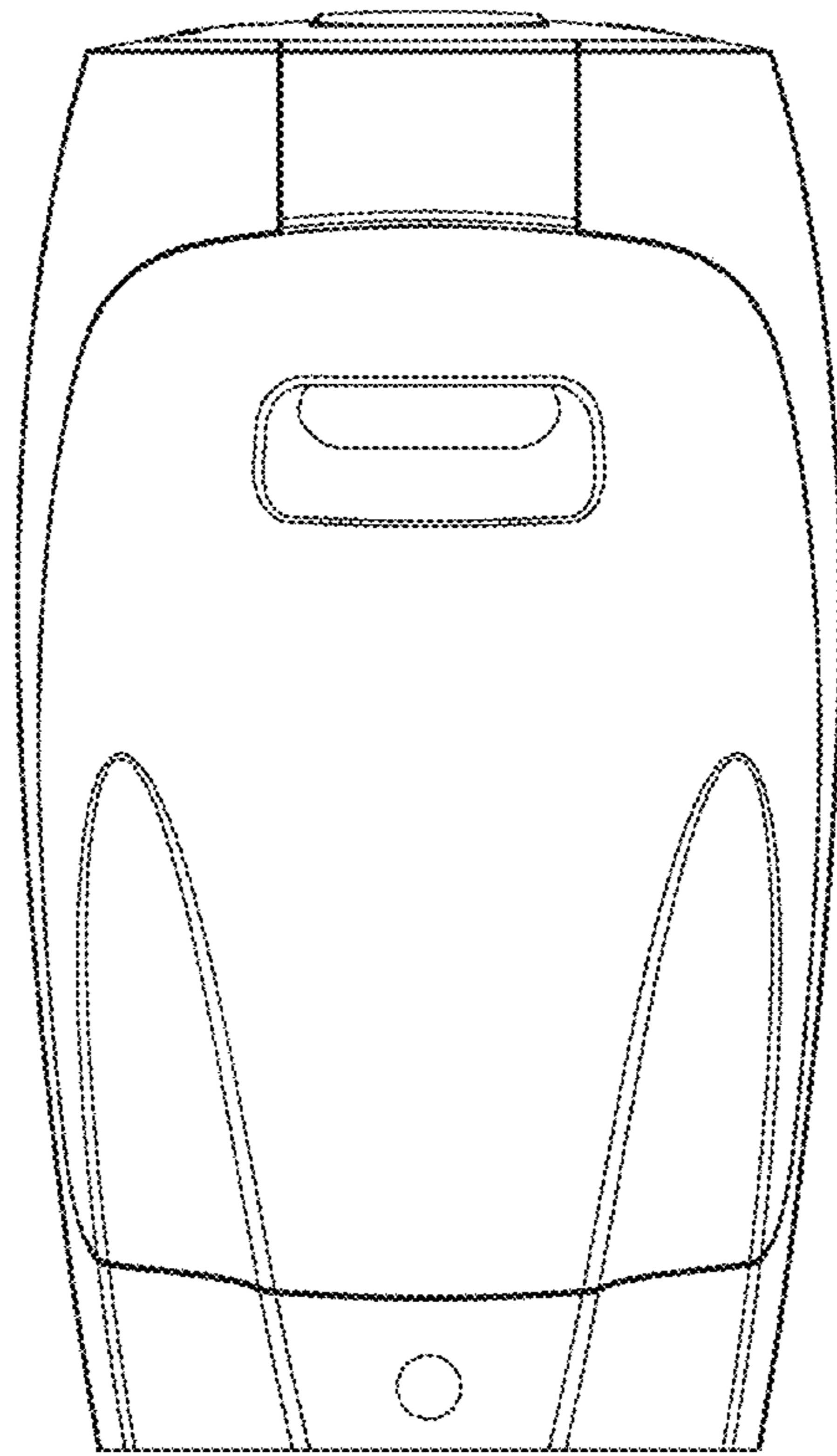


Fig. 4

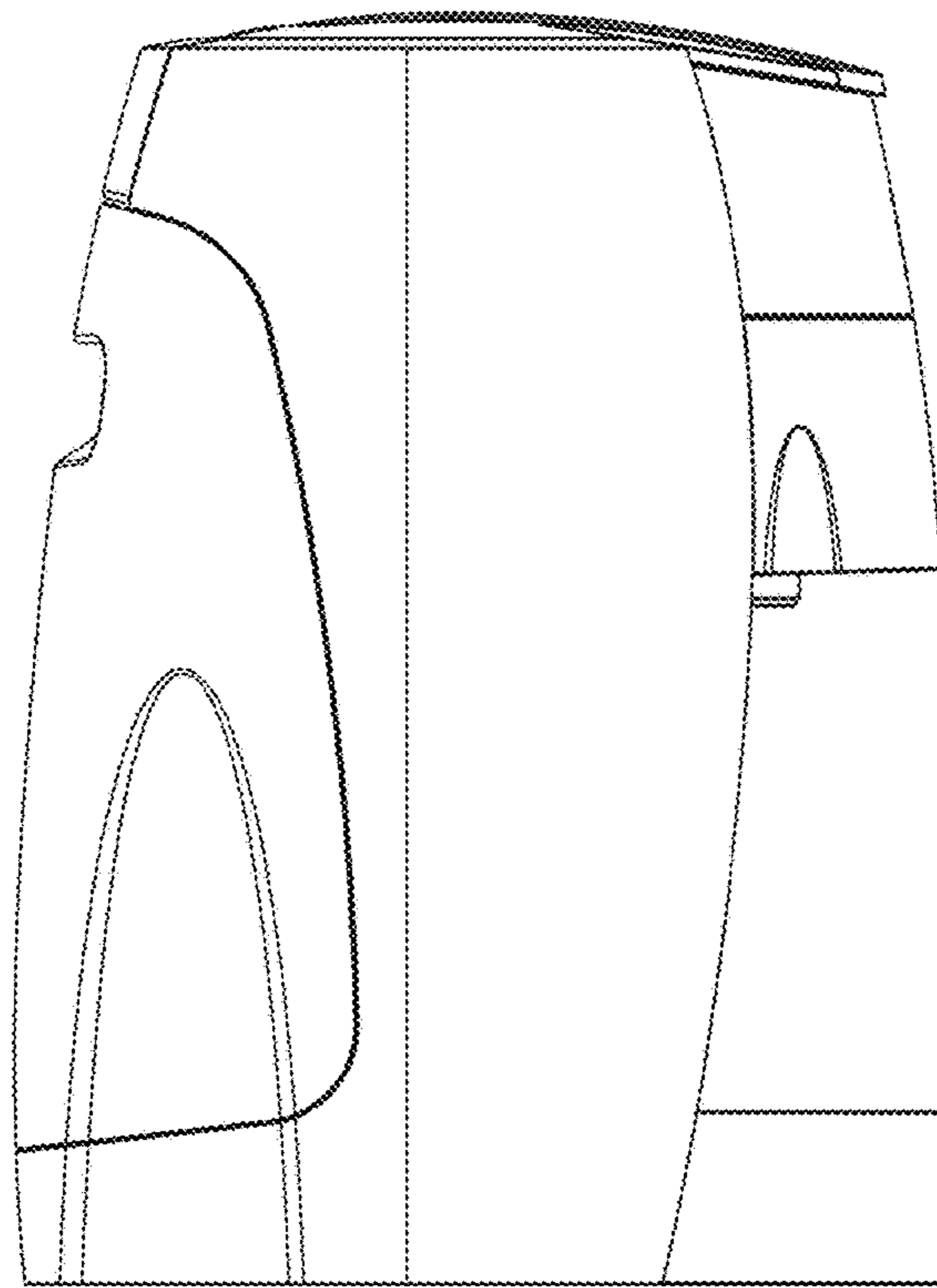


Fig. 5

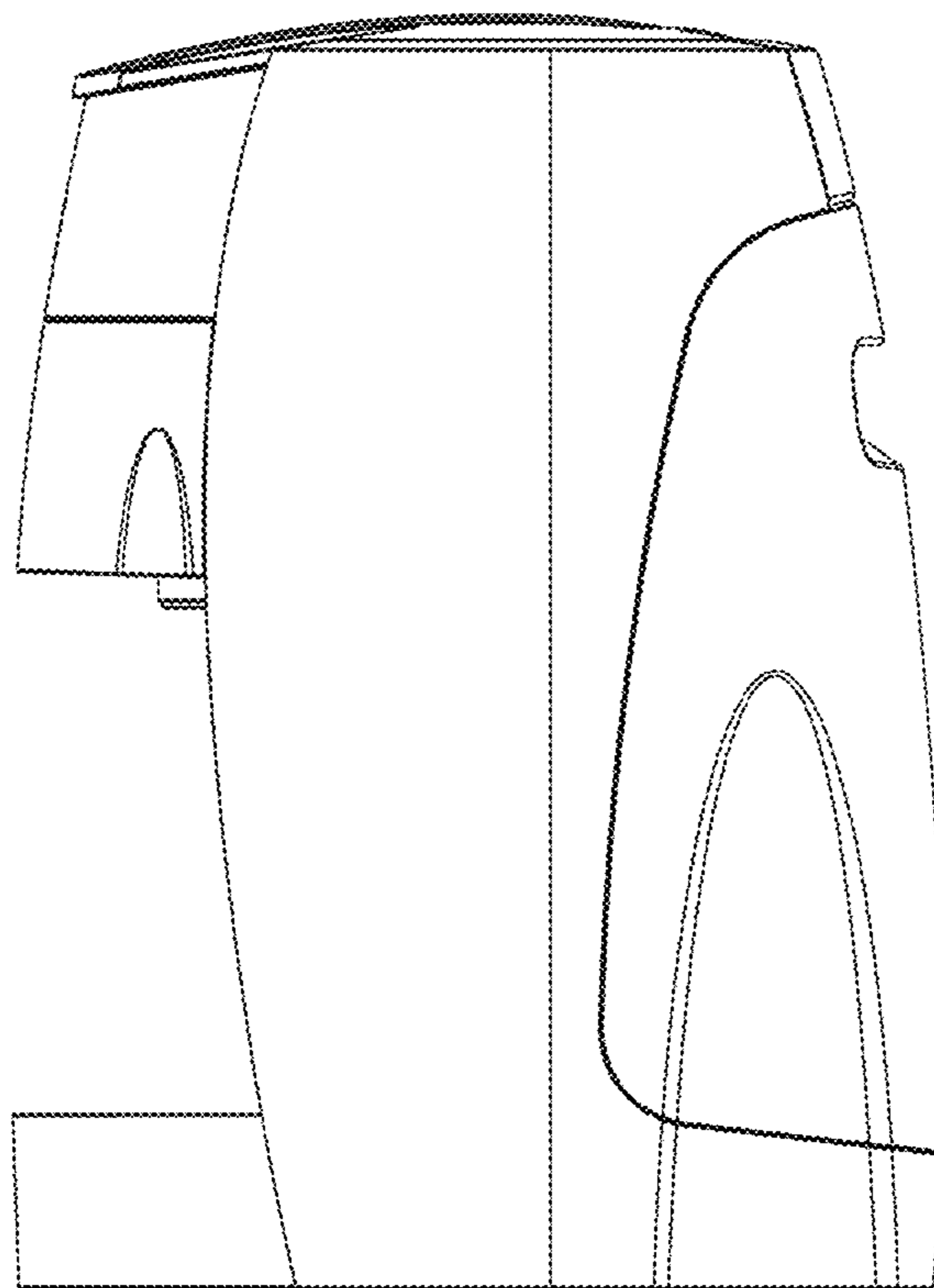


Fig. 6

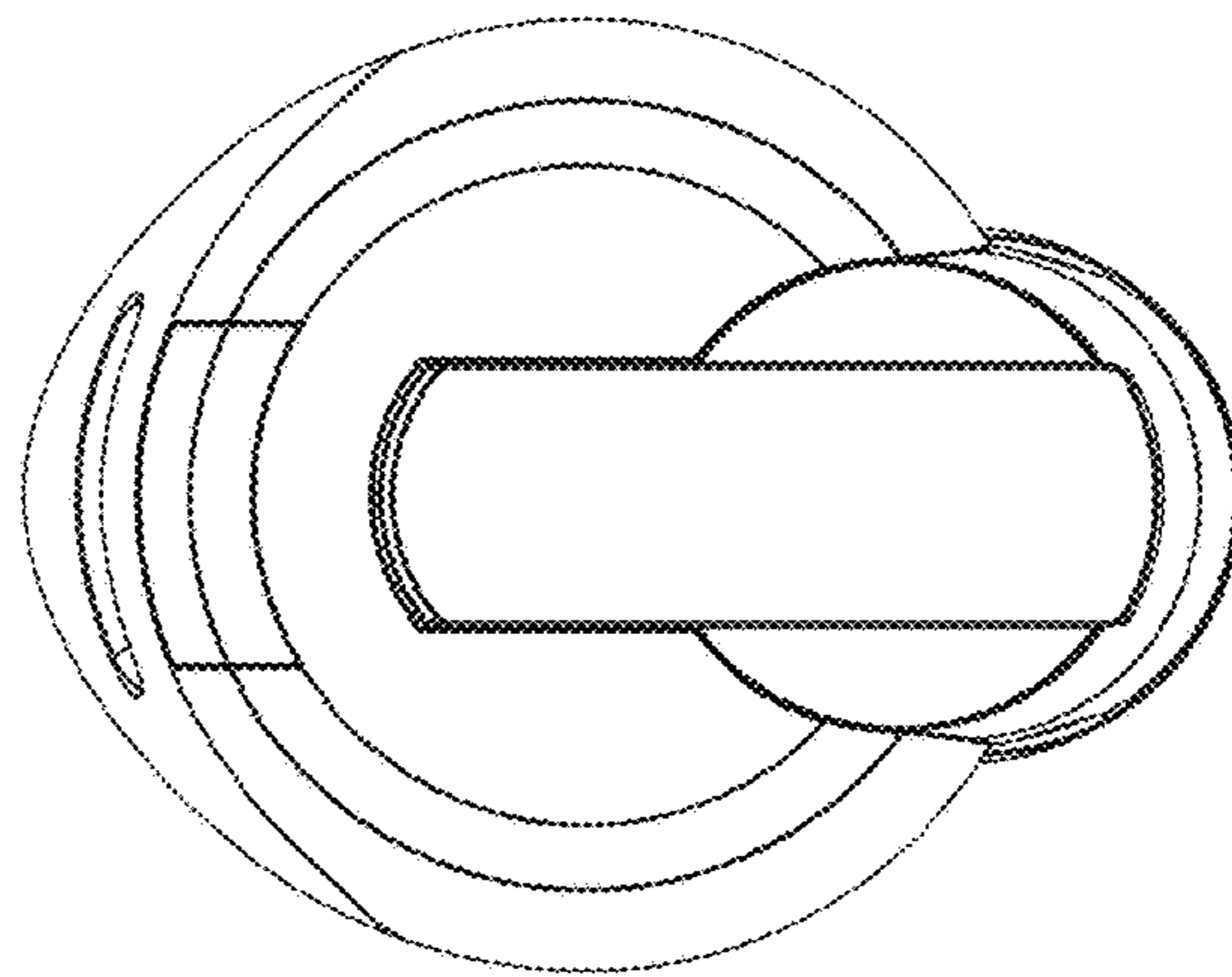


Fig. 7

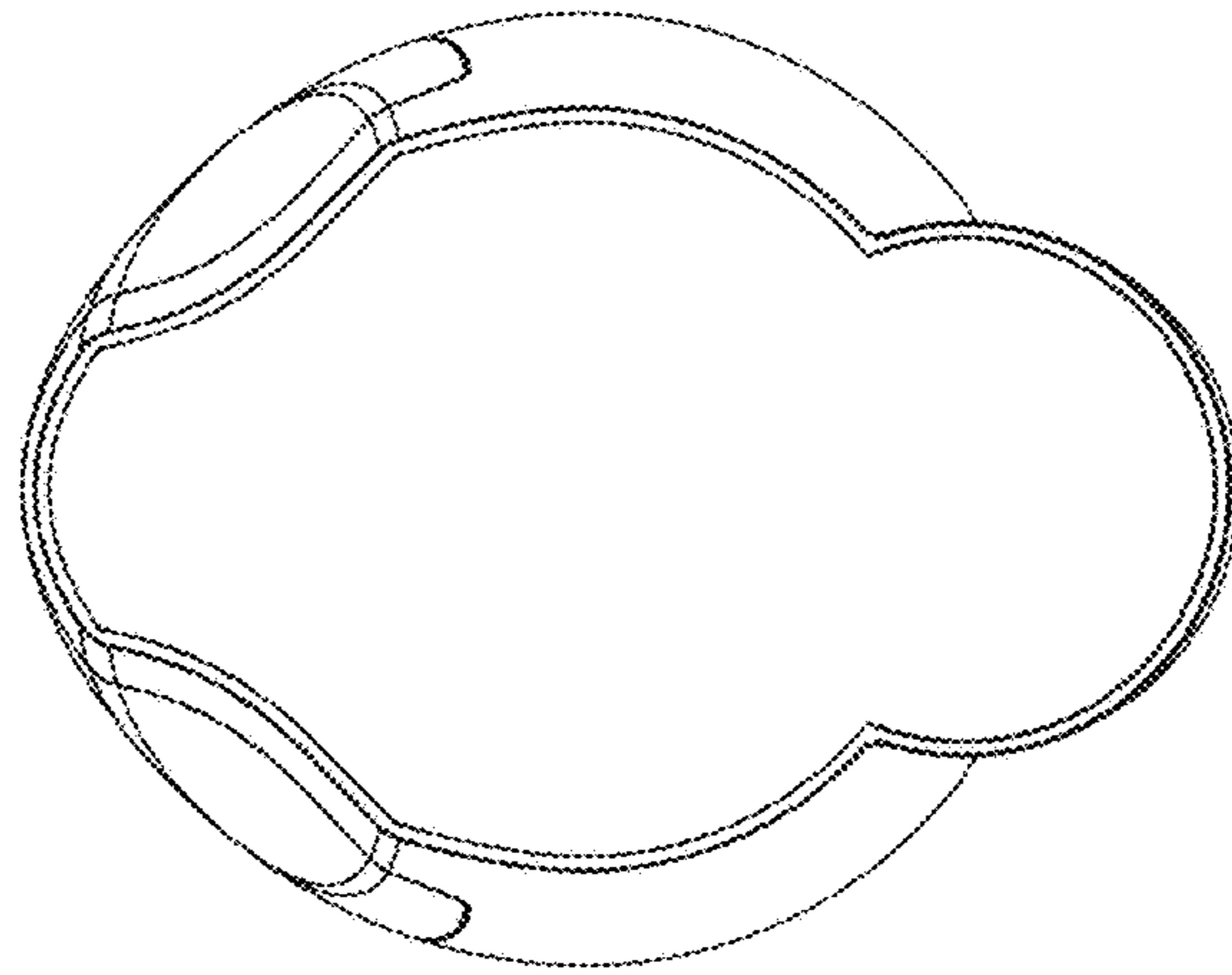


Fig. 8