



US00D854362S

(12) **United States Design Patent** (10) **Patent No.:** **US D854,362 S**
Fentress et al. (45) **Date of Patent:** **** Jul. 23, 2019**

(54) **SIDE TABLE**

(71) Applicants: **Julian Fentress**, Denver, CO (US);
Michael McCoy, Buena Vista, CO (US)

(72) Inventors: **Julian Fentress**, Denver, CO (US);
Michael McCoy, Buena Vista, CO (US)

(73) Assignee: **JULIAN DESIGNS, LLC**, Denver, CO (US)

(**) Term: **15 Years**

(21) Appl. No.: **29/617,814**

(22) Filed: **Sep. 15, 2017**

(51) **LOC (11) Cl.** **06-06**

(52) **U.S. Cl.**
USPC **D6/691.3**

(58) **Field of Classification Search**
USPC D6/672, 675, 675.1, 675.2, 675.3, 675.4,
D6/675.5, 691, 691.3
CPC A47F 1/00; A47B 96/00; A47B 96/02;
A47B 47/00; A47B 47/021
See application file for complete search history.

(56) **References Cited**

U.S. PATENT DOCUMENTS

D264,659 S * 6/1982 Markus D6/678
4,407,911 A * 10/1983 Hooke H01M 2/105
429/159
D465,348 S * 11/2002 Lucatello D6/678
RE38,836 E * 10/2005 Krause A47B 87/007
312/108
D517,352 S * 3/2006 Wicha D6/675
7,048,346 B2 * 5/2006 Saravis A47B 47/0033
312/111
D528,869 S * 9/2006 VanHook D21/501
D566,427 S * 4/2008 McConnell D6/675
D600,943 S * 9/2009 Austin D6/675

D600,944 S * 9/2009 McConnell D6/675
D656,730 S * 4/2012 Son D3/305
D683,145 S * 5/2013 Patel D6/349
D697,168 S * 1/2014 Rusten D23/207
9,144,305 B1 * 9/2015 Collins, Jr. A47B 71/00
D772,472 S * 11/2016 Velez D26/106
D773,558 S * 12/2016 Melnick D19/90
D789,713 S * 6/2017 Velez D6/691
D797,476 S * 9/2017 Caillouet D6/672
D802,581 S * 11/2017 Smith D14/307
D804,202 S * 12/2017 Proctor D6/349
D804,203 S * 12/2017 Beldramme D6/349
D809,931 S * 2/2018 Kagawa D9/711
D829,819 S * 10/2018 McKenna D19/77
D830,091 S * 10/2018 Zeitounian D6/708.17
D835,926 S * 12/2018 Abatemarco, Jr. D6/675
D838,354 S * 1/2019 Farone D23/364
2003/0010738 A1 * 1/2003 Hsia A47B 47/042
211/188

* cited by examiner

Primary Examiner — Kelley A Donnelly

(74) *Attorney, Agent, or Firm* — Sheridan Ross P.C.

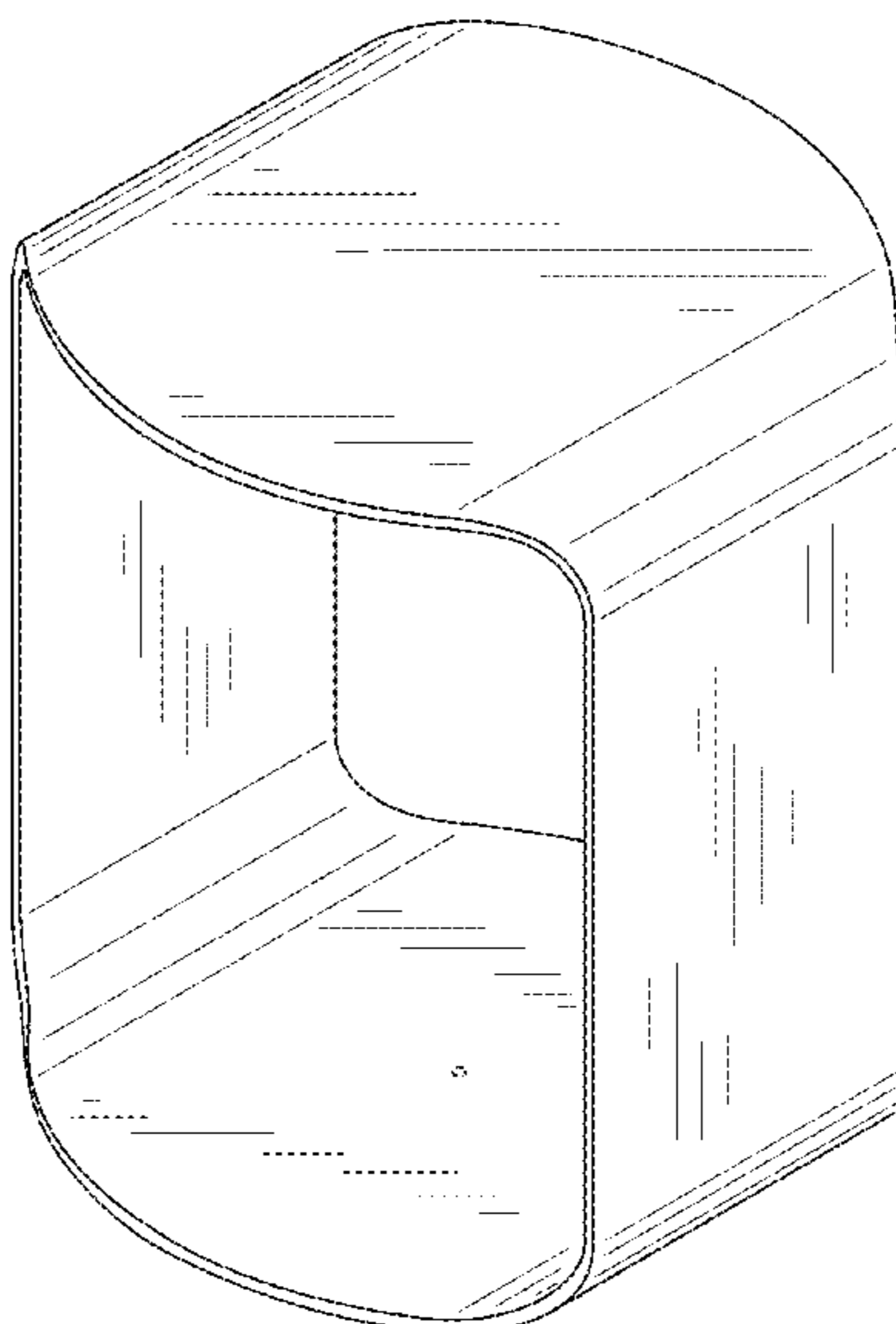
(57) **CLAIM**

The ornamental design for a side table, as shown and described.

DESCRIPTION

FIG. 1 is a front perspective view of the side table;
FIG. 2 is a front view thereof;
FIG. 3 is a rear view thereof;
FIG. 4 is a right side view thereof;
FIG. 5 is a left side view thereof;
FIG. 6 is a top plan view thereof; and,
FIG. 7 is a bottom plan view thereof.
The broken lines showing a portion of the side table are included for the purpose of illustrating the environment and form no part of the claimed design.

1 Claim, 7 Drawing Sheets



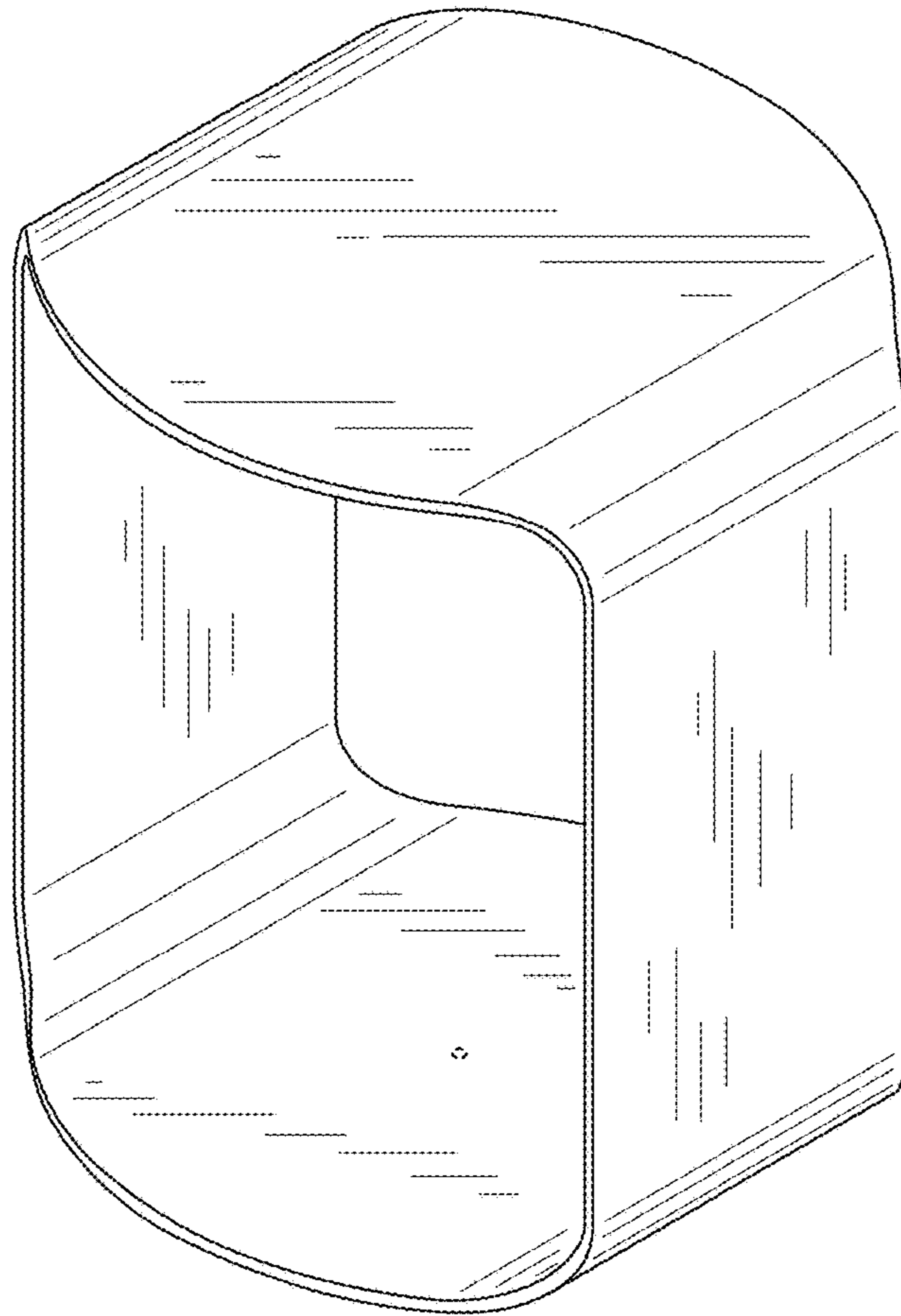


FIG.1

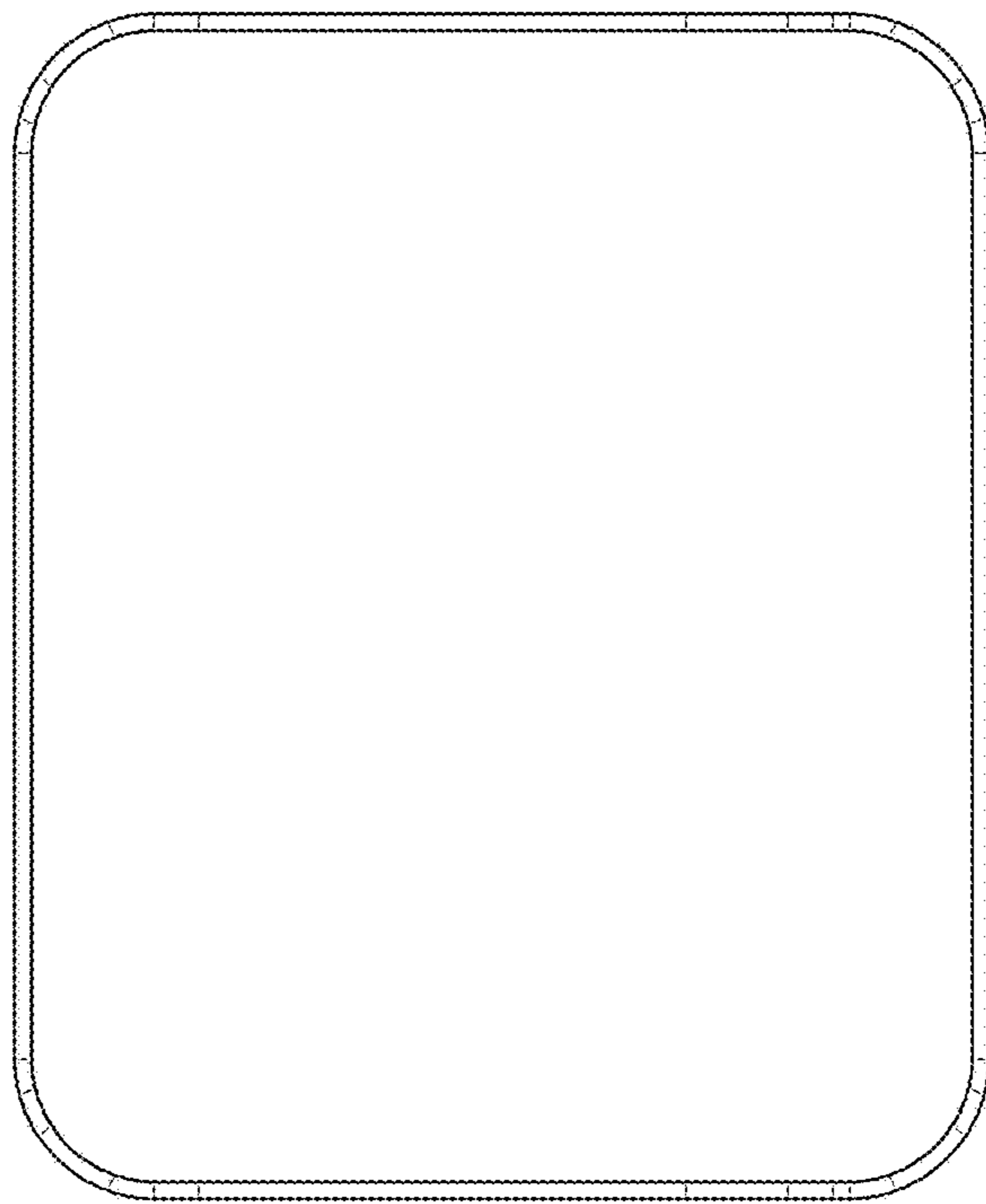


FIG.2

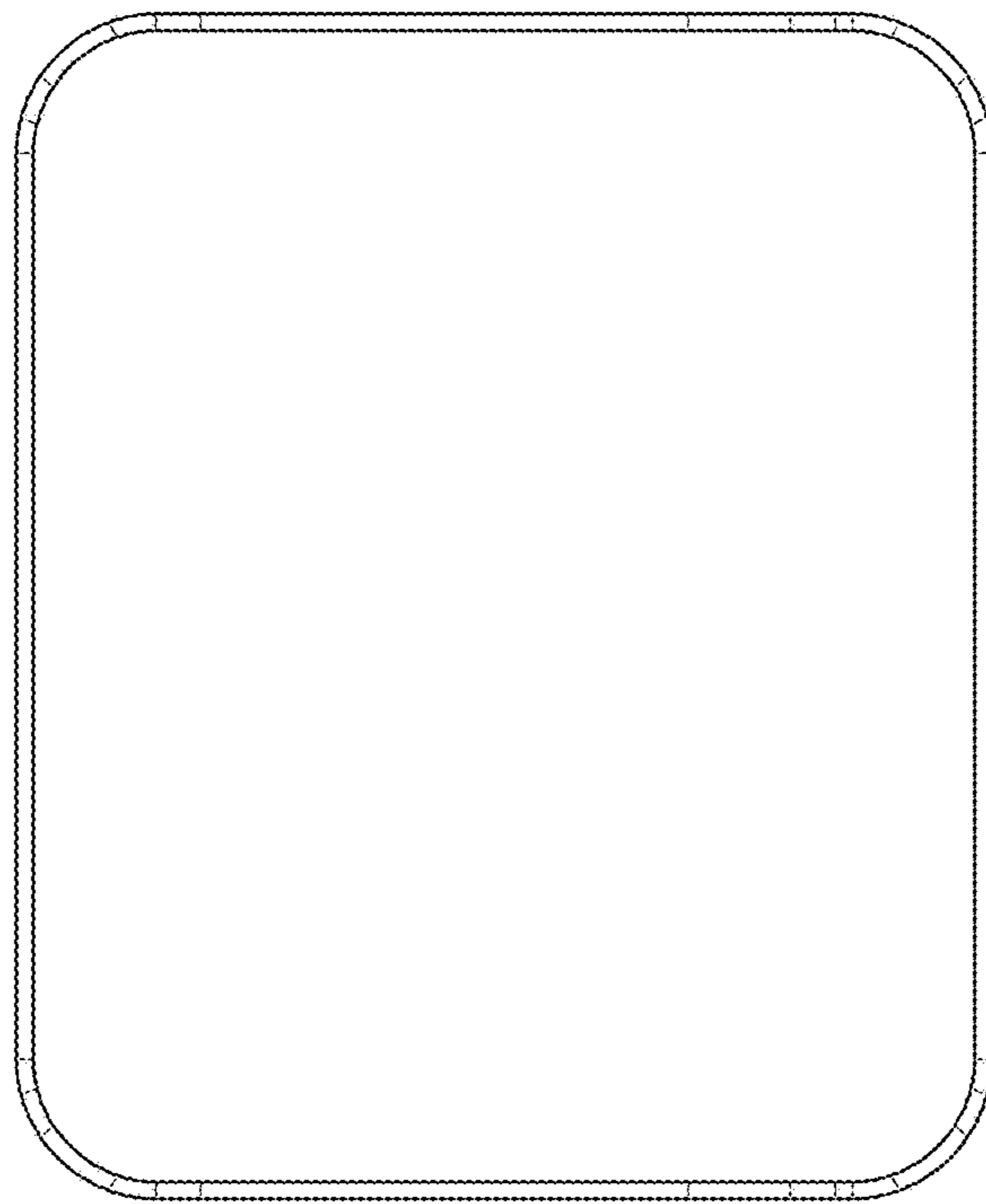


FIG.3

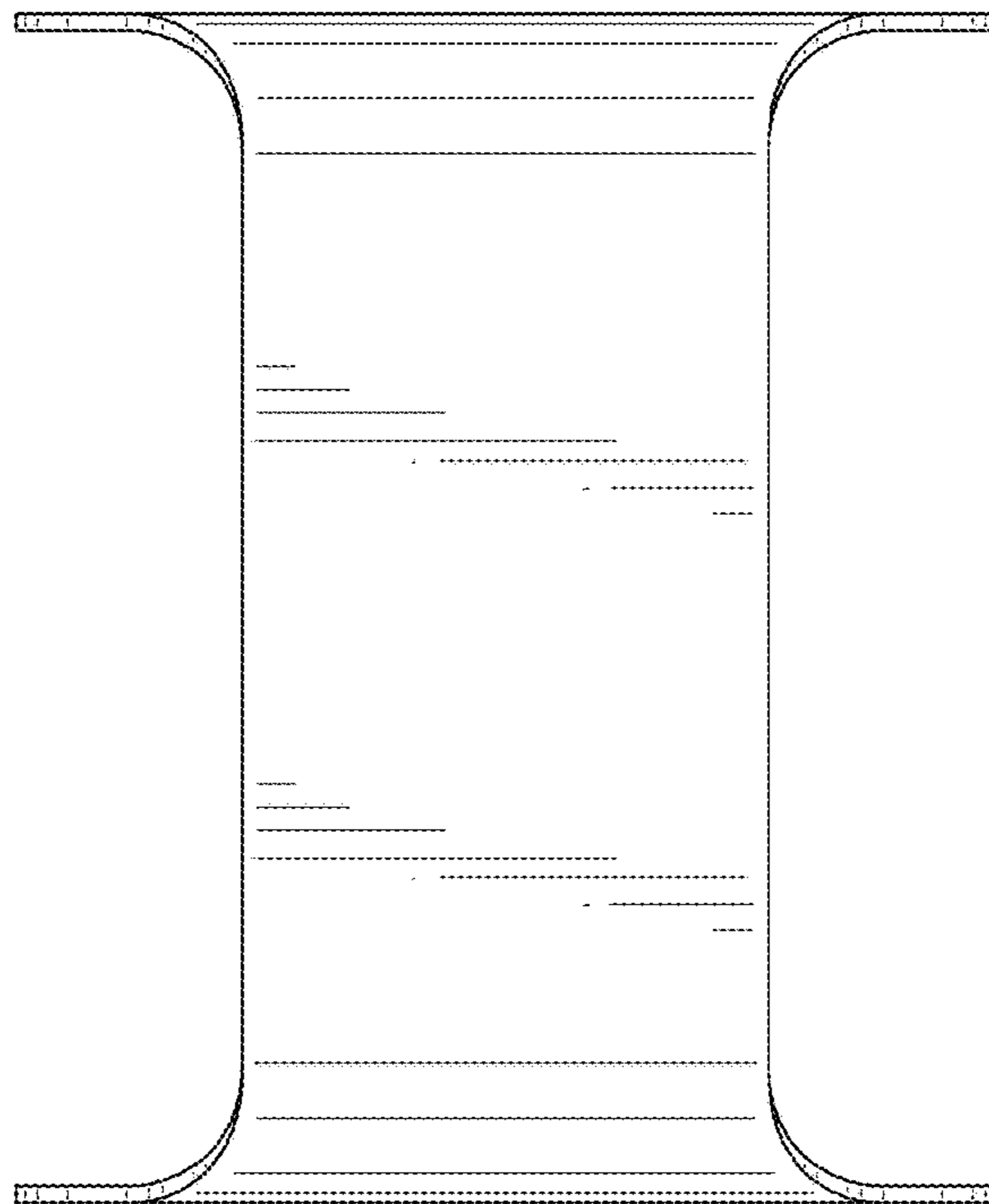


FIG.4

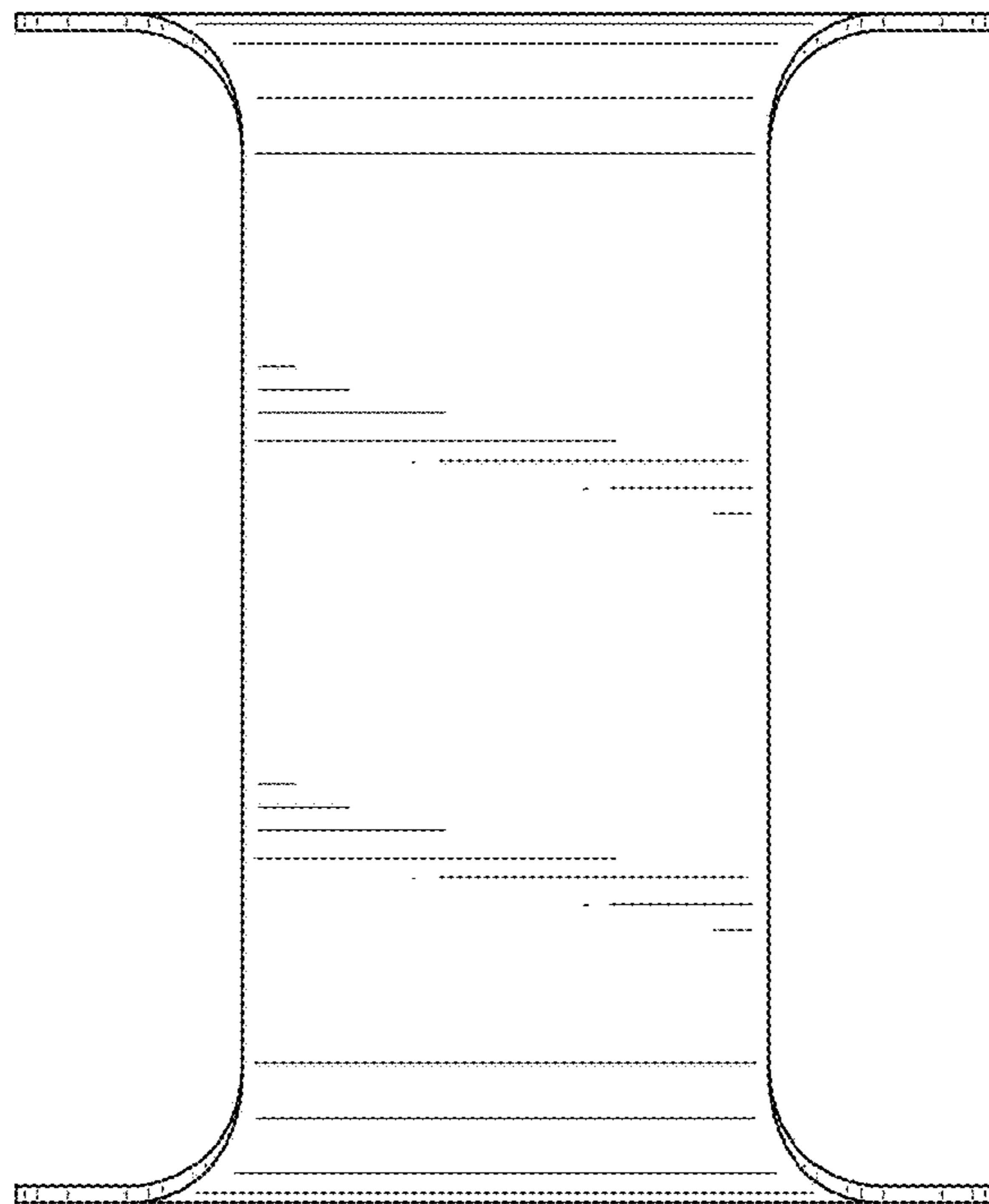


FIG.5

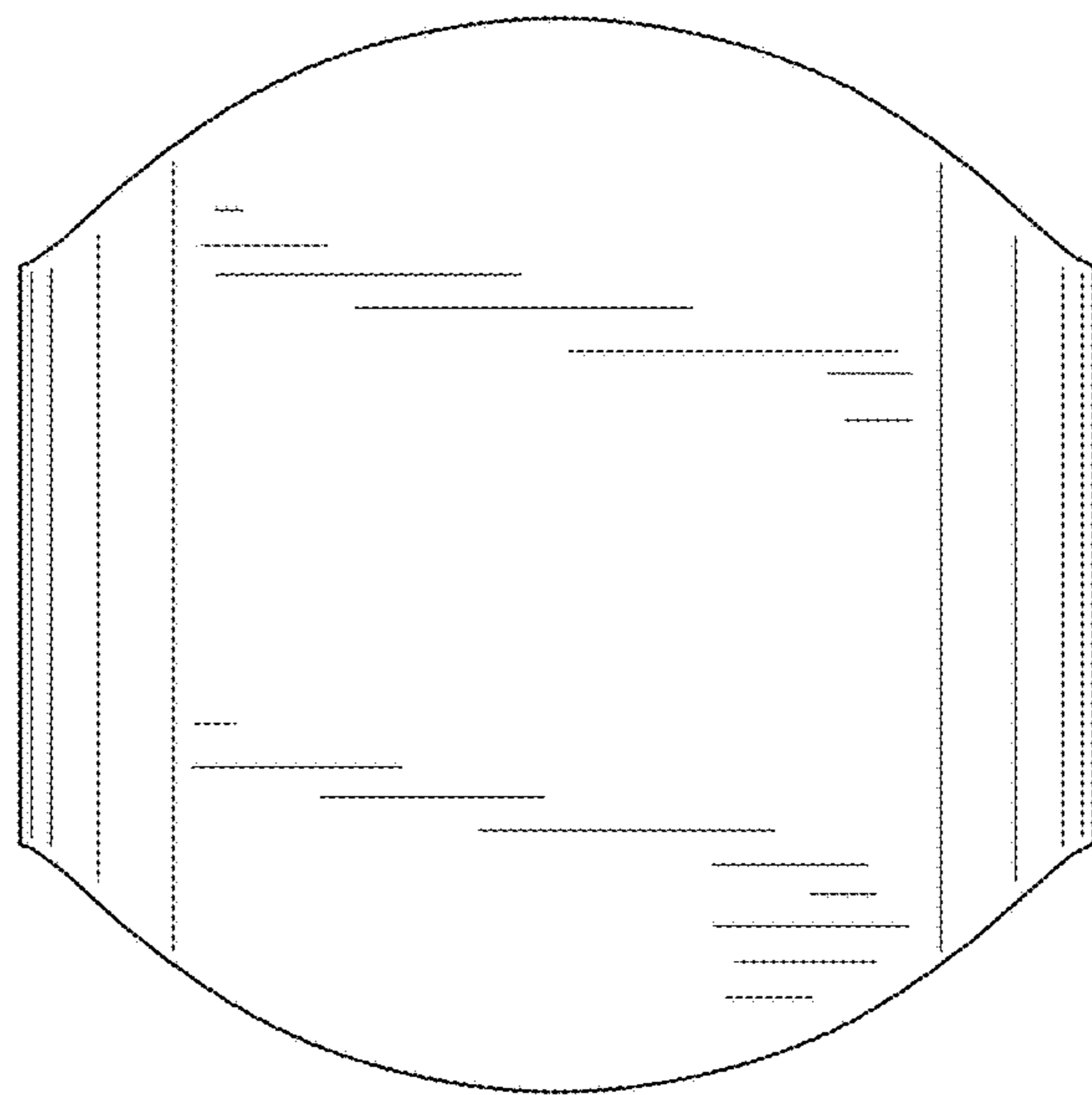


FIG. 6

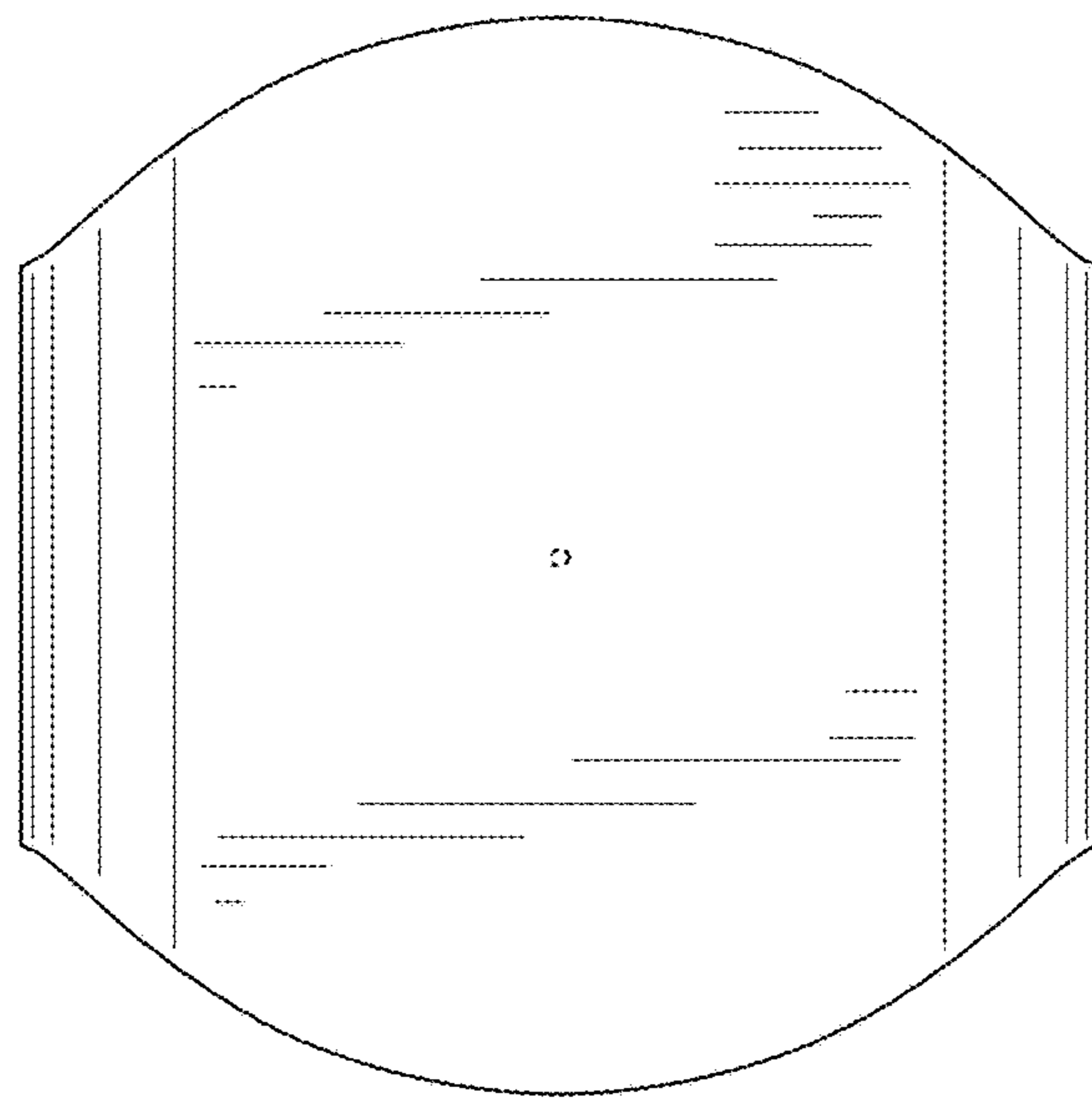


FIG. 7