



US00D854361S

(12) **United States Design Patent**
Huo

(10) **Patent No.:** **US D854,361 S**

(45) **Date of Patent:** **** *Jul. 23, 2019**

- (54) **COLLAPSIBLE TABLE CABINET**
- (71) Applicant: **Shih-Kuo Huo**, Taipei (TW)
- (72) Inventor: **Shih-Kuo Huo**, Taipei (TW)
- (73) Assignee: **Shih-Kuo Huo**, Taipei (TW)
- (*) Notice: This patent is subject to a terminal disclaimer.

D424,328 S *	5/2000	Dominik	D6/336
D452,621 S *	1/2002	Vidal-Damon	D6/671.1
D470,687 S *	2/2003	Binse	D6/657
D472,402 S *	4/2003	Wang	D6/657
D514,846 S *	2/2006	McDiarmid	D6/671.1
D515,847 S *	2/2006	Moon	D6/675.1
D530,347 S *	10/2006	Ozaki	D15/86
D543,723 S *	6/2007	Brown	D34/19
D579,231 S *	10/2008	Cheng	D6/642
D712,687 S *	9/2014	Arie	D6/663
D743,190 S *	11/2015	Franck	D6/675

(**) Term: **15 Years**

(21) Appl. No.: **29/602,564**

(22) Filed: **May 2, 2017**

(51) **LOC (11) Cl.** **06-03**

(52) **U.S. Cl.**
USPC **D6/686; D6/657**

(58) **Field of Classification Search**
 USPC D6/336, 553, 555, 641, 655, 655.1, 657,
 D6/663, 664, 672, 675, 675.1, 675.3,
 D6/675.4, 685, 686, 687, 688, 688.11,
 D6/688.19, 689, 690, 691, 691.1, 691.2,
 D6/691.3, 691.4, 691.5, 691.6, 691.7,
 D6/691.8, 691.9, 692, 692.2, 698, 699,
 D6/699.1, 699.2, 699.3, 699.4, 699.5,
 D6/707, 707.2, 707.23, 708.14, 708.24
 CPC .. A47B 3/08; A47B 7/00; A47B 21/00; A47B
 23/00; A47B 25/00; A47B 13/08; A47B
 3/083; A47B 3/14; A47B 41/00; A47B
 17/00; A47B 3/0809; A47B 3/0812; A47B
 2013/026; A47B 2200/03; A47B 2200/00;
 A47B 2003/0821; A47B 81/00; A47B
 88/00; A47B 88/41; A47B 88/42; A47B
 2210/16; A47C 3/045; B62B 3/00; B60B
 33/00

See application file for complete search history.

(56) **References Cited**

U.S. PATENT DOCUMENTS

D209,292 S *	11/1967	Ungaro	D6/667
D216,131 S *	11/1969	Loewy	D6/657

OTHER PUBLICATIONS

Canipe, posted at Allmodern.com, posted on Feb. 26, 2015, site visited Mar. 23, 2018. online, available from internet: <https://www.allmodern.com/furniture/pdp/canipe-3-drawer-mobile-lateral-file-brsd3319.html>.*

(Continued)

Primary Examiner — Mary Ann Calabrese
Assistant Examiner — Catherine Ho

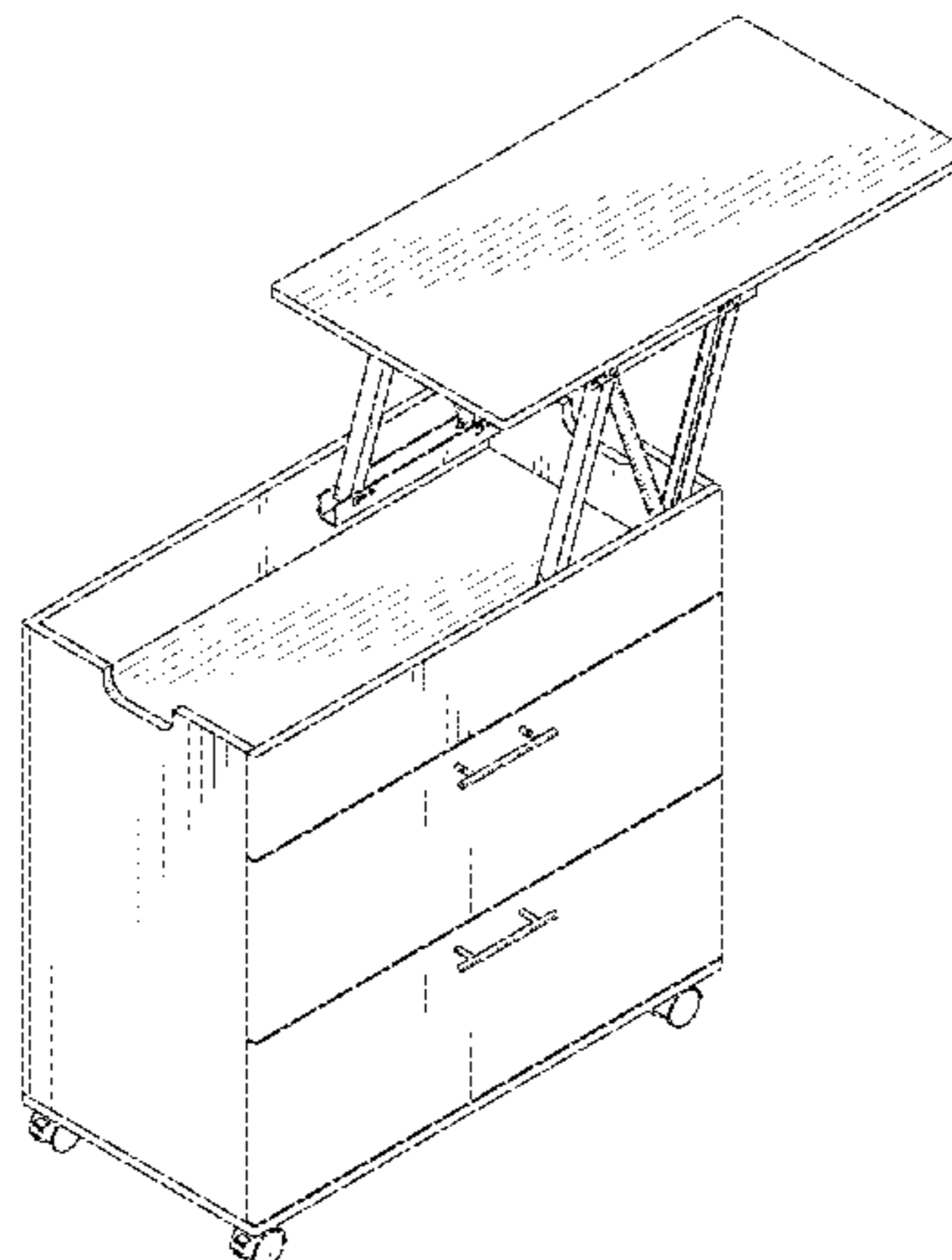
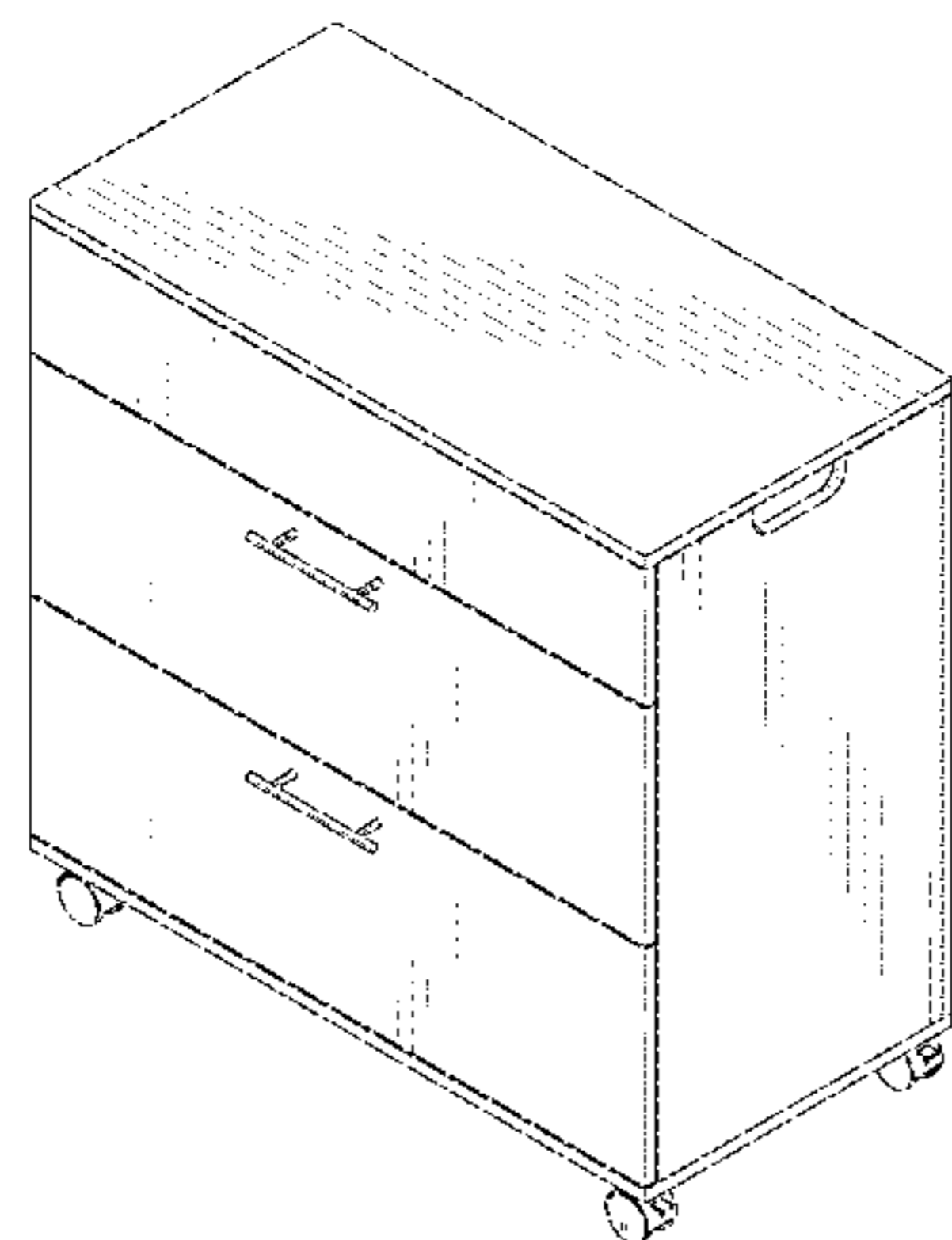
(57) **CLAIM**

I claim the ornamental design for a collapsible table cabinet, as shown and described.

DESCRIPTION

FIG. 1 is a perspective view of collapsible table cabinet, showing my new design;
 FIG. 2 is a front elevation view thereof;
 FIG. 3 is a rear elevation view thereof;
 FIG. 4 is a right side elevation view thereof;
 FIG. 5 is a left side elevation view thereof;
 FIG. 6 is a top plan view thereof;
 FIG. 7 is a bottom plan view thereof; and,
 FIG. 8 is a perspective view of collapsible table cabinet with a top portion shown in an alternate open position.

1 Claim, 7 Drawing Sheets



(56)

References Cited

OTHER PUBLICATIONS

Centro, posted at Wayfair.com, posted on Sep. 16, 2016, site visited Mar. 23, 2018. online, available from internet: <https://www.wayfair.com/furniture/pdp/bdi-centro-2-drawer-lateral-file-cabinet-bdi1552.html>.*

TB2E, posted at Gaitaobao2.alicdn.com, posted on Oct. 4, 2016, site visited Mar. 23, 2018. online, available from internet: http://gaitaobao2.alicdn.com/tfscom/i2/2947626157/TB2E_kxX2Tz11Bjy1XcXXapnpXa_%21%212947626157.jpg_310x310.jpg.*

* cited by examiner

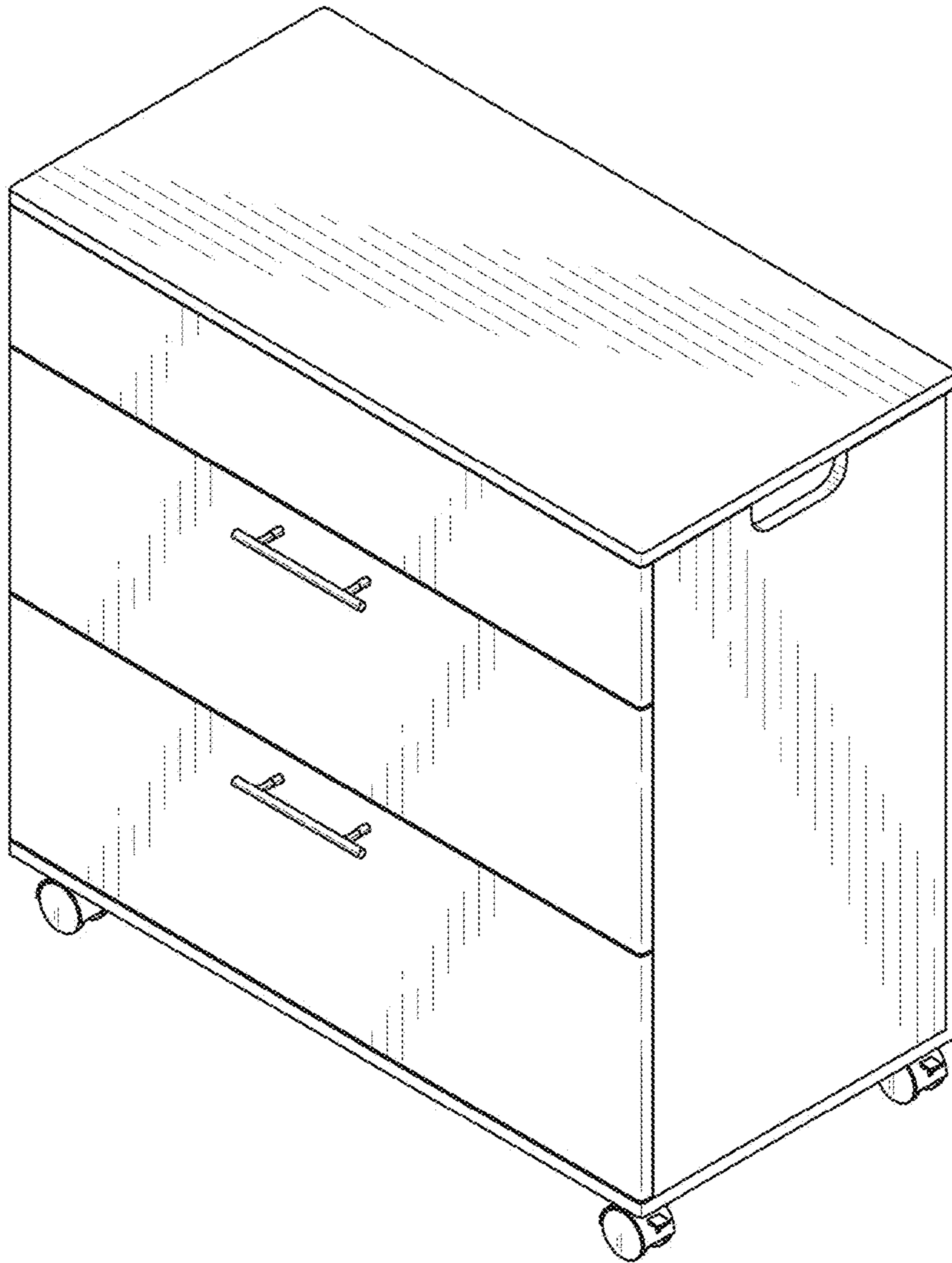


FIG. 1

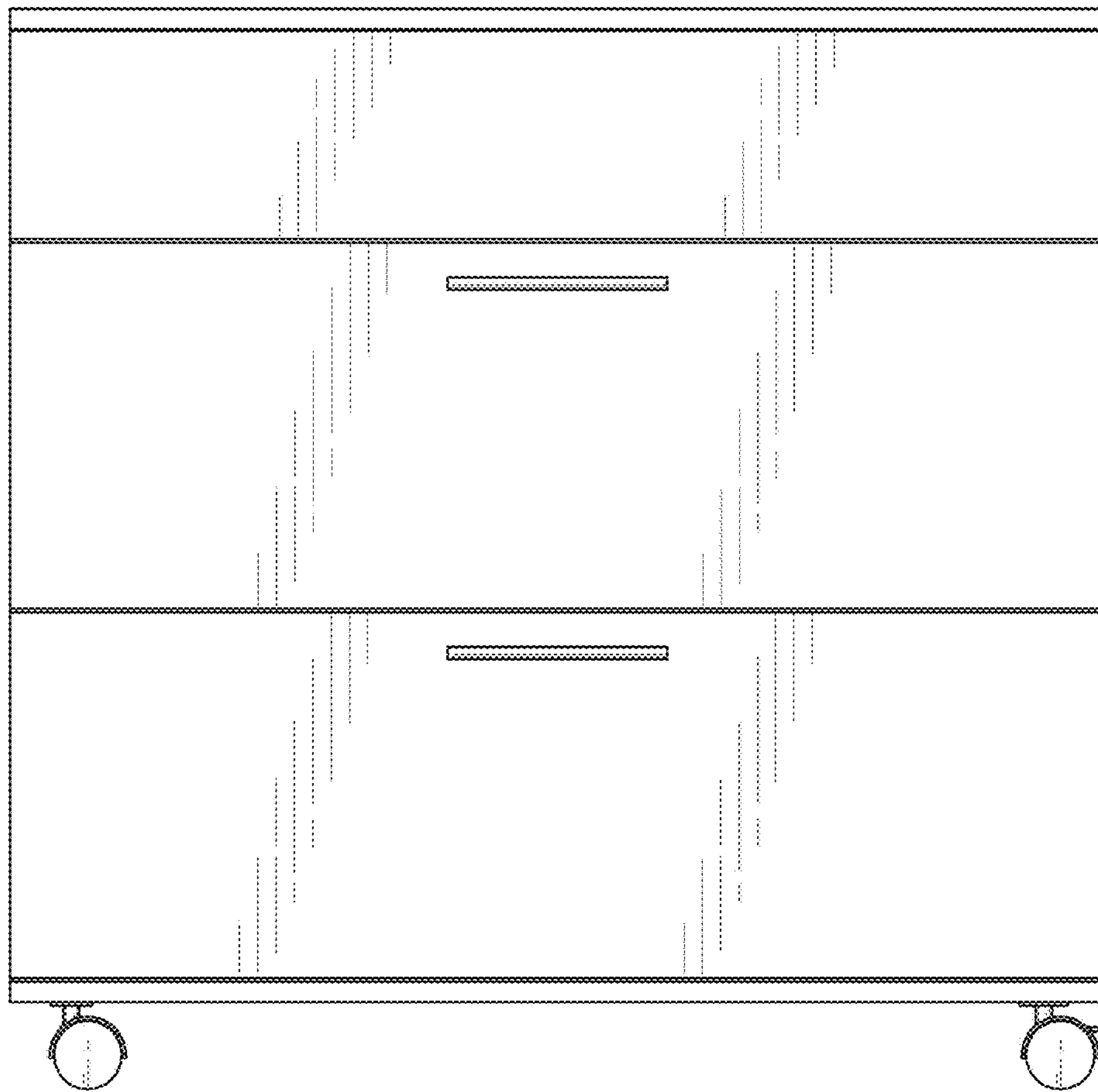


FIG. 2

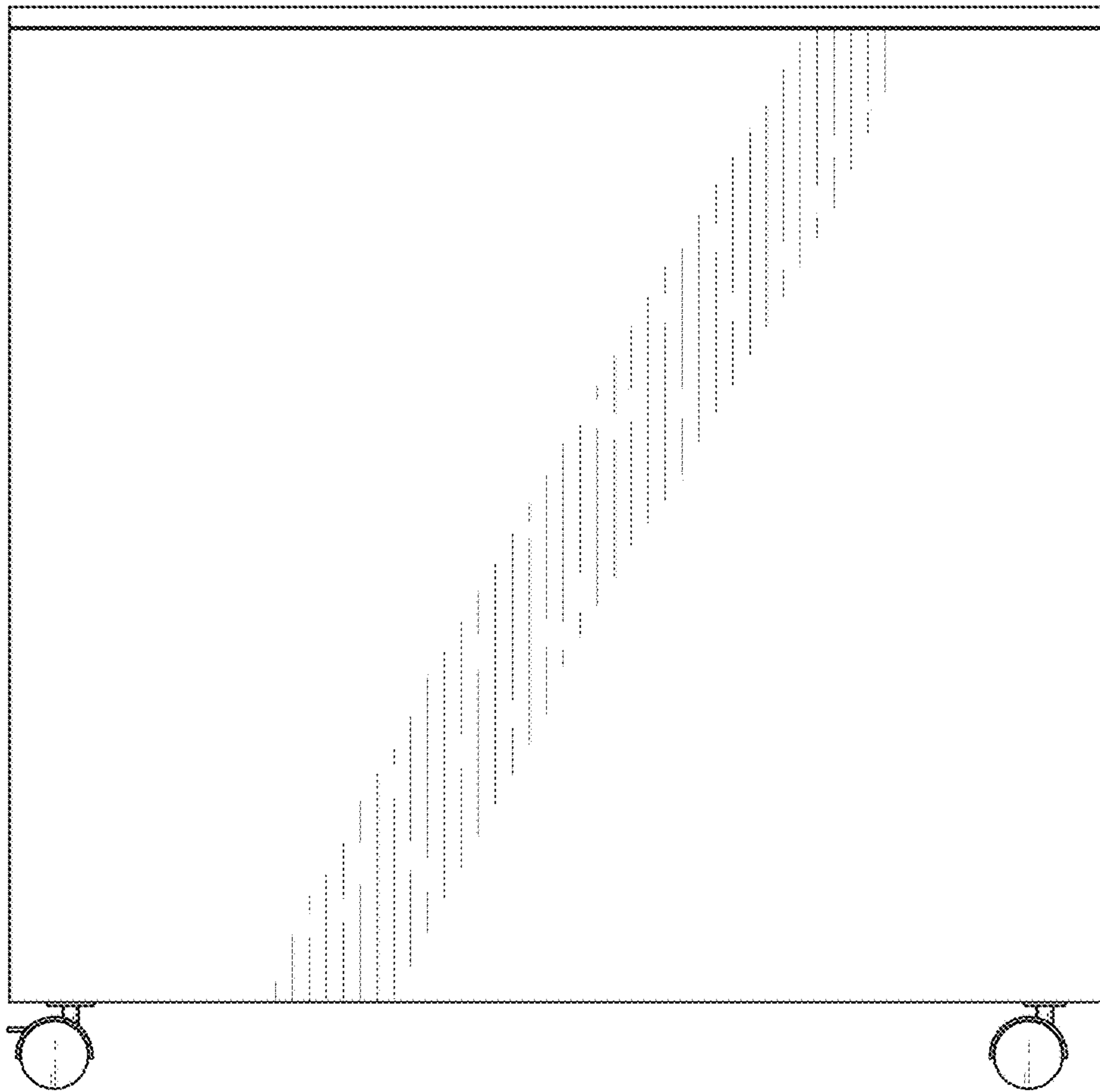


FIG. 3

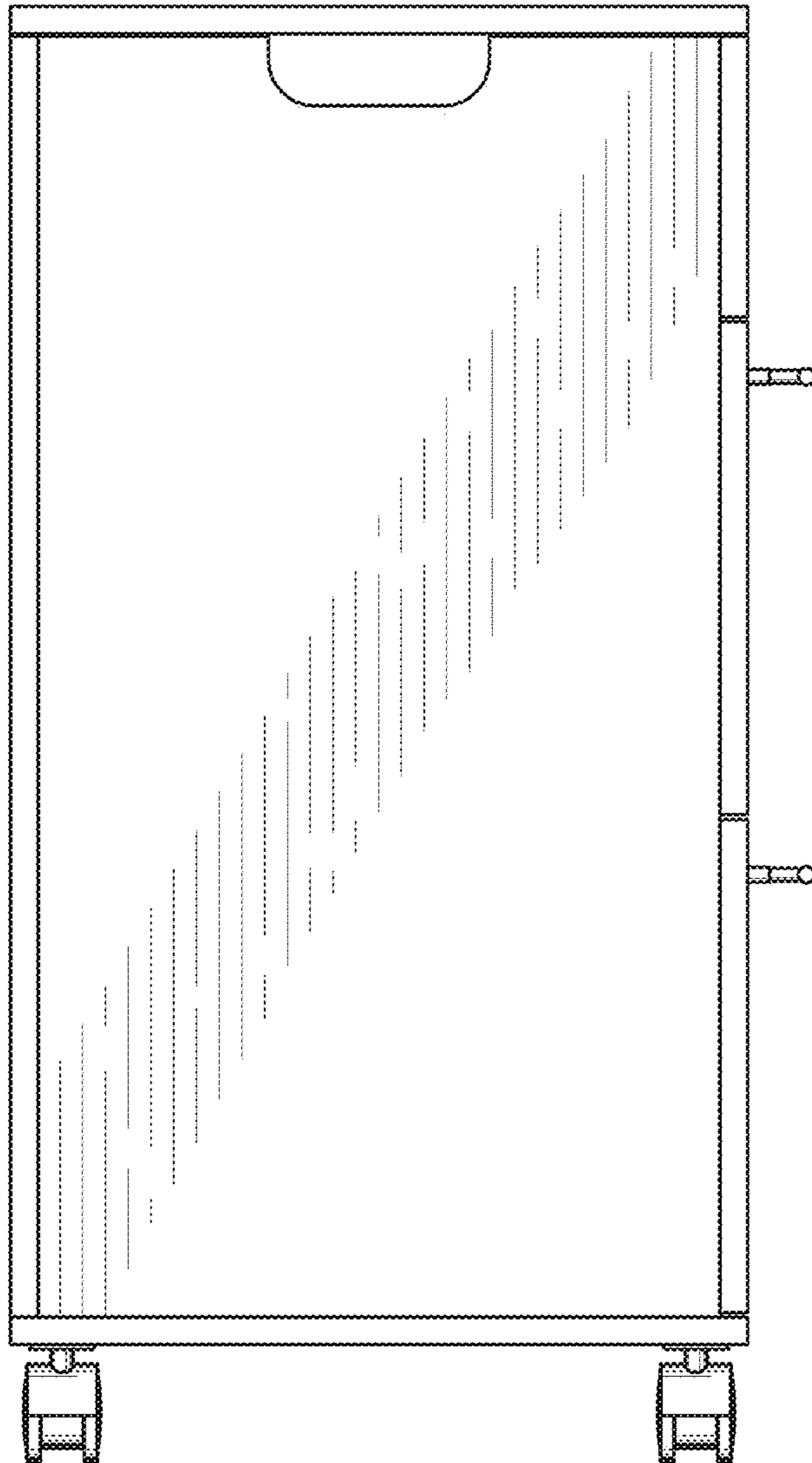


FIG. 4

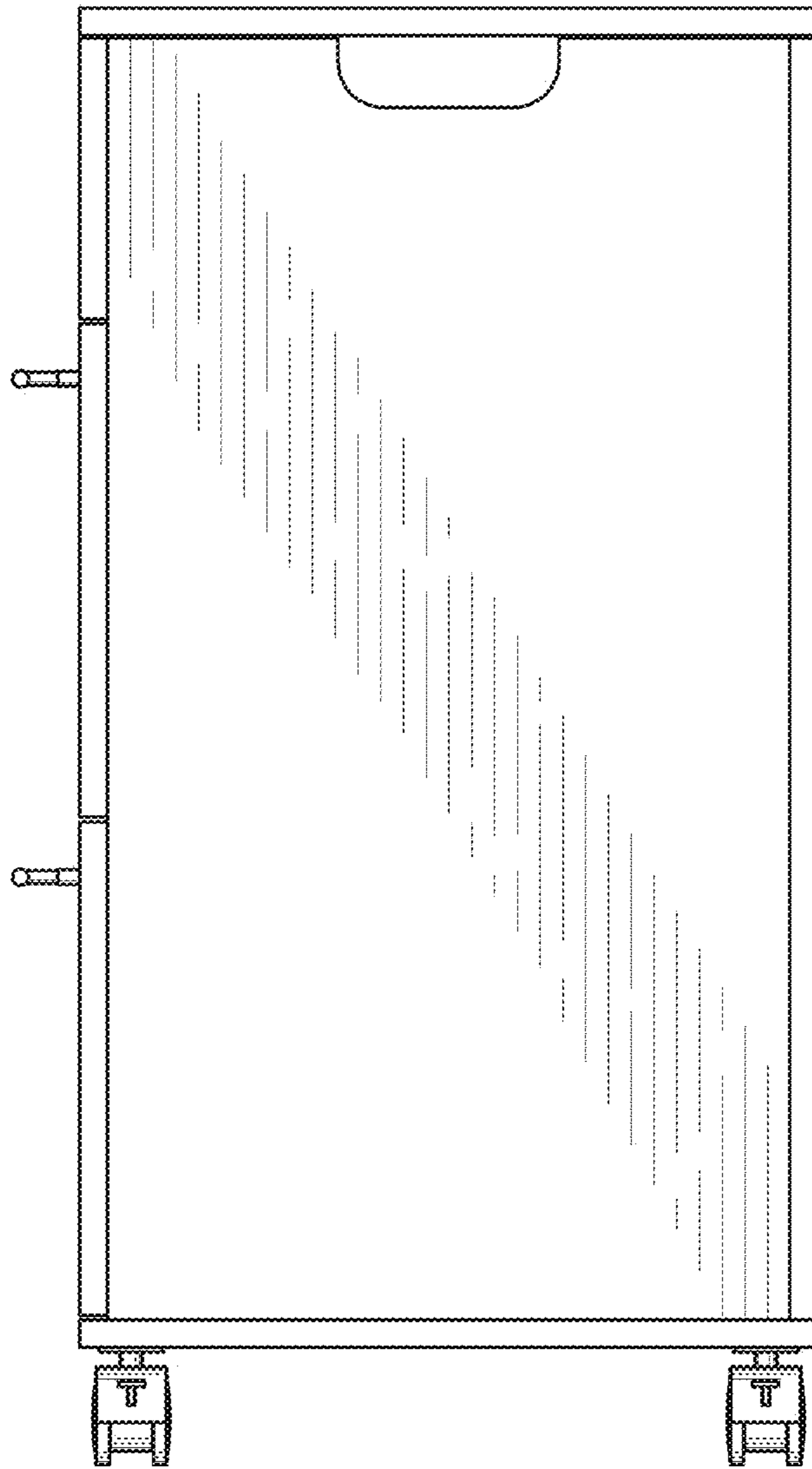


FIG. 5

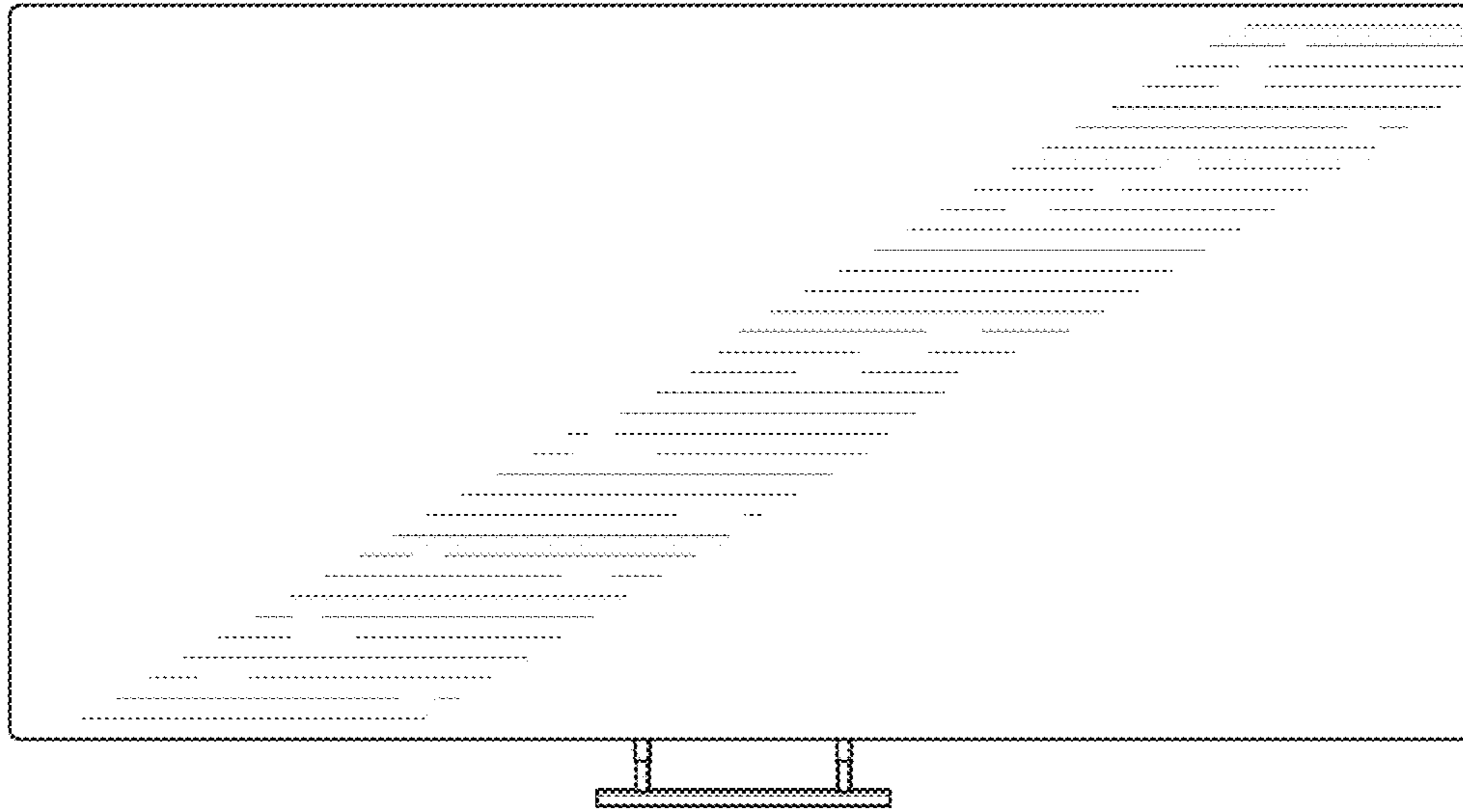


FIG. 6

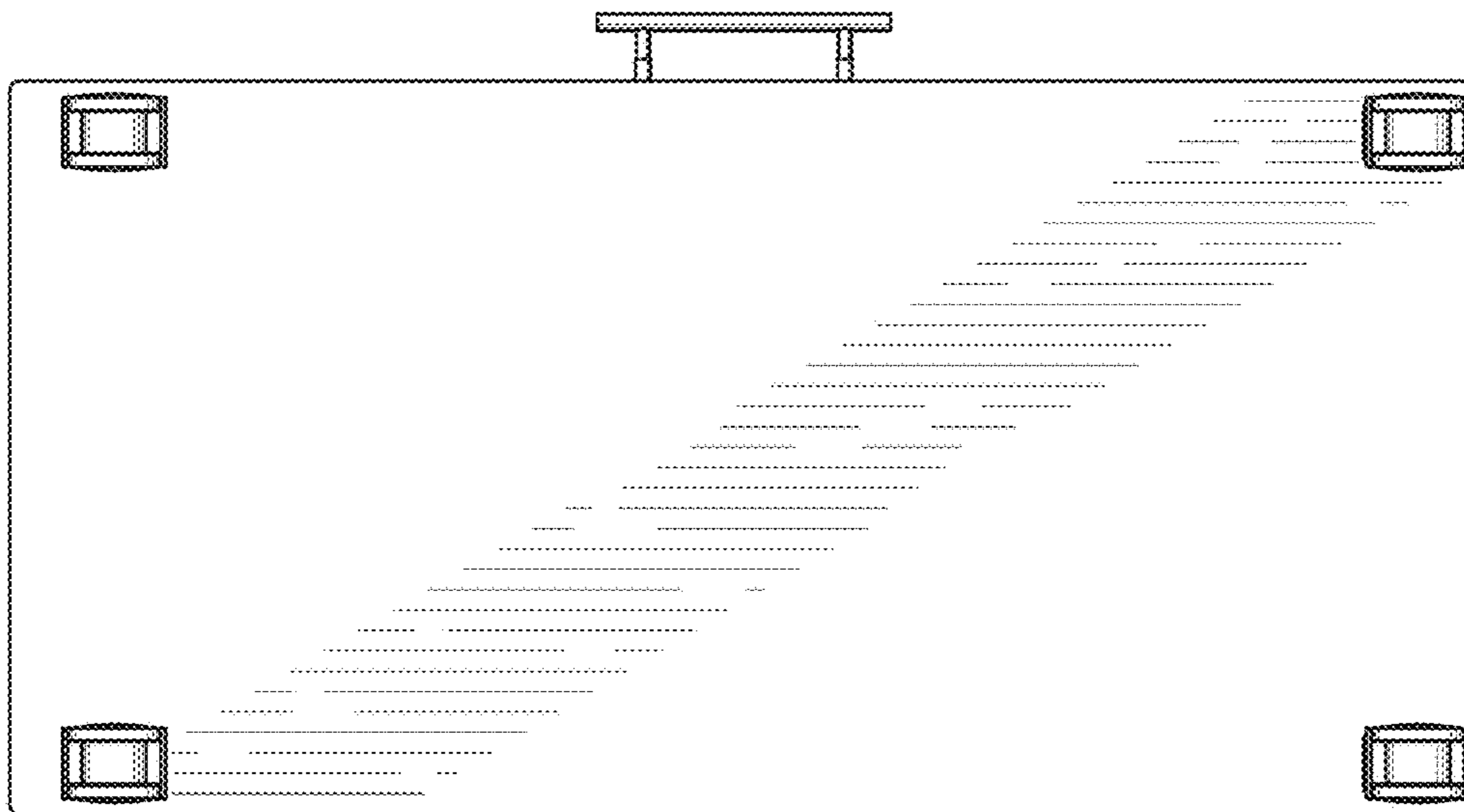


FIG. 7

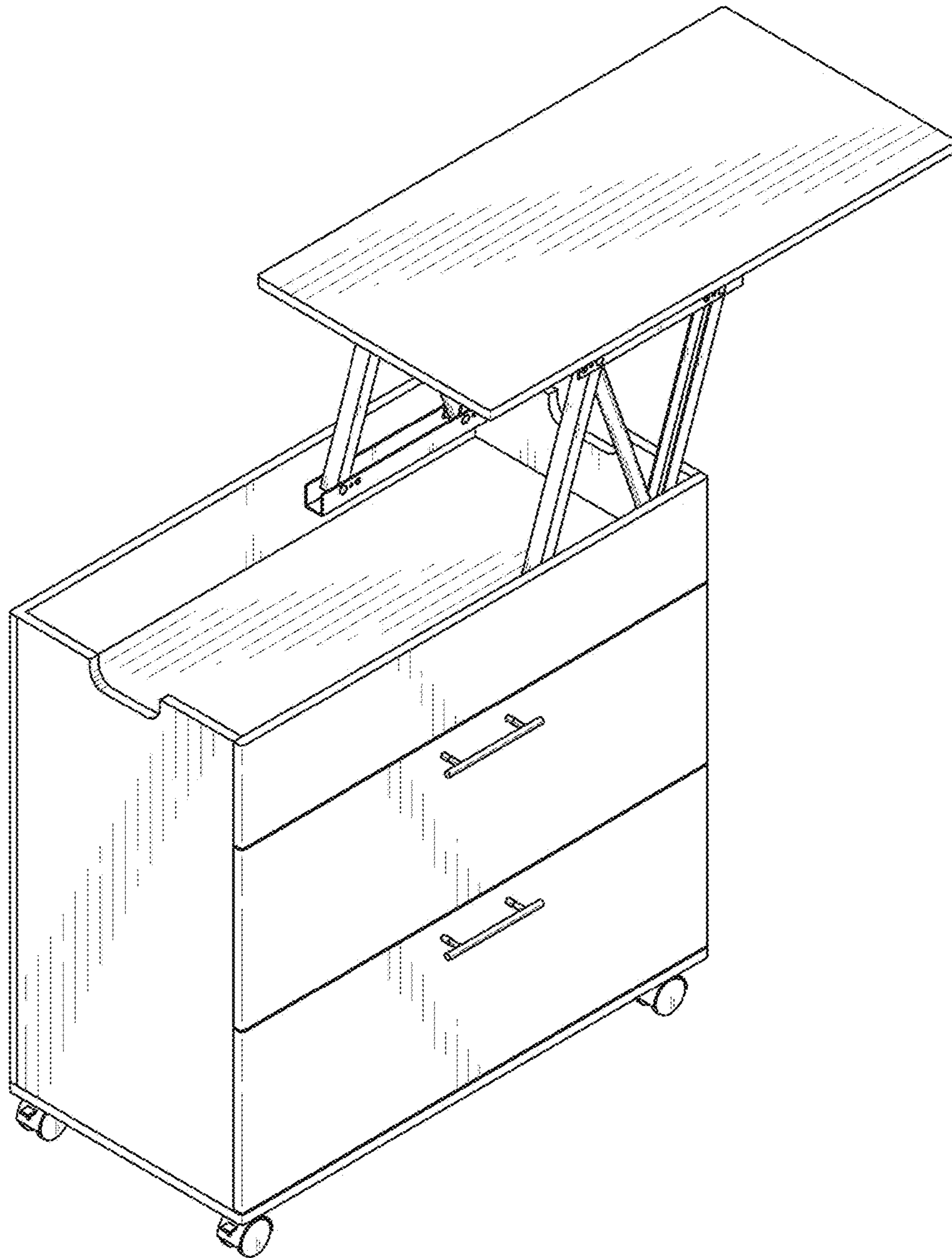


FIG. 8