



US00D854358S

(12) **United States Design Patent**
McCormick

(10) **Patent No.:** **US D854,358 S**

(45) **Date of Patent:** **** Jul. 23, 2019**

(54) **DESK**

(71) Applicant: **Horace McCormick**, Sanford, NC (US)

(72) Inventor: **Horace McCormick**, Sanford, NC (US)

(**) Term: **15 Years**

(21) Appl. No.: **29/633,822**

(22) Filed: **Jan. 16, 2018**

(51) **LOC (11) Cl.** **06-03**

(52) **U.S. Cl.**
USPC **D6/655**

(58) **Field of Classification Search**

USPC D6/640, 641, 642, 643, 643.1, 644, 648,
D6/648.1, 648.3, 648.4, 649, 650, 651,
D6/652, 655, 655.1, 655.11, 656, 668,
D6/685, 688.11, 688.21, 688.27, 690,
D6/695, 698, 696.1, 700, 709.22
CPC A47B 9/00; A47B 9/04; A47B 9/06; A47B
3/08; A47B 21/00; A47B 21/02; A47B
21/06; A47B 21/007; A47B 21/0314;
A47B 2009/185; A47B 2200/0013; A47B
2200/0026; A47B 2200/0085; A47B
2200/0087

See application file for complete search history.

(56) **References Cited**

U.S. PATENT DOCUMENTS

D115,489 S * 7/1939 Eisenberg D3/903
D121,622 S * 7/1940 Bojesen D6/655
D141,290 S * 5/1945 Meyerhoefer 312/194
D142,850 S * 11/1945 Geffner 108/15
D217,682 S * 5/1970 Meyer D6/642
D274,873 S * 7/1984 Cope D34/22
D275,913 S * 10/1984 Mulligan D6/301

D409,856 S * 5/1999 Rice, Jr. D6/642
D536,551 S * 2/2007 Domack D6/642
D598,671 S * 8/2009 Gagnon, Jr. D6/642
2002/0100395 A1* 8/2002 Long A47B 21/00
108/50.01
2018/0140091 A1* 5/2018 Martin A47B 13/02

* cited by examiner

Primary Examiner — Mary Ann Calabrese

Assistant Examiner — Catherine Ho

(74) *Attorney, Agent, or Firm* — Coats & Bennett, PLLC

(57) **CLAIM**

The ornamental design for a desk, as shown and described.

DESCRIPTION

FIG. 1 is a front off-angle perspective view of a desk in a closed position showing the new design.

FIG. 2 is a front elevational view thereof.

FIG. 3 is a rear elevational view thereof.

FIG. 4 is a top plan view thereof.

FIG. 5 is a right side elevational view thereof.

FIG. 6 is a left side elevational view thereof.

FIG. 7 is a front off-angle perspective view of the desk in an open position.

FIG. 8 is a front elevational view of the desk depicted in FIG. 7.

FIG. 9 is a rear elevational view of the desk depicted in FIG. 7.

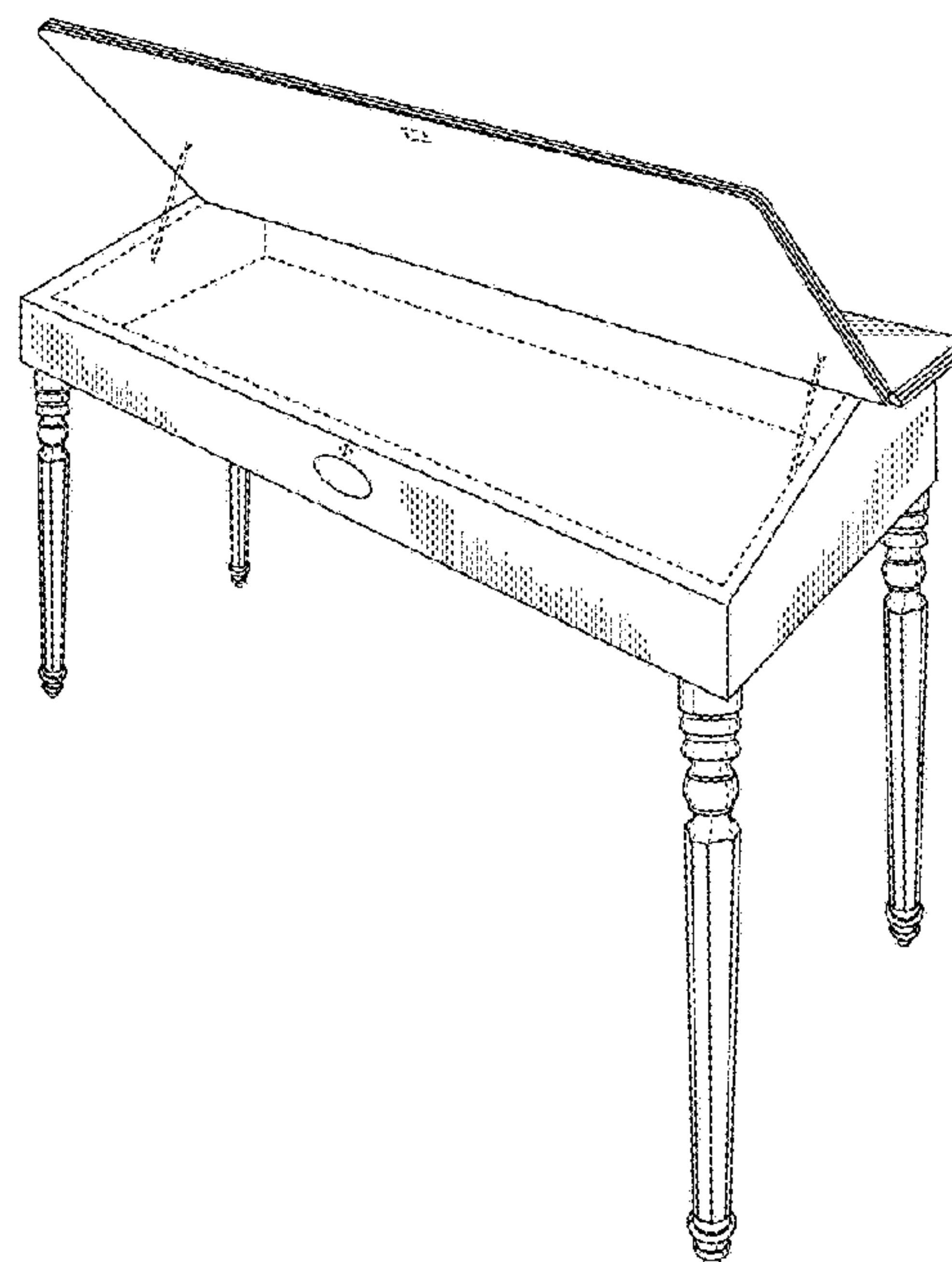
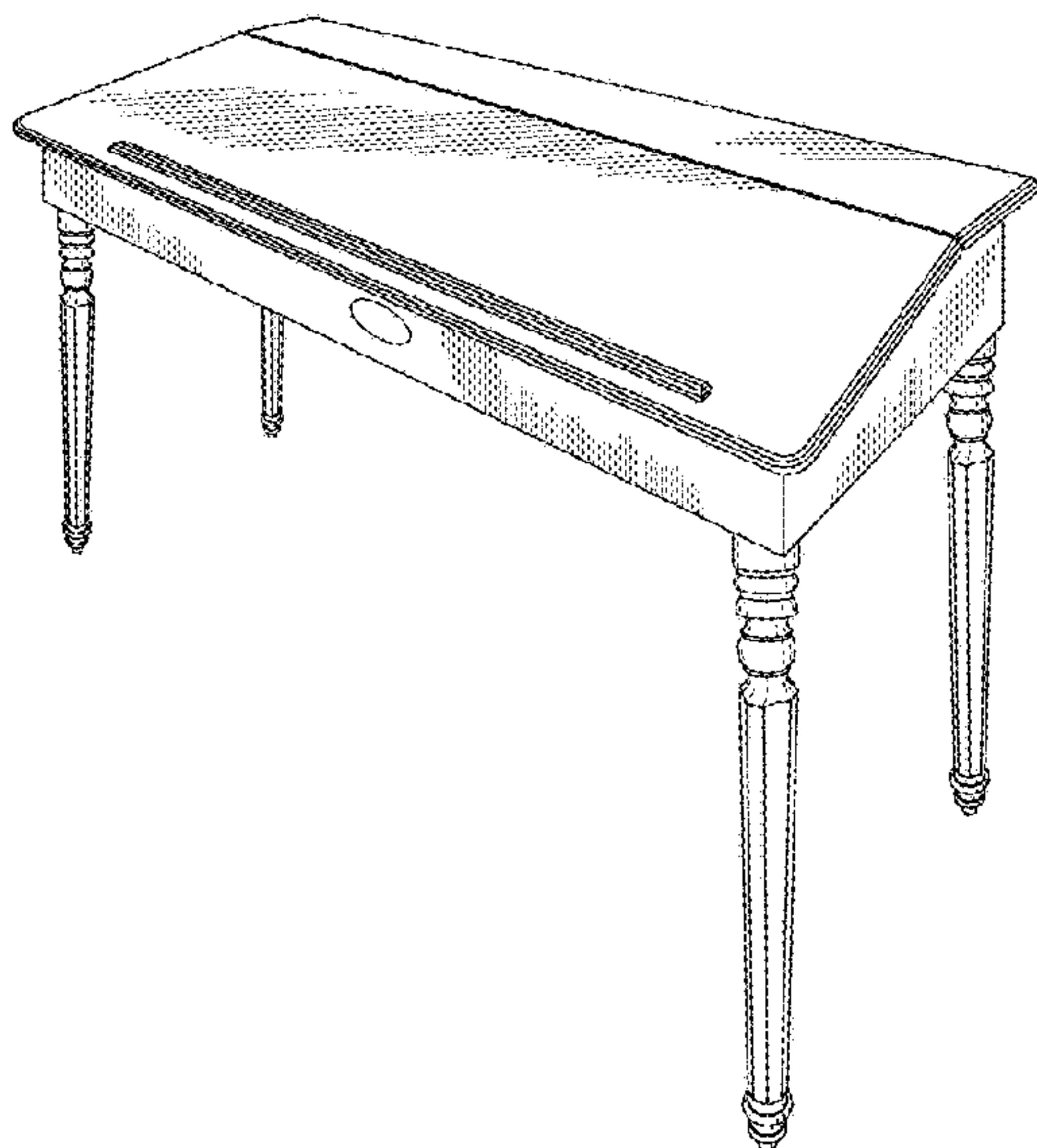
FIG. 10 is a top plan view of the desk depicted in FIG. 7.

FIG. 11 is a right side elevational view of the desk depicted in FIG. 7; and,

FIG. 12 is a left side elevational view of the desk depicted in FIG. 7.

The broken lines shown in the drawings illustrate portions of the desk that form no part of the claimed design.

1 Claim, 12 Drawing Sheets



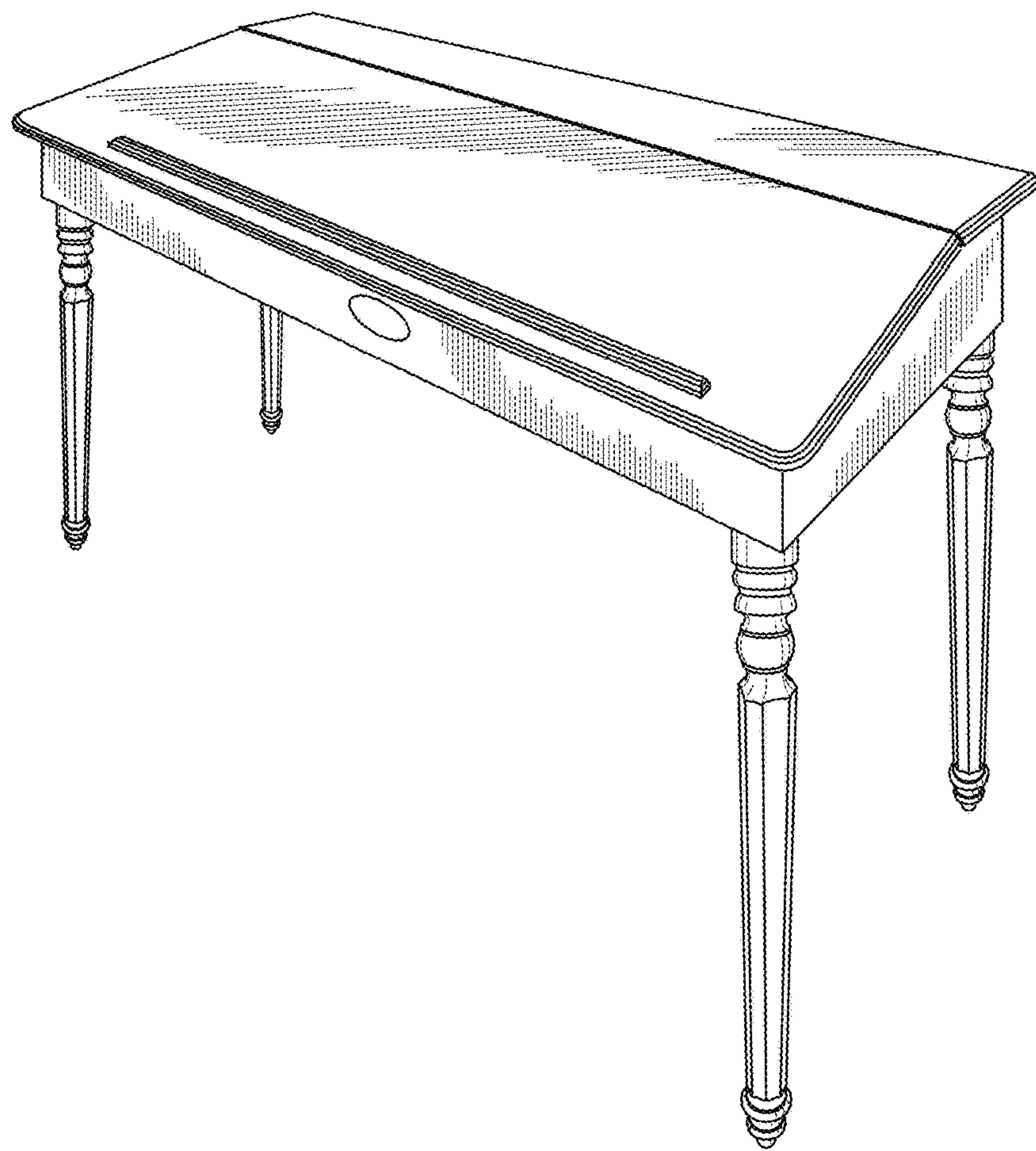


FIG. 1

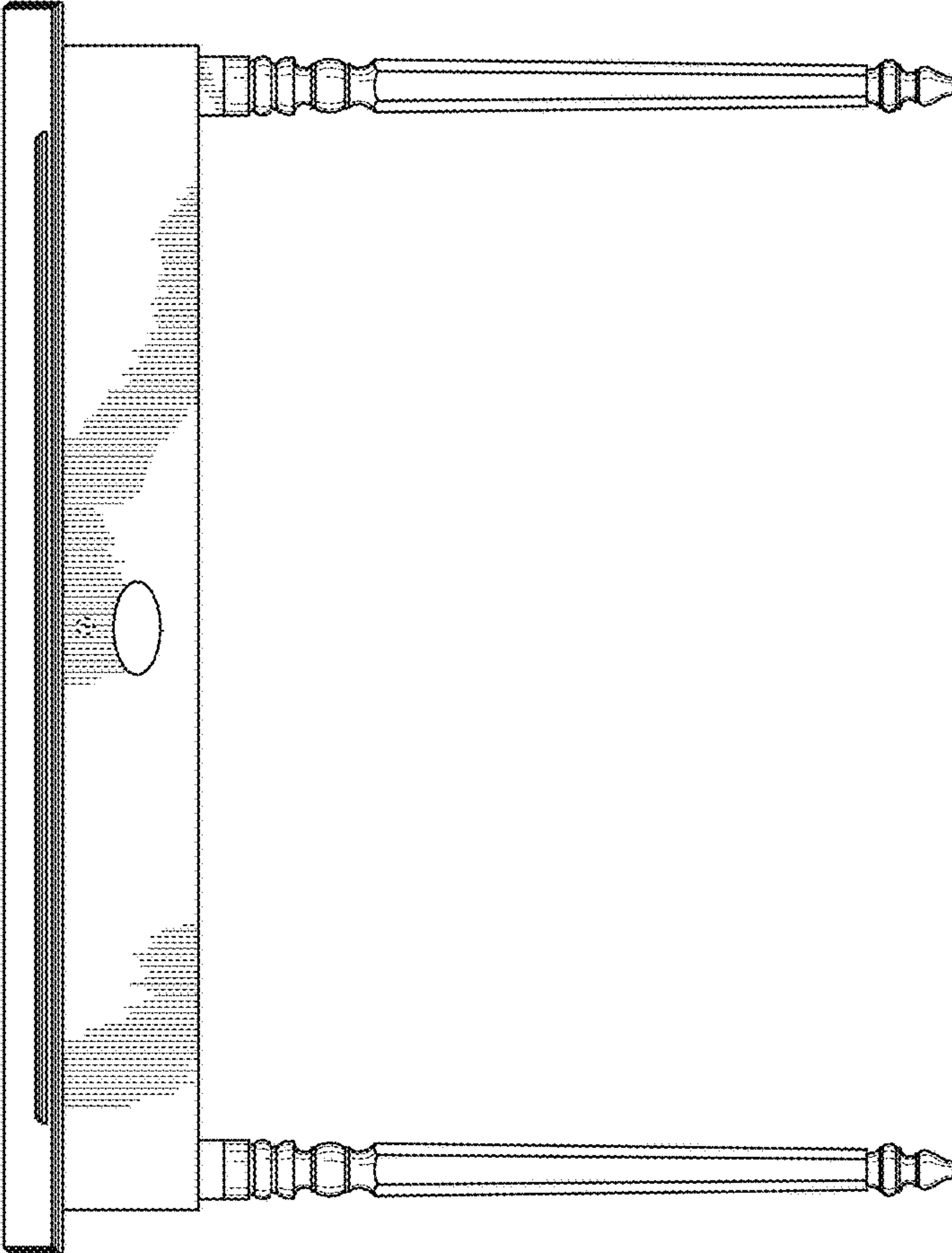


FIG. 2

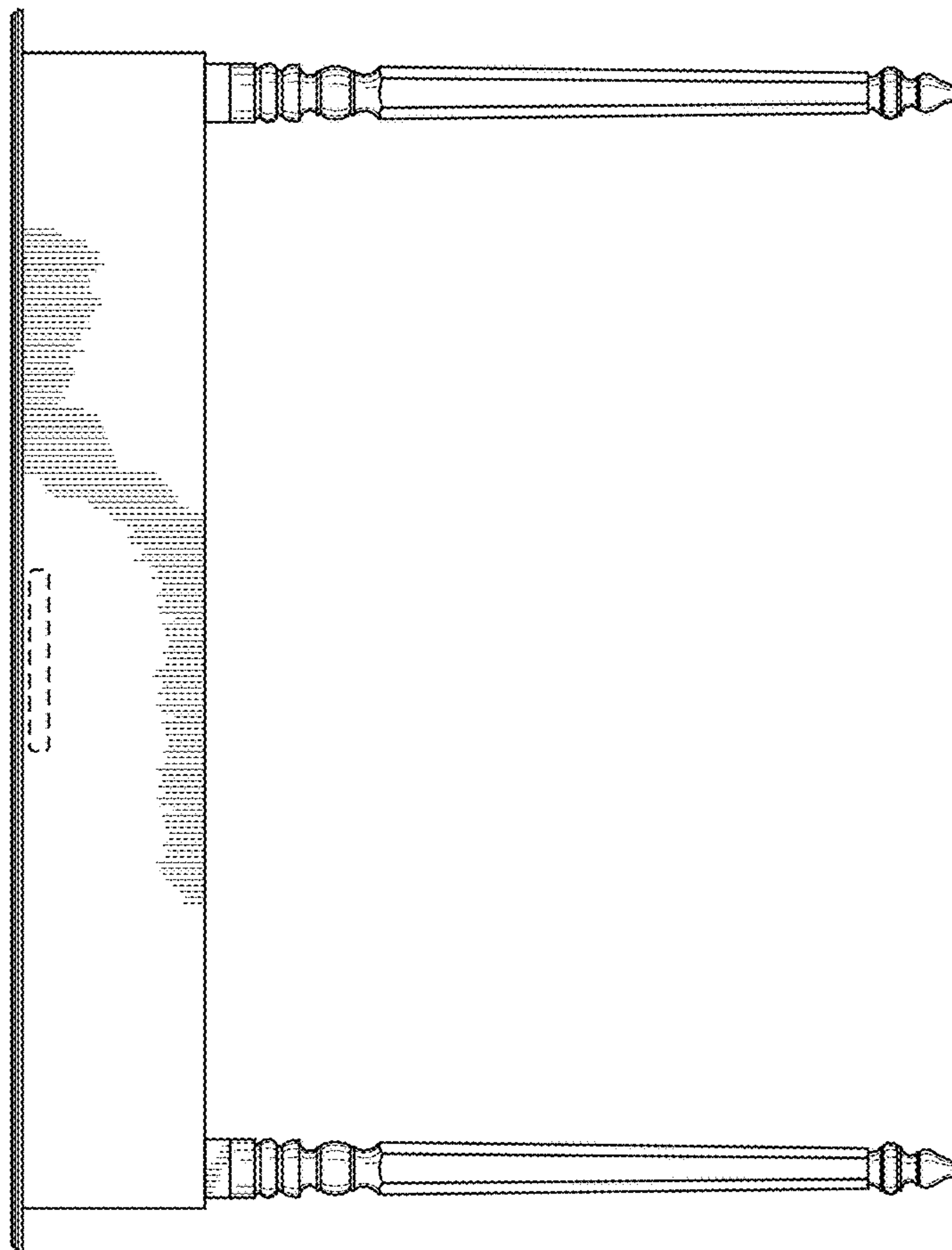


FIG. 3

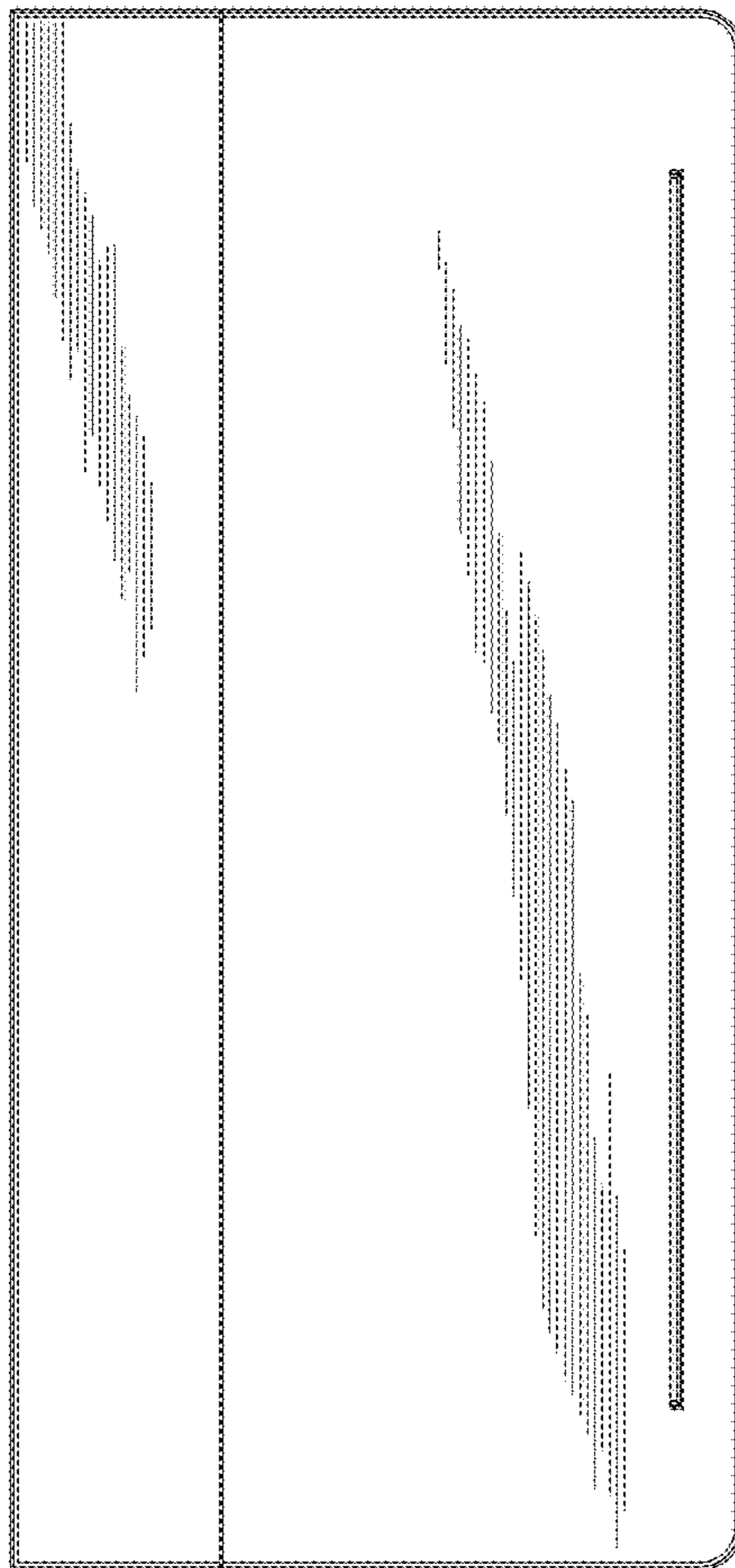


FIG. 4

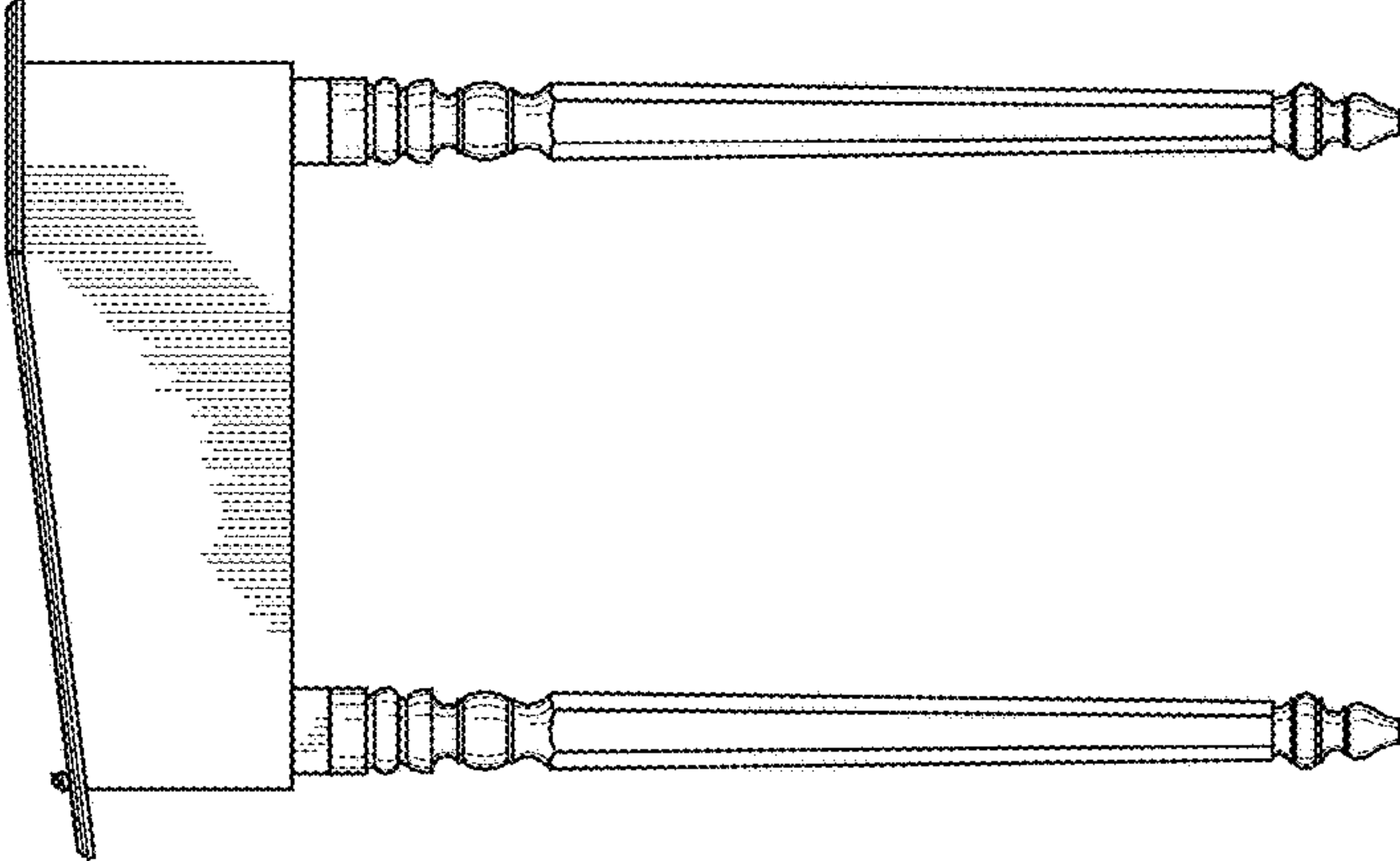


FIG. 5

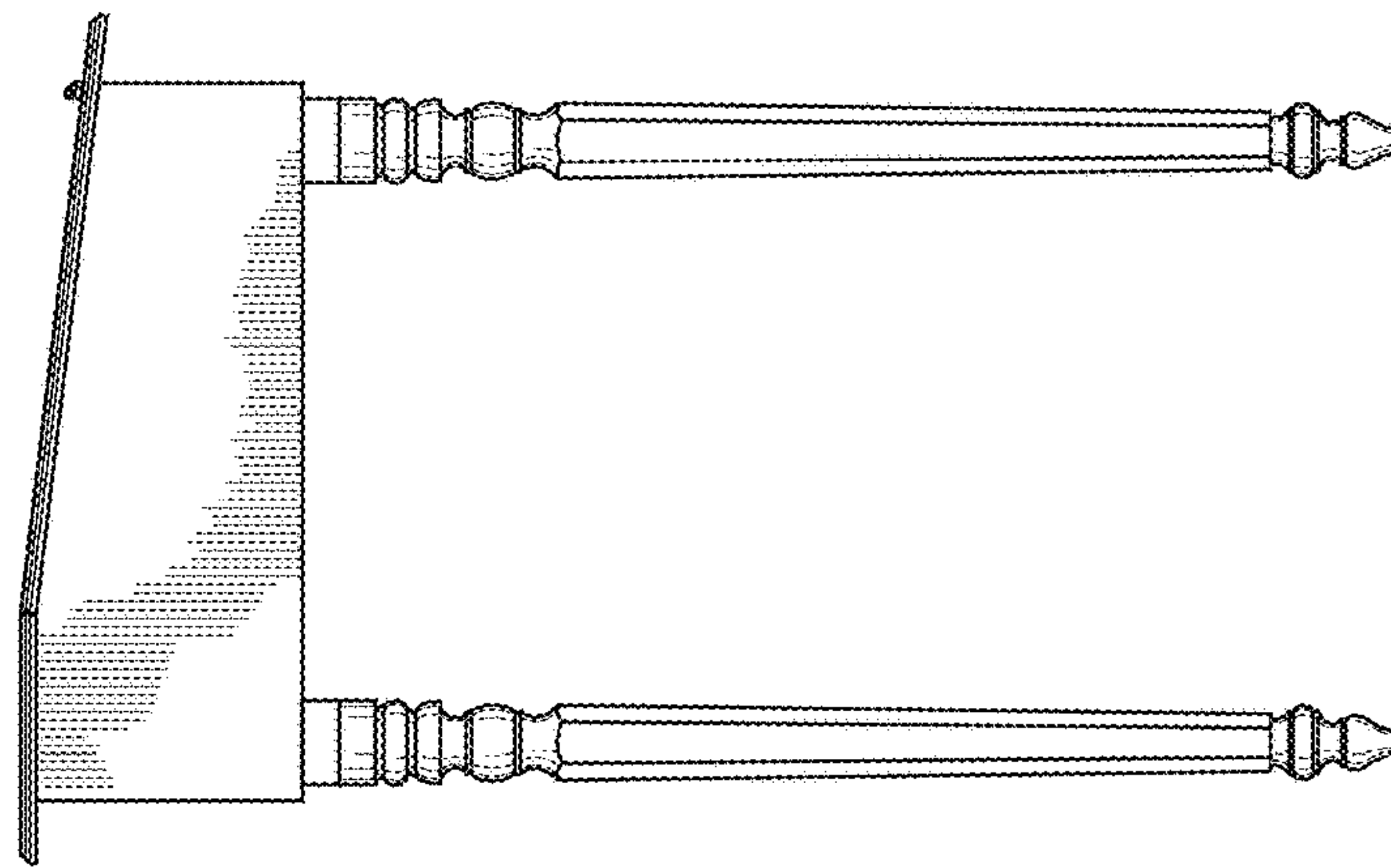


FIG. 6

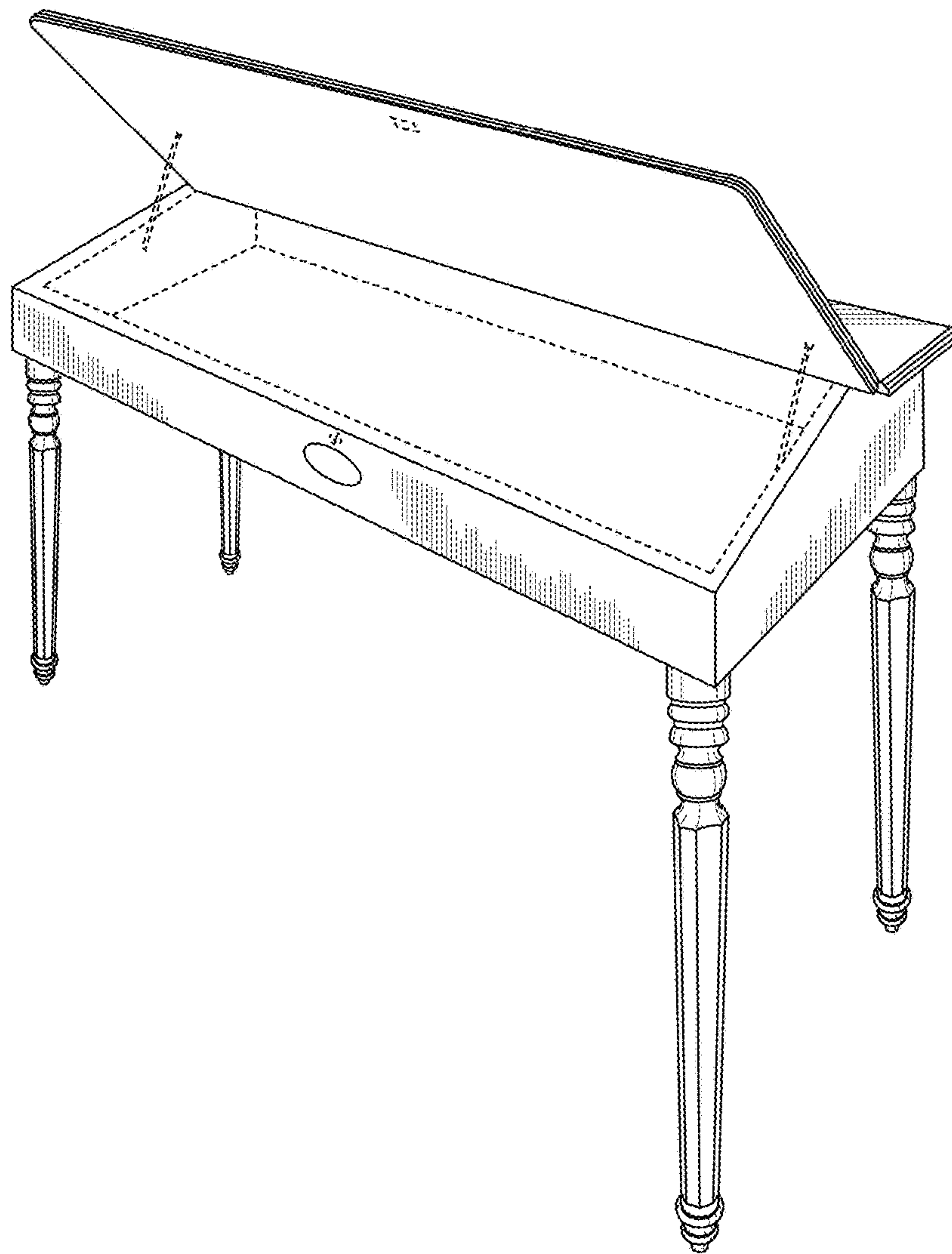


FIG. 7

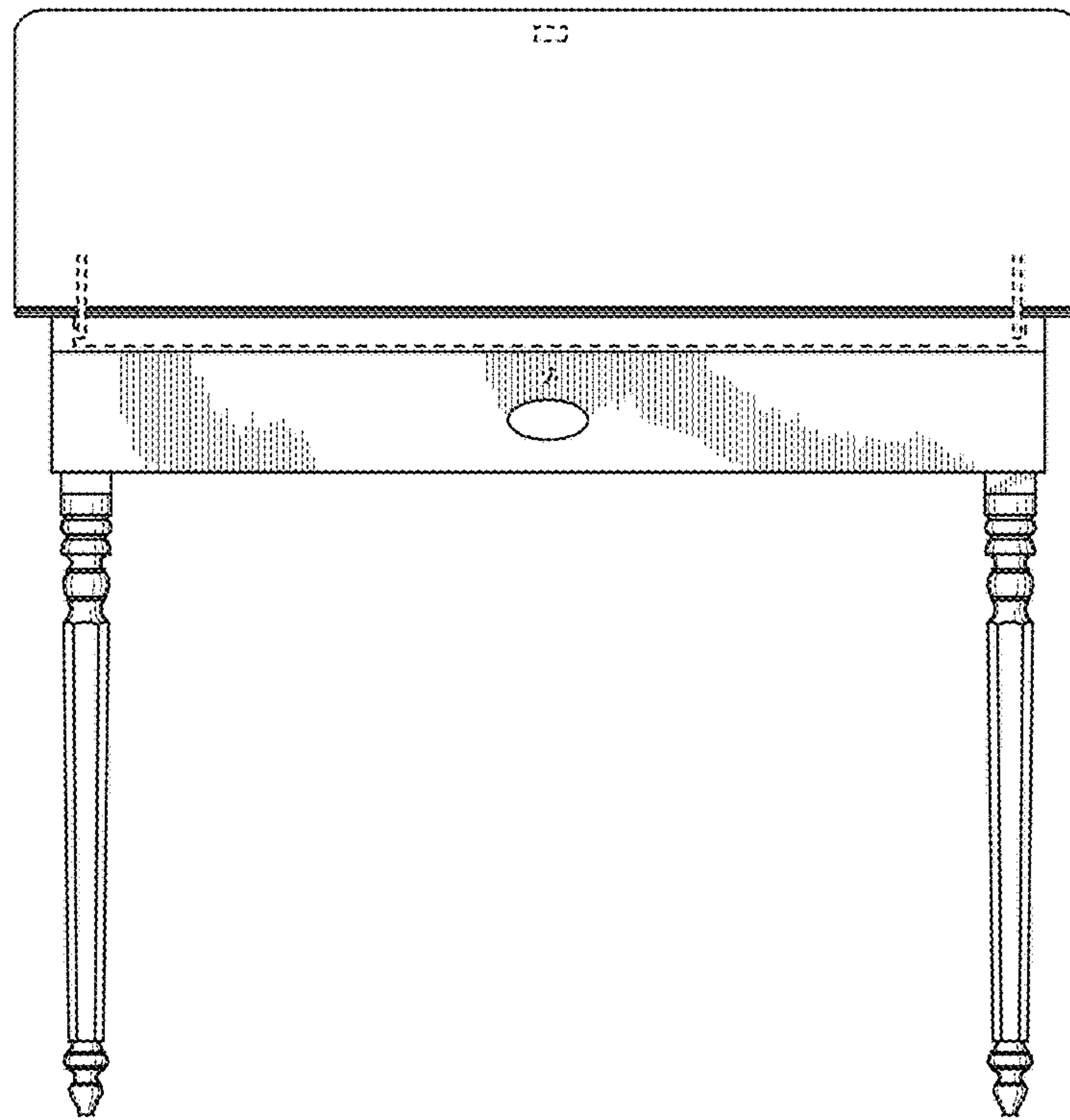


FIG. 8

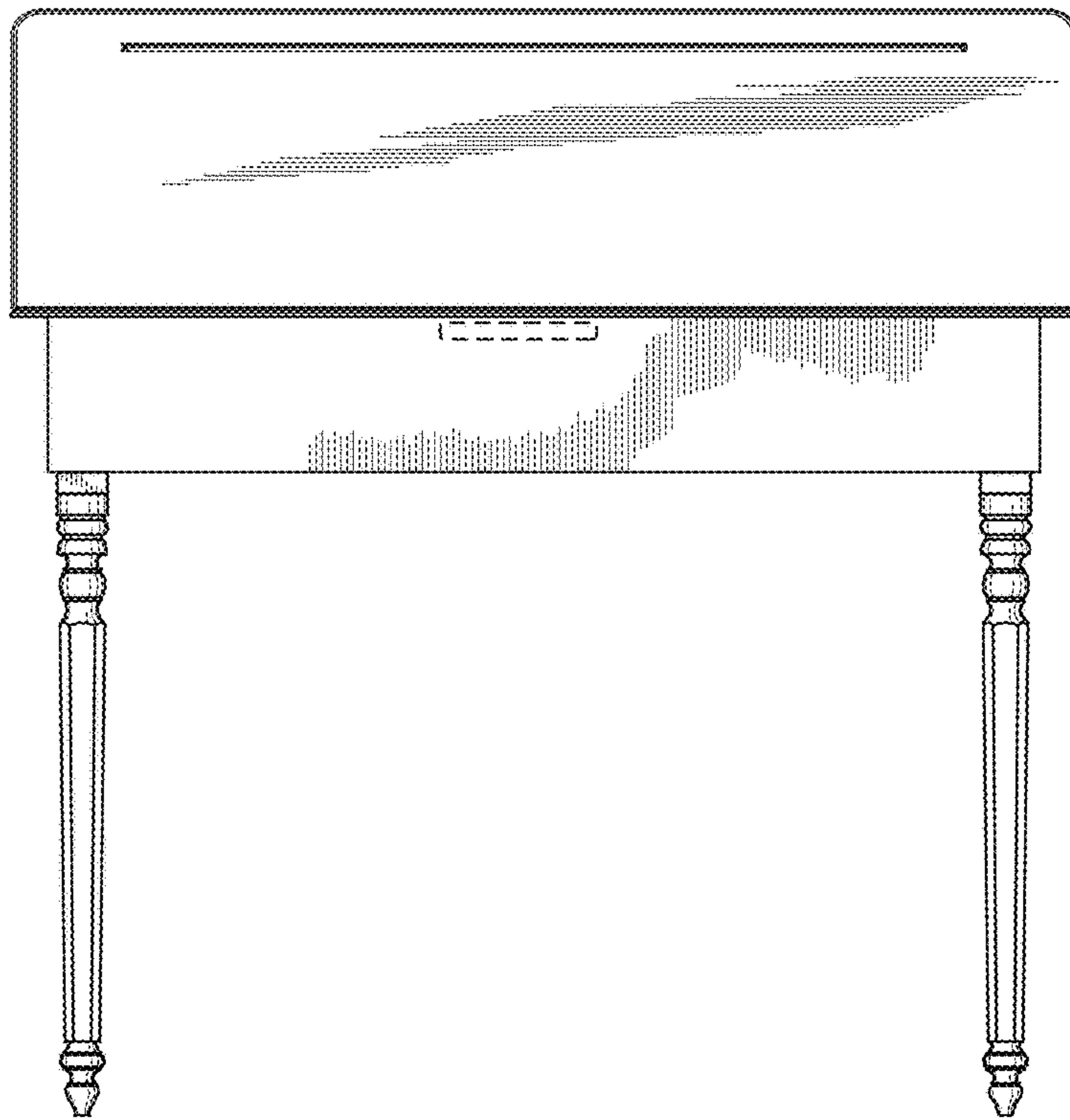


FIG. 9

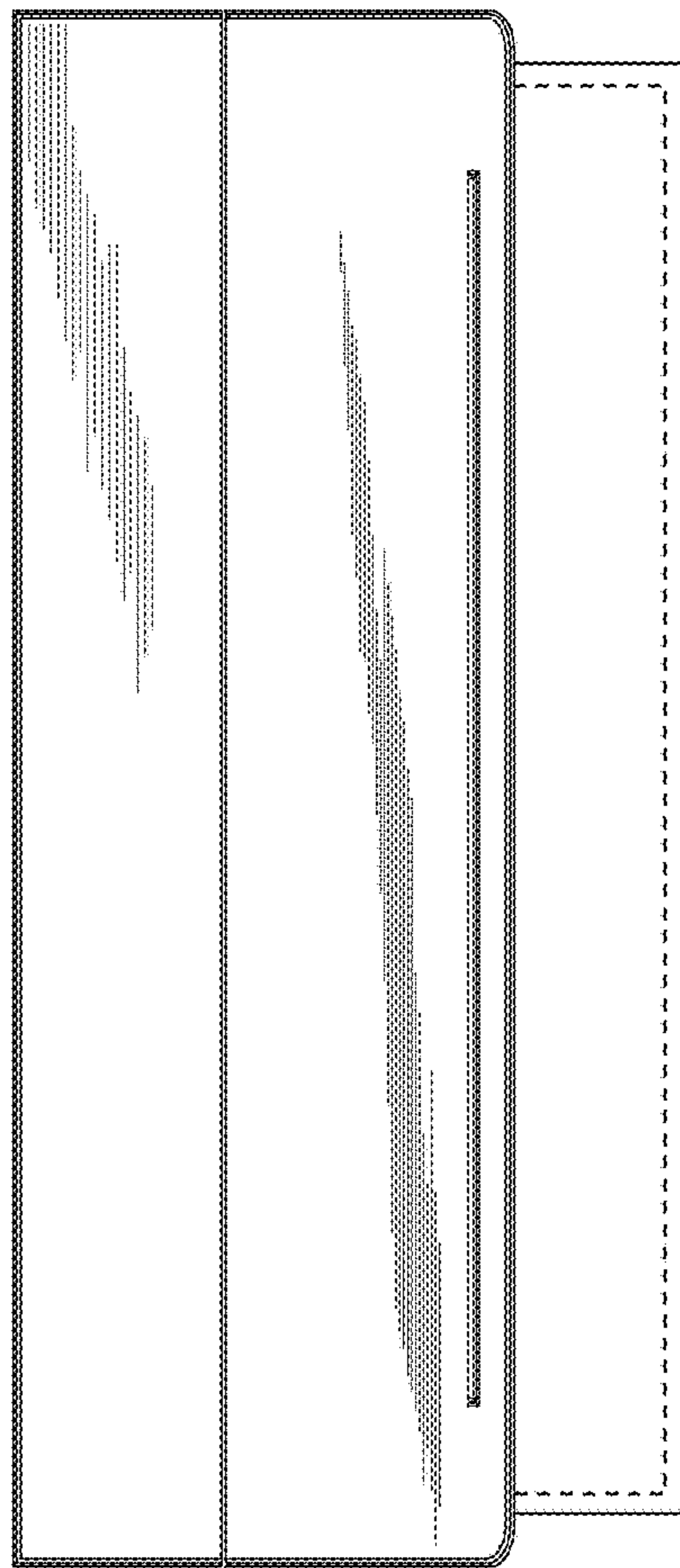


FIG. 10

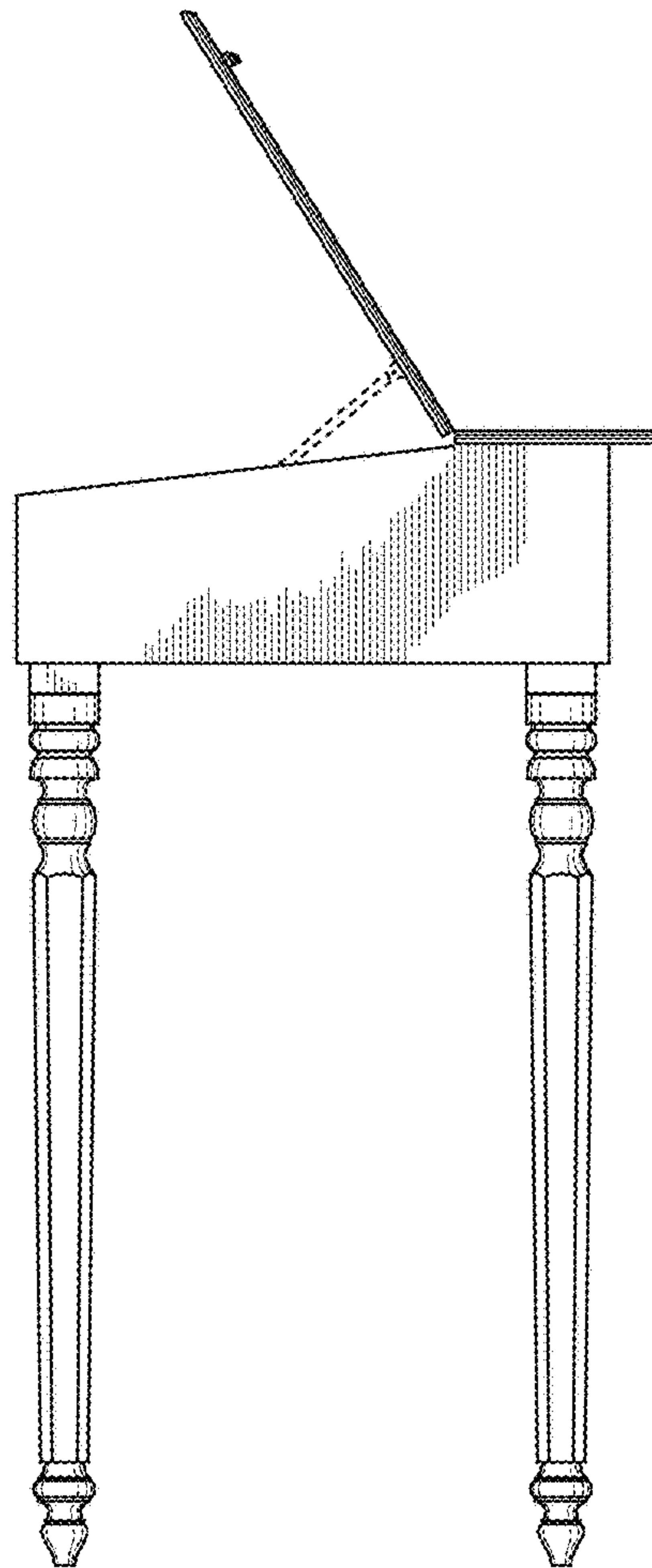


FIG. 11

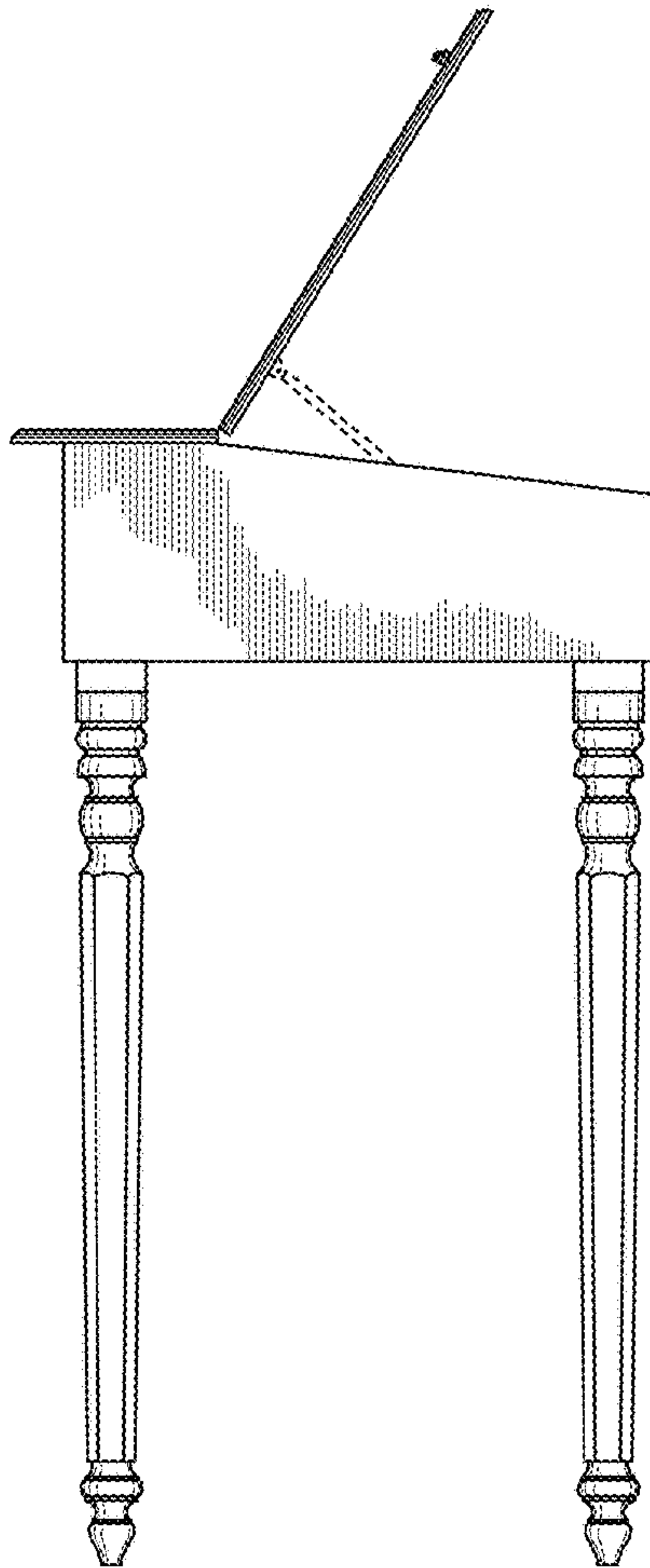


FIG. 12