



US00D854357S

(12) **United States Design Patent**
Wolf

(10) **Patent No.:** **US D854,357 S**
(45) **Date of Patent:** **** Jul. 23, 2019**

- (54) **NESTABLE VOTING BOOTH**
- (71) Applicant: **Andrew Wolf**, Long Beach, NY (US)
- (72) Inventor: **Andrew Wolf**, Long Beach, NY (US)
- (**) Term: **15 Years**
- (21) Appl. No.: **29/628,391**
- (22) Filed: **Dec. 4, 2017**
- (51) **LOC (11) Cl.** **06-06**
- (52) **U.S. Cl.**
USPC **D6/643**
- (58) **Field of Classification Search**
USPC D6/640, 641, 642, 643, 643.1, 644, 648,
D6/648.1, 648.3, 648.4, 649, 650, 651,
D6/652, 655, 655.1, 655.11, 656, 668,
D6/685, 688.11, 688.21, 688.27, 690,
D6/695, 698, 696.1, 700, 709.22
CPC A47B 9/00; A47B 9/04; A47B 9/06; A47B
3/08; A47B 21/00; A47B 21/02; A47B
21/06; A47B 21/007; A47B 21/0314;
A47B 2009/185; A47B 2200/0013; A47B
2200/0026; A47B 2200/0085; A47B
2200/0087
See application file for complete search history.

(56) **References Cited**
U.S. PATENT DOCUMENTS

D603,183 S	11/2009	Abel
D603,184 S	11/2009	Abel
D603,621 S	11/2009	Abel
D616,217 S	5/2010	Abel
D616,667 S	6/2010	Pazhoor
D616,668 S	6/2010	Pazhoor
D622,975 S	9/2010	Abel
7,895,954 B2	3/2011	Abel
D646,502 S	10/2011	Pazhoor

8,181,582 B2	5/2012	Abel	
D671,764 S *	12/2012	Pazhoor	D6/643
D671,765 S *	12/2012	Pazhoor	D6/643
D671,766 S *	12/2012	Pazhoor	D6/643
D671,767 S *	12/2012	Pazhoor	D6/643
D671,768 S *	12/2012	Pazhoor	D6/643
8,539,887 B2	9/2013	Pazhoor	
8,651,031 B1 *	2/2014	Pazhoor	E04H 1/1255 108/115
2010/0224105 A1 *	9/2010	Abel	A47B 7/02 108/91
2013/0063007 A1 *	3/2013	Pazhoor	E04H 1/1255 312/237

* cited by examiner

Primary Examiner — Mary Ann Calabrese
Assistant Examiner — Catherine Ho
(74) *Attorney, Agent, or Firm* — Meglar IP Law; Tod M. Melgar

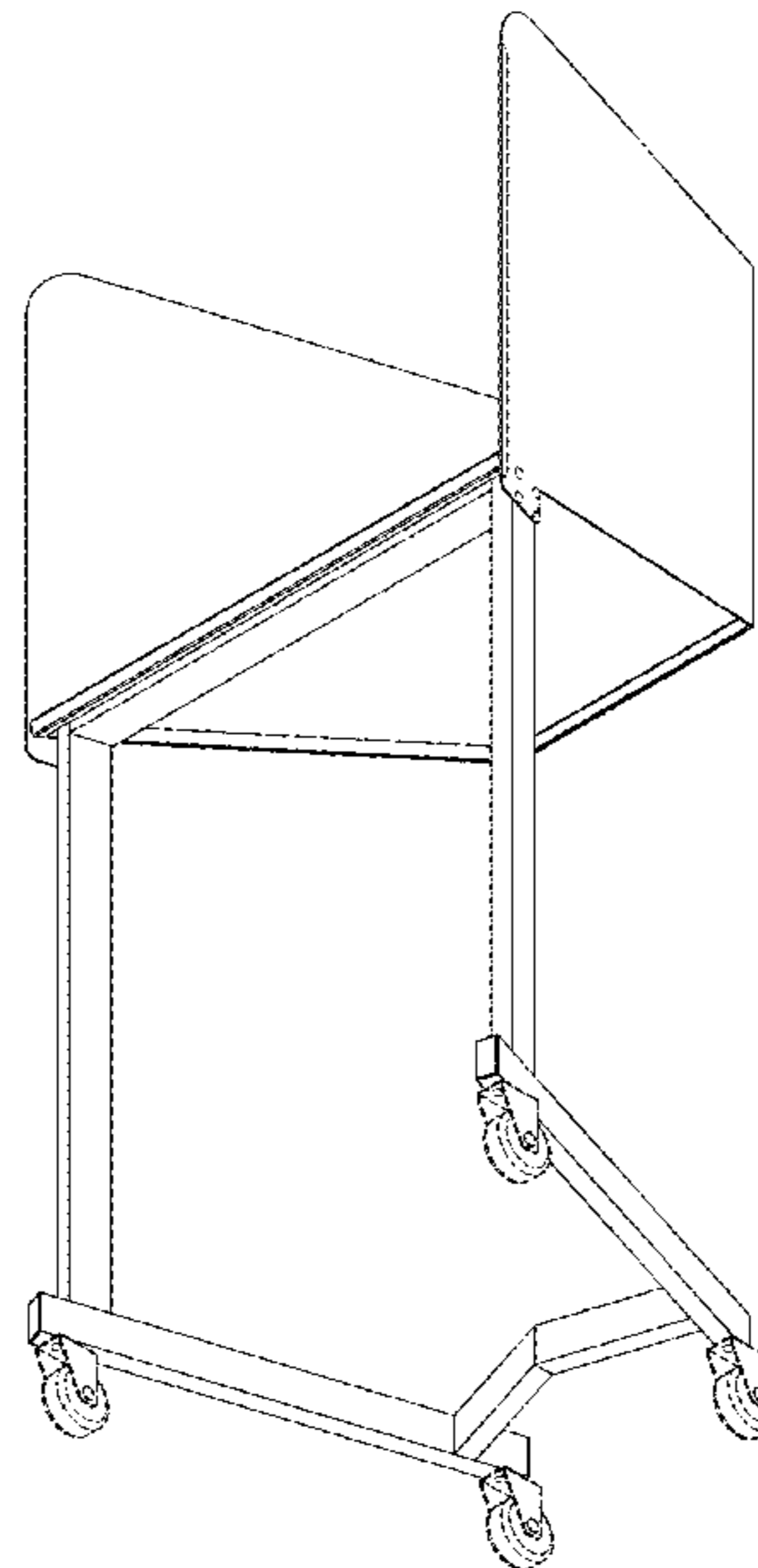
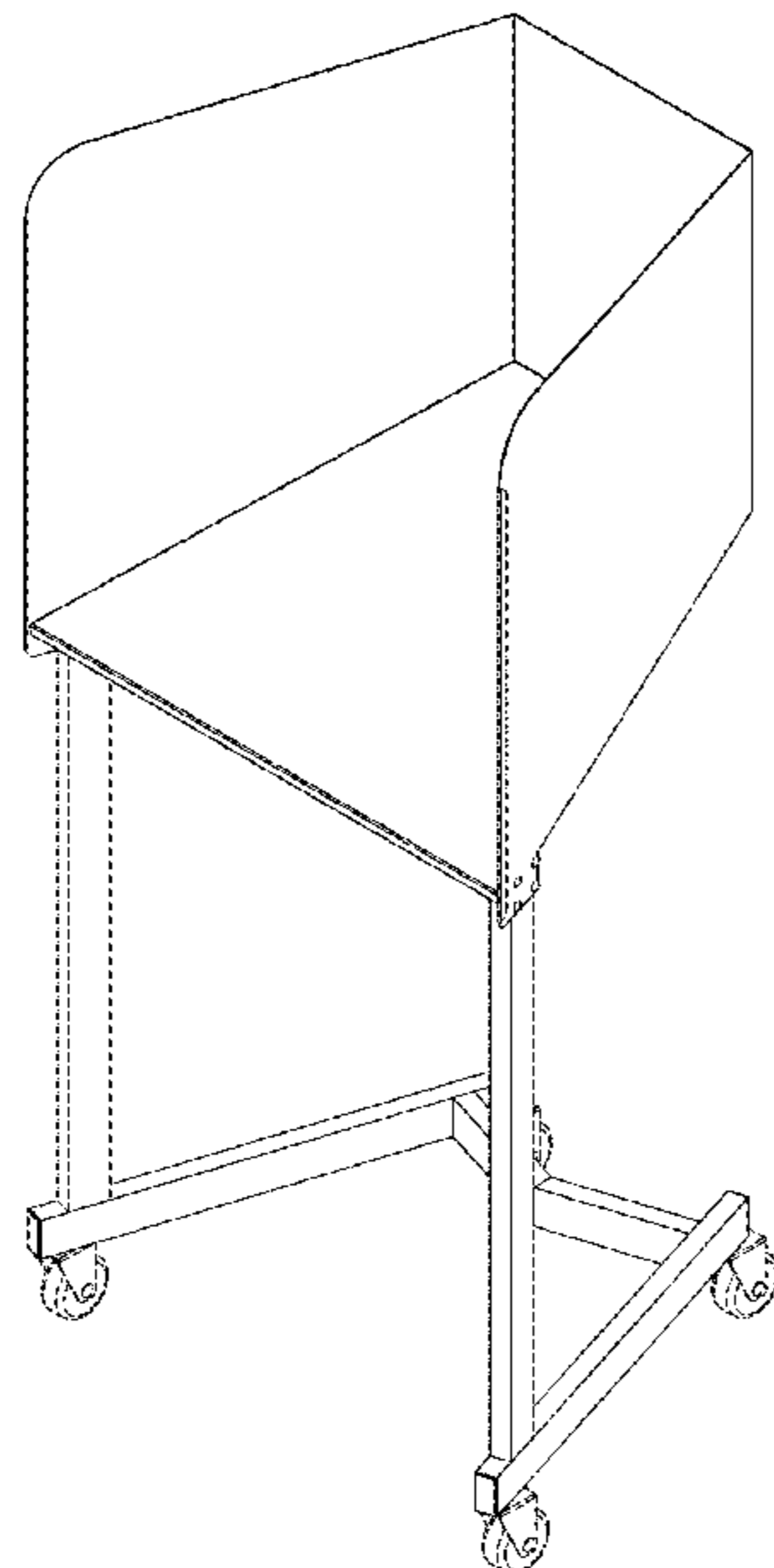
(57) **CLAIM**

The ornamental design for a nestable voting booth, as shown and described.

DESCRIPTION

FIG. 1 is a front view of the nestable voting booth.
FIG. 2 is a back view of the nestable voting booth.
FIG. 3 is a left side view of the nestable voting booth.
FIG. 4 is a right side view of the nestable voting booth.
FIG. 5 is a top view of the nestable voting booth.
FIG. 6 is a bottom view of the nestable voting booth.
FIG. 7 is a top side perspective view of the nestable voting booth; and,
FIG. 8 is a bottom side perspective view of the nestable voting booth.
The broken line portion of the figure drawings is included to show environment that form no part of the claimed design.

1 Claim, 7 Drawing Sheets



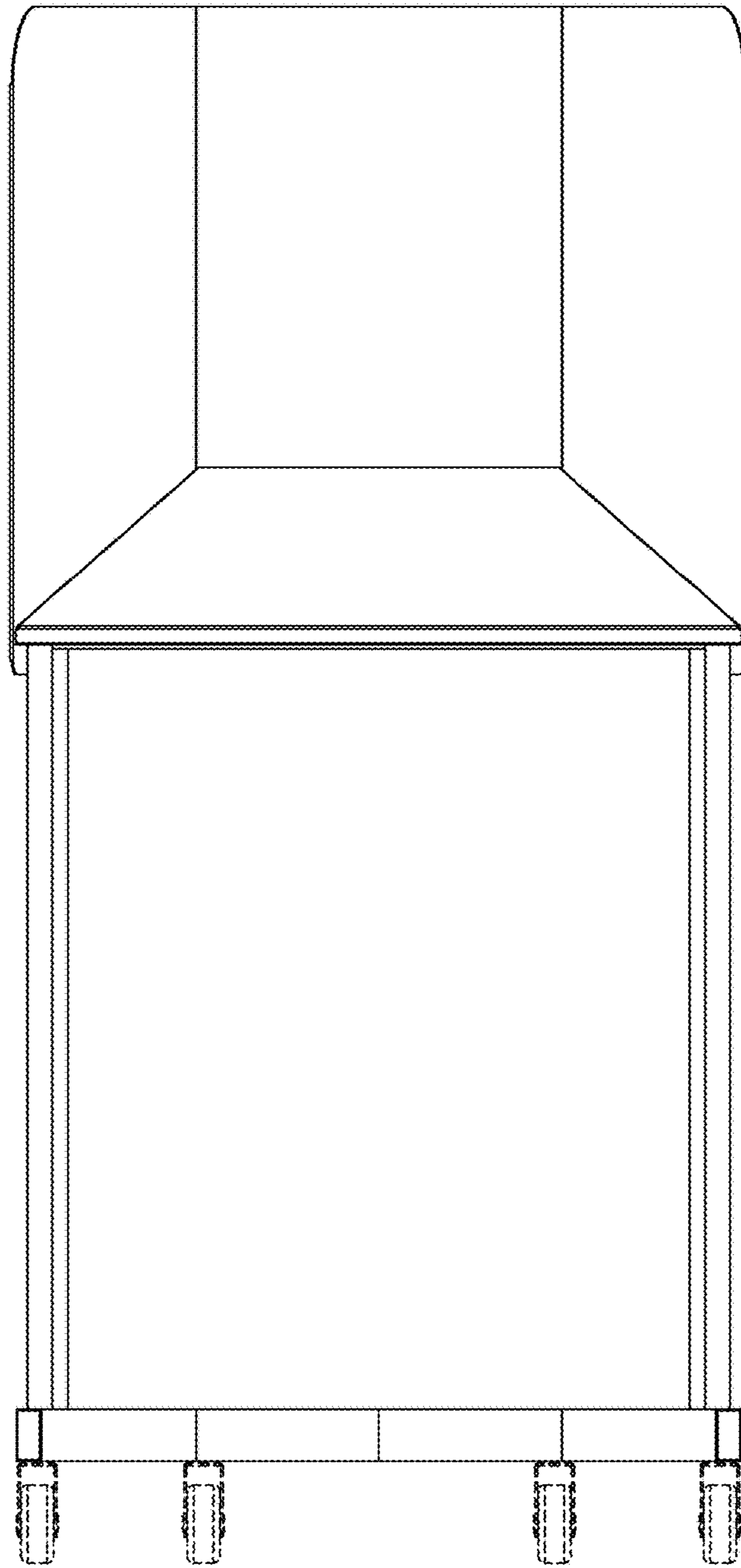


FIG. 1

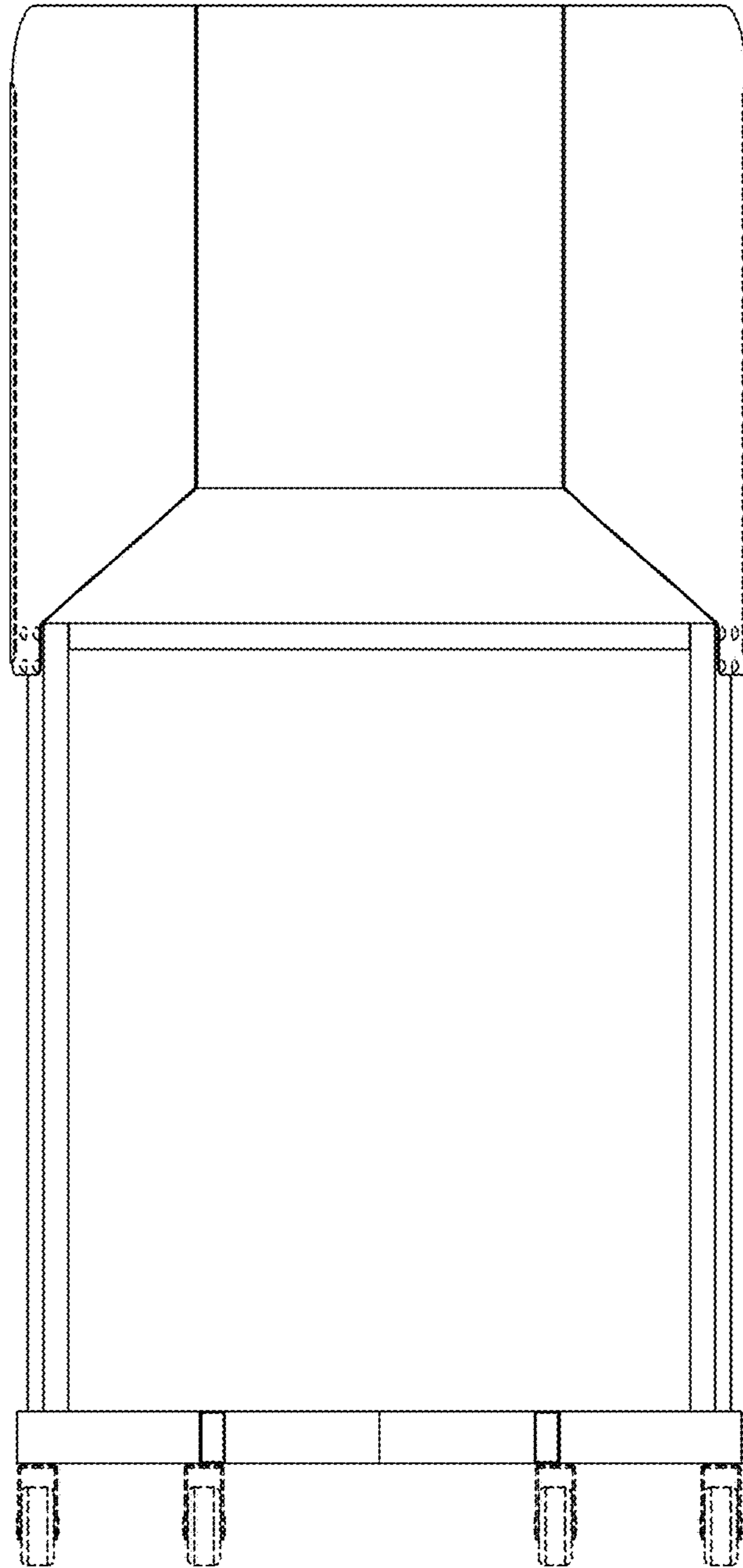


FIG. 2

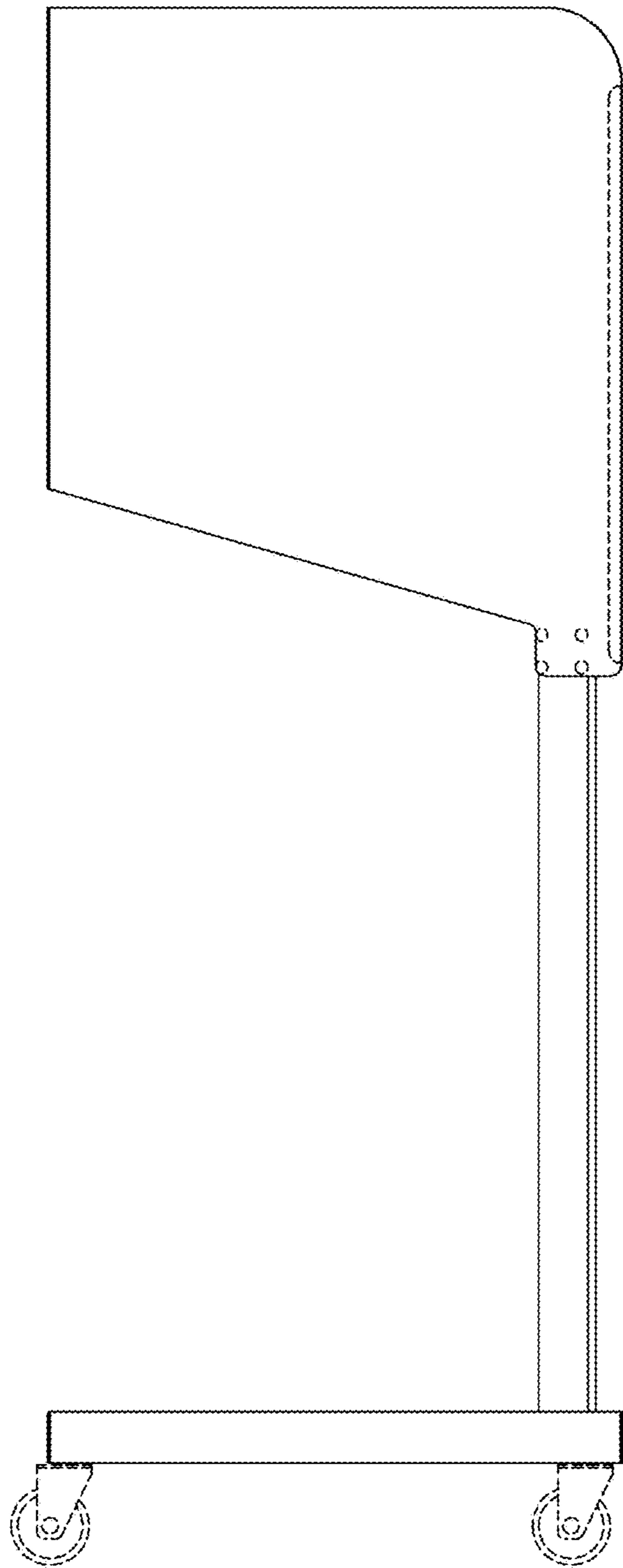


FIG. 3

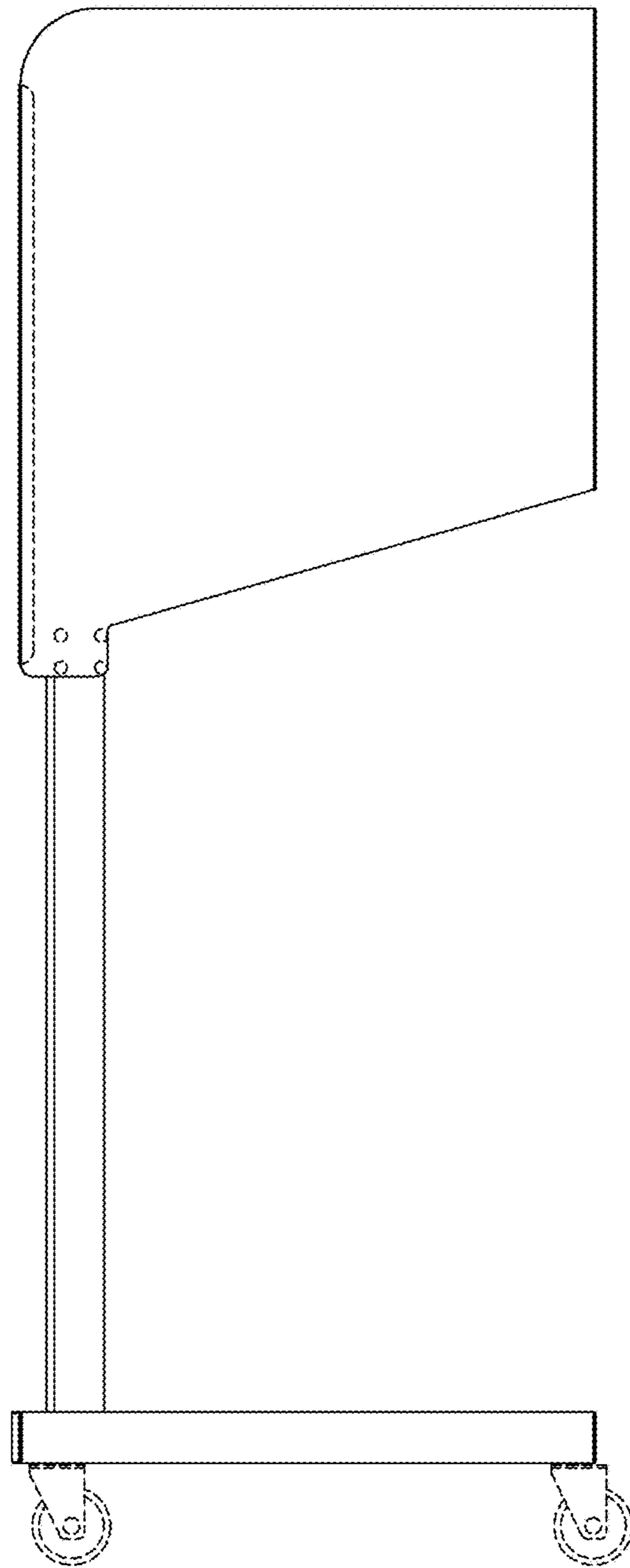


FIG. 4

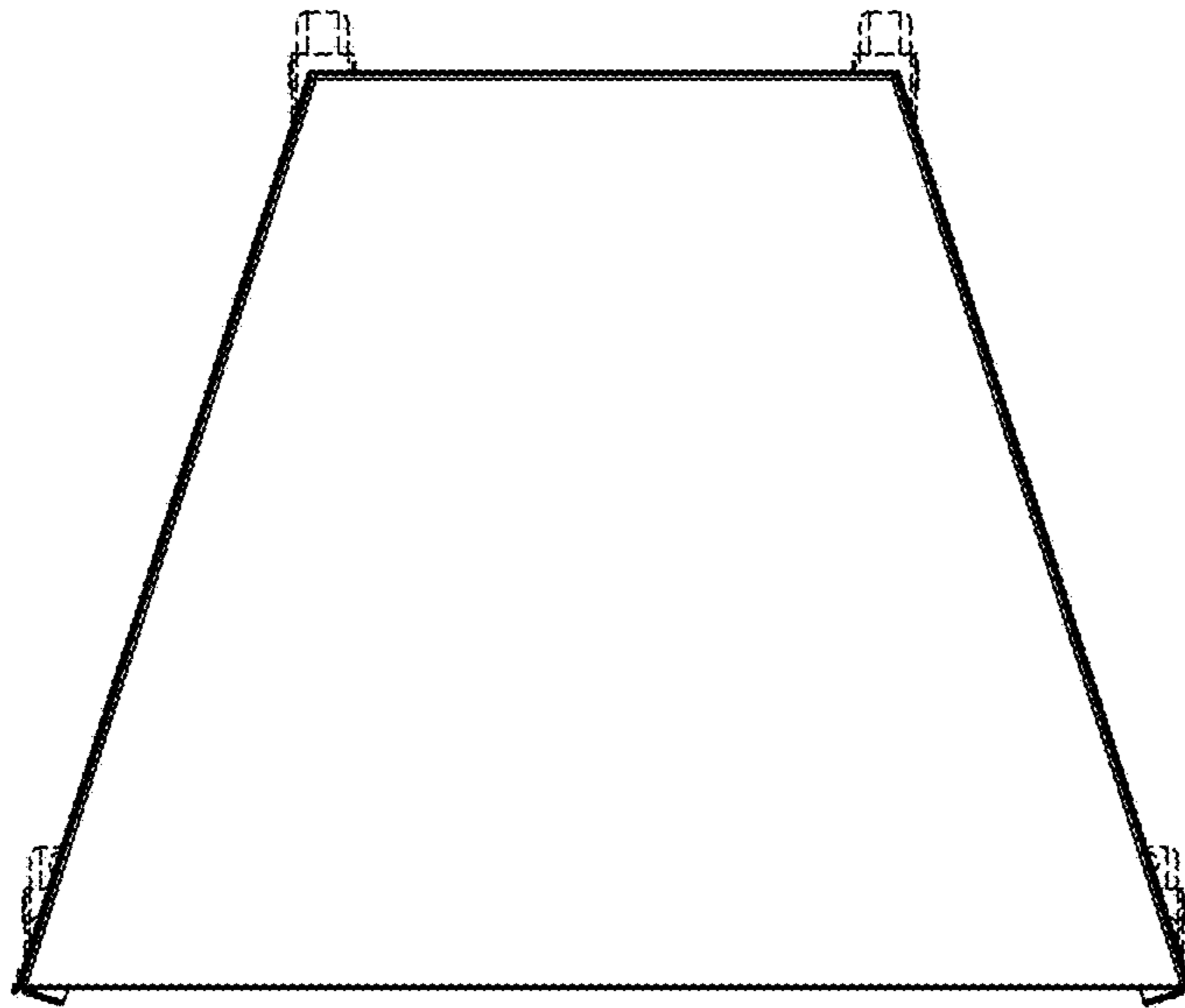


FIG. 5

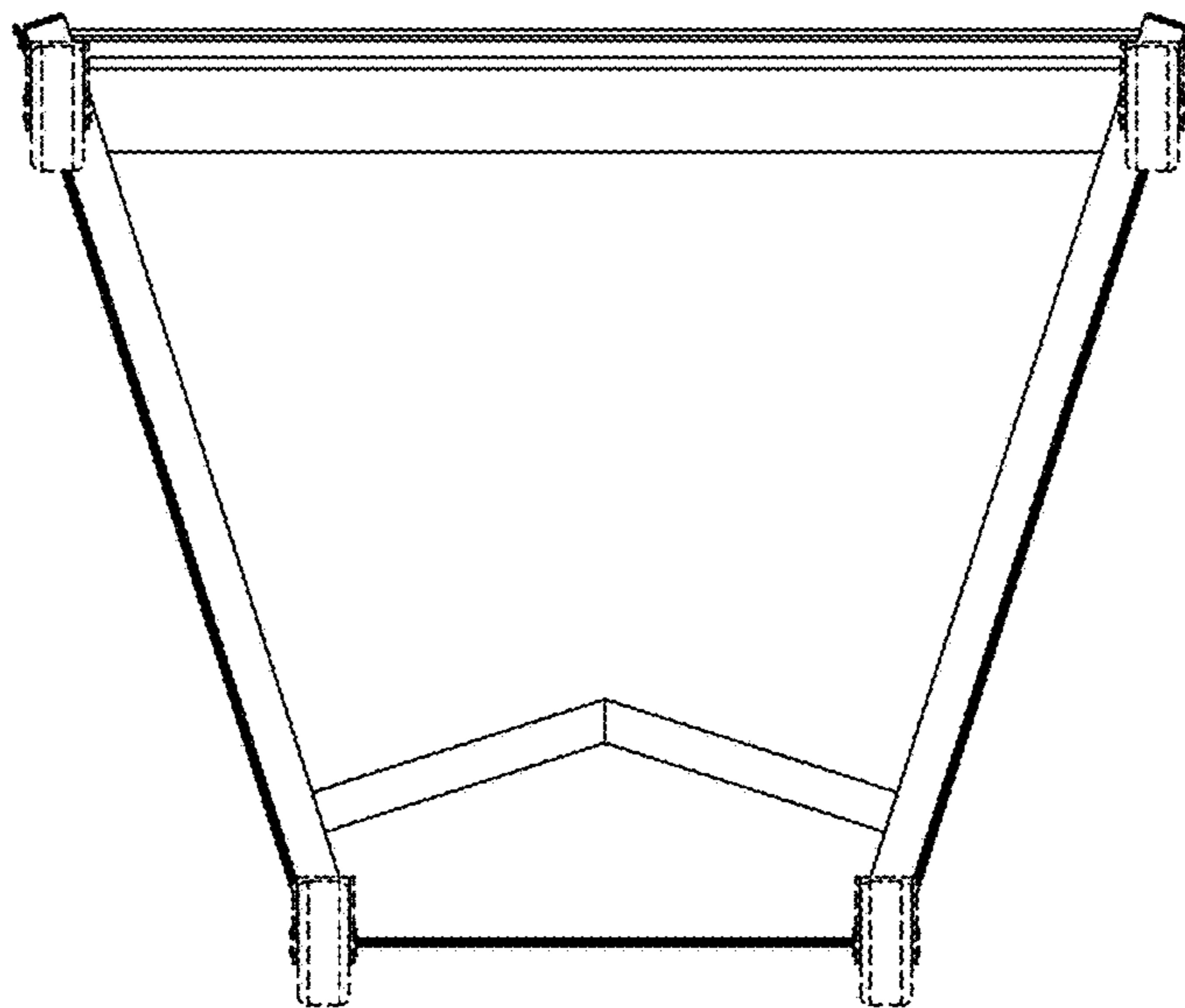


FIG. 6

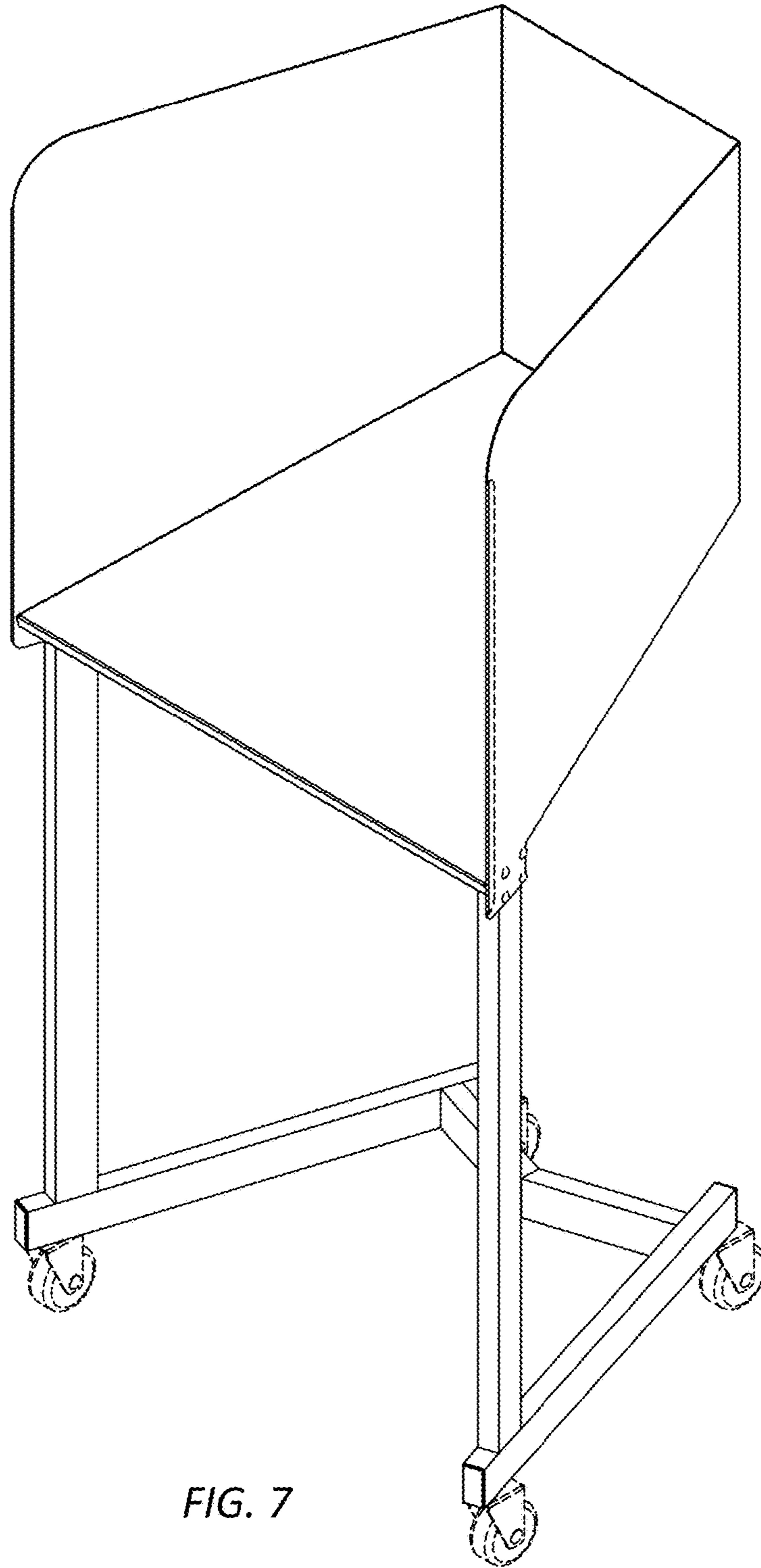


FIG. 7

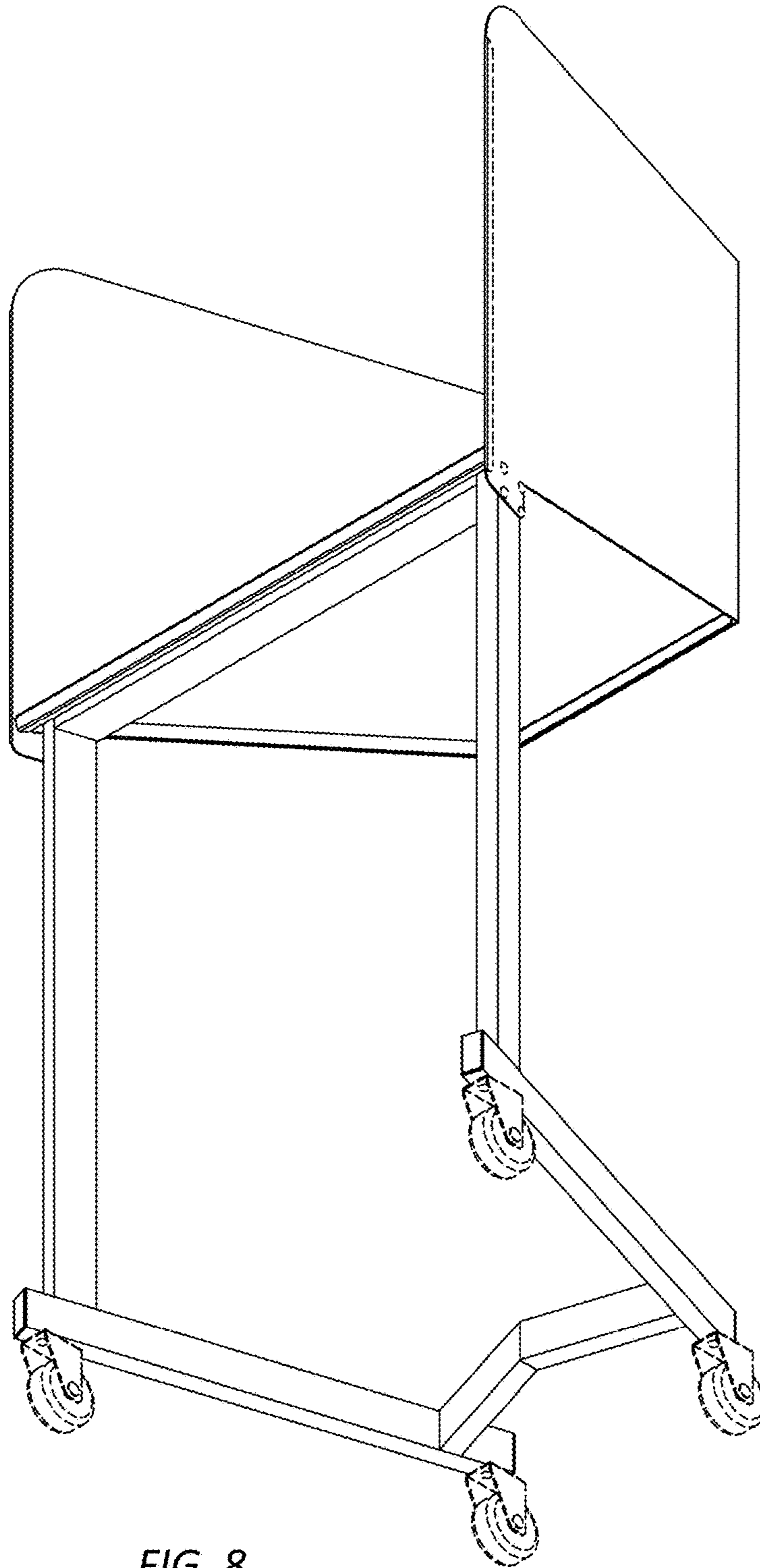


FIG. 8