

US00D854356S

(12) **United States Design Patent** (10) **Patent No.:** **US D854,356 S**
Dolfi (45) **Date of Patent:** **** Jul. 23, 2019**

(54) **GRILL COVER**

(71) Applicant: **Dennis Dolfi**, Broomfield, CO (US)

(72) Inventor: **Dennis Dolfi**, Broomfield, CO (US)

(73) Assignee: **The Allen Company, Inc.**, Broomfield, CO (US)

(**) Term: **15 Years**

(21) Appl. No.: **29/586,072**

(22) Filed: **Nov. 30, 2016**

(51) **LOC (11) Cl.** **06-13**

(52) **U.S. Cl.**
USPC **D6/610**

(58) **Field of Classification Search**
USPC D6/610-611
CPC A47J 36/06
See application file for complete search history.

(56) **References Cited**

U.S. PATENT DOCUMENTS

D417,362 S *	12/1999	Ting	D7/332
6,099,067 A	8/2000	Butterworth		
D461,994 S *	8/2002	Hung	D7/402
D466,752 S *	12/2002	Rowe	D6/610
6,536,489 B1 *	3/2003	Rowan	A47J 37/0786 150/154
D476,518 S *	7/2003	Doppelt	D6/610
6,863,100 B2 *	3/2005	Neal	A47J 37/0786 150/154
D526,843 S *	8/2006	Chung	D7/402
7,082,883 B1	8/2006	Arias		
D532,561 S *	11/2006	La Luzerne	D30/119
7,140,194 B1	11/2006	Miller		
D533,972 S *	12/2006	La Luzerne	D30/108
D549,032 S *	8/2007	Goudeau	D6/610
7,467,589 B2	12/2008	Arias		
D649,206 S *	11/2011	Kossman	D21/694

D712,202 S *	9/2014	Chung	D7/402
9,307,846 B1	4/2016	Jones et al.		
2002/0076521 A1 *	6/2002	Doppelt	A62C 8/06 428/102
2002/0179211 A1 *	12/2002	Neal	A47J 37/0786 150/154
2003/0196562 A1 *	10/2003	Trickett	A47J 37/0786 99/482
2008/0210214 A1 *	9/2008	Wade	A47J 36/06 126/25 R
2014/0326372 A1 *	11/2014	Simon	A47J 36/06 150/154

(Continued)

OTHER PUBLICATIONS

Classic Accessories Veranda Ceramic Grill Dome Cover, posted at amazon.com, posting date not given, [online], [site visited Feb. 7, 2018]. Available from Internet, URL: <https://www.amazon.com/Classic-Accessories-55-408-041501-00-Veranda-Ceramic/dp/B00VRMENJ4>.*

(Continued)

Primary Examiner — George D. Kirschbaum
Assistant Examiner — Maria J Edwards
(74) *Attorney, Agent, or Firm* — Boyd D. Cox

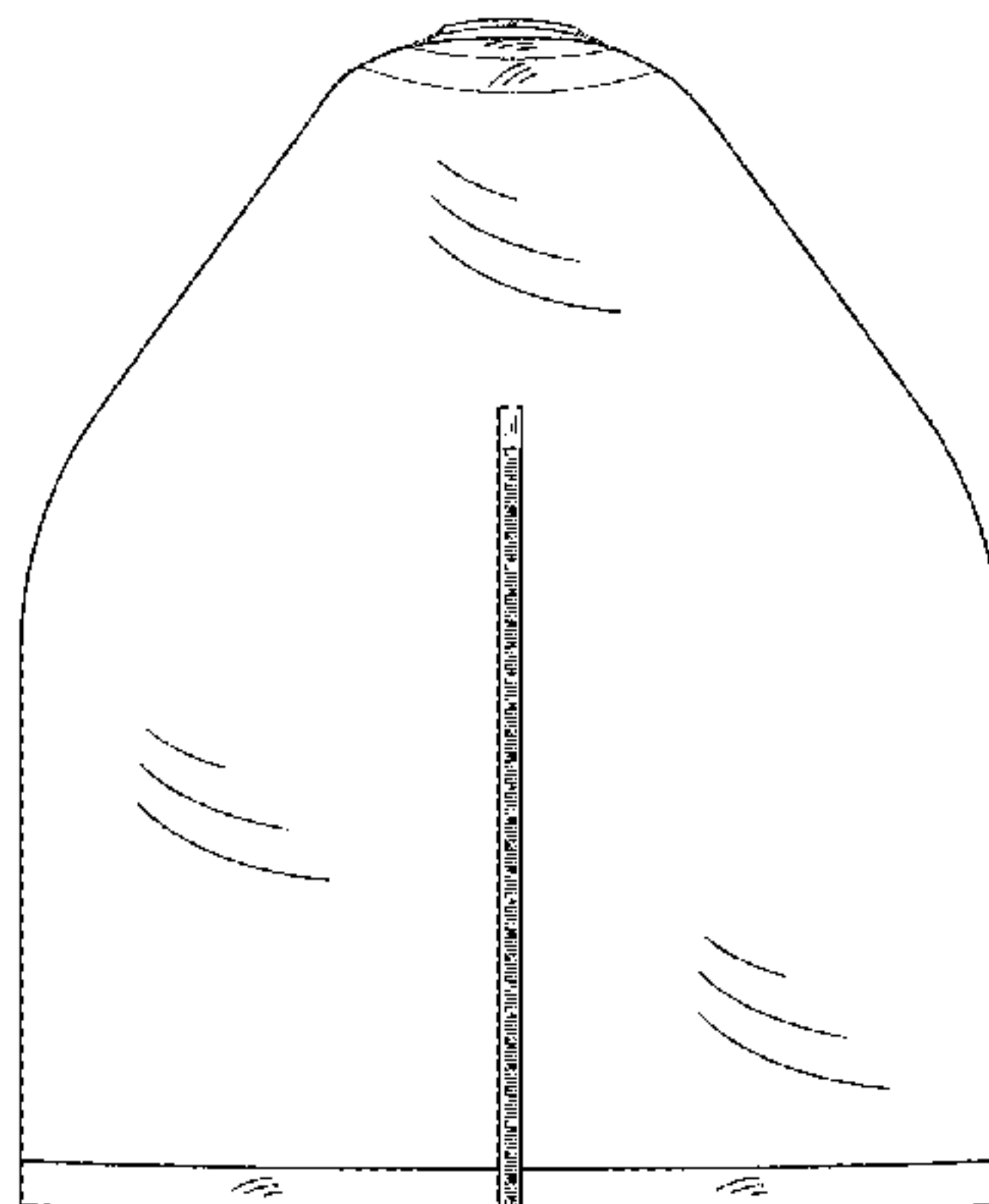
(57) **CLAIM**

The ornamental design for a grill cover, as shown.

DESCRIPTION

FIG. 1 is a front elevation of the grill cover of the present invention;
FIG. 2 is a rear elevation of the grill cover of FIG. 1;
FIG. 3 is a right side elevation of the grill cover of FIG. 1;
FIG. 4 is a left side elevation of the grill cover of FIG. 1;
FIG. 5 is a top plan view of the grill cover of FIG. 1; and,
FIG. 6 is a bottom plan view of the grill cover of FIG. 1.

1 Claim, 6 Drawing Sheets



(56)

References Cited

U.S. PATENT DOCUMENTS

2015/0075684 A1* 3/2015 Simon A47J 37/0786
150/165
2017/0027366 A1* 2/2017 Wilson A47J 27/13
2017/0251873 A1* 9/2017 Li A47J 37/0629

OTHER PUBLICATIONS

CoverMates Kamado Dome Grill Cover, posted at amazon.com, posting date not given, [online], [site visited Feb. 7, 2018]. Available from Internet, URL: <https://www.amazon.com/CoverMates-DIAMETER-Collection-Warranty-Protection/dp/B00TKNC3NA>.
Crown Verity BC-36-V BBQ Cover with Roll Dome, posted at visiongrills.com, posting date not given, [online], [site visited Feb. 7, 2018]. Available from Internet, URL: <https://www.visiongrills.com/product/full-length-cover/>.*

Hearth & Garden kettle grill cover, posted at amazon.com, posting date not given, [online], [site visited Feb. 7, 2018]. Available from Internet, URL: <https://www.amazon.com/Hearth-Garden-SF40235-29-Inch-Kettle/dp/B007PZB9GC/>.*

Rosle Grill Cover, posted at rosleusa.com, posting date not given, [online], [site visited Feb. 7, 2018]. Available from Internet, URL: <http://www.rosleusa.com/Grill-Cover-24--plu25021.html>.*

Unicook Heavy Duty Waterproof Dome Smoker Cover, posted at amazon.com, posting date not given, [online], [site visited Feb. 7, 2018]. Available from Internet, URL: <https://www.amazon.com/Unicook-Waterproof-Smoker-Kettle-Char-Broil/dp/B01F8V2VIE>.*

Vision grills full length cover, posted at visiongrills.com, posting date not given, [online], [site visited Feb. 7, 2018]. Available from Internet, URL: <https://www.visiongrills.com/product/full-length-cover/>.*

* cited by examiner

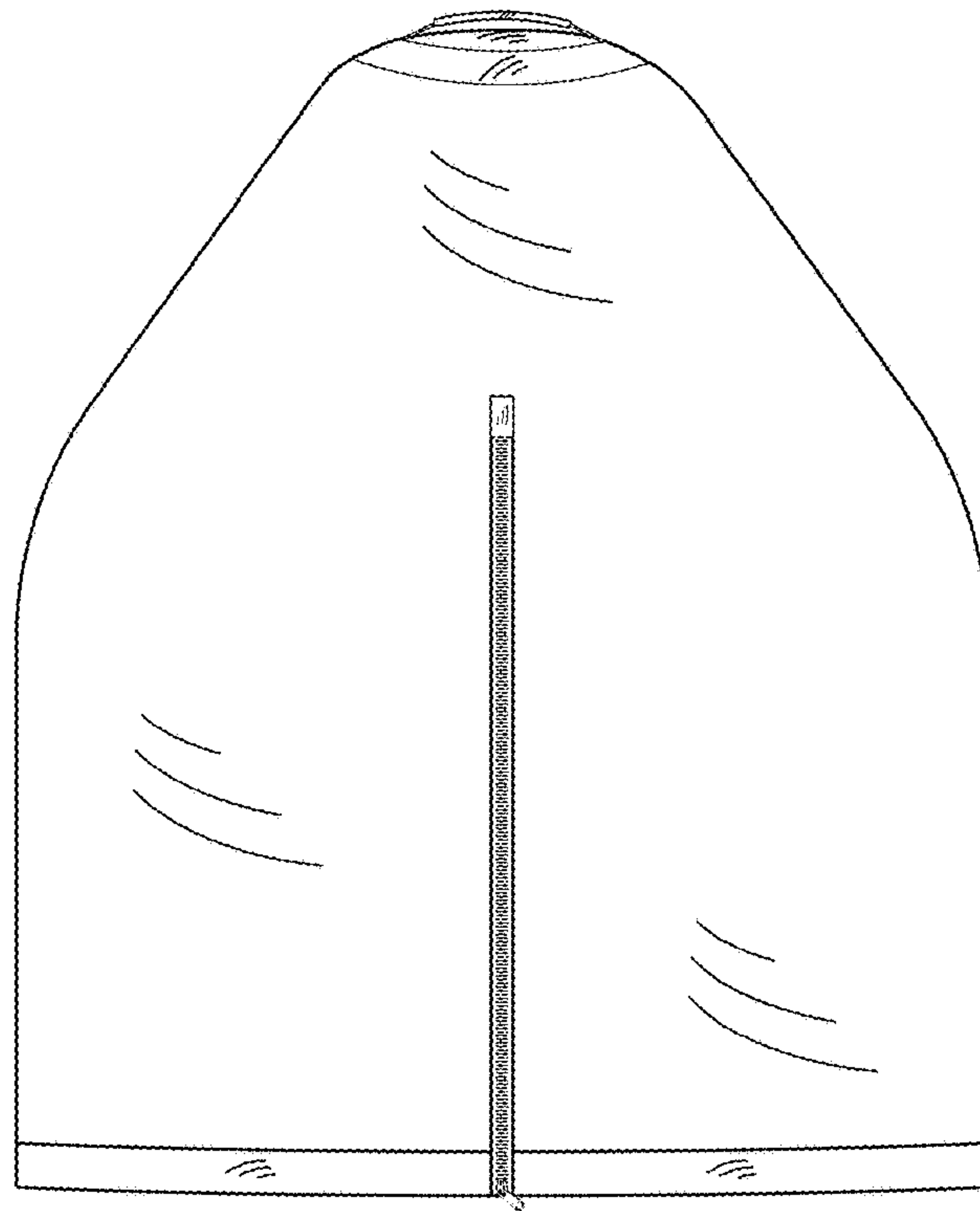


FIG.1

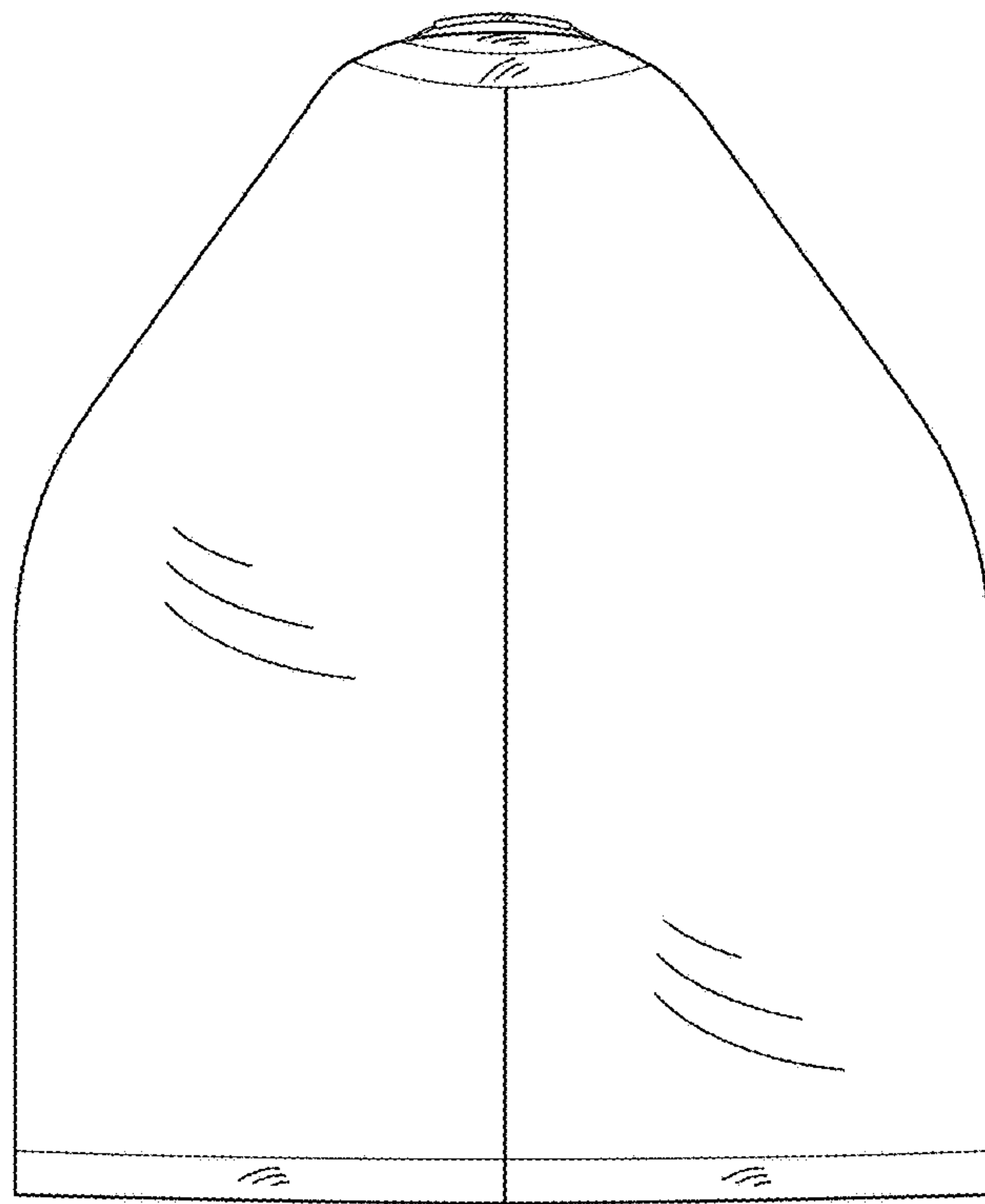


FIG. 2

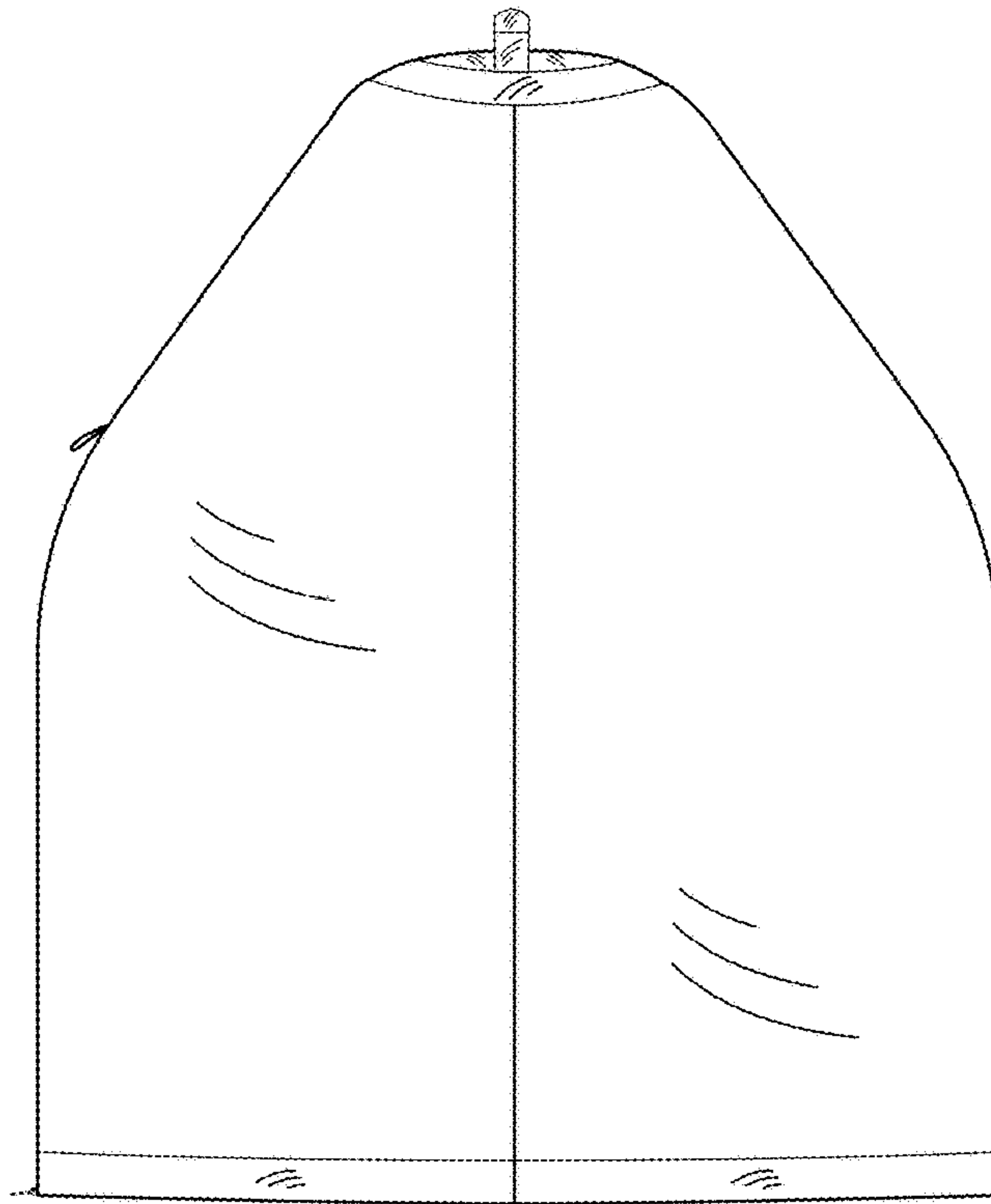


FIG. 3

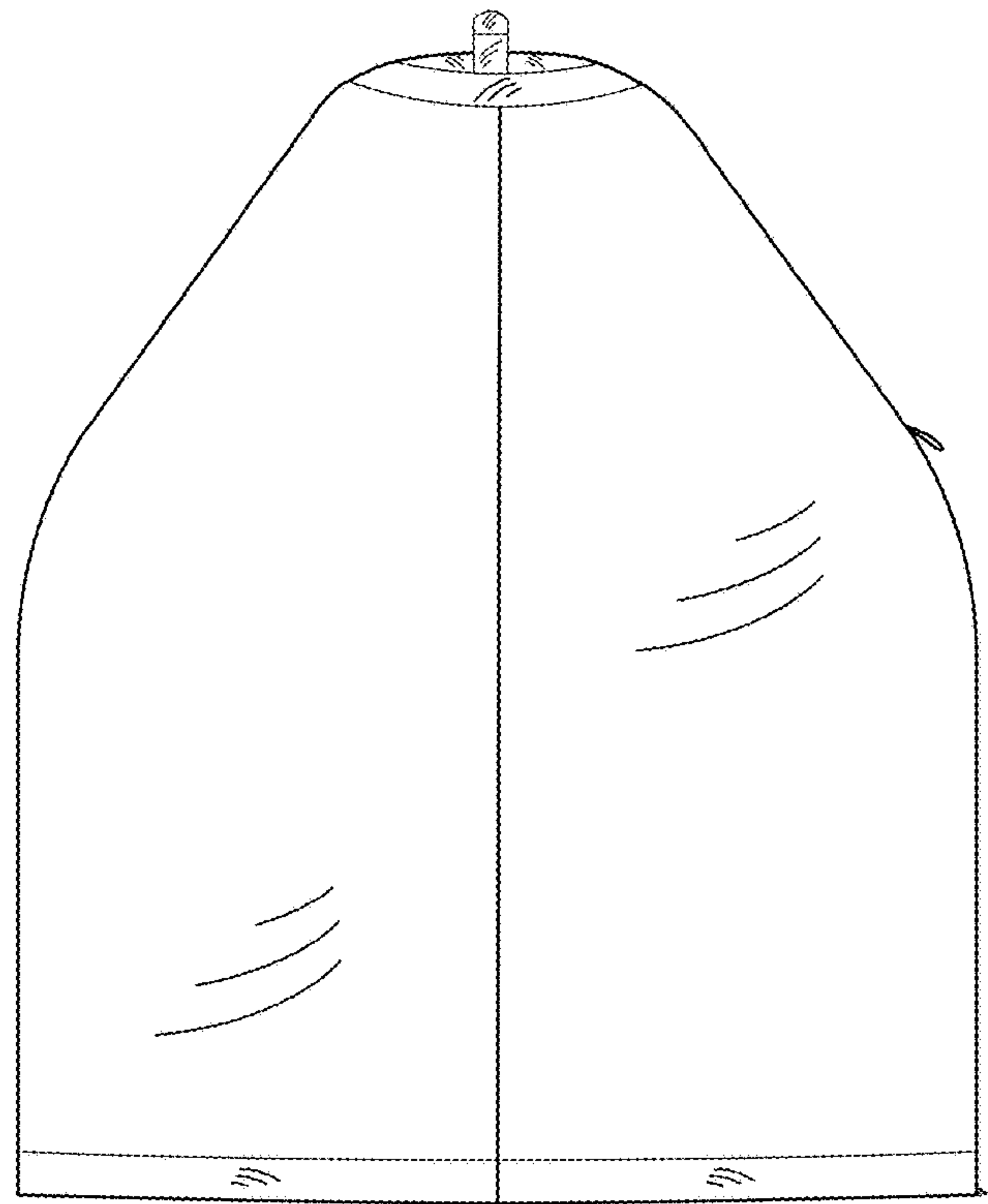


FIG. 4

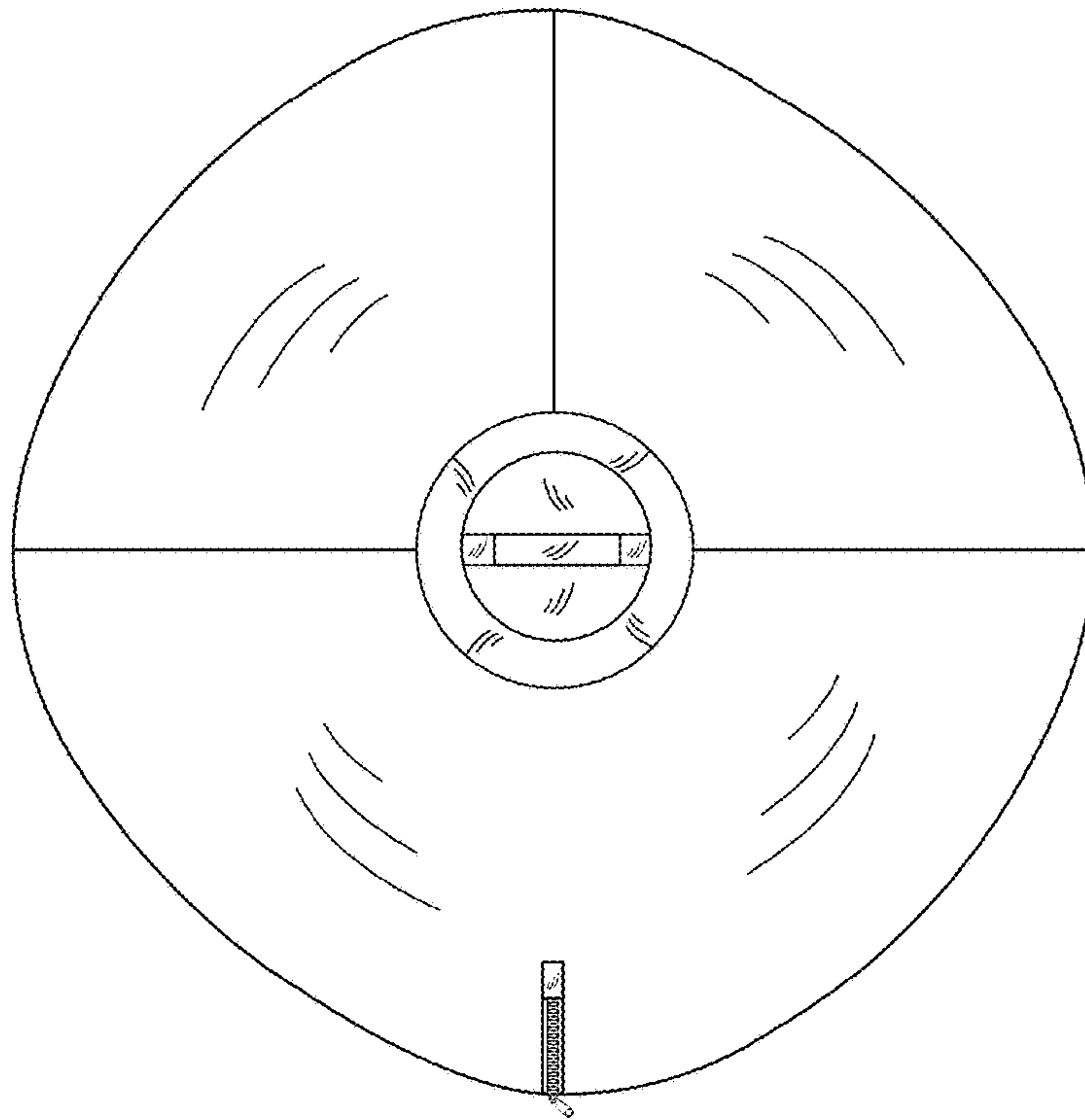


FIG. 5

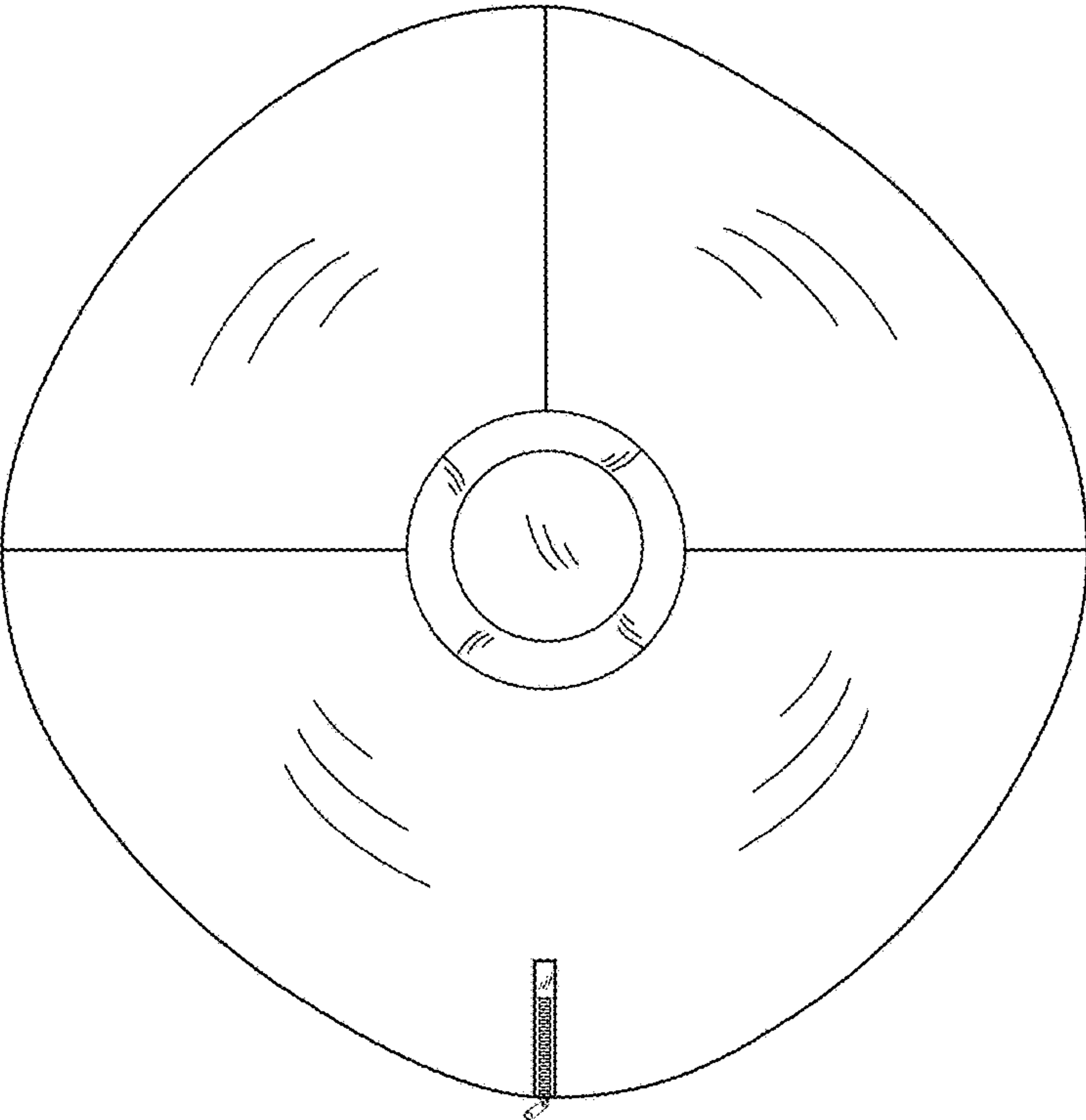


FIG. 6