



US00D854352S

(12) **United States Design Patent**  
**Thacker**

(10) **Patent No.:** **US D854,352 S**

(45) **Date of Patent:** **\*\* Jul. 23, 2019**

(54) **YOGA MAT**

(71) Applicant: **Paloma Thacker**, Prospect, KY (US)

(72) Inventor: **Paloma Thacker**, Prospect, KY (US)

(\*\*) Term: **15 Years**

(21) Appl. No.: **29/622,939**

(22) Filed: **Oct. 20, 2017**

(51) **LOC (11) Cl.** ..... **06-11**

(52) **U.S. Cl.**  
USPC ..... **D6/582**

(58) **Field of Classification Search**  
USPC ..... D6/331, 333, 582-588, 591, 592, 596,  
D6/601, 608; D7/551.1; D19/10;  
D21/334, 792; D24/212; D30/129, 161  
CPC ..... A47D 15/003; A47G 27/00; A47G 27/02;  
A47G 27/0206; A47G 27/0212; A47G  
27/0218; A47G 27/0225; A47G 27/0231;  
A47G 27/0237; A47G 27/0275; A47G  
27/0293; A47G 9/062; A47K 3/002;  
A63B 6/00; A63H 33/006  
See application file for complete search history.

(56) **References Cited**

**U.S. PATENT DOCUMENTS**

D267,385 S	*	12/1982	Burt	.....	D21/355
D411,400 S	*	6/1999	Yancey, Jr.	.....	D21/307
D457,373 S	*	5/2002	Prinzmetal	.....	D6/582
D506,097 S	*	6/2005	Davis	.....	D6/582
D508,971 S	*	8/2005	Park	.....	D21/792
D509,873 S	*	9/2005	Dias	.....	D21/792
D513,914 S	*	1/2006	Crabolu	.....	D6/582
D535,345 S	*	1/2007	Davis	.....	D21/792
D591,995 S	*	5/2009	Burton	.....	D21/698
D699,481 S	*	2/2014	Doherty	.....	A63B 21/4037
					D6/582
D699,979 S	*	2/2014	Tamayo	.....	D6/582
D707,057 S	*	6/2014	Hasta	.....	D6/582
D716,892 S	*	11/2014	Schlosser	.....	D21/792

D733,461 S	*	7/2015	Diaz	.....	D6/592
D734,063 S	*	7/2015	Evert	.....	D6/588
D791,501 S	*	7/2017	Nguyen	.....	A63B 23/0244
					D21/686
D793,766 S	*	8/2017	Weng	.....	A63B 6/00
					D6/582
D805,811 S	*	12/2017	Armitage	.....	A63B 6/00
					D6/582
D807,077 S	*	1/2018	Springer	.....	A61H 37/00
					D6/582

(Continued)

*Primary Examiner* — Kevin K Rudzinski

*Assistant Examiner* — Clare Ann Gannon

(74) *Attorney, Agent, or Firm* — James R. Hayne; Stites & Harbison PLLC

(57) **CLAIM**

The ornamental design for a yoga mat, as shown and described.

**DESCRIPTION**

FIG. 1 is a top, front, and right side perspective view of a yoga mat showing the first embodiment of the design.

FIG. 2 is a front elevational view thereof.

FIG. 3 is a rear elevational view thereof.

FIG. 4 is a right side view thereof.

FIG. 5 is a left side view thereof.

FIG. 6 is a top plan view thereof.

FIG. 7 is a bottom plan thereof.

FIG. 8 is a top, front, and right side perspective view of a yoga mat showing another embodiment of the design.

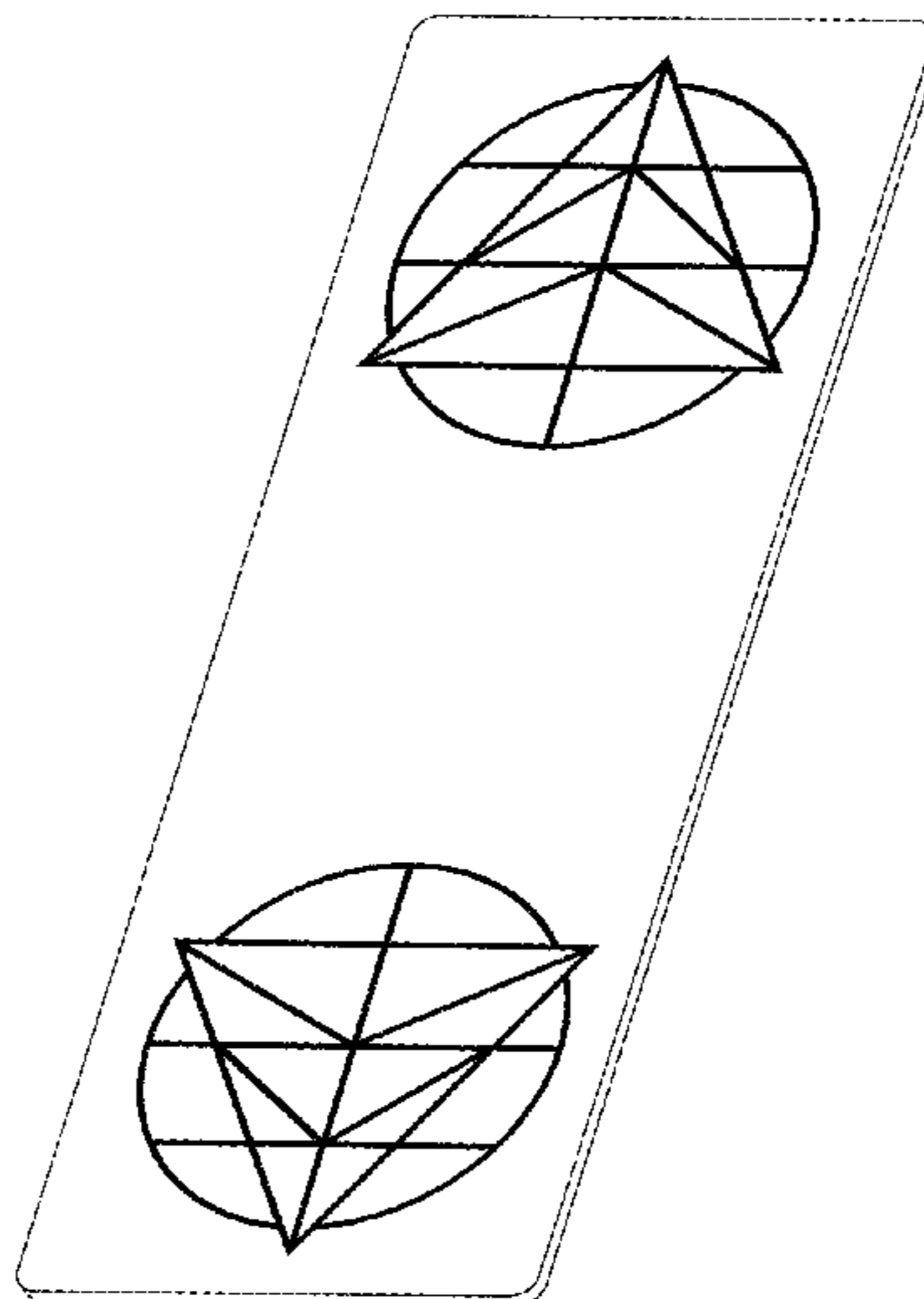
FIG. 9 is a front elevational view thereof.

FIG. 10 is an enlarged detail view thereof, showing the area labeled 10 in FIG. 8; and,

FIG. 11 is an enlarged detail view thereof, showing the area labeled 11 in FIG. 9.

The broken lines in the figures represent the boundaries of the details and form no part of the claimed design.

**1 Claim, 6 Drawing Sheets**



(56)

**References Cited**

U.S. PATENT DOCUMENTS

2001/0034288 A1\* 10/2001 Howlett-Campanella .....  
A63B 21/4037  
482/23  
2003/0017915 A1\* 1/2003 Prinzmetal ..... A63B 6/00  
482/23  
2007/0088232 A1\* 4/2007 Corradini ..... A61H 37/00  
601/28  
2009/0110867 A1\* 4/2009 Feng Shen ..... A63B 6/00  
428/71  
2009/0181836 A1\* 7/2009 Schneider ..... A63B 6/00  
482/140  
2009/0191528 A1\* 7/2009 Davey ..... A63B 23/0244  
434/258  
2014/0259398 A1\* 9/2014 Kendall ..... A47G 27/0237  
5/420  
2014/0329044 A1\* 11/2014 Fantin ..... A63B 6/00  
428/71  
2016/0332023 A1\* 11/2016 Taylor ..... A63B 21/4037

\* cited by examiner

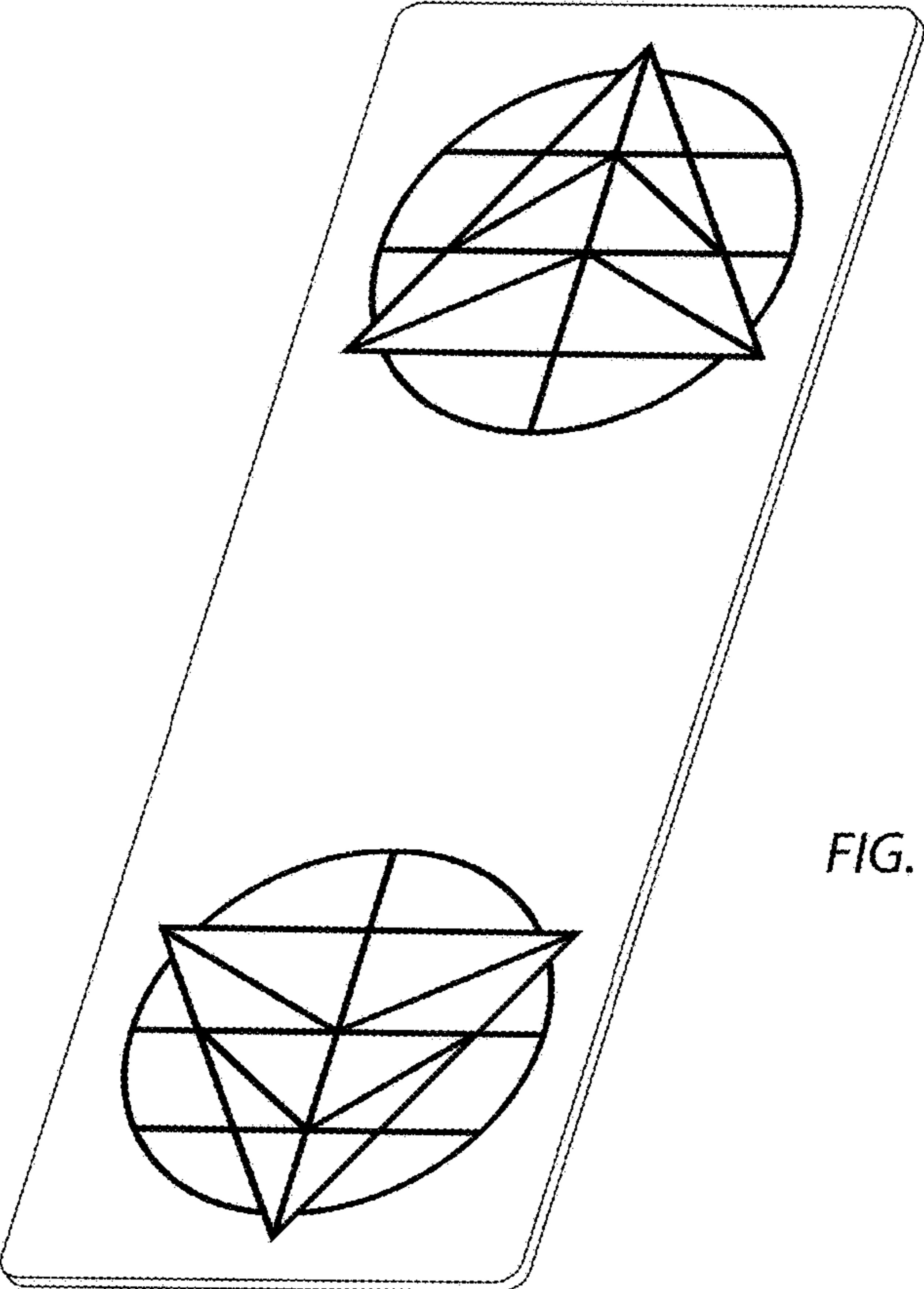


FIG. 1

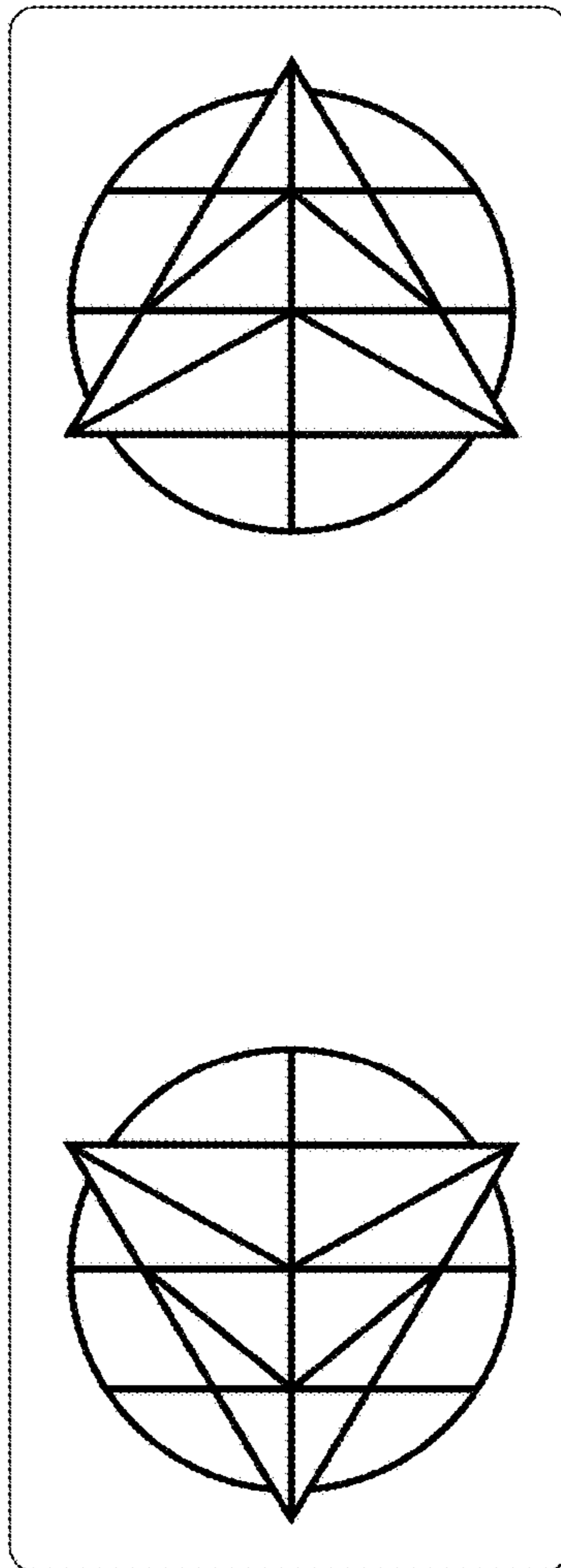


FIG. 2

FIG. 6

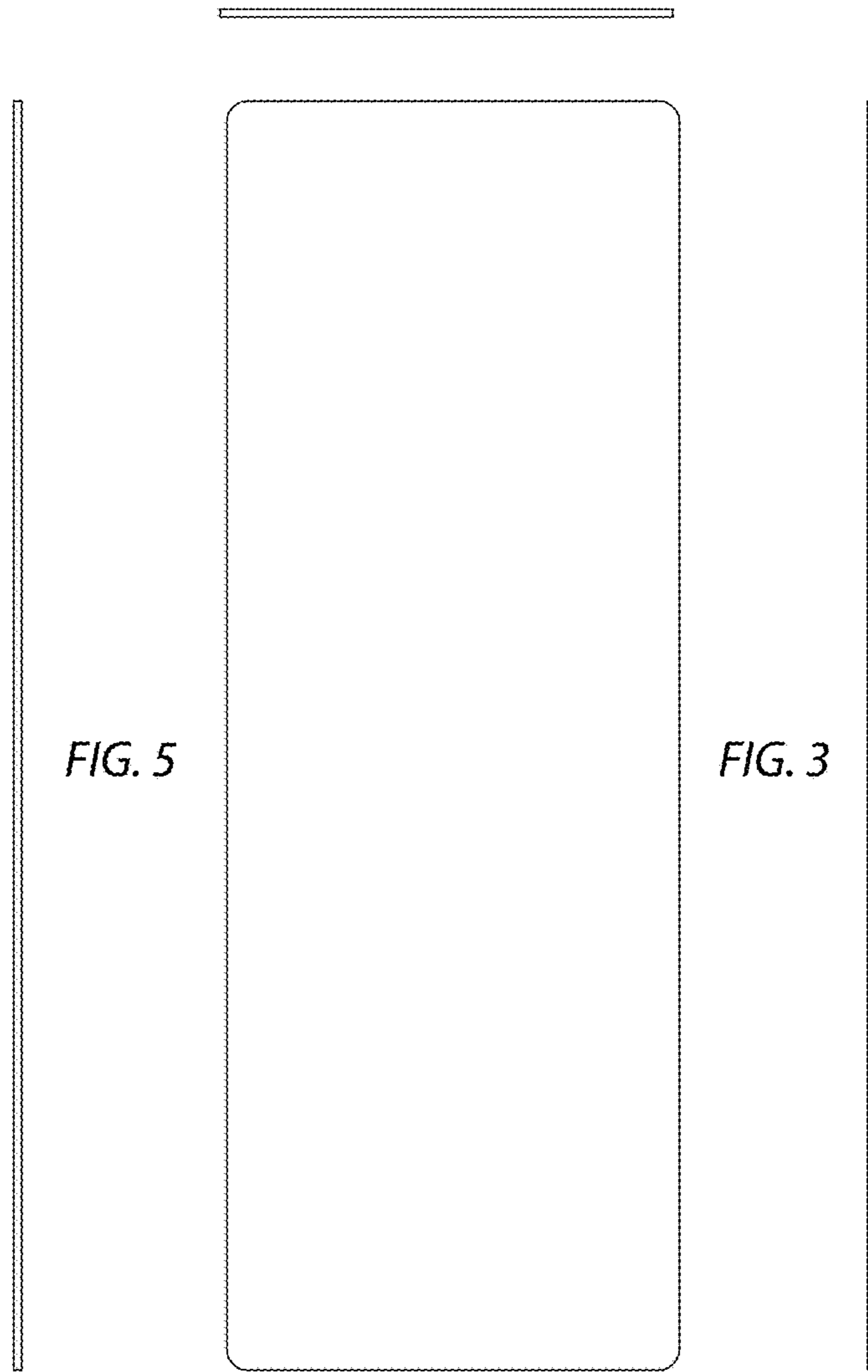


FIG. 5

FIG. 3

FIG. 4

FIG. 7

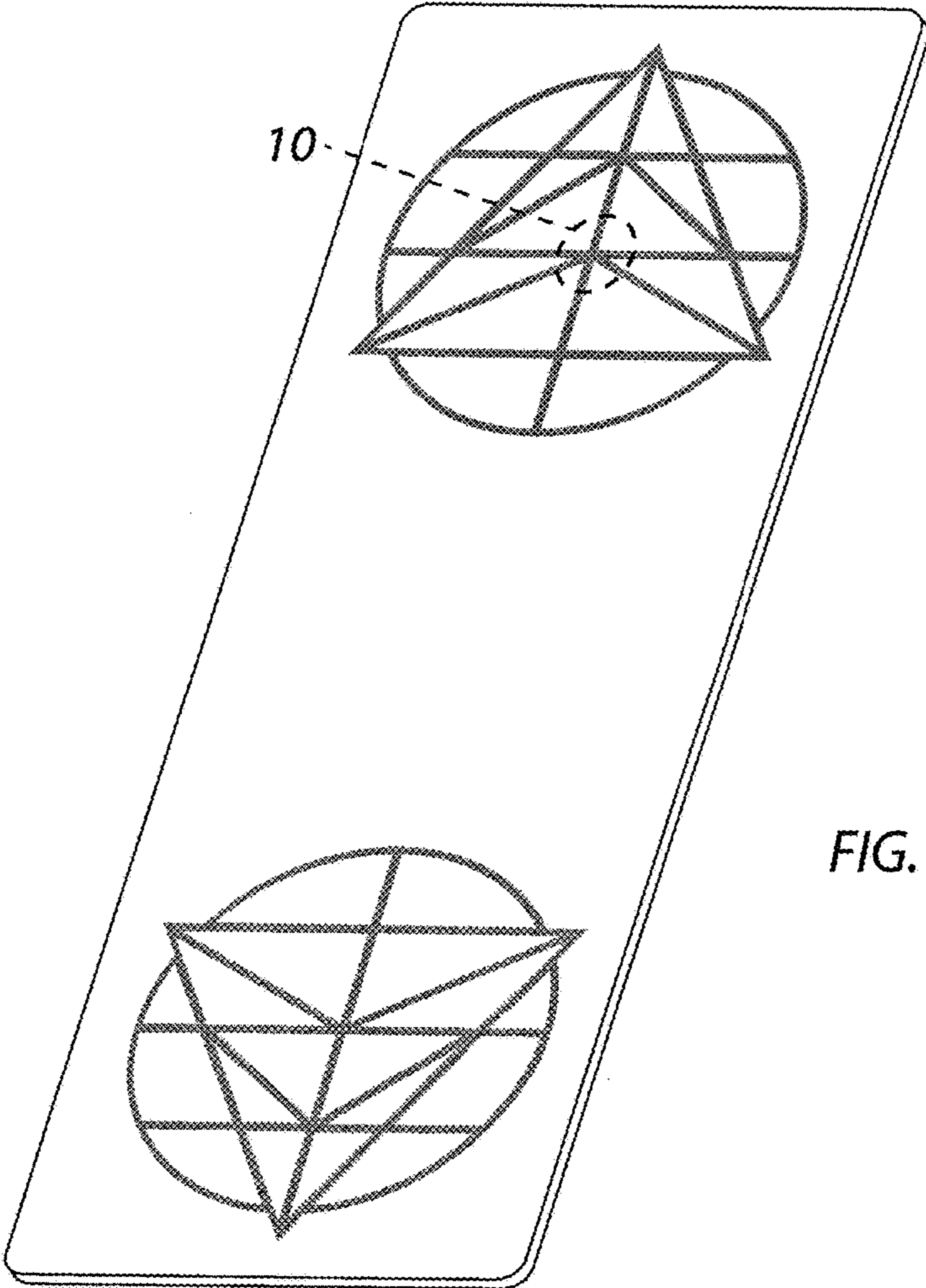


FIG. 8

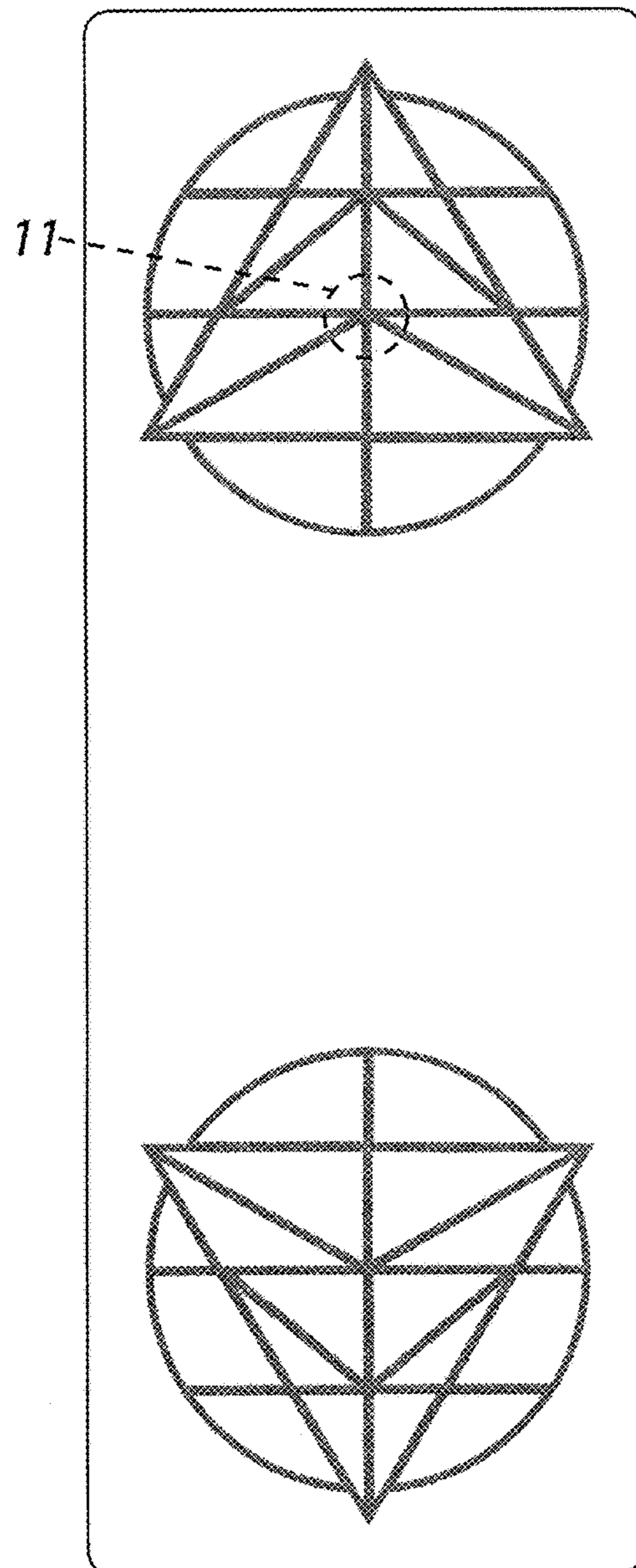


FIG. 9

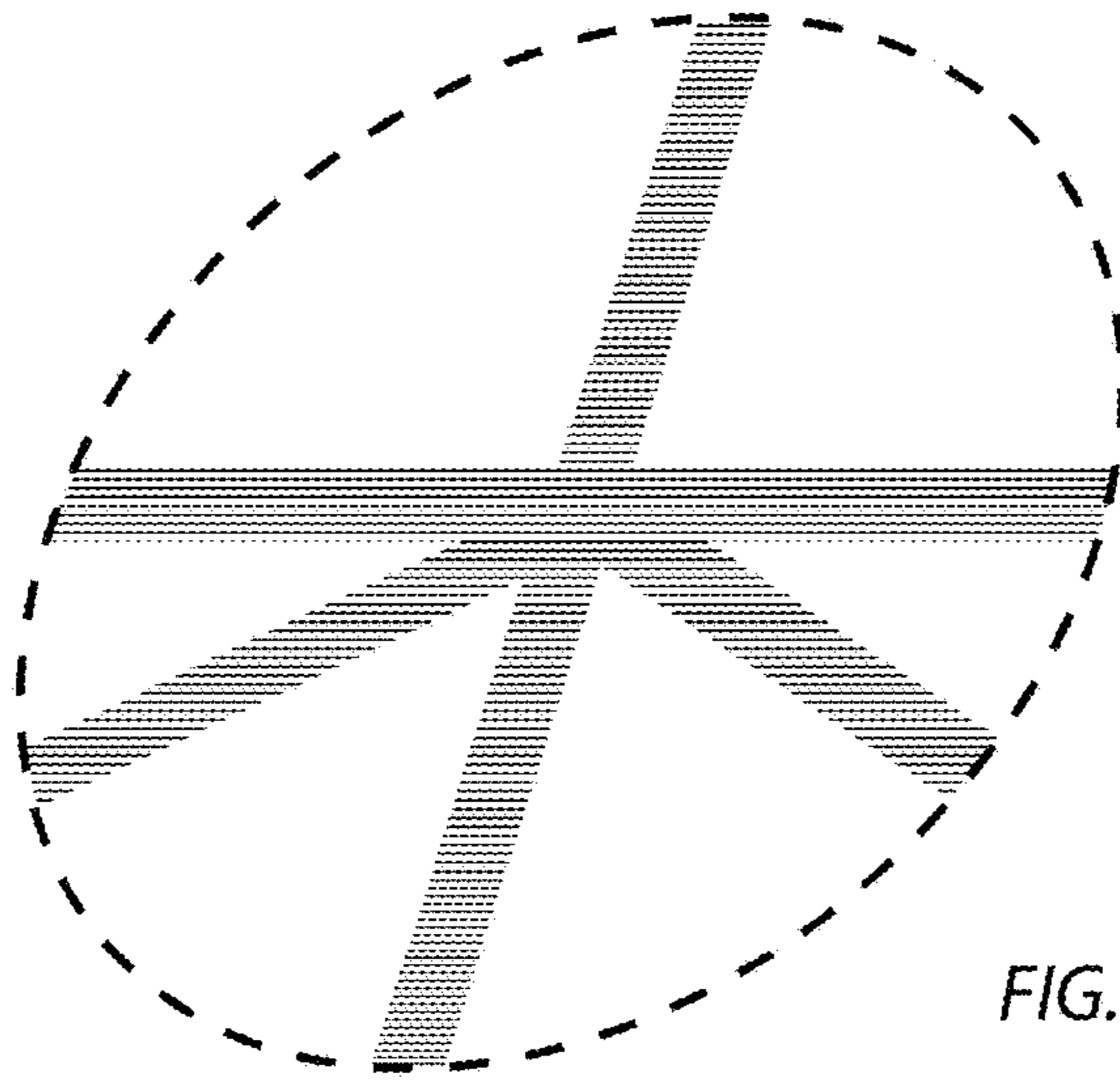


FIG. 10

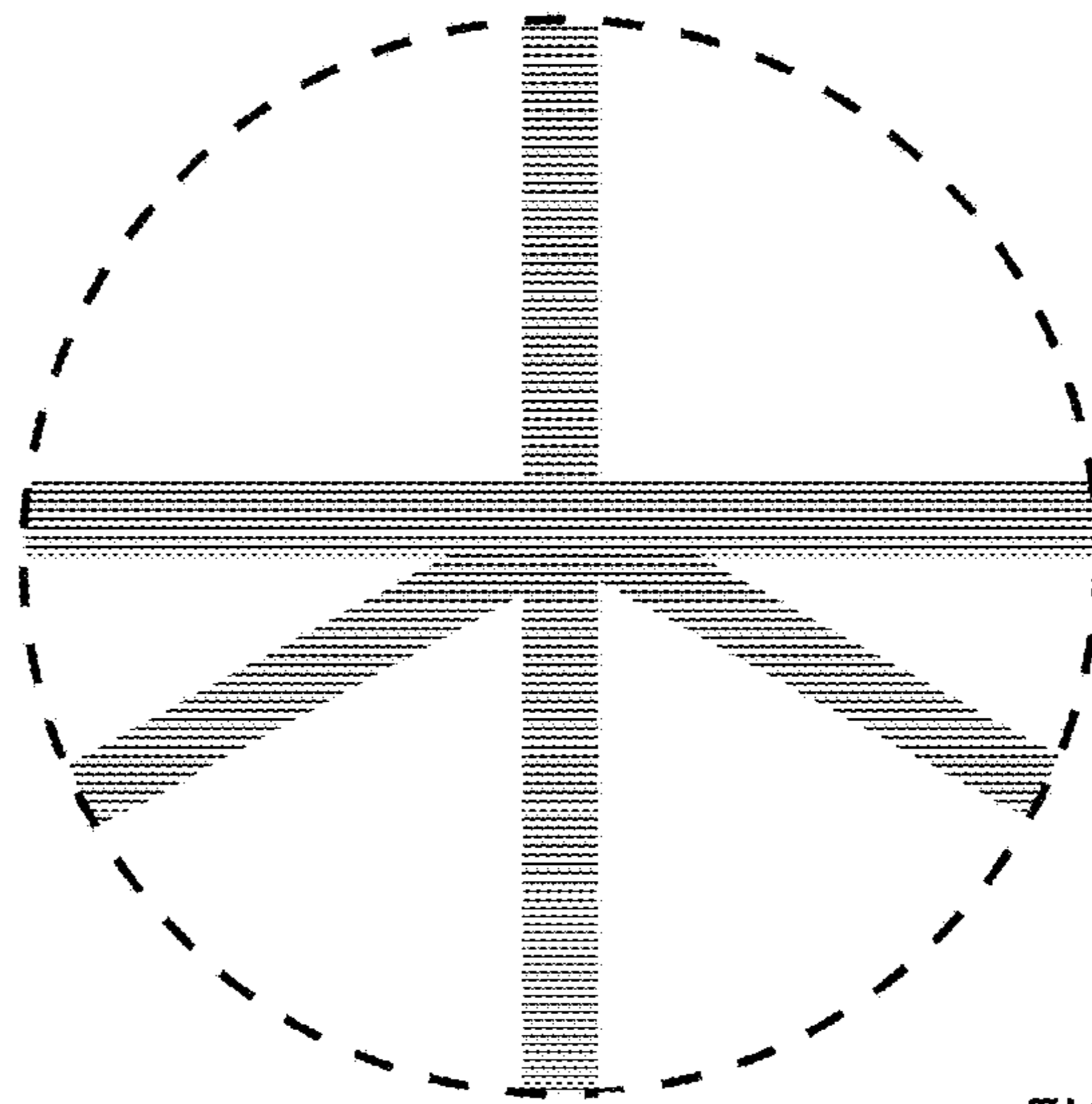


FIG. 11