

US00D854351S

(12) **United States Design Patent** (10) **Patent No.:** **US D854,351 S**  
**Wisecup et al.** (45) **Date of Patent:** **\*\* Jul. 23, 2019**

(54) **SAMPLE DECK FOR SELECTING A COVERING FOR AN ARCHITECTURAL OPENING**

E06B 3/30; B31D 3/02; B31D 3/0207; B31D 3/0215

See application file for complete search history.

(71) Applicant: **Hunter Douglas Inc.**, Pearl River, NY (US)

(72) Inventors: **Sheryl Wisecup**, Niwot, CO (US); **Linnea Wolken**, Broomfield, CO (US)

(73) Assignee: **Hunter Douglas Inc.**, Pearl River, NY (US)

(\*\*) Term: **15 Years**

(21) Appl. No.: **29/602,898**

(22) Filed: **May 4, 2017**

**Related U.S. Application Data**

(62) Division of application No. 29/511,313, filed on Dec. 9, 2014, now Pat. No. Des. 789,116.

(51) **LOC (11) Cl.** ..... **06-10**

(52) **U.S. Cl.**  
USPC ..... **D6/580**

(58) **Field of Classification Search**  
USPC ..... D6/575-581; D8/330, 336, 339, 342, D8/343, 349, 355, 373, 376, 377; D20/10, 19, 21, 40, 42, 43, 44, 99  
CPC . G09B 25/00; G09F 5/04; A47F 7/163; A47F 7/0014; A47F 1/12; A47F 3/02; A47H 2023/025; A47H 2001/0205; A47H 23/00; A47H 23/02; A47H 23/04; A47H 1/00; A47H 1/02; A47H 21/00; E06B 9/00; E06B 9/02; E06B 9/24; E06B 9/262;

(56) **References Cited**

U.S. PATENT DOCUMENTS

4,677,012 A \* 6/1987 Anderson ..... E06B 9/262 428/116  
D390,871 S \* 2/1998 Whitney ..... D6/309  
D391,989 S \* 3/1998 Plutsky ..... D19/33  
5,974,763 A \* 11/1999 Colson ..... E06B 9/262 160/84.05  
6,019,864 A \* 2/2000 Jones ..... E06B 9/262 156/182  
6,257,301 B1 \* 7/2001 Conforti ..... E06B 9/26 160/84.01  
6,691,872 B1 \* 2/2004 Berman ..... G09F 5/04 206/484  
D663,147 S \* 7/2012 Cheng ..... D6/575  
D734,061 S \* 7/2015 Colson ..... D6/580

(Continued)

*Primary Examiner* — Cynthia Ramirez

*Assistant Examiner* — L. Martinez

(74) *Attorney, Agent, or Firm* — Leason Ellis LLP

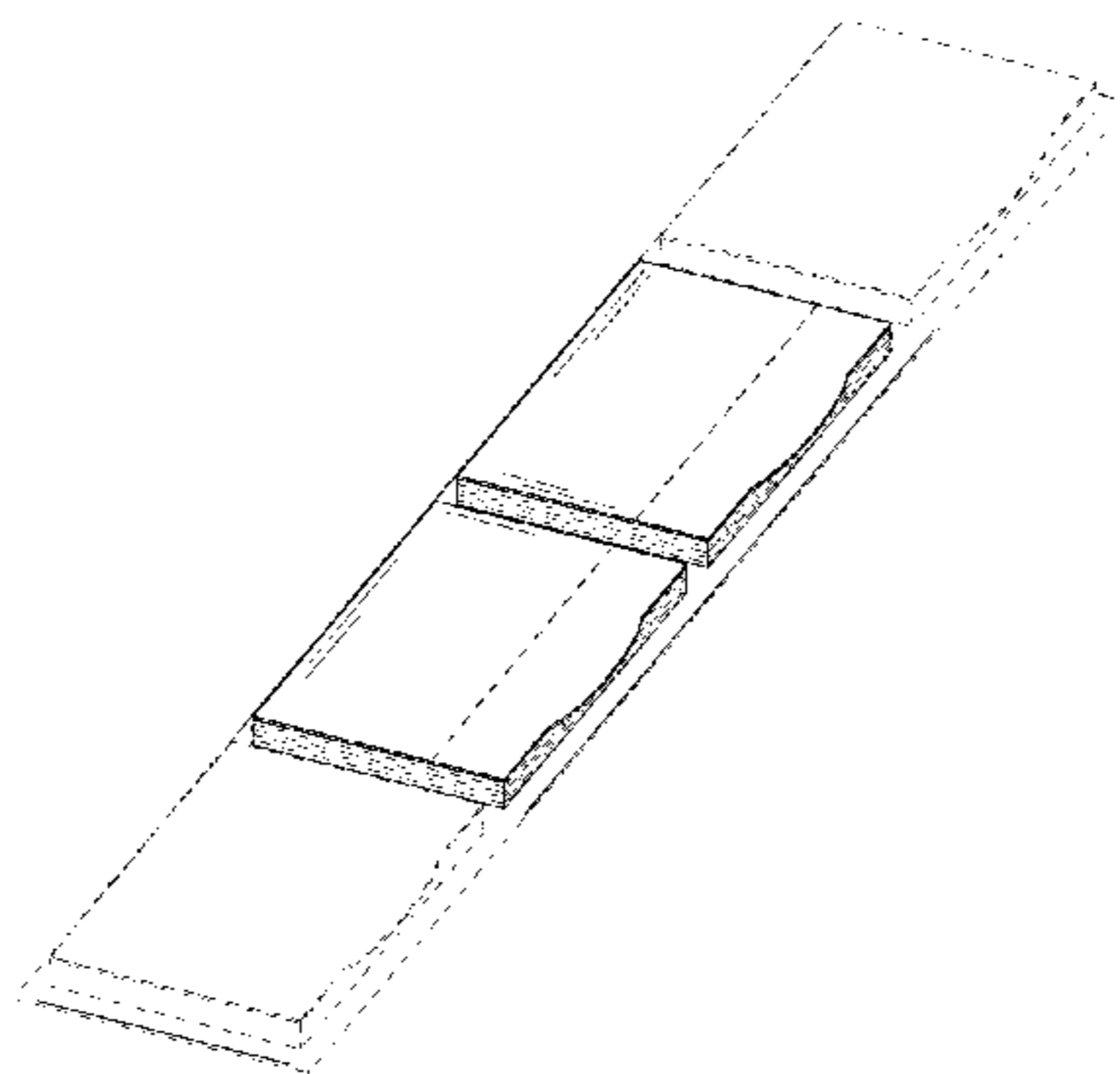
(57) **CLAIM**

We claim the ornamental design for a sample deck for selecting a covering for an architectural opening, as shown and described.

**DESCRIPTION**

FIG. 1 is a front isometric view of a sample deck for selecting a covering for an architectural opening.  
FIG. 2 is a rear isometric view thereof.  
FIG. 3 is a front elevation view thereof.  
FIG. 4 is a rear elevation view thereof.  
FIG. 5 is a bottom plan view thereof, the top plan view being a mirror image thereof.  
FIG. 6 is a left side elevation view thereof, the right side elevation view being a mirror image thereof; and,  
FIG. 7 is a cross-sectional view thereof taken along line 7-7 in FIG. 3.

(Continued)



The broken lines illustrate portions of a sample deck for selecting a covering for an architectural opening that form no part of the claimed design.

**1 Claim, 3 Drawing Sheets**

(56)

**References Cited**

U.S. PATENT DOCUMENTS

9,357,868	B2 *	6/2016	Anderson	.....	E06B 9/262
D764,836	S *	8/2016	Rupel	.....	D6/575
9,462,908	B2 *	10/2016	Haen	.....	E06B 9/262
9,528,318	B2 *	12/2016	Huang	.....	E06B 9/262
D789,116	S *	6/2017	Wisecup	.....	D6/580
D815,858	S *	4/2018	Colson	.....	D6/580
2002/0043346	A1 *	4/2002	Zorbas	.....	E06B 9/262
					160/84.05
2004/0065417	A1 *	4/2004	Vanpoelvoorde	.....	E06B 9/388
					160/84.05
2004/0099626	A1 *	5/2004	Belt	.....	G09F 5/04
					211/113
2006/0048904	A1 *	3/2006	Gruner	.....	E06B 9/262
					160/84.05
2006/0257609	A1 *	11/2006	Winter	.....	G09F 5/04
					428/40.1
2007/0029052	A1 *	2/2007	Nien	.....	E06B 9/262
					160/84.05
2007/0234599	A1 *	10/2007	Davis	.....	G09F 5/04
					40/27.5
2008/0092457	A1 *	4/2008	Malone	.....	G09F 5/04
					52/105
2008/0113318	A1 *	5/2008	Veltri	.....	G09F 5/04
					434/95
2008/0251216	A1 *	10/2008	Hsu	.....	E06B 9/262
					160/84.01
2009/0025888	A1 *	1/2009	Brace	.....	E06B 9/262
					160/84.05
2009/0283222	A1 *	11/2009	Wang	.....	E06B 9/262
					160/84.01
2010/0288446	A1 *	11/2010	Foley	.....	E06B 9/262
					160/84.04
2010/0300630	A1 *	12/2010	Su	.....	E06B 9/262
					160/84.05

2012/0018108	A1 *	1/2012	Lin	.....	E06B 9/262
					160/340
2012/0148766	A1 *	6/2012	Massol	.....	A63H 33/38
					428/13
2012/0175070	A1 *	7/2012	Rupel	.....	E06B 9/262
					160/84.05
2012/0189797	A1 *	7/2012	Moriba	.....	G09F 5/04
					428/42.1
2013/0133840	A1 *	5/2013	Malkan	.....	E06B 9/262
					160/84.05
2013/0228295	A1 *	9/2013	Chen	.....	E06B 9/262
					160/368.1
2013/0340303	A1 *	12/2013	Lamendella	.....	G09F 5/04
					40/1
2014/0168779	A1 *	6/2014	Malkan	.....	E06B 9/262
					359/614
2014/0216663	A1 *	8/2014	Lin	.....	E06B 9/262
					160/84.01
2014/0216666	A1 *	8/2014	Smith	.....	E06B 9/262
					160/84.04
2014/0262079	A1 *	9/2014	Filko	.....	E06B 9/262
					160/311
2015/0014260	A1 *	1/2015	Lynch	.....	A47F 7/163
					211/45
2015/0197984	A1 *	7/2015	Anderson	.....	E06B 9/322
					160/298
2015/0218881	A1 *	8/2015	Cheringal	.....	E06B 9/262
					160/84.06
2015/0322714	A1 *	11/2015	Rupel	.....	E06B 9/262
					160/84.05
2016/0123071	A1 *	5/2016	Huang	.....	E06B 9/262
					160/170
2016/0123074	A1 *	5/2016	Anderson	.....	E06B 9/262
					160/368.1
2016/0138330	A1 *	5/2016	Huang	.....	E06B 9/262
					160/170
2016/0163239	A1 *	6/2016	Church	.....	E06B 9/24
					434/75
2016/0186486	A1 *	6/2016	Chen	.....	E06B 9/24
					160/84.07
2016/0222724	A1 *	8/2016	Morris	.....	E06B 9/322
2016/0222725	A1 *	8/2016	Morris	.....	E06B 9/262
2016/0273268	A1 *	9/2016	Yocum	.....	E06B 9/262

\* cited by examiner

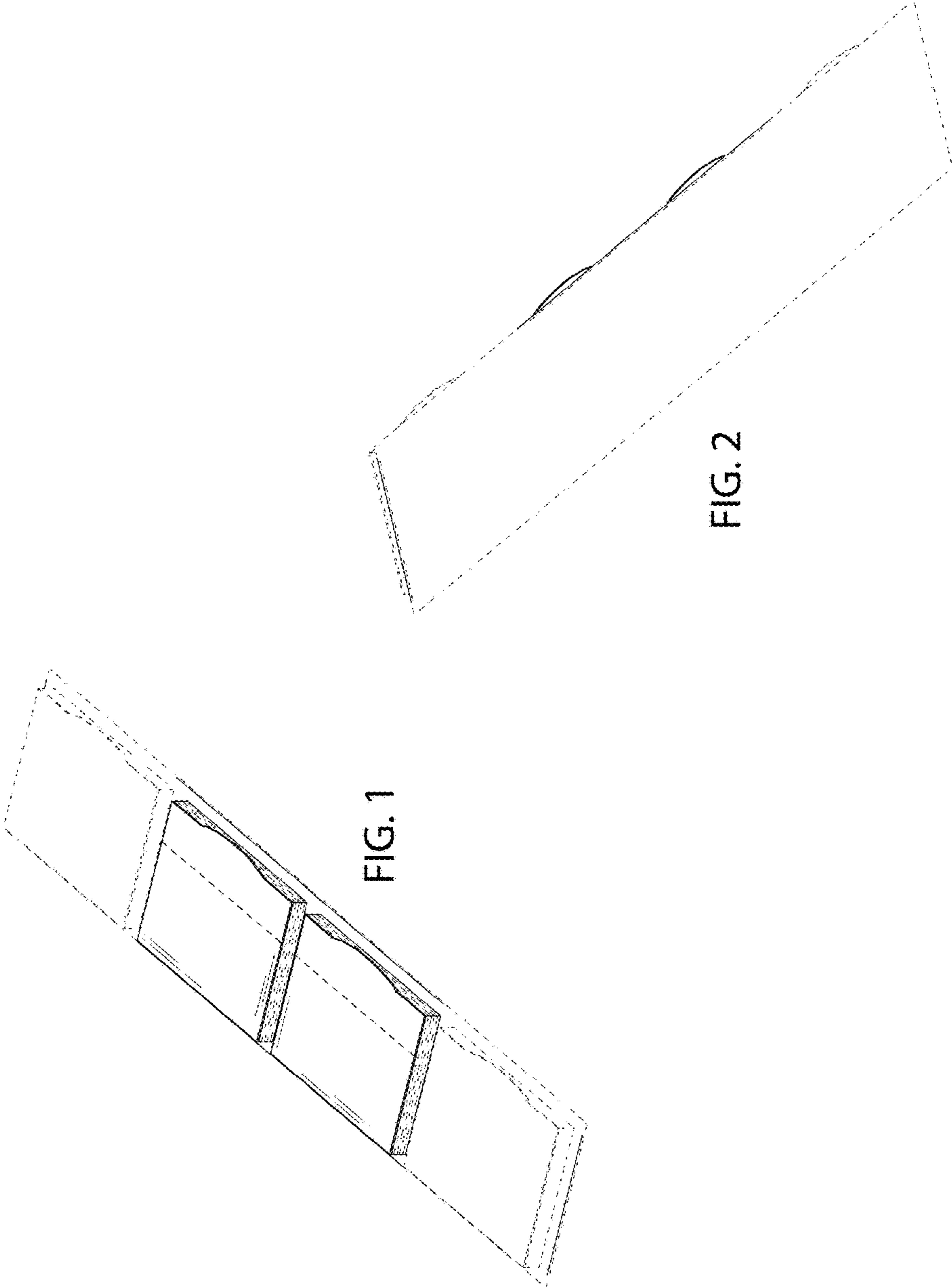


FIG. 1

FIG. 2

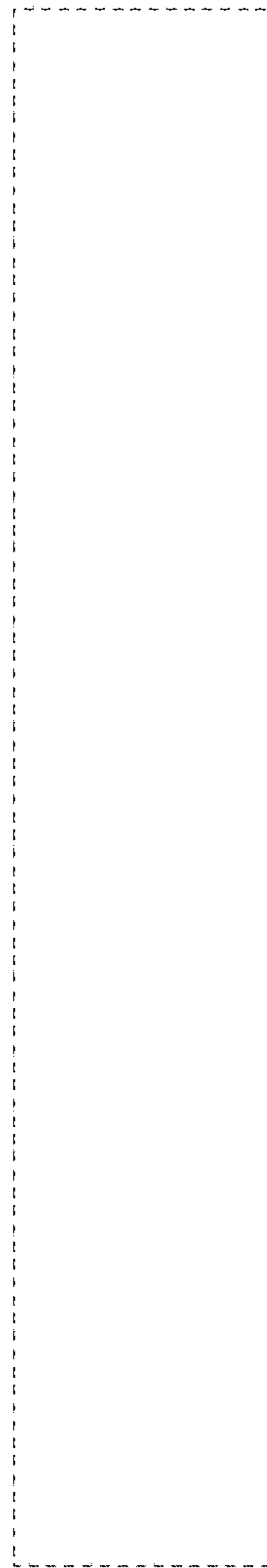
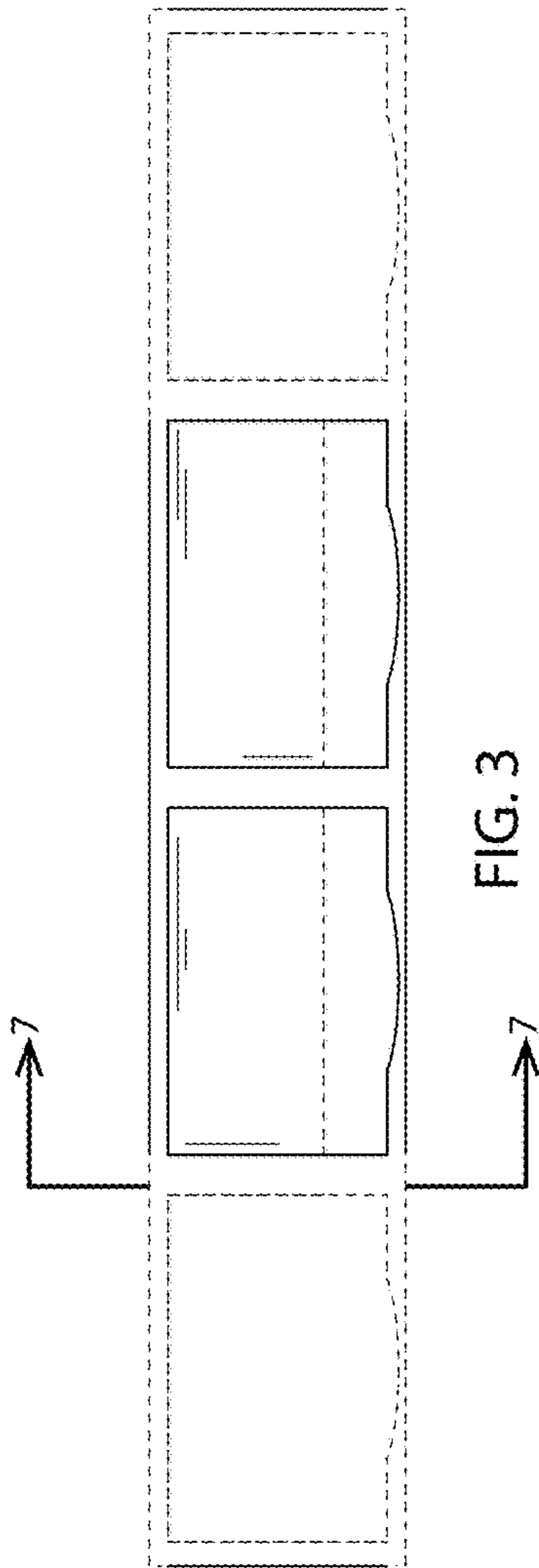




FIG. 5

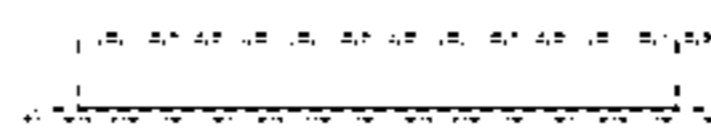


FIG. 6

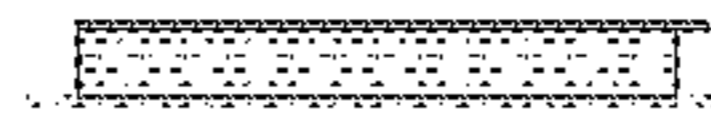


FIG. 7