



US00D854349S

(12) **United States Design Patent**
Moerman et al.

(10) **Patent No.:** **US D854,349 S**

(45) **Date of Patent:** **** Jul. 23, 2019**

(54) **TOWEL BAR**

(71) Applicant: **JEE-O Concepts B.V.**, Nijmegen (NL)

(72) Inventors: **Lammert Moerman**, Beuningen (NL);
Brian Sironi, Seregno (IT)

(73) Assignee: **JEE-O Concepts B.V.**, Nijmegen (NL)

(**) Term: **15 Years**

(21) Appl. No.: **29/640,158**

(22) Filed: **Mar. 12, 2018**

(51) **LOC (11) Cl.** **06-04**

(52) **U.S. Cl.**

USPC **D6/549**

(58) **Field of Classification Search**

USPC D6/546–550, 512–525; 211/13.1, 16,
211/85.5, 86.01, 87.01, 88.04, 100, 105.1,
211/105.2, 106, 113, 123, 181.1,
211/182–183; 248/49, 175, 176.1, 200,
248/201, 205.1, 251, 302, 309.1, 315;
242/570, 590, 595–598; D8/300,
D8/315–321, 354, 363, 373, 380;
108/28–29; D25/45

CPC A47K 10/3836; A47K 10/38

See application file for complete search history.

(56) **References Cited**

U.S. PATENT DOCUMENTS

D310,479 S *	9/1990	Speetzen	D6/566
D382,429 S *	8/1997	Goldstein	D6/521
D383,343 S *	9/1997	Goodman	D6/522
D385,446 S *	10/1997	Keserica	D6/523
5,765,775 A *	6/1998	Keserica	A47K 10/38 242/597
D461,082 S *	8/2002	Snell	D6/522
D472,087 S *	3/2003	Goodman	D6/523
D482,557 S *	11/2003	Shih	D6/553
D523,272 S *	6/2006	Ferrer Beltran	D6/546

D532,228 S *	11/2006	Snell	D6/522
D562,605 S *	2/2008	Hoernig	D6/523
7,628,363 B2 *	12/2009	Goldstein	A47H 1/022 248/200.1
D672,990 S *	12/2012	Lindo	D6/549

OTHER PUBLICATIONS

Jee-o website, wall basin mixer towel bar, Jul. 28, 2017, <https://www.jee-o.com/collection-jee-o/jee-o-flow-series/>.

* cited by examiner

Primary Examiner — David G Muller

Assistant Examiner — Nathan M Johnston

(74) *Attorney, Agent, or Firm* — McAndrews, Held & Malloy, Ltd.

(57) **CLAIM**

The ornamental design for a towel bar, as shown and described.

DESCRIPTION

FIG. 1 is a front right perspective view of a towel bar showing our new design;

FIG. 2 is a front perspective view thereof;

FIG. 3 is a front left perspective view thereof;

FIG. 4 is a left perspective view thereof;

FIG. 5 is a right perspective view thereof;

FIG. 6 is a top perspective view thereof;

FIG. 7 is a bottom perspective view thereof;

FIG. 8 is an enlarged top right perspective view of a portion of the towel bar;

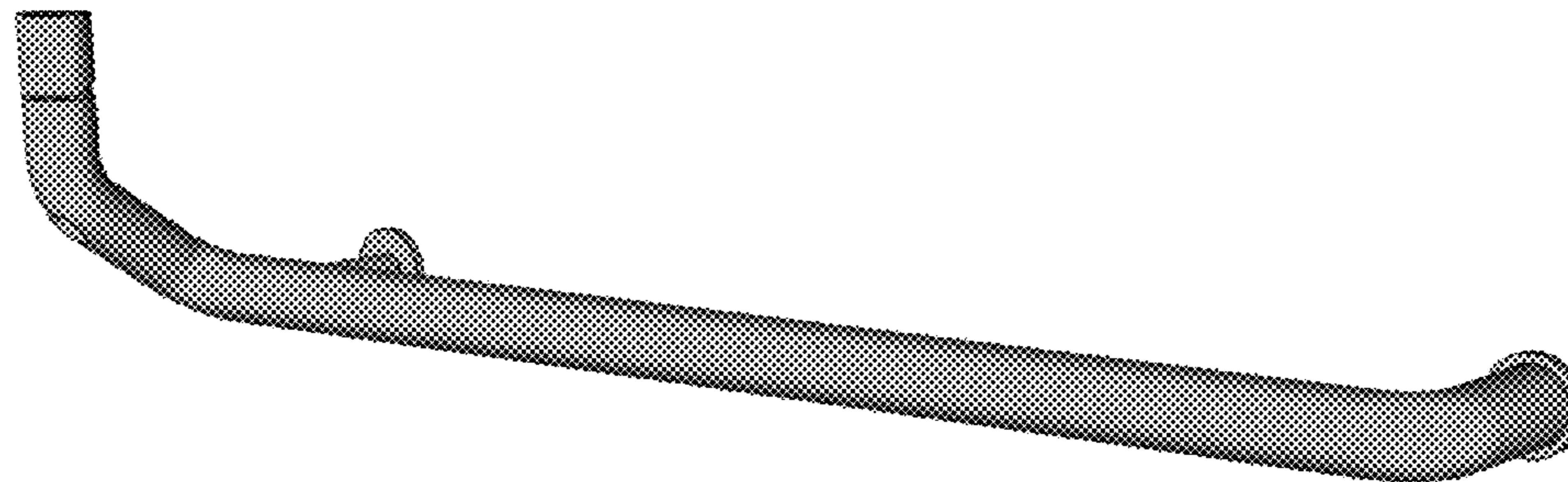
FIG. 9 is an enlarged bottom right perspective view of a portion of the towel bar;

FIG. 10 is an enlarged bottom perspective view of a portion of the towel bar; and,

FIG. 11 is an enlarged rear perspective view of a portion of the towel bar.

Views of the towel bar not shown form no part of the claimed design.

1 Claim, 11 Drawing Sheets



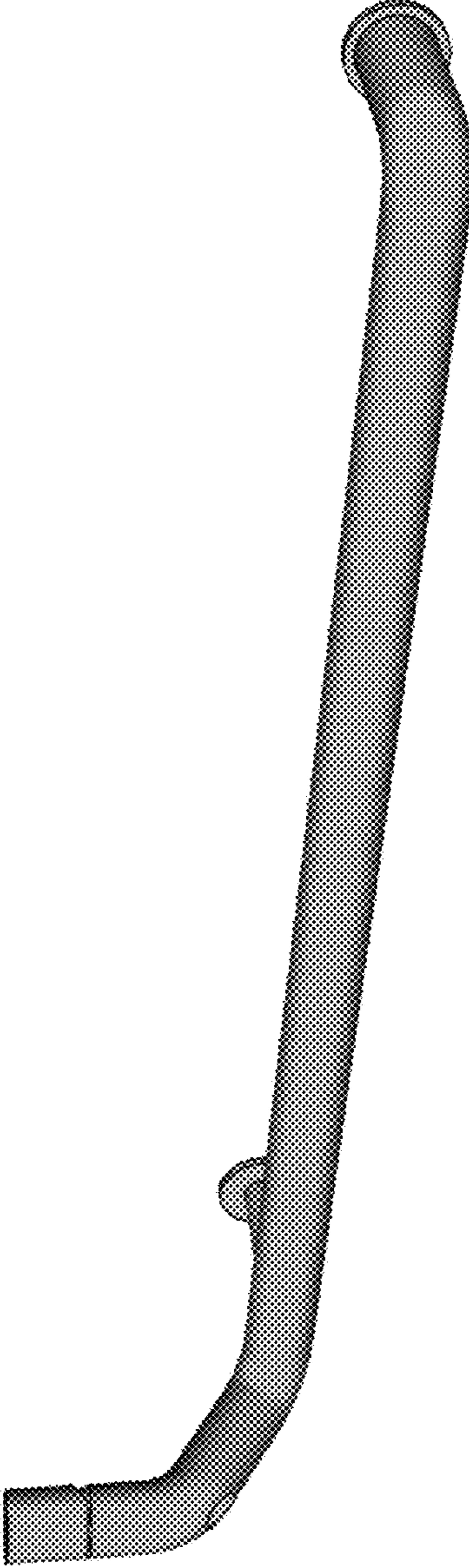


FIG. 1

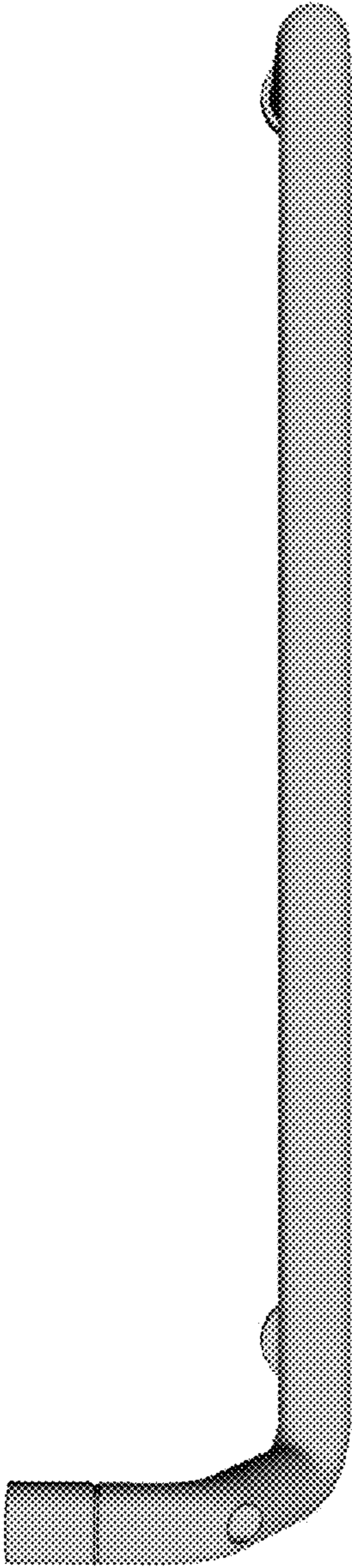


FIG. 2

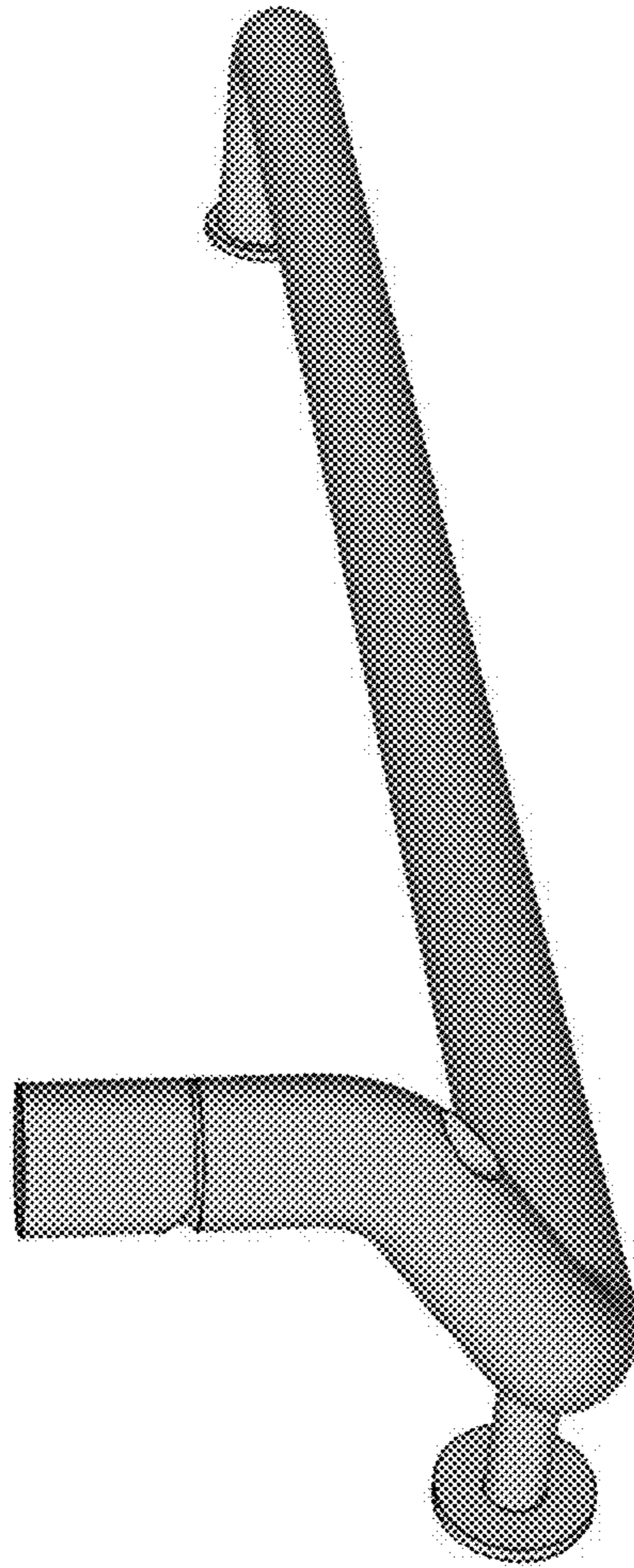


FIG. 3

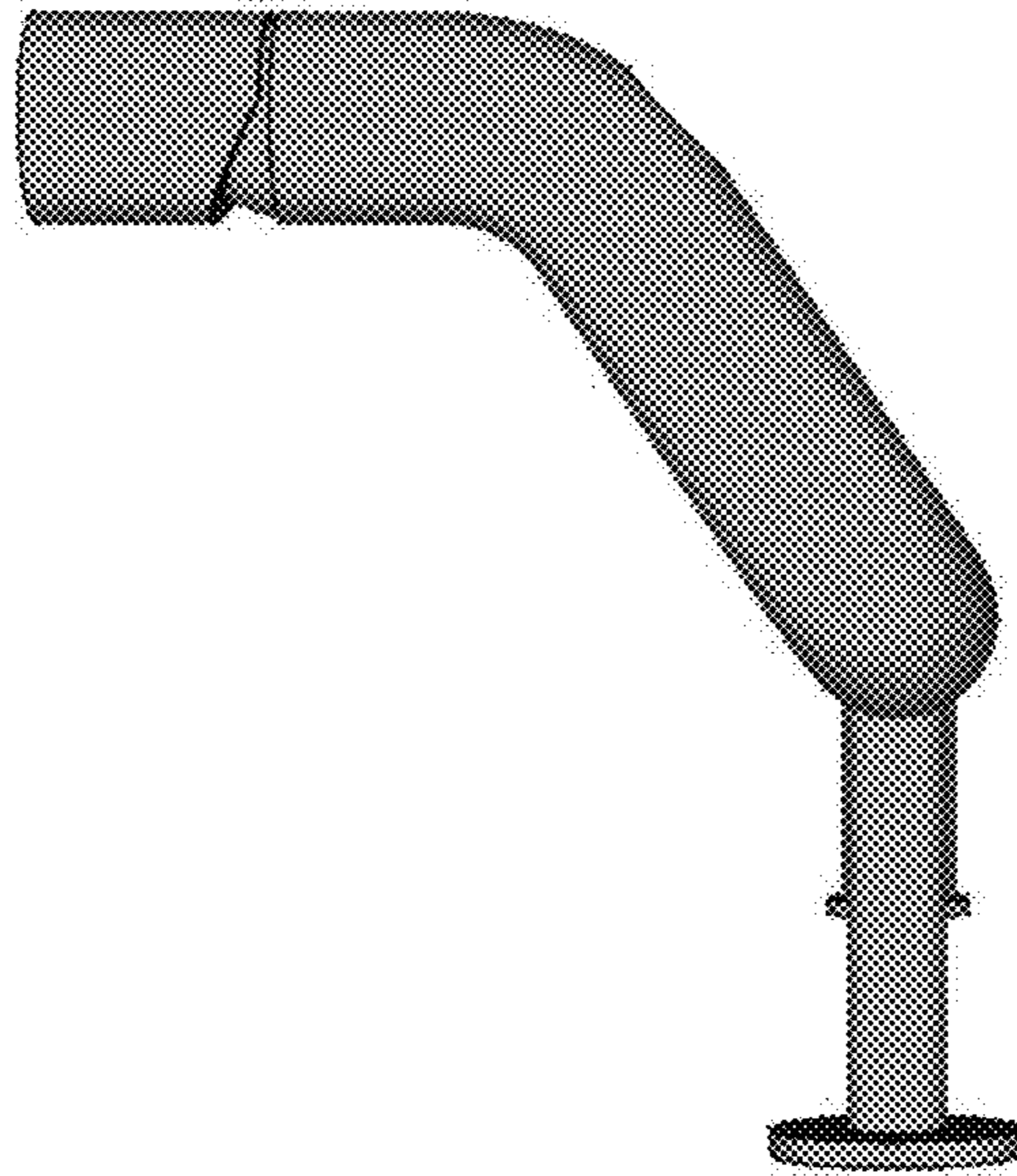


FIG. 4

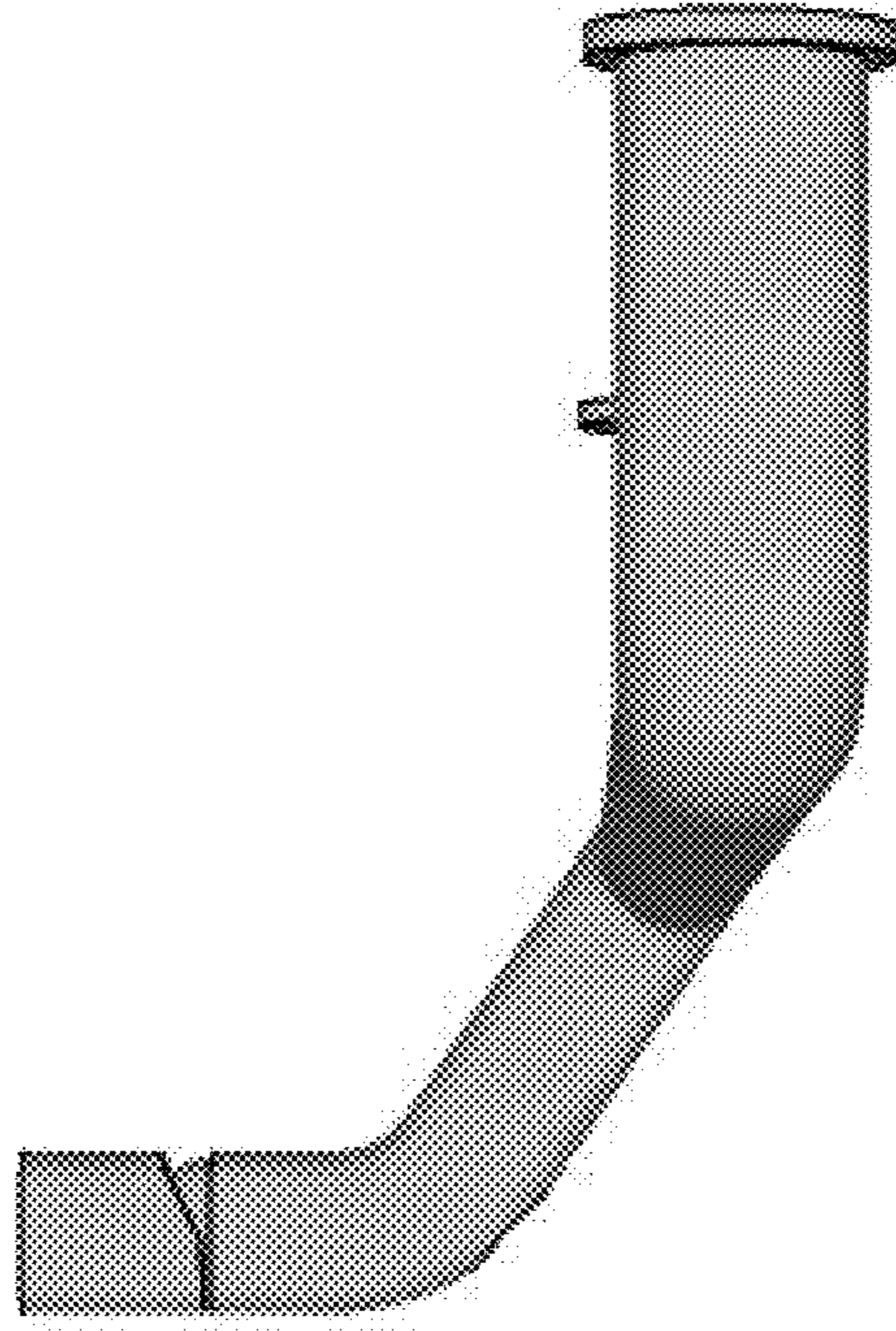


FIG. 5

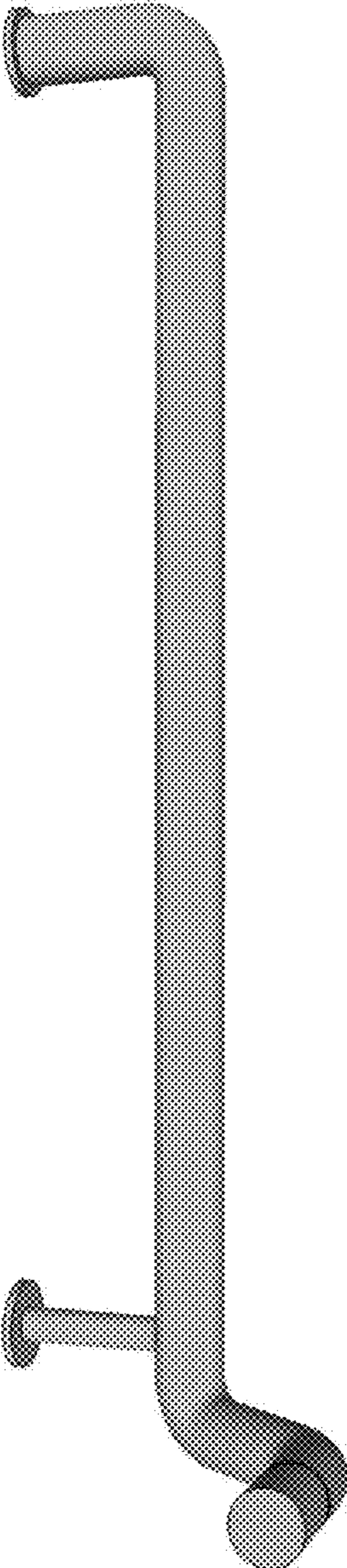


FIG. 6

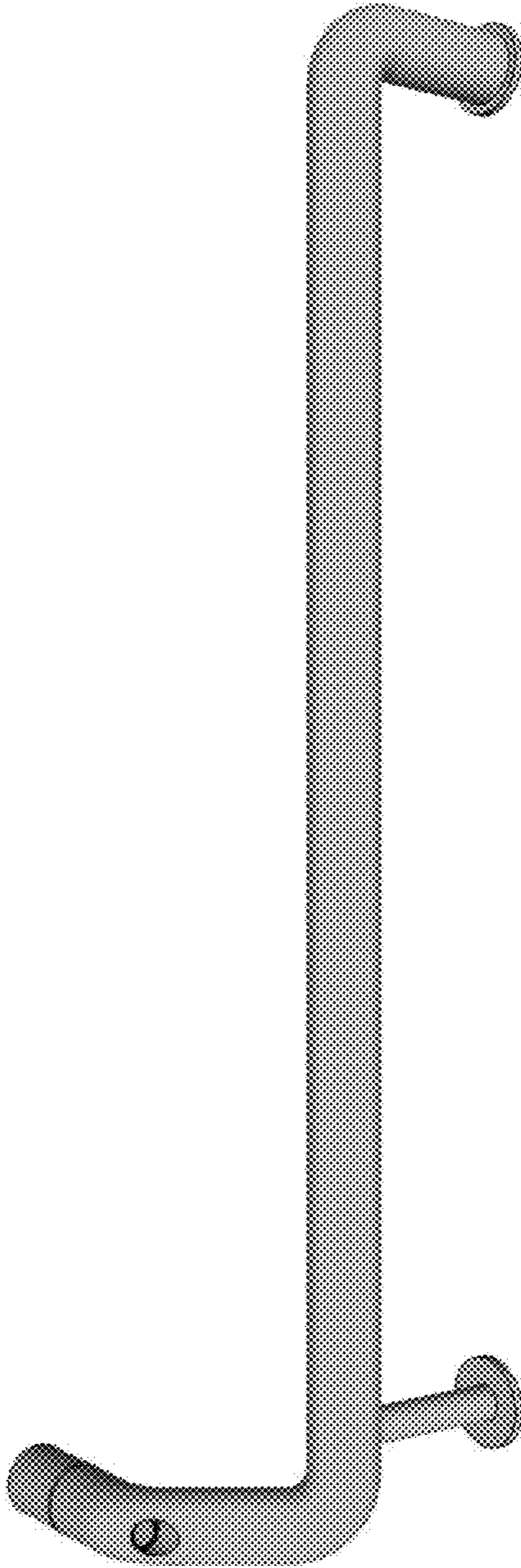


FIG. 7

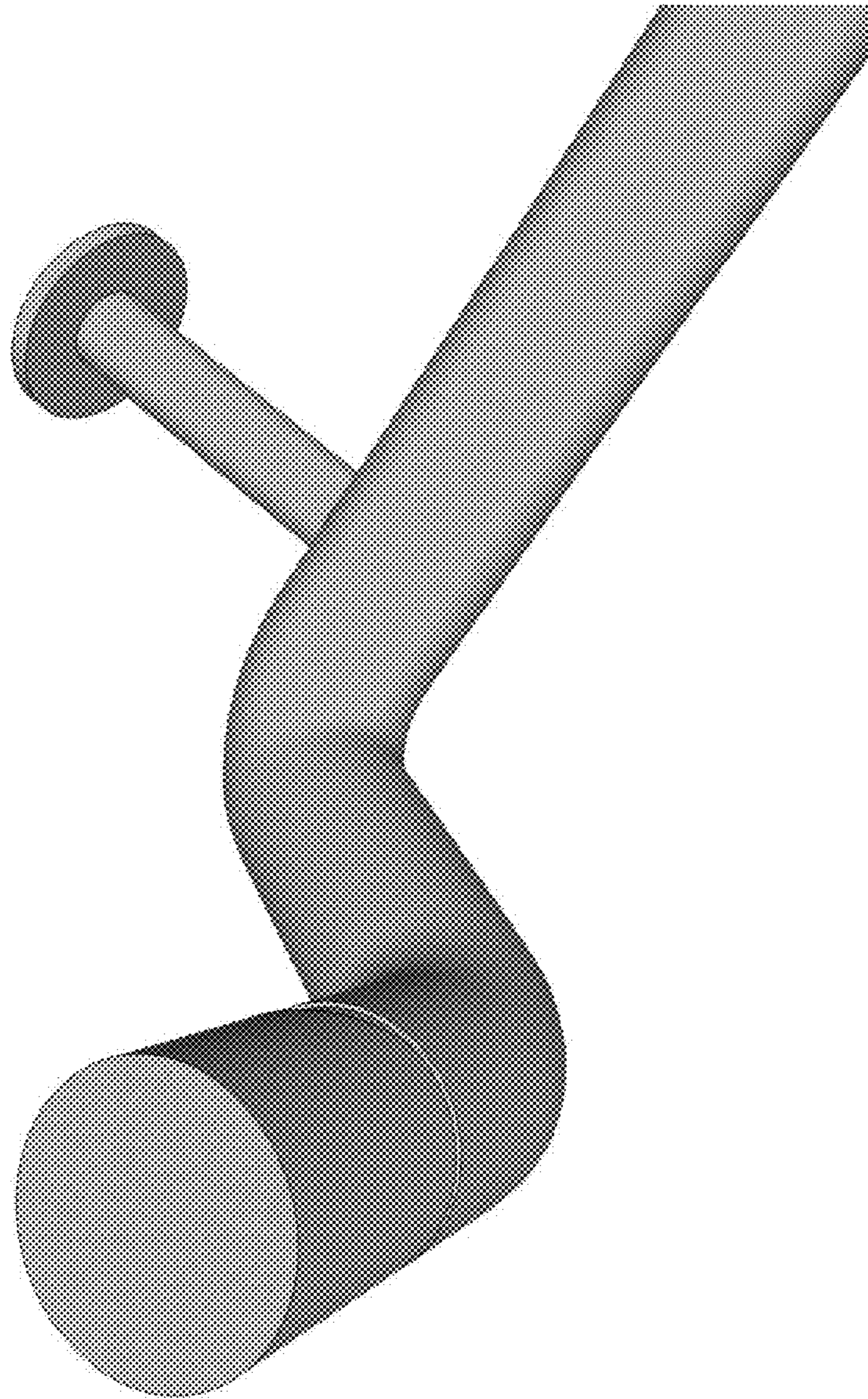


FIG. 8

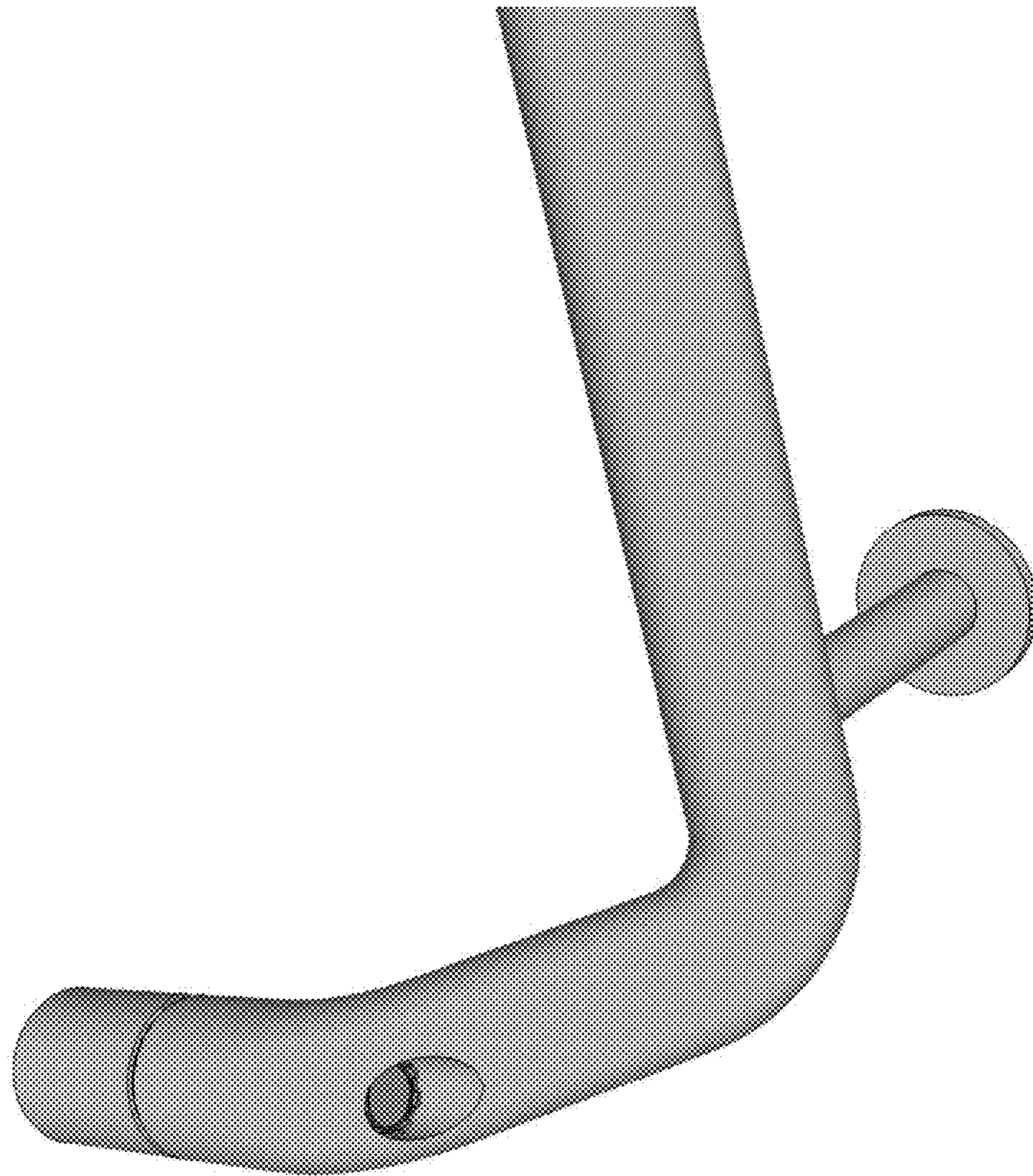


FIG. 9

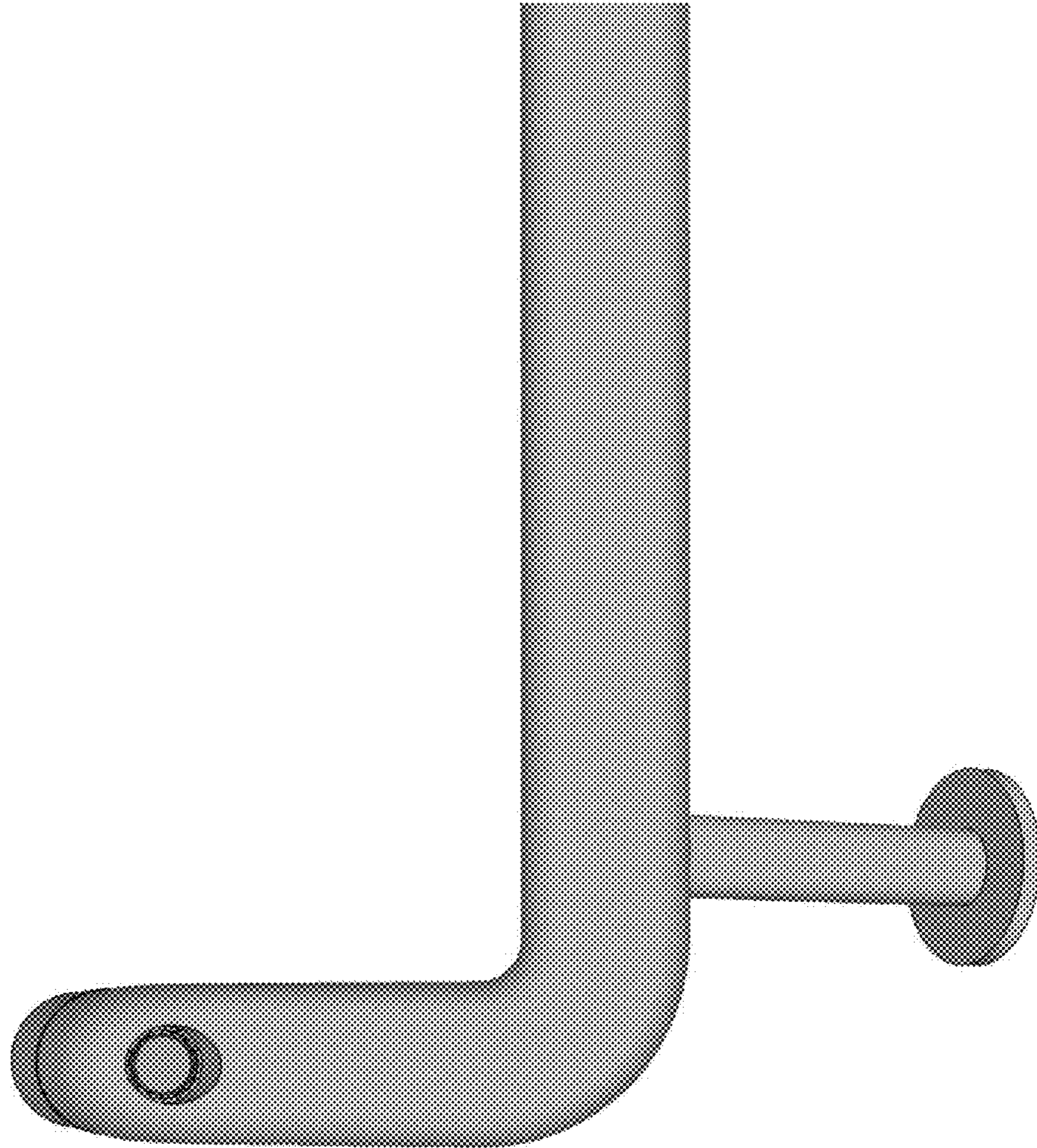


FIG. 10

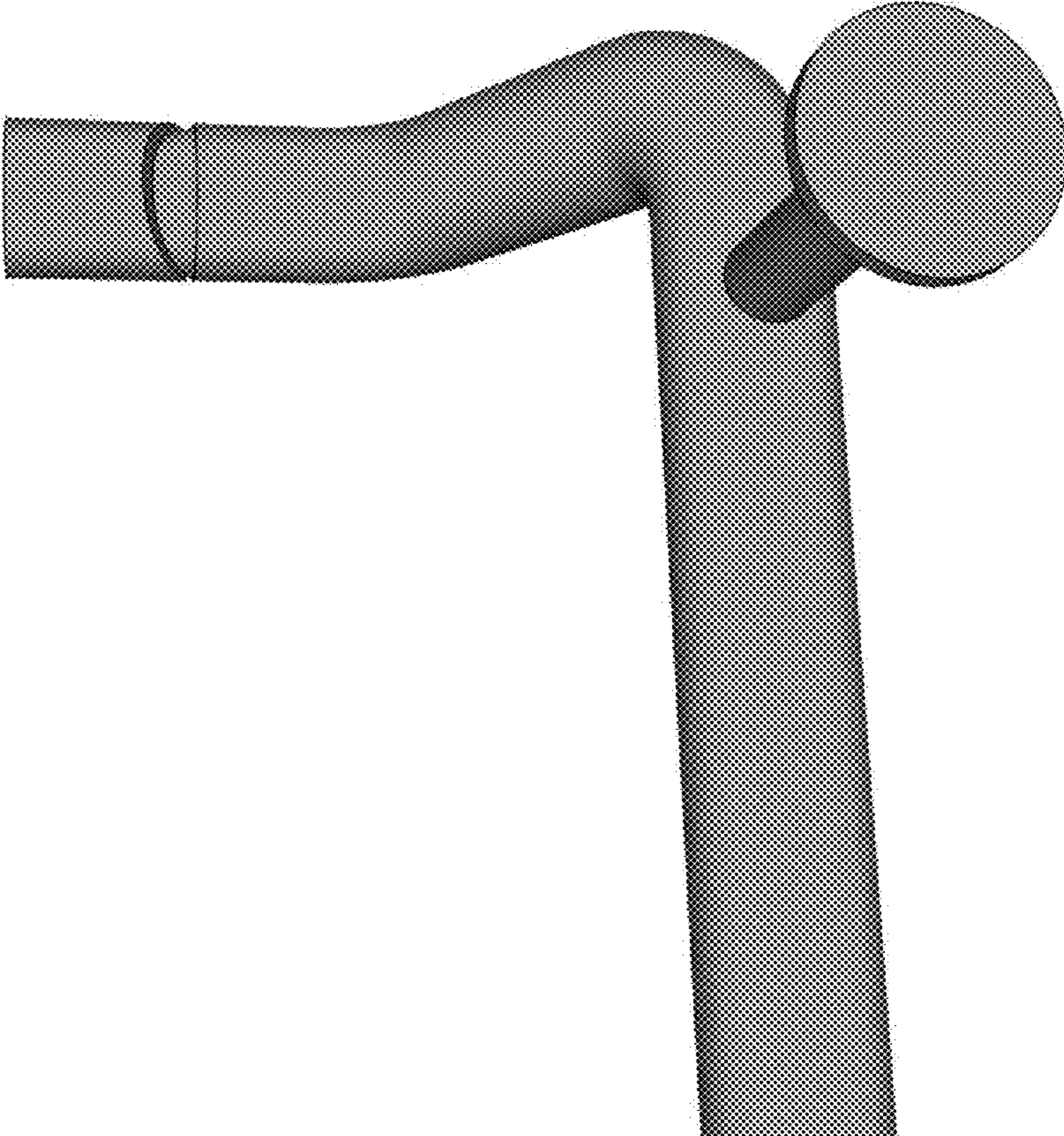


FIG. 11