



US00D854348S

(12) **United States Design Patent**
Gabriel

(10) **Patent No.:** **US D854,348 S**

(45) **Date of Patent:** **** Jul. 23, 2019**

(54) **SOAP RETENTION DEVICE**

(71) Applicant: **Robert Gabriel**, Greenwich, CT (US)

(72) Inventor: **Robert Gabriel**, Greenwich, CT (US)

(73) Assignee: **Stay Dry Soap Dish, LLC**, Riverside, CT (US)

(**) Term: **15 Years**

(21) Appl. No.: **29/649,489**

(22) Filed: **May 30, 2018**

(51) **LOC (11) Cl.** **23-02**

(52) **U.S. Cl.**
USPC **D6/536**

(58) **Field of Classification Search**
USPC D6/536-537, 524, 525, 540, 566, 567,
D6/320; 211/13.1, 74, 71.01, 86.01, 75,
211/88.01, 90.01, 90.03, 106, 119, 126.1,
211/133.5, 181.1, 134, 87.01; D7/637;
248/206.2-206.3; D3/306; D32/55-56
CPC .. B23P 17/04; A47K 1/09; A47K 1/08; A47K
3/281; F16B 47/00
See application file for complete search history.

(56) **References Cited**

U.S. PATENT DOCUMENTS

D332,367 S *	1/1993	McKeone	D6/540
D337,465 S *	7/1993	Paulin	D6/540
D356,914 S *	4/1995	Cecula	D6/536
D358,518 S *	5/1995	Sharpe	D6/540
D385,137 S *	10/1997	von Seidel	D6/536
D388,643 S *	1/1998	von Buelow	D6/540
D396,158 S *	7/1998	Rodis	D6/540
D423,848 S *	5/2000	Cayouette	D6/536
D440,441 S *	4/2001	Gottwald	D6/540
D451,732 S *	12/2001	Zetsche	D6/540
D478,232 S *	8/2003	Dretzka	D6/536
D480,585 S *	10/2003	Johansson	D6/540

D499,291 S *	12/2004	Snell	D6/536
D504,262 S *	4/2005	Lee	D6/536
D533,382 S *	12/2006	Snell	D6/536
D549,503 S *	8/2007	Nagoya	D6/536
D574,172 S *	8/2008	Bickler	D6/540
D599,596 S *	9/2009	Ghiorghie	D6/536
D605,445 S *	12/2009	De Bonis	D6/540
D637,845 S *	5/2011	Kraemer	D6/536
D704,953 S *	5/2014	Reitze	D6/536
D777,470 S *	1/2017	Ho	D6/536
D824,692 S *	8/2018	Kwiatkowski	D6/536
D839,619 S *	2/2019	Umholtz	D6/356
D839,688 S *	2/2019	Dittrich	D7/637
2011/0297562 A1 *	12/2011	Robbins	A47K 5/03 206/216

* cited by examiner

Primary Examiner — David G Muller

Assistant Examiner — Nathan M Johnston

(74) *Attorney, Agent, or Firm* — St. Onge Steward
Johnston & Reens LLC

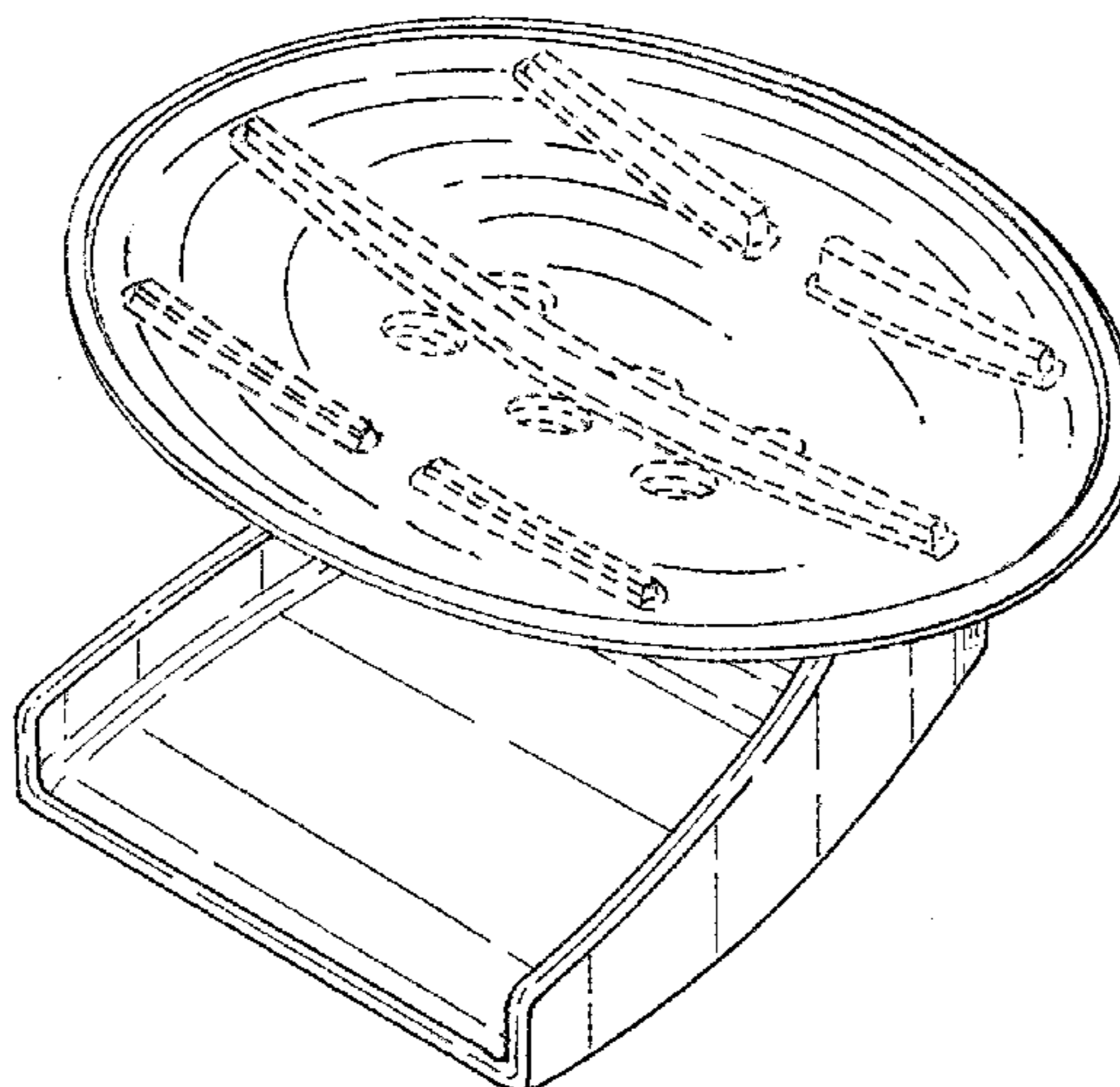
(57) **CLAIM**

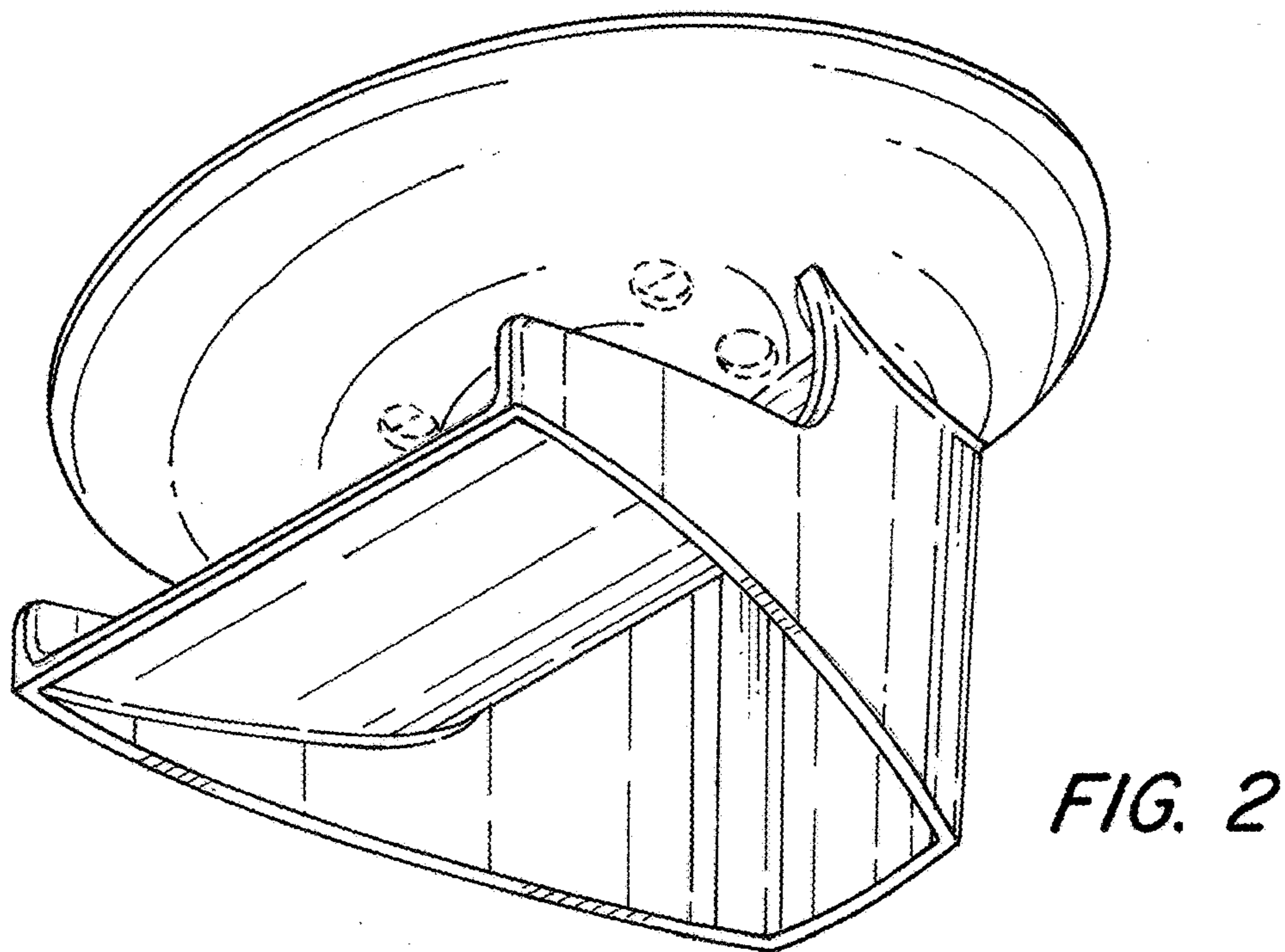
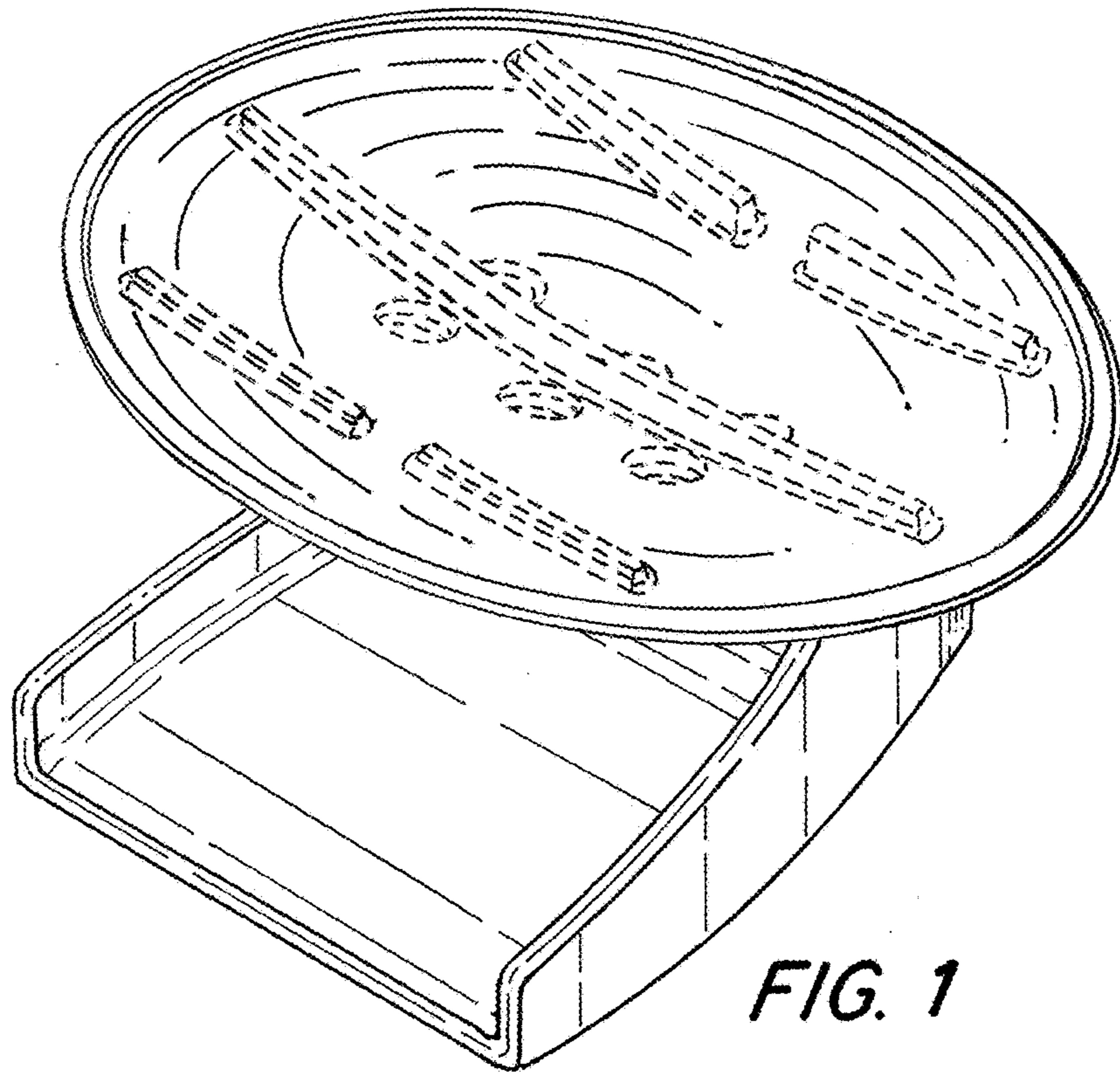
The ornamental design for a soap retention device, as shown and described.

DESCRIPTION

FIG. 1 is a top isometric view of a soap retention device in accordance with the new design;
FIG. 2 is a bottom isometric view thereof;
FIG. 3 is a top plan view thereof;
FIG. 4 is a bottom plan view thereof; and
FIG. 5 is a front elevational view thereof;
FIG. 6 is a rear elevational view thereof; and,
FIG. 7 is a left side elevational view thereof.
The left side elevational view is a mirror image of the right side.
The broken lines show portions of the design that form no part of the claimed design.

1 Claim, 4 Drawing Sheets





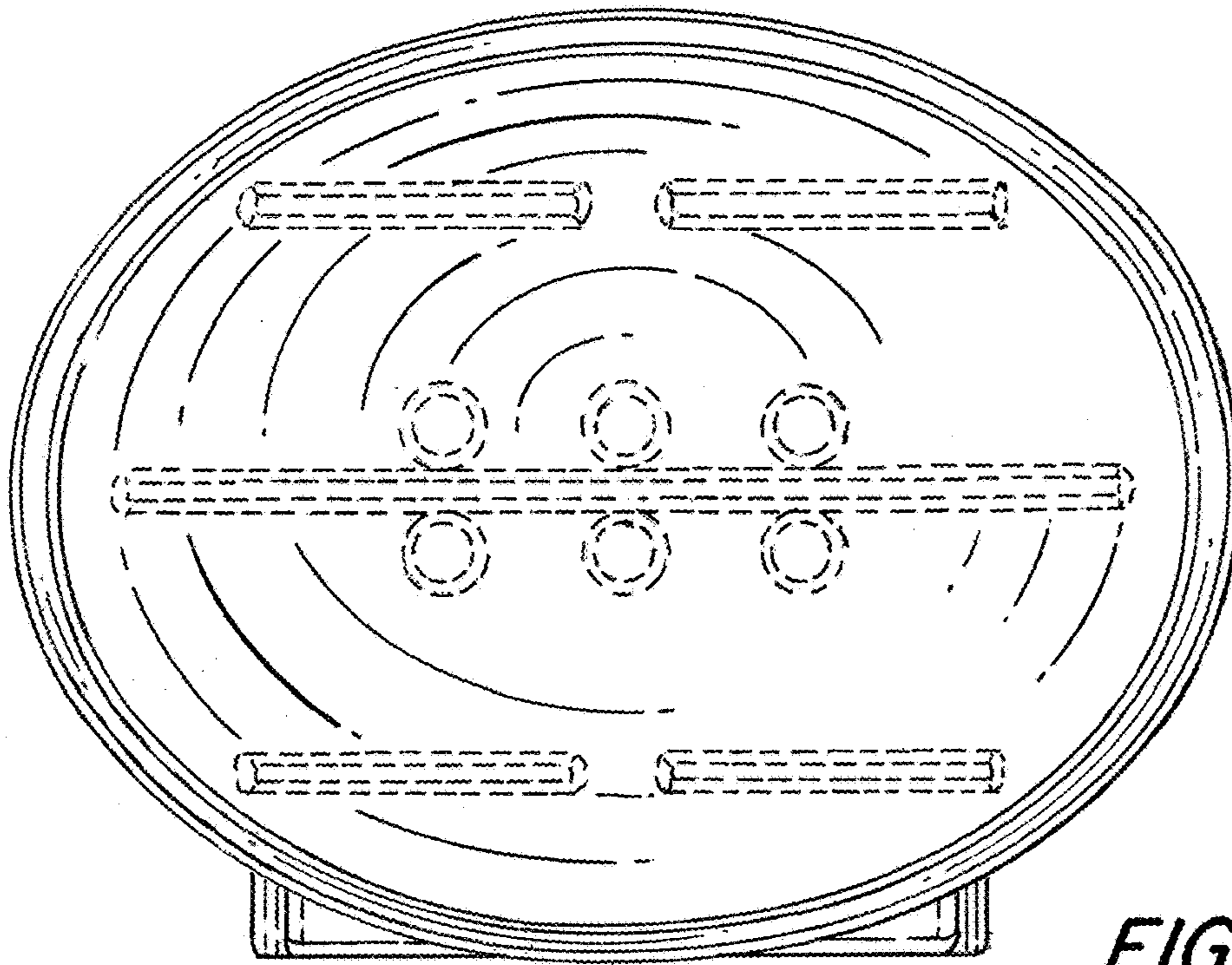


FIG. 3

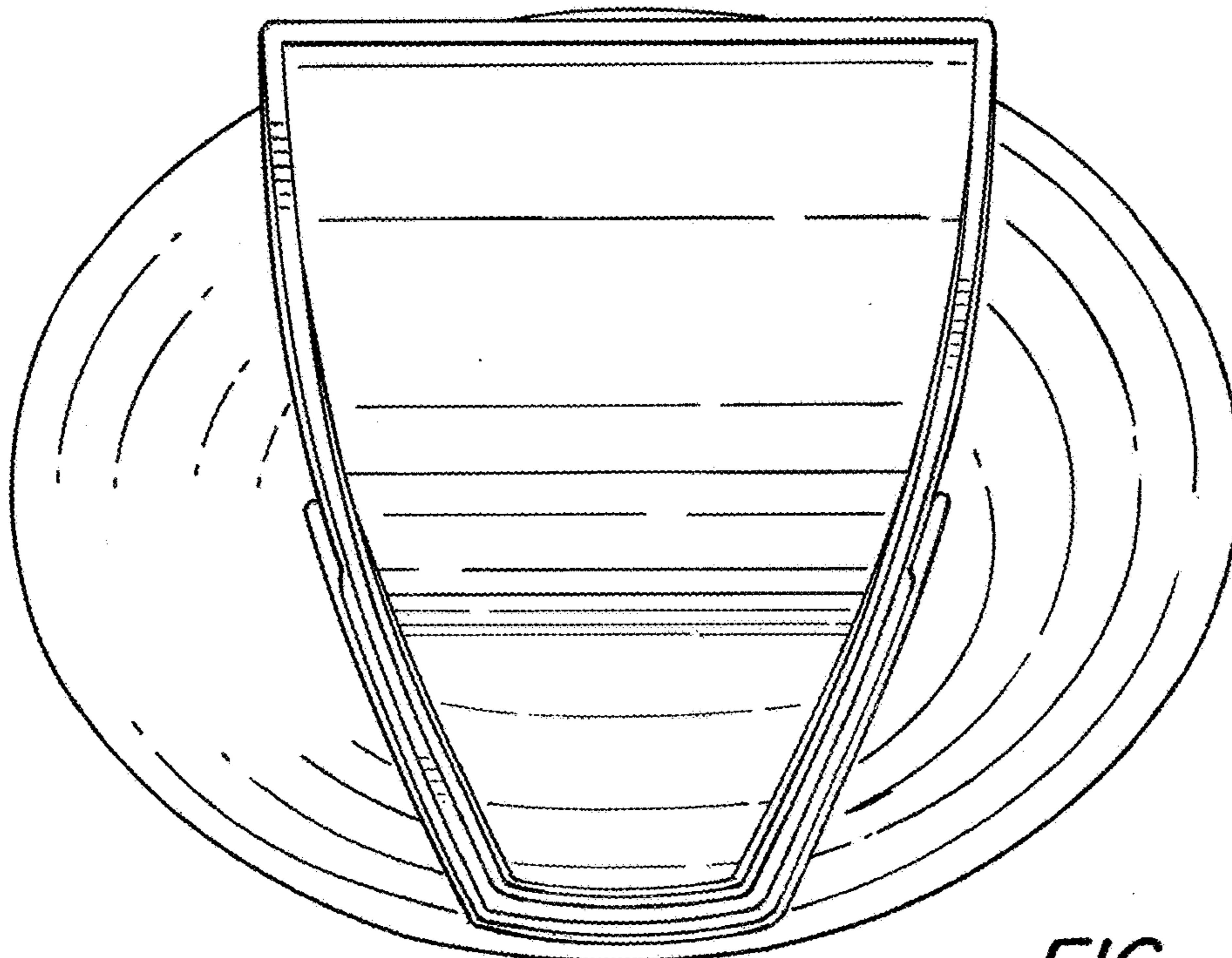


FIG. 4

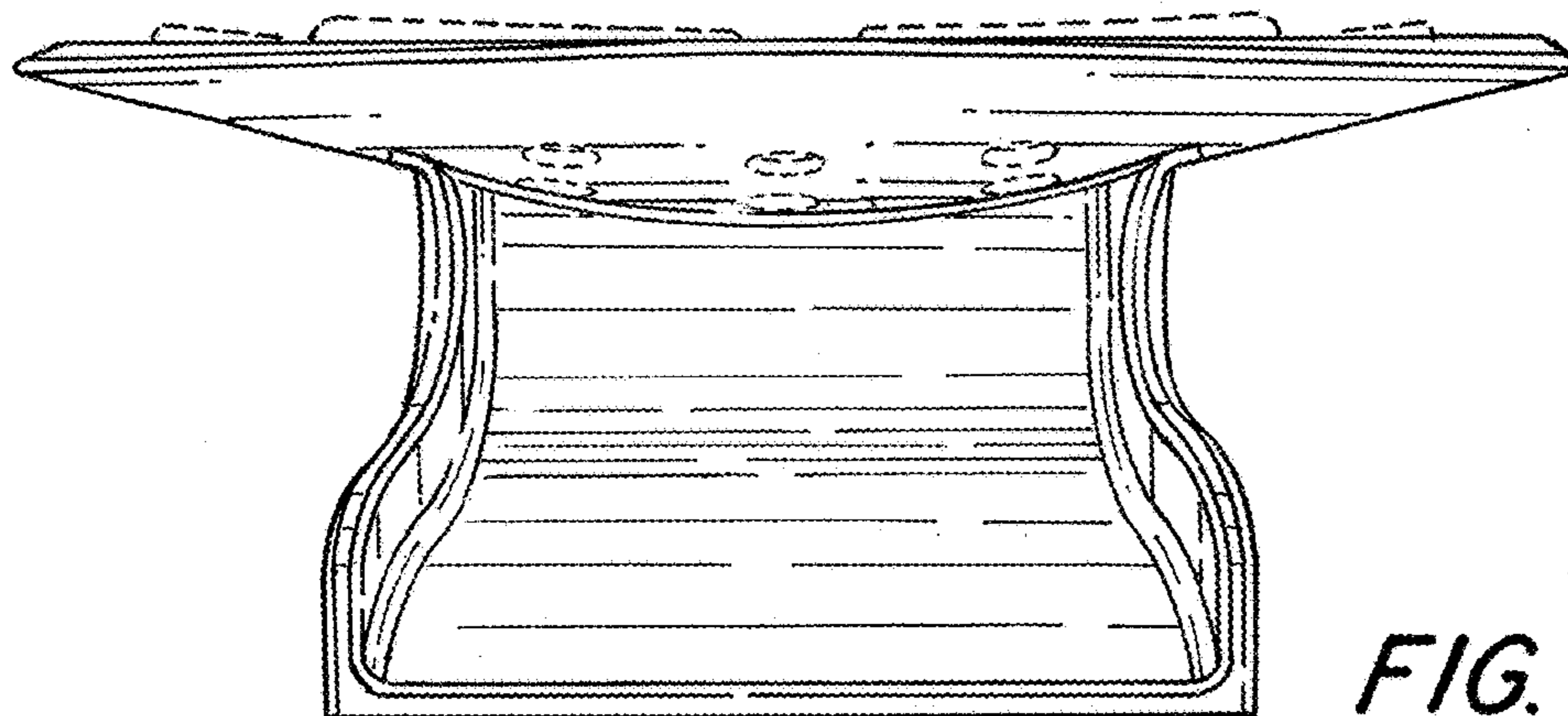


FIG. 5

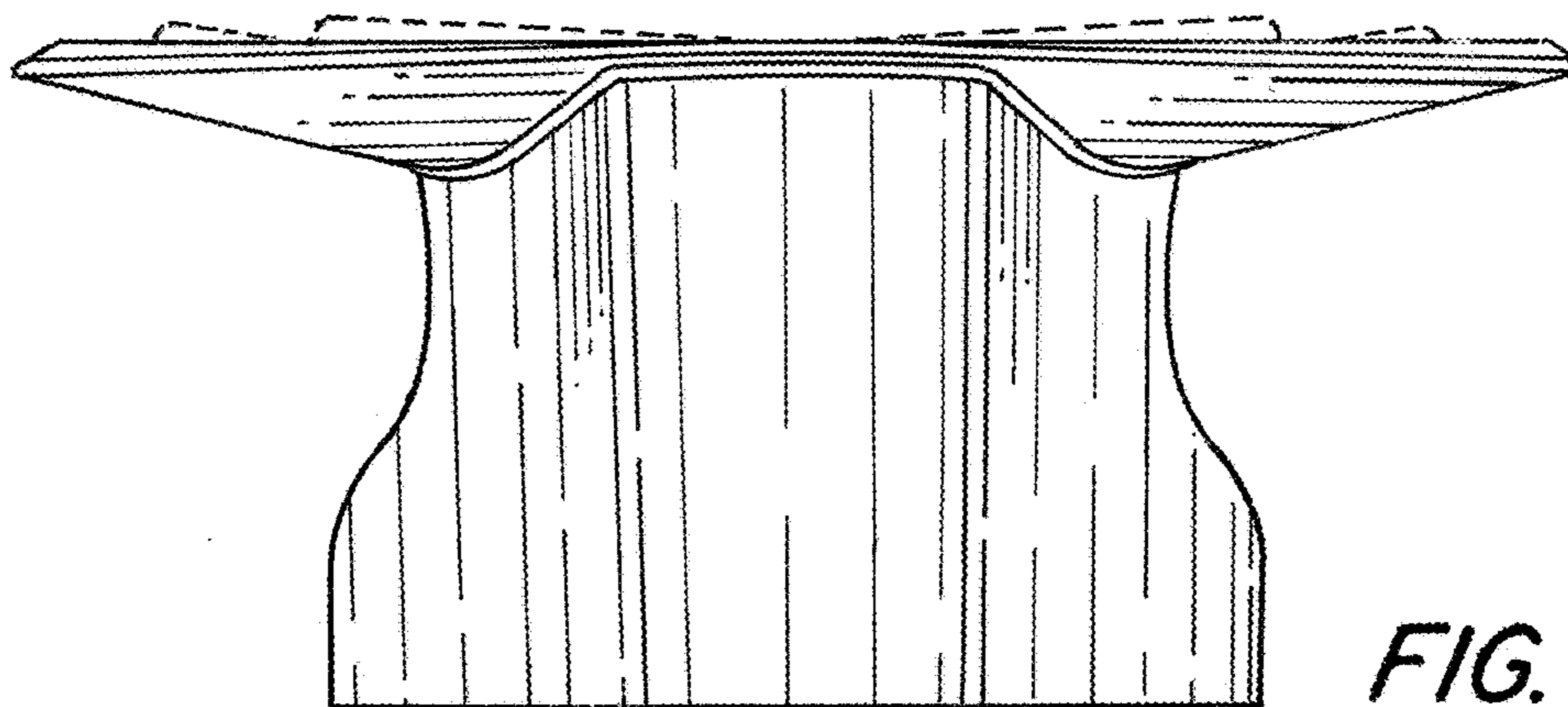


FIG. 6

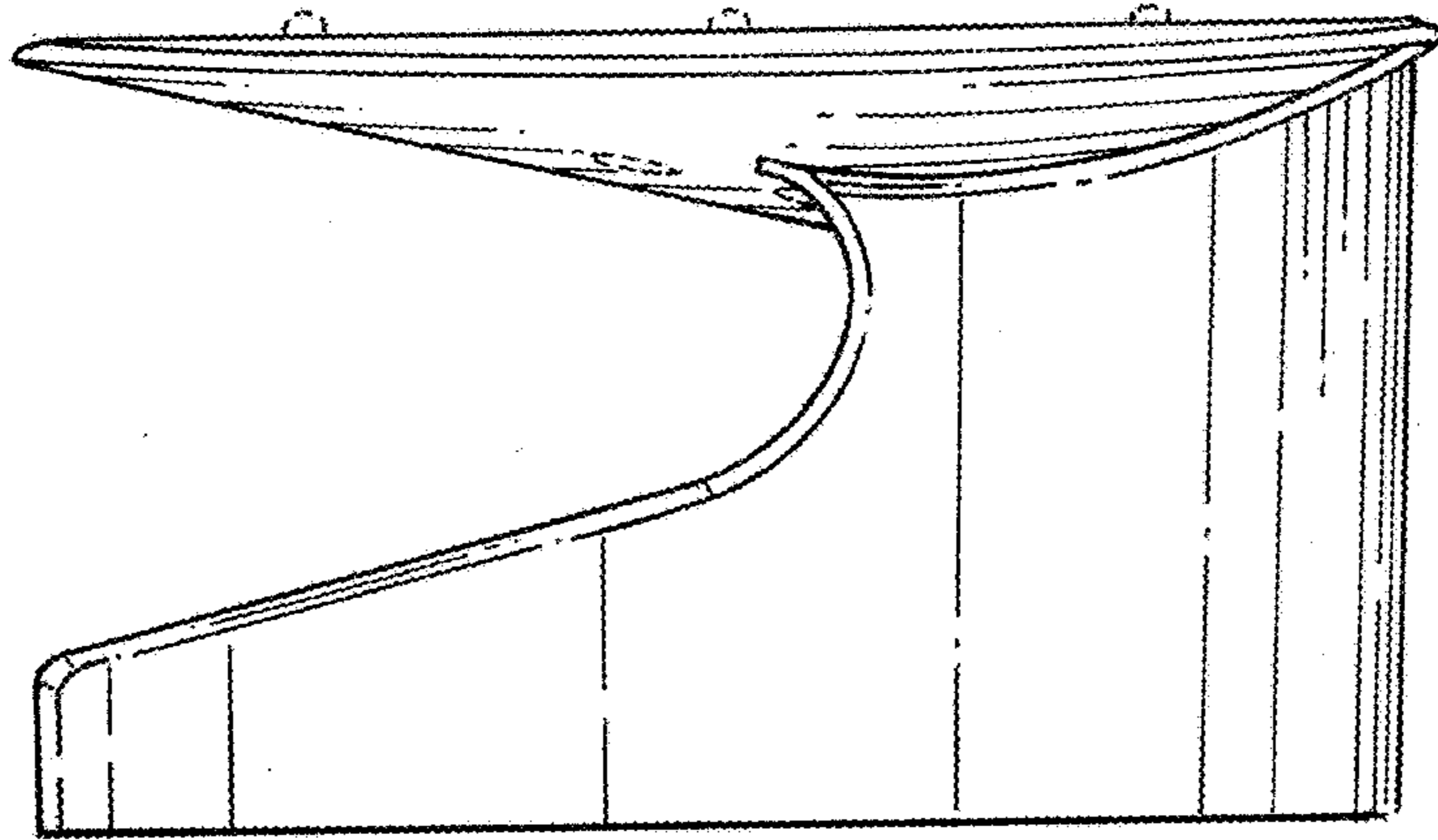


FIG. 7