



US00D854347S

(12) **United States Design Patent**  
**Starkey**

(10) **Patent No.:** **US D854,347 S**

(45) **Date of Patent:** **\*\* Jul. 23, 2019**

(54) **ROLLER FOR A ROLL TOWEL DISPENSER**

- (71) Applicant: **Bradley Fixtures Corporation**,  
Menomonee Falls, WI (US)
- (72) Inventor: **Michael M. Starkey**, Kent, OH (US)
- (73) Assignee: **Bradley Fixtures Corporation**,  
Menomonee Falls, WI (US)
- (\*\*) Term: **15 Years**

- (21) Appl. No.: **29/647,878**
- (22) Filed: **May 16, 2018**
- (51) **LOC (11) Cl.** ..... **20-02**
- (52) **U.S. Cl.**  
USPC ..... **D6/518**
- (58) **Field of Classification Search**  
USPC ..... D6/515-518, 553, 542-545, 567, 574;  
206/225, 233, 389, 391, 77.1; 211/13.1,  
211/173, 180, 45, 86.01, 87.02, 87.01;  
248/309.1, 309.2, 905; 242/570, 590;  
221/26.33, 282, 283, 14, 92, 105;  
222/173, 180, 281-282  
CPC ... A47K 10/40; A47K 10/38; A47K 2010/324  
See application file for complete search history.

(56) **References Cited**

**U.S. PATENT DOCUMENTS**

- 3,730,409 A 5/1973 Ratti
- 4,106,684 A 8/1978 Hartbauer et al.
- 4,688,751 A \* 8/1987 Valot ..... A47K 5/05  
248/309.1

(Continued)

**FOREIGN PATENT DOCUMENTS**

- WO WO-2016/154512 A1 9/2016
- WO WO-2016/204924 12/2016

**OTHER PUBLICATIONS**

International Search Report and Written Opinion regarding corresponding PCT Application No. PCT/US2018/033319, dated Oct. 25, 2018, 13 pps.

*Primary Examiner* — David G Muller

*Assistant Examiner* — Nathan M Johnston

(74) *Attorney, Agent, or Firm* — Foley & Lardner LLP

(57) **CLAIM**

I claim the ornamental design for a roller for a roll towel dispenser, as shown and described.

**DESCRIPTION**

This application is related to U.S. Des. Pat. App. Ser. No. 29/647,869, filed on May 16, 2018, entitled "Housing for a Roll Towel Dispenser," which is incorporated herein by reference in its entirety.

FIG. 1 is a top, front, right perspective view of a roller for a roll towel dispenser showing my new design within its environment of a roll towel dispenser with a front cover of the housing removed.

FIG. 2 is a front, right, perspective view of the claimed design of FIG. 1;

FIG. 3 is a front side view of the claimed design of FIG. 1;

FIG. 4 is a rear side view of the claimed design of FIG. 1;

FIG. 5 is a right side view of the claimed design of FIG. 1;

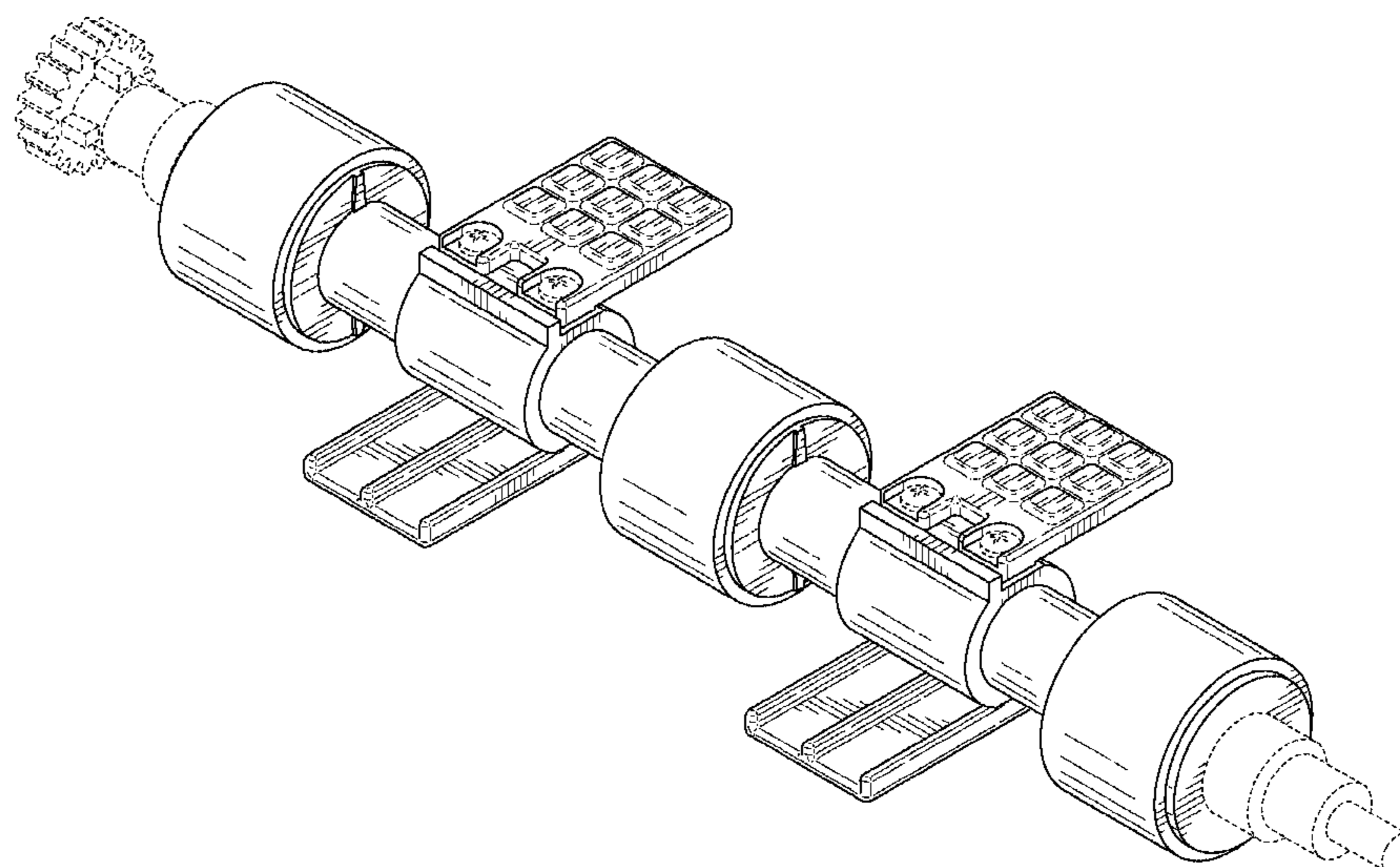
FIG. 6 is a left side view of the claimed design of FIG. 1;

FIG. 7 is a top view of the claimed design of FIG. 1; and

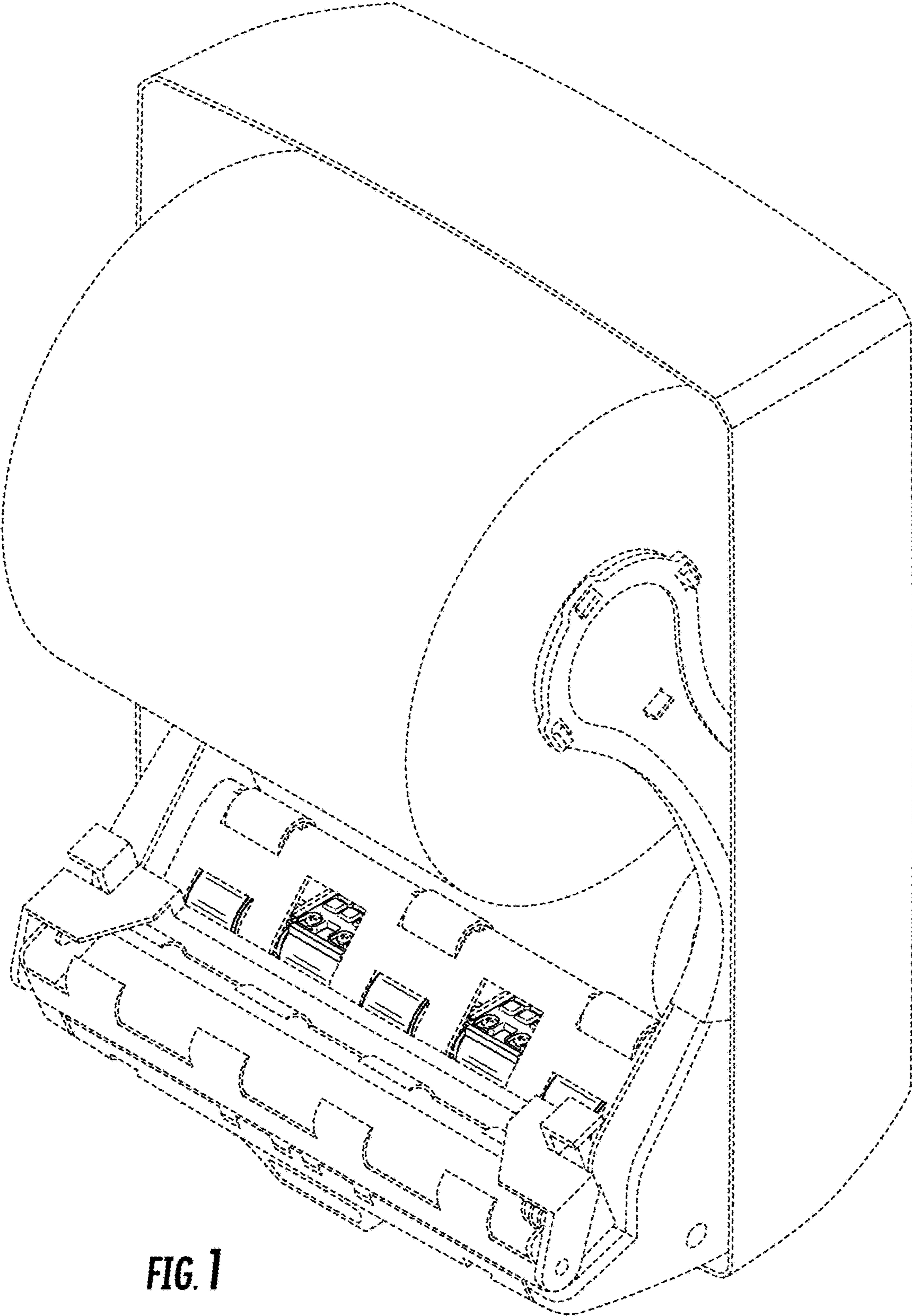
FIG. 8 is a bottom view of the claimed design of FIG. 1.

The broken line showing of parts of the drawings is included for the purpose of illustrating use and environment and forms no part of the claimed design. The dash dot lines immediately adjacent to the claimed areas in the views represent the boundaries of the claimed design. None of the broken lines form any part of the claimed design.

**1 Claim, 5 Drawing Sheets**







**FIG. 1**

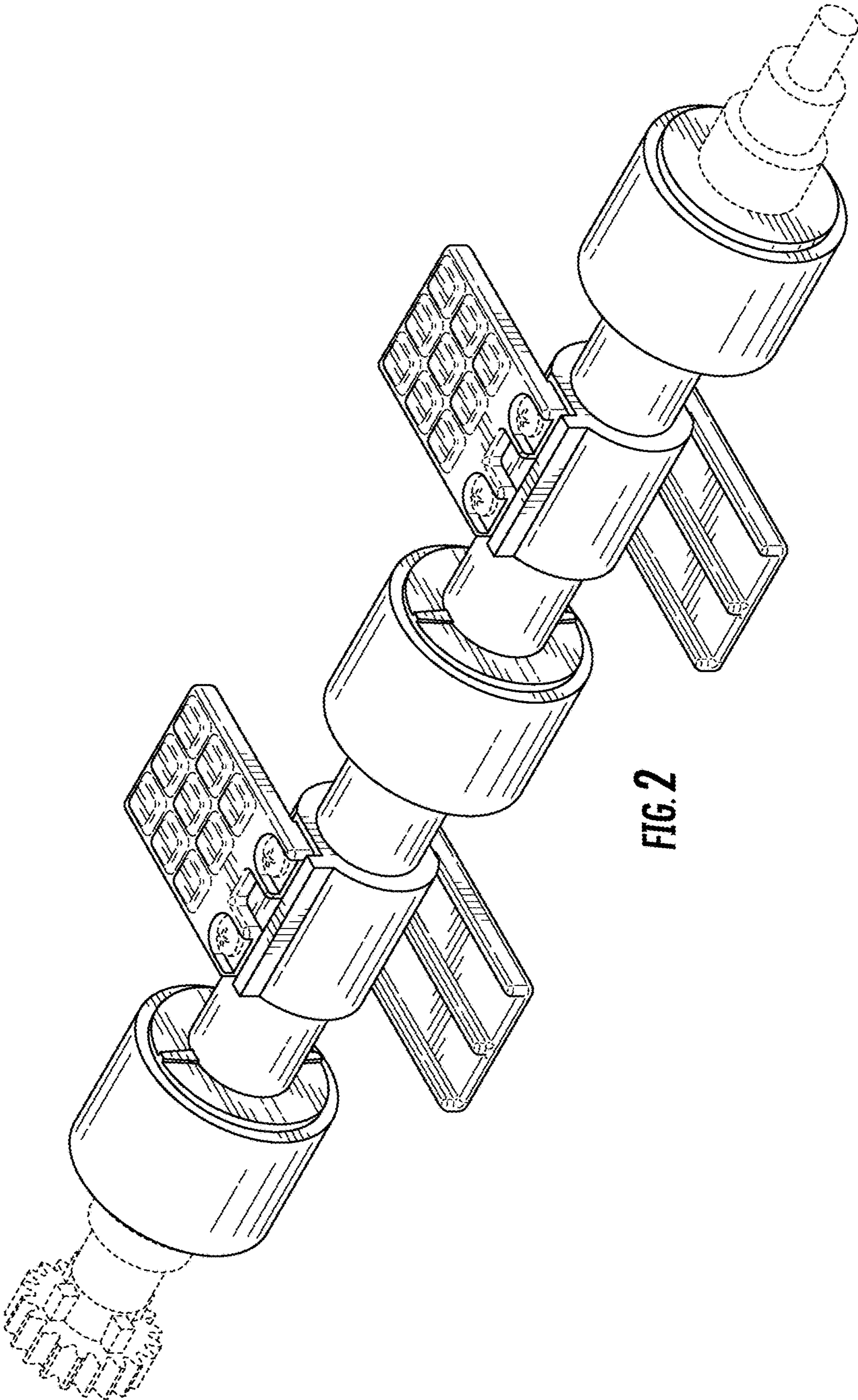


FIG. 2

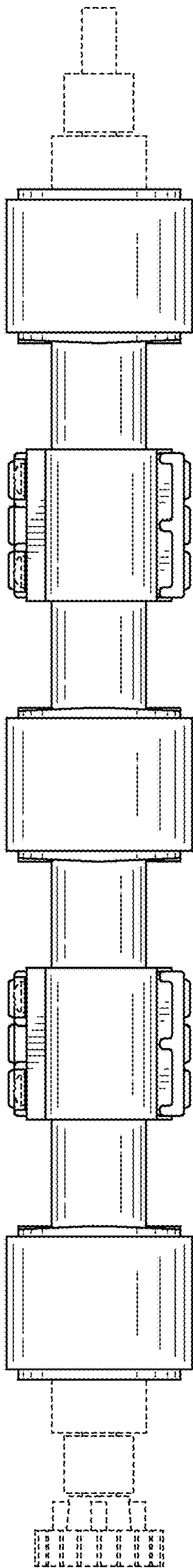


FIG. 3

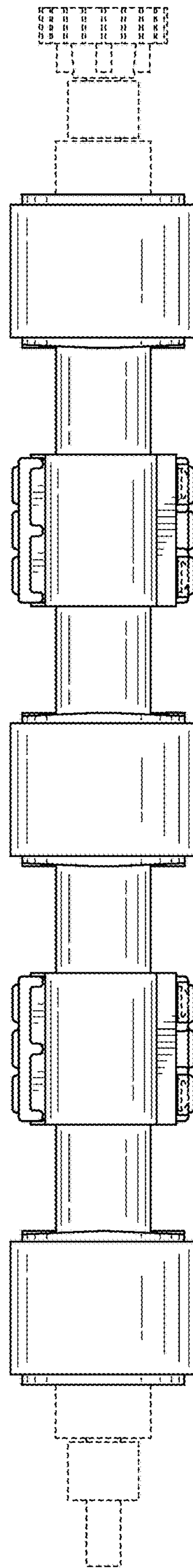
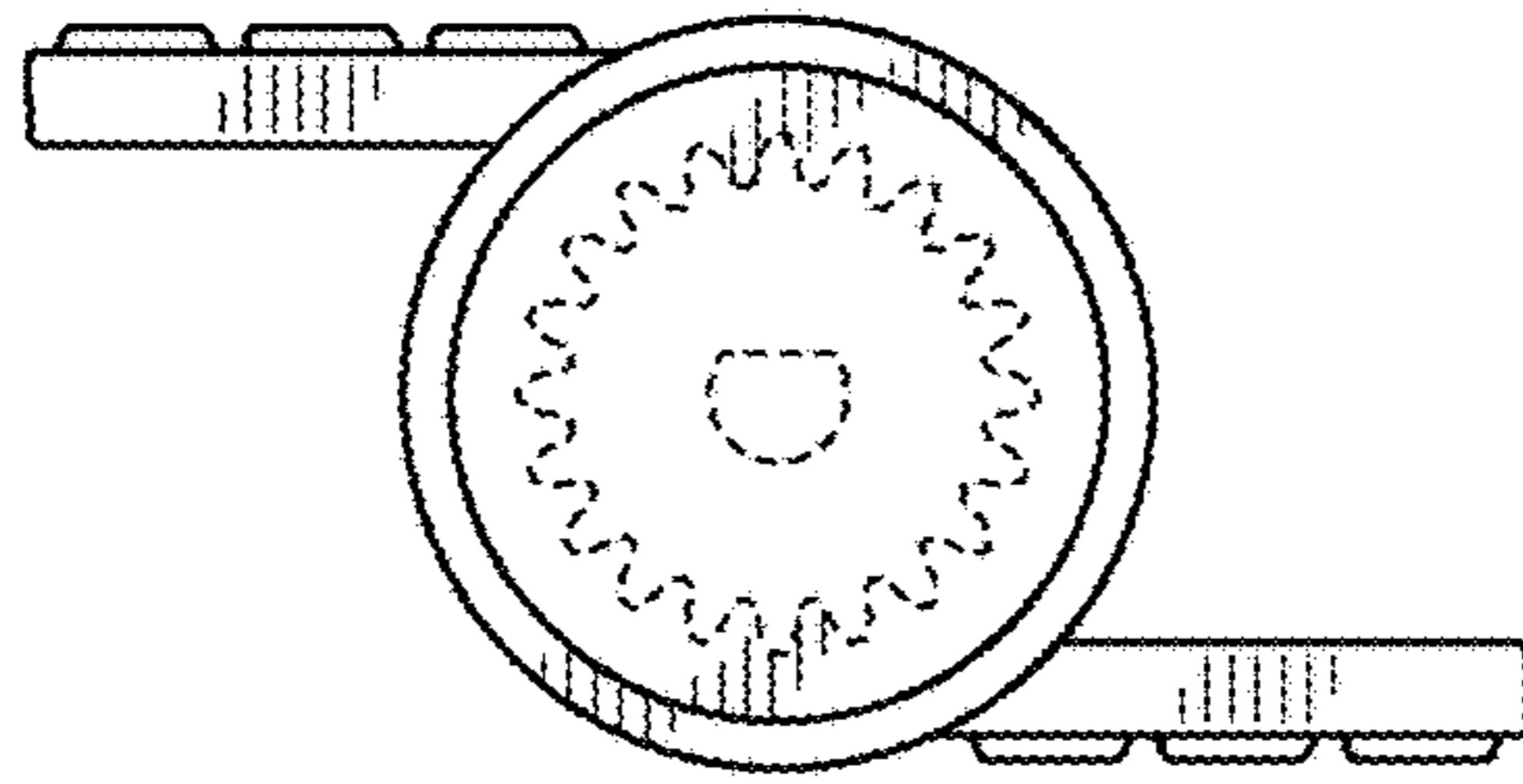
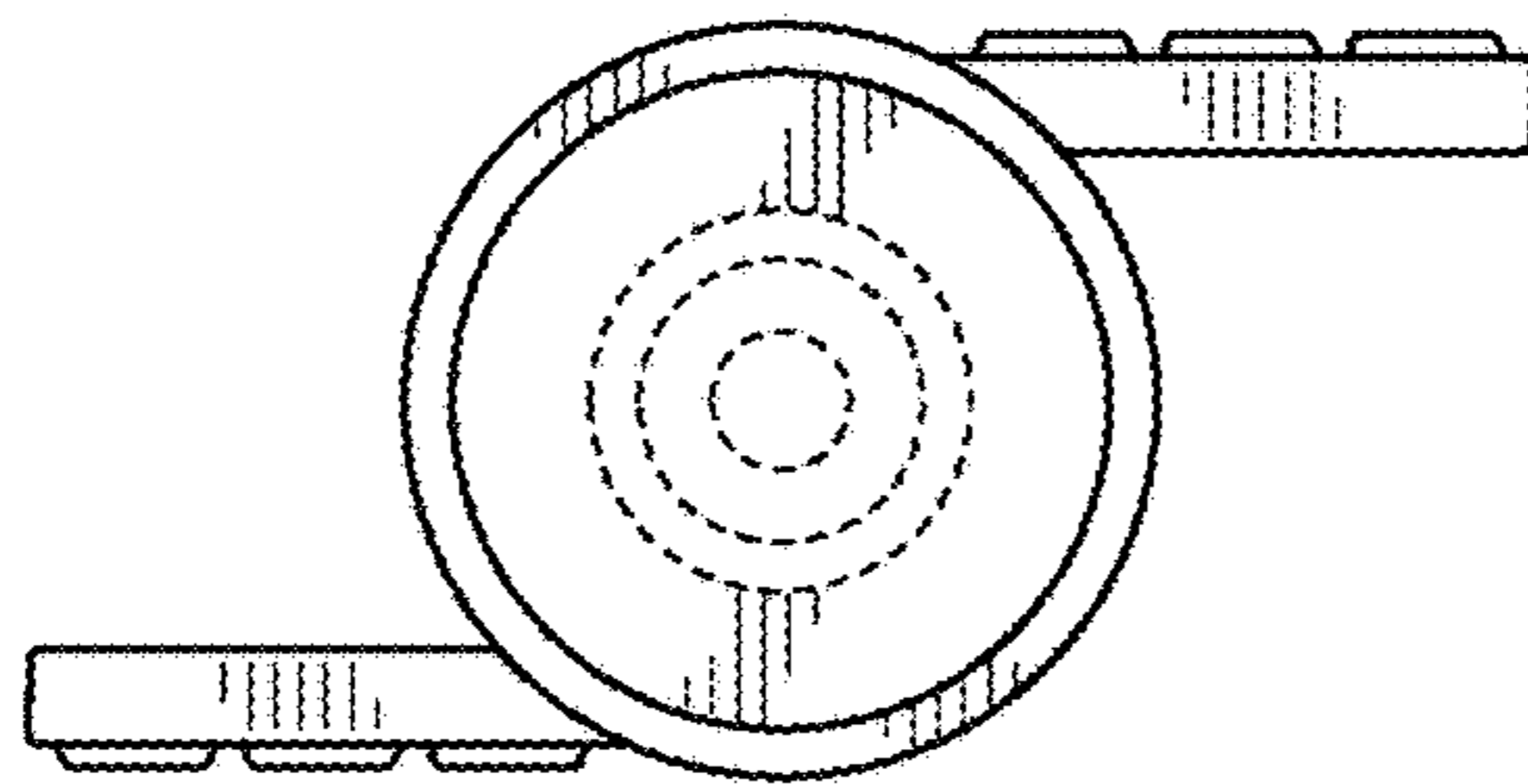


FIG. 4



**FIG. 5**



**FIG. 6**

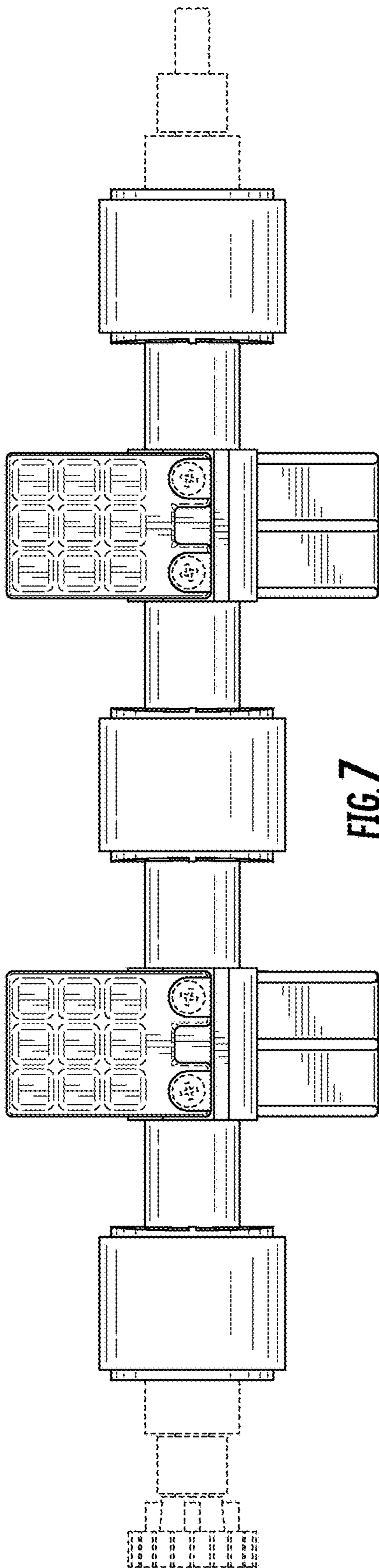


FIG. 7

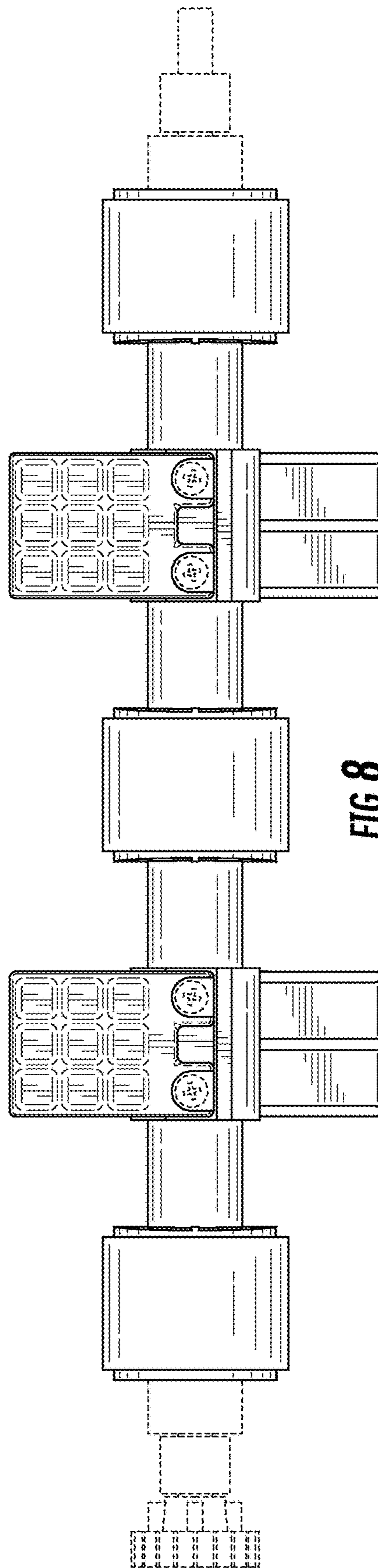


FIG. 8