



US00D854346S

(12) **United States Design Patent**  
**Lawrence et al.**

(10) **Patent No.:** **US D854,346 S**  
(45) **Date of Patent:** **\*\* Jul. 23, 2019**

- (54) **BENCH**
- (71) Applicant: **Keystone Ridge Designs, Inc.**, Butler, PA (US)
- (72) Inventors: **Michael Bryan Lawrence**, Wexford, PA (US); **Joshua D. Slear**, Butler, PA (US); **Carl A. Slear**, Butler, PA (US)
- (73) Assignee: **Keystone Ridge Designs, Inc.**, Butler, PA (US)
- (\*\*) Term: **15 Years**
- (21) Appl. No.: **29/667,291**
- (22) Filed: **Oct. 19, 2018**

**Related U.S. Application Data**

- (63) Continuation of application No. 16/164,235, filed on Oct. 18, 2018.
- (51) **LOC (11) Cl.** ..... **06-01**
- (52) **U.S. Cl.**  
USPC ..... **D6/370**
- (58) **Field of Classification Search**  
USPC ..... D6/334-336, 370, 374, 375, 376, 379, D6/380, 381, 716, 716.1, 716.2, 716.3, D6/716.4  
CPC .. A47C 4/02; A47C 4/03; A47C 4/024; A47C 4/028; A47C 7/16; A47C 11/00  
See application file for complete search history.

(56) **References Cited**

**U.S. PATENT DOCUMENTS**

- D67,030 S \* 4/1925 Haase ..... D6/370
- D185,540 S \* 6/1959 Everly ..... D6/370

- D215,839 S \* 11/1969 Wormser ..... D6/370
- D225,194 S \* 11/1972 Ruth ..... D6/370
- D240,097 S \* 6/1976 Box ..... D6/370
- D257,808 S \* 1/1981 Haggard ..... D6/370
- D299,595 S \* 1/1989 Shields ..... D6/335
- D313,128 S \* 12/1990 Serafini ..... D6/370
- D336,796 S \* 6/1993 Chang ..... D6/381
- D482,885 S \* 12/2003 Chipman ..... D6/370
- D655,534 S \* 3/2012 Hudson ..... D6/370
- D710,624 S \* 8/2014 Skalka ..... D6/370
- D711,661 S \* 8/2014 Vanderminden ..... D6/370
- D719,368 S \* 12/2014 Karasek ..... D6/370
- D719,752 S \* 12/2014 Karasek ..... D6/370

\* cited by examiner

*Primary Examiner* — Mimosa De

(74) *Attorney, Agent, or Firm* — The Webb Law Firm

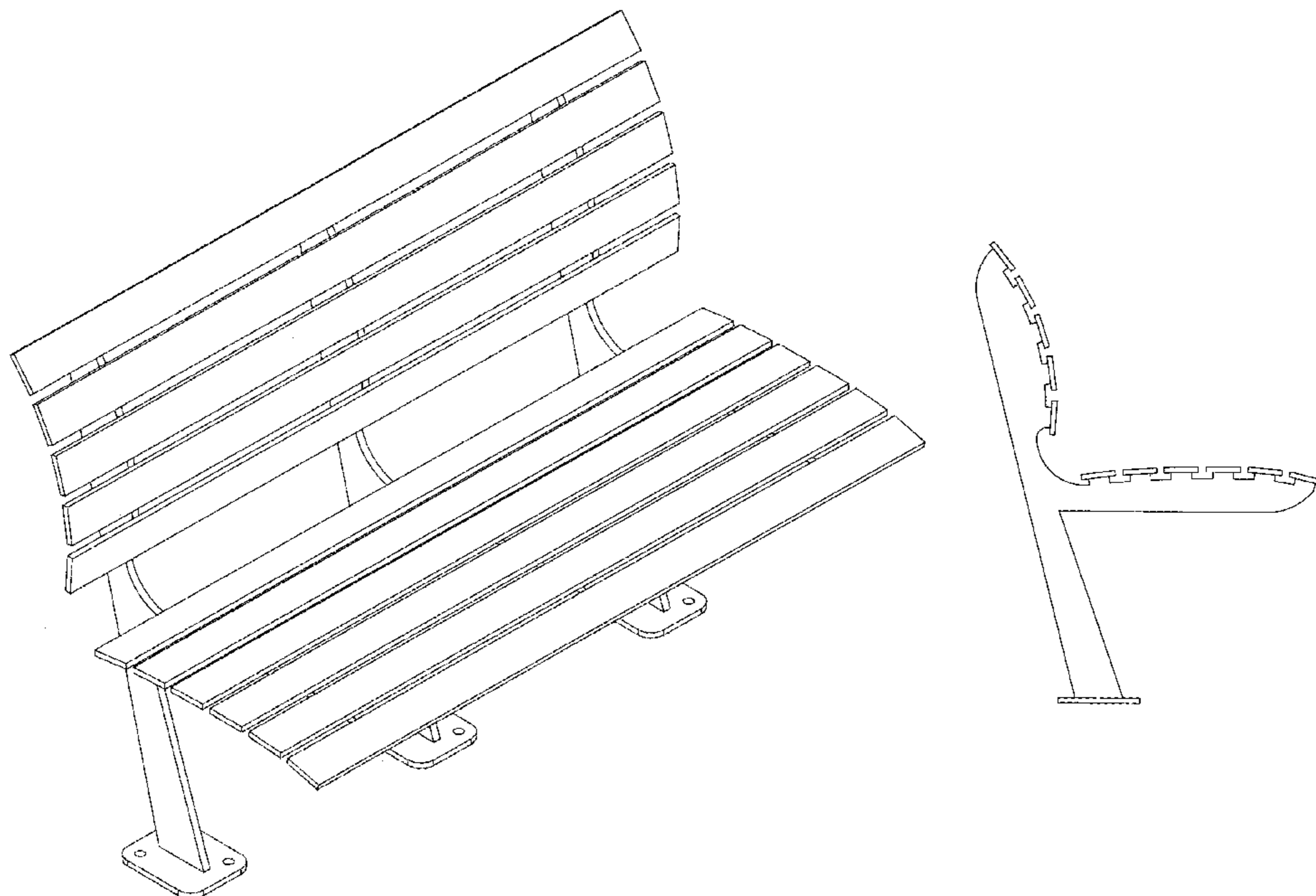
(57) **CLAIM**

The ornamental design for a bench, as shown and described.

**DESCRIPTION**

FIG. 1 is a perspective view of a bench in accordance with the subject invention;  
 FIG. 2 is a front view thereof;  
 FIG. 3 is a rear view thereof;  
 FIG. 4 is a top view thereof;  
 FIG. 5 is a bottom view thereof;  
 FIG. 6 is a side view of the bench looking from the left side in FIG. 2; and,  
 FIG. 7 is a side view of the bench looking from the right side in FIG. 2.

**1 Claim, 6 Drawing Sheets**



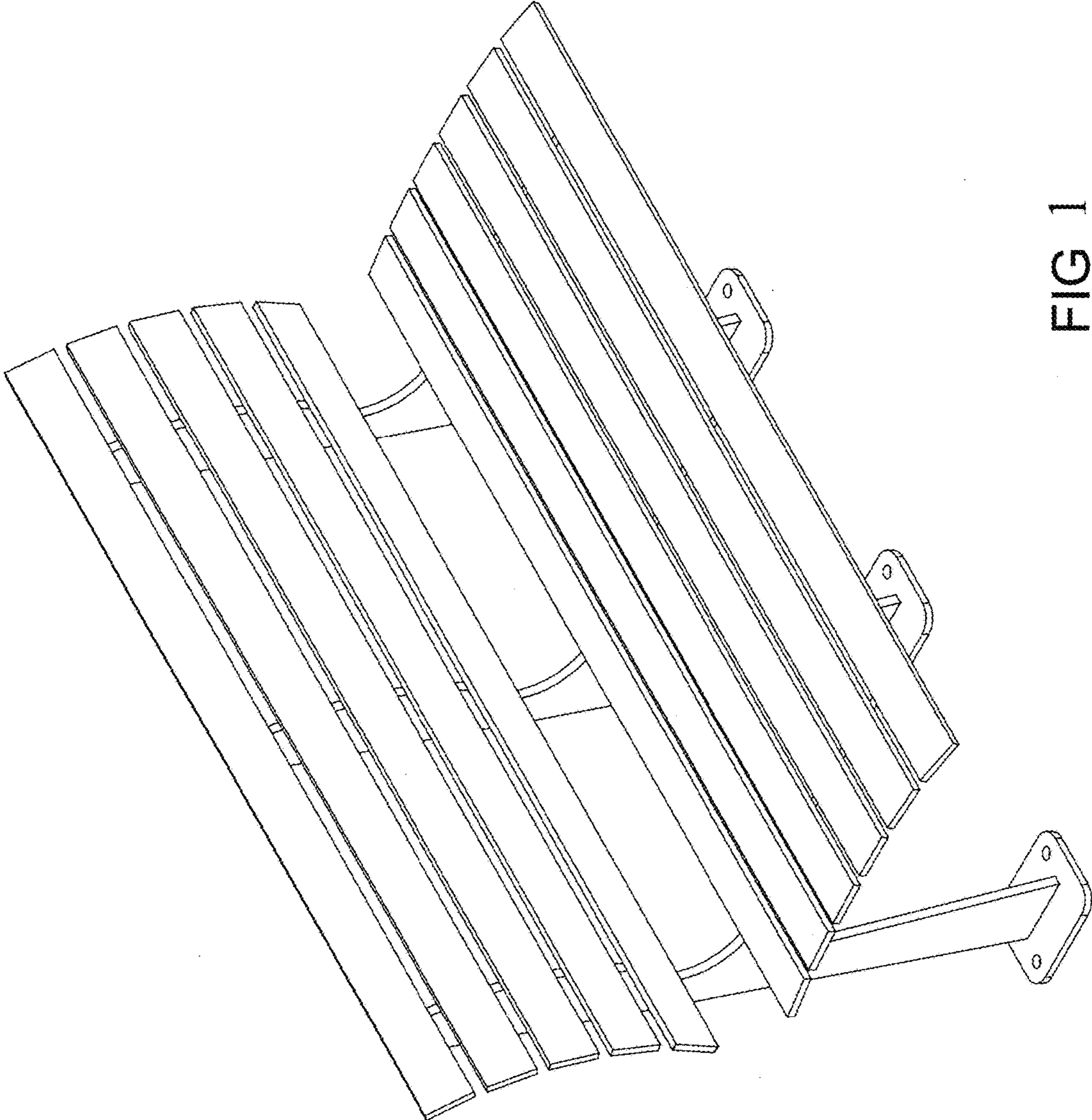


FIG 1

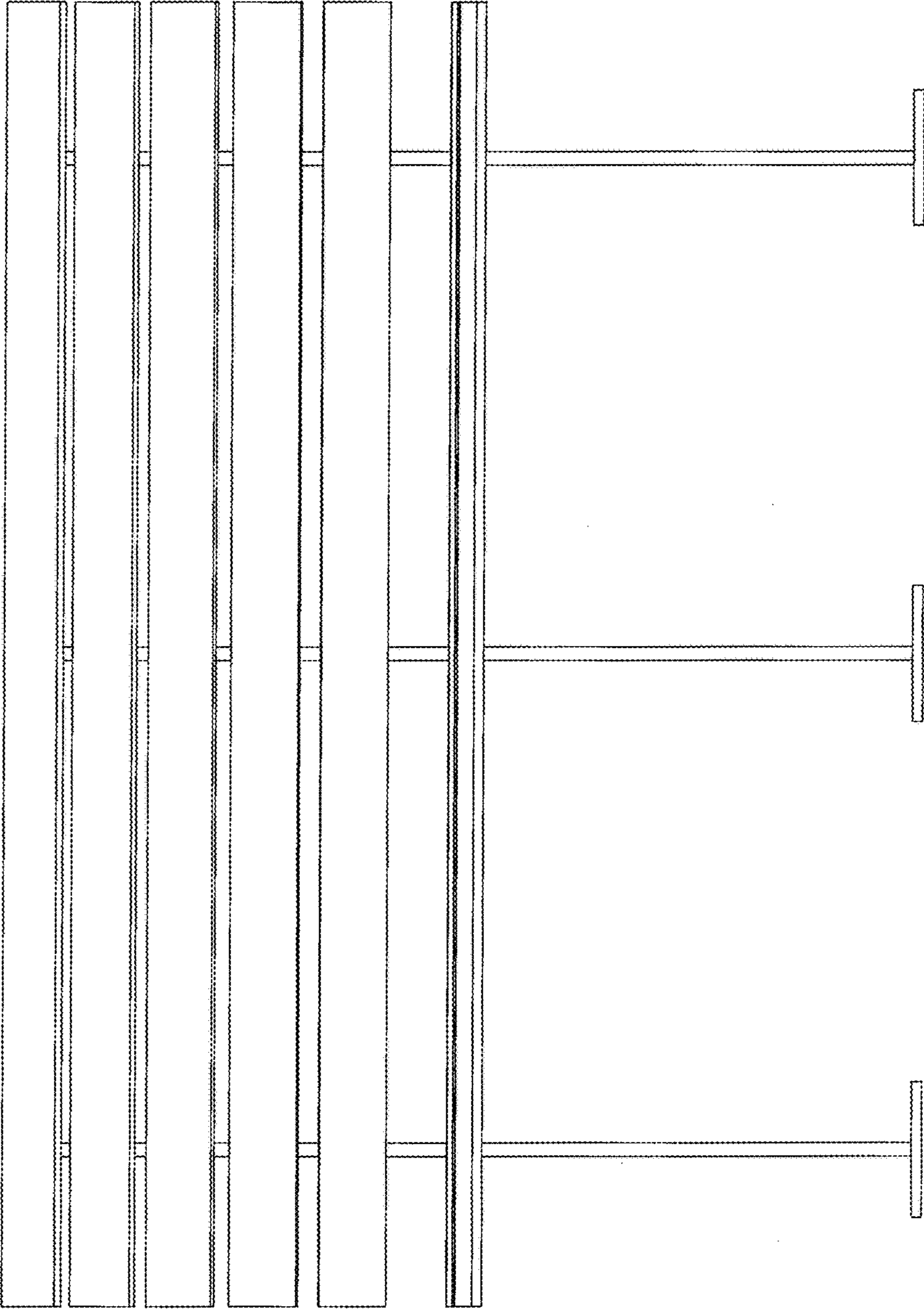


FIG 2

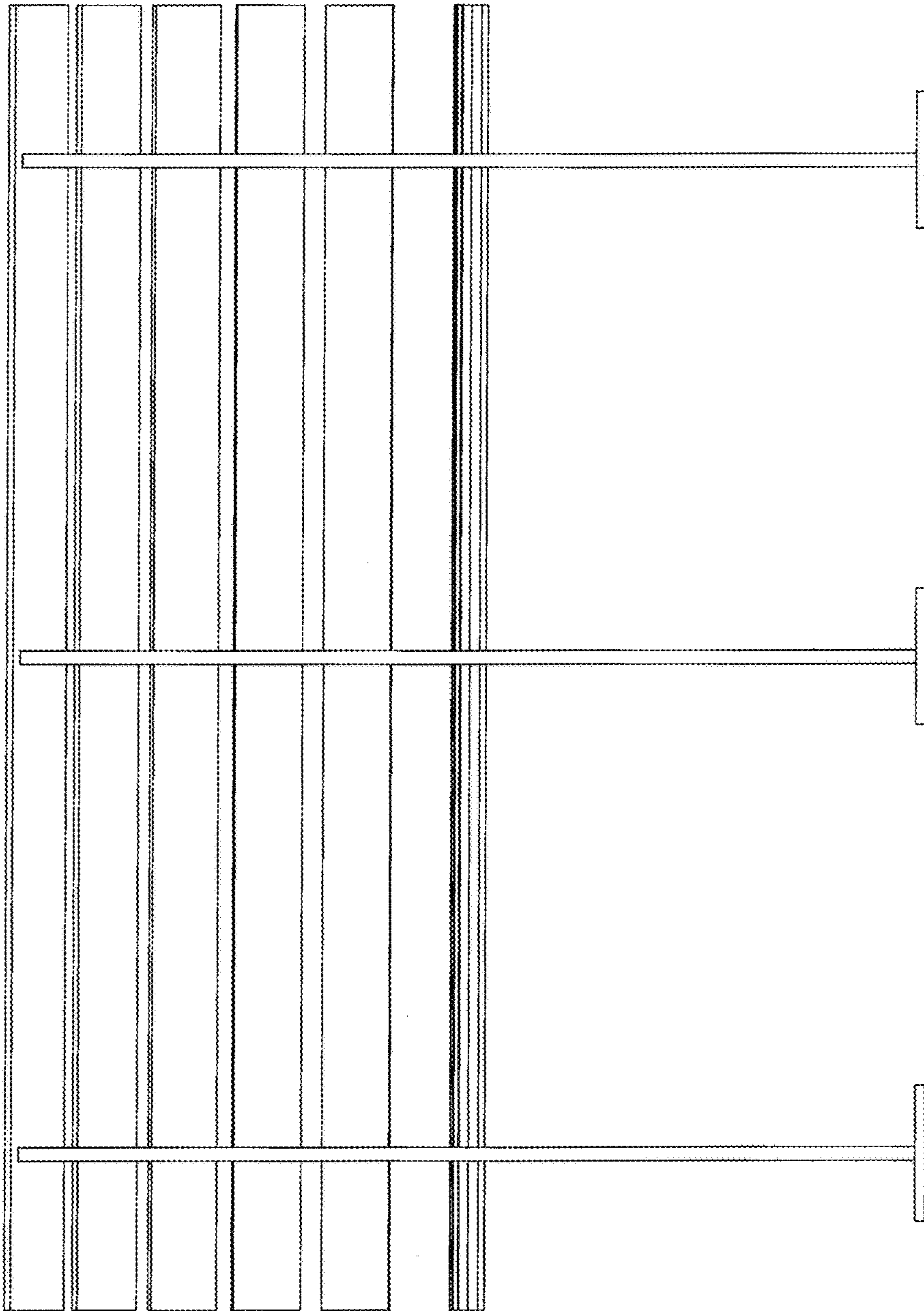


FIG 3

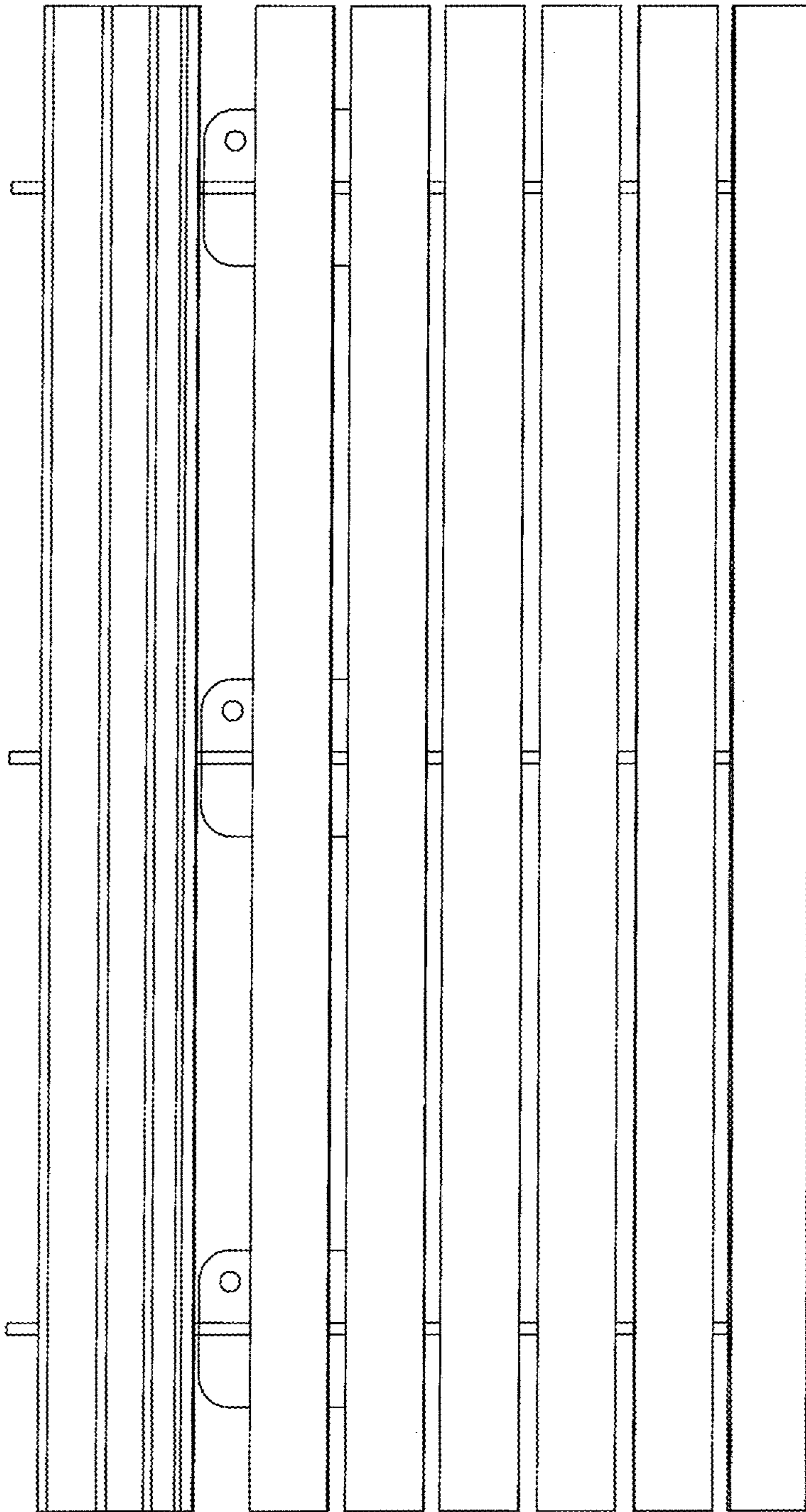


FIG 4

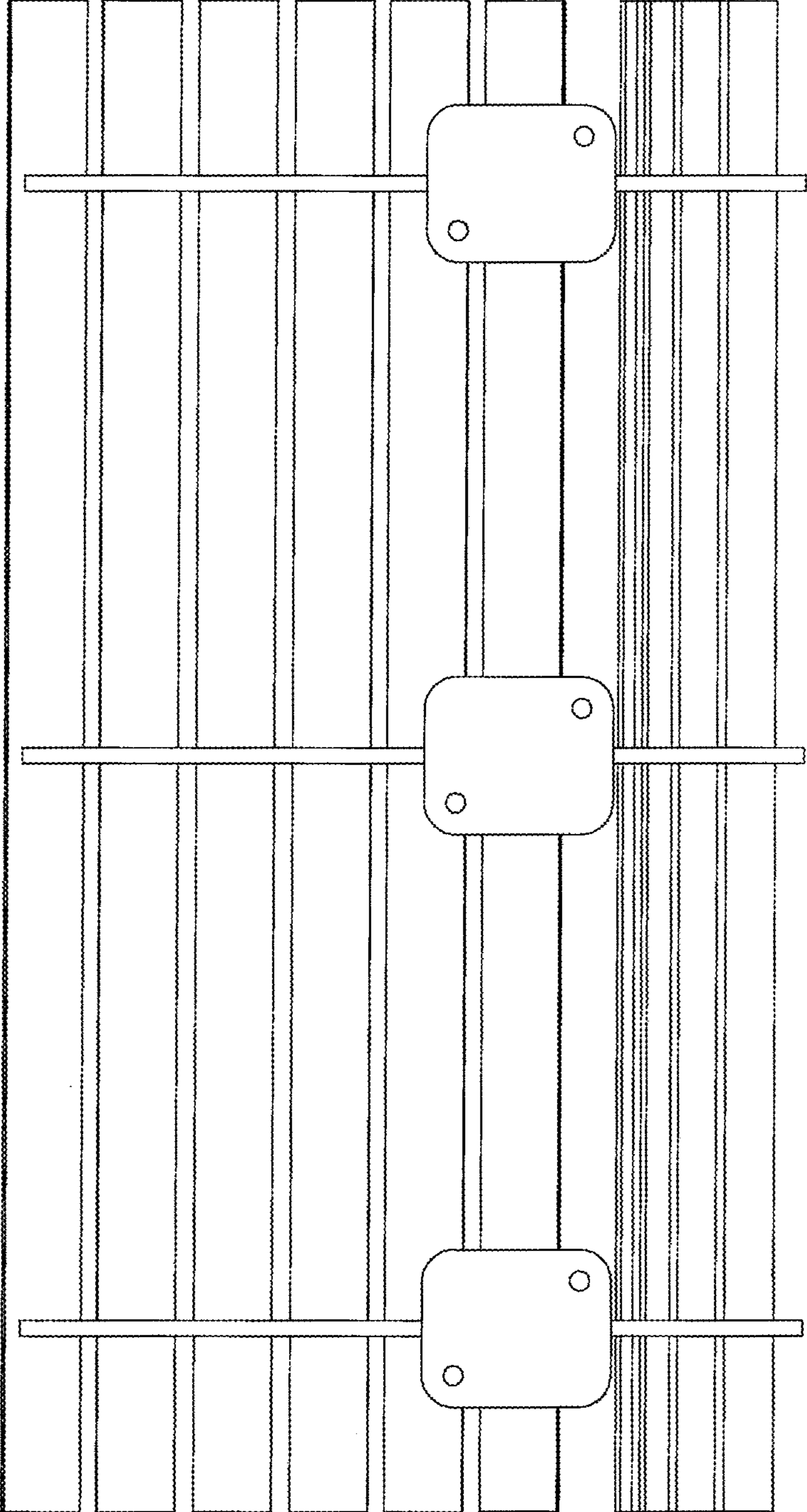


FIG 5

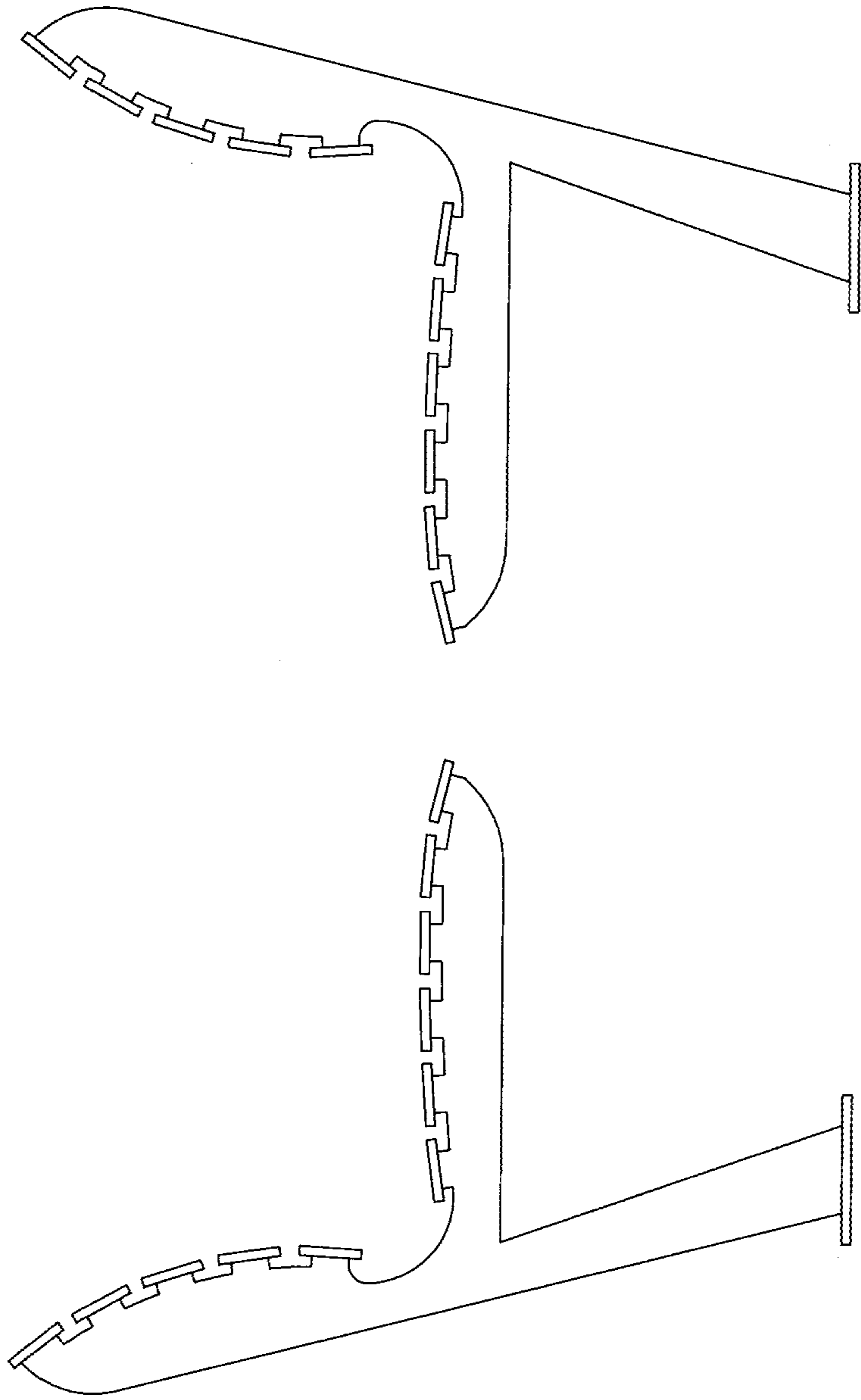


FIG 7

FIG 6