



US00D854330S

(12) **United States Design Patent** (10) **Patent No.:** **US D854,330 S**
Courtney et al. (45) **Date of Patent:** **** Jul. 23, 2019**

(54) **DENTAL APPLIANCE**

(56) **References Cited**

(71) Applicant: **Dyson Technology Limited**, Wiltshire (GB)

U.S. PATENT DOCUMENTS

(72) Inventors: **Stephen Benjamin Courtney**, Bath (GB); **Timothy Nicholas Stickney**, Gloucester (GB); **Thomas James Dunning Follows**, Swindon (GB); **William John Bex-Russell**, London (GB); **Jonathan George Marsh**, Swindon (GB); **Adam James Bates**, Oxford (GB); **Peter David Gammack**, Gloucester (GB)

1,051,815 A	1/1913	Morgan	
D84,131 S	5/1931	D'Ayrenx et al.	
1,847,495 A	3/1932	Priest	
1,959,601 A *	5/1934	Schulse	G04B 19/2534 362/809

2,036,706 A	4/1936	Law	
D113,432 S	2/1939	Newman	
2,318,460 A	5/1943	Brief	
D153,130 S	3/1949	Fischer	
2,490,185 A *	12/1949	Work	G09B 27/08 362/809

D197,763 S *	3/1964	Aymar	D4/101
3,370,415 A *	2/1968	McIlvaine	G04B 19/22 368/24

3,728,035 A *	4/1973	Reitknecht	A46B 11/0079 401/175
---------------	--------	------------------	-------------------------

3,734,106 A *	5/1973	Zimmerman	A46B 5/0095 132/311
---------------	--------	-----------------	------------------------

D230,654 S	3/1974	Fishbein	
D258,237 S	2/1981	Anspach	

4,277,194 A *	7/1981	Smith	A46B 11/0027 222/326
---------------	--------	-------------	-------------------------

D264,359 S *	5/1982	Grubb	D21/406
4,344,184 A	8/1982	Edwards	

D276,935 S	12/1984	Fattaleh	
4,761,138 A *	8/1988	Niesyn	G04B 19/26 434/136

D301,400 S	6/1989	Berendsen et al.	
4,949,875 A *	8/1990	Kuo	A46B 11/0006 222/156

D310,368 S	9/1990	Derhaag et al.	
D315,831 S	4/1991	Kawano	

D319,170 S	8/1991	Franke	
D320,275 S	9/1991	Wada et al.	

D321,285 S	11/1991	Hirabayashi	
5,062,728 A *	11/1991	Kuo	A46B 11/0017 401/150

D323,326 S	1/1992	Takawo	
D323,745 S	2/1992	Stuart	

D336,567 S	6/1993	Glover et al.	
5,303,109 A	4/1994	Takao	

5,349,480 A	9/1994	Takao	
D353,490 S	12/1994	Hartwein	

D354,168 S	1/1995	Hartwein	
5,379,271 A *	1/1995	Moedt	G04B 19/226 368/24

D357,016 S	4/1995	Li et al.	
D359,607 S	6/1995	Yun	

(73) Assignee: **Dyson Technology Limited**, Malmesbury, Wiltshire (GB)

(**) Term: **15 Years**

(21) Appl. No.: **29/602,379**

(22) Filed: **May 1, 2017**

(30) **Foreign Application Priority Data**

Nov. 2, 2016 (GB) 6002226

Nov. 2, 2016 (GB) 6002231

Nov. 2, 2016 (GB) 6002236

(51) **LOC (11) Cl.** **04-02**

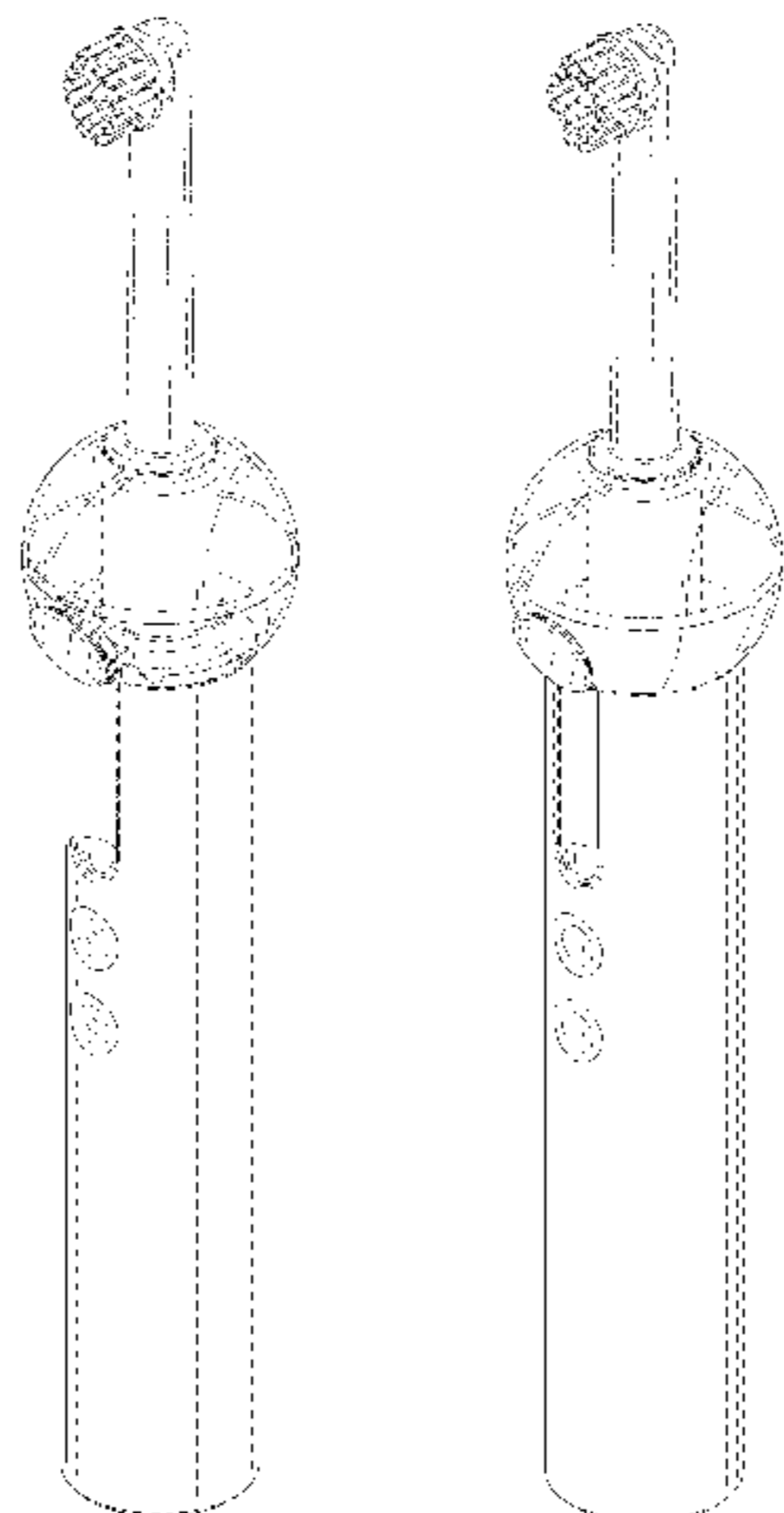
(52) **U.S. Cl.**
USPC **D4/101**

(58) **Field of Classification Search**

USPC D4/100, 101, 102, 104, 105, 106, 107, D4/108, 109, 110, 111, 112, 113, 114, D4/115, 116, 117, 118, 119, 120, 121, D4/122, 123, 124, 125, 126, 127, 128, D4/129, 130, 132, 133, 134, 136, 138, D4/199; D24/111, 127, 152, 177

CPC A46B 11/0062; A46B 13/04; A46B 2200/1066; A46B 11/00; A46B 13/00; A46B 15/0097

See application file for complete search history.



US D854,330 S

D379,472 S *	5/1997	Smith	D19/131	D556,455 S *	12/2007	Williams	D4/108
D384,207 S	9/1997	Underwood		D562,488 S	2/2008	Weiser	
D385,702 S	11/1997	Okada		D569,623 S	5/2008	Beedham	
D387,805 S *	12/1997	Hsu	D19/61	7,389,781 B2	6/2008	Kemp et al.	
D388,958 S	1/1998	Hartwein		D572,007 S *	7/2008	Lamason	D4/101
D393,016 S	3/1998	Young		D577,199 S	9/2008	Zhuan	
D396,957 S	8/1998	Allende		D579,664 S	11/2008	Fisher et al.	
5,815,872 A	10/1998	Meginniss, III et al.		D579,666 S	11/2008	Jamson	
D401,270 S *	11/1998	Cockram	D18/16	D580,173 S *	11/2008	Beedham	D4/101
D403,864 S	1/1999	Holland et al.		D583,052 S	12/2008	Kagawa	
D411,483 S	6/1999	Greene, Jr.		D586,125 S	2/2009	Winkler et al.	
D411,769 S	7/1999	Wright		D588,364 S	3/2009	Nanda	
D413,729 S	9/1999	Jansheski, Jr.		D589,255 S	3/2009	Taylor et al.	
D417,082 S *	11/1999	Classen	D24/111	7,527,446 B2 *	5/2009	Johnson Papa	A46B 11/001
D419,305 S	1/2000	Porter et al.					401/123
6,047,429 A *	4/2000	Wu	A61C 17/36	D595,366 S *	6/2009	Katzke	D21/713
			15/29	D595,771 S *	7/2009	Oas	D19/177
D423,784 S	5/2000	Joulin		D598,653 S *	8/2009	Crossman	D4/101
D428,704 S	8/2000	Wildman		D598,806 S	8/2009	Rosenkötter	
D433,232 S	11/2000	Stützer et al.		D599,555 S *	9/2009	Oliphant	D4/101
D433,813 S	11/2000	Stützer et al.		D612,611 S *	3/2010	Brown, Jr.	D4/101
D433,814 S	11/2000	Blaustein et al.		D621,455 S *	8/2010	Chernick	D21/398
D436,254 S	1/2001	Kling et al.		D627,971 S *	11/2010	Battaglia	D4/104
D440,766 S	4/2001	Hartwein et al.		D634,547 S	3/2011	Botelho	
6,220,772 B1 *	4/2001	Taylor	A61C 17/227	D636,604 S	4/2011	Zhuan	
			401/150	D637,817 S	5/2011	Smith	
D445,831 S *	7/2001	Lindner	D19/162	D645,922 S *	9/2011	Wu	D21/398
D446,022 S	8/2001	Vonarburg et al.		D649,787 S	12/2011	Ivarsson	
D451,244 S	11/2001	Chen et al.		D657,954 S *	4/2012	Gebski	D4/101
6,332,233 B1 *	12/2001	Proulx	A46B 5/02	D658,883 S	5/2012	Winkler et al.	
			15/143.1	D669,274 S	10/2012	Meurrens	
D453,996 S	3/2002	Kling et al.		D669,978 S	10/2012	Gebski et al.	
D455,010 S	4/2002	Kling		8,317,424 B2 *	11/2012	Chenvainu	A61C 1/0061
D455,556 S	4/2002	Kling					401/188 R
D456,608 S	5/2002	Lim		D673,225 S *	12/2012	Heidrich	D21/400
D456,996 S *	5/2002	McCurrach	D4/101	8,434,190 B2 *	5/2013	Stief	A46B 3/16
D458,028 S	6/2002	McCurrach					15/167.1
D458,029 S	6/2002	Li		8,444,416 B2 *	5/2013	Chenvainu	A46B 11/0079
6,422,974 B1 *	7/2002	Schimmel	A63B 23/16				15/167.1
			446/15	D688,464 S	8/2013	Hara	
D462,174 S	9/2002	Schaber		D688,877 S	9/2013	Li	
6,461,164 B1 *	10/2002	Ramelli	A46B 5/00	D689,125 S	9/2013	Lochen	
			15/167.1	D689,698 S	9/2013	Dickie et al.	
D465,279 S	11/2002	Etter et al.		D690,369 S *	9/2013	Wu	D21/464
D468,422 S *	1/2003	McCurrach	D24/111	D693,581 S *	11/2013	Ballmaier	D4/104
D476,156 S	6/2003	Ferber et al.		D694,524 S	12/2013	Erskine-Smith	
D477,716 S	7/2003	Roberson		D696,024 S *	12/2013	Shigeno	D4/101
D478,212 S *	8/2003	Winkler	D4/104	D696,517 S *	12/2013	Gebski	D4/101
D478,214 S *	8/2003	Winkler	D4/104	D701,388 S	3/2014	Chuanzhou et al.	
D478,423 S	8/2003	Mulder et al.		D702,946 S *	4/2014	Shigeno	D4/101
D483,182 S	12/2003	Blaustein et al.		D704,337 S	5/2014	Dunn	
D487,911 S *	3/2004	Cheney	D21/713	D706,033 S	6/2014	Dickie et al.	
D492,717 S	7/2004	Cohen		D707,764 S *	6/2014	Deveaux	D21/713
D492,996 S *	7/2004	Rehkemper	D24/111	D708,440 S *	7/2014	Owen	D4/102
6,766,549 B2 *	7/2004	Klupt	A61C 17/28	D711,988 S *	8/2014	Gubany	D21/709
			15/22.1	D712,988 S *	9/2014	Sagedahl	D21/713
D497,481 S	10/2004	Porter et al.		D713,391 S	9/2014	Ibuki et al.	
D499,554 S *	12/2004	Ramelli	D4/107	D718,056 S	11/2014	Massee et al.	
D500,136 S	12/2004	Rehkemper et al.		D718,057 S	11/2014	Massee et al.	
D500,209 S	12/2004	Kellogg		D719,737 S	12/2014	Adriaenssen et al.	
D500,599 S	1/2005	Callaghan		D724,679 S *	3/2015	Martyn	D21/707
D501,605 S *	2/2005	Brown, Jr.	D4/101	D727,445 S *	4/2015	Viramontez	D21/713
D503,852 S	4/2005	Hensel		9,039,642 B2	5/2015	Lee	
D504,911 S *	5/2005	Ng	D19/135	D735,280 S *	7/2015	O'Malley	D21/713
D508,776 S	8/2005	Kling et al.		D736,870 S *	8/2015	Nagi	D21/707
D509,362 S	9/2005	Maeda		D738,968 S *	9/2015	Oz	D21/659
7,007,331 B2	3/2006	Davics et al.		D741,423 S *	10/2015	Holland	D21/713
D521,681 S *	5/2006	Xu	D21/713	9,154,025 B2	10/2015	Schaefer et al.	
D527,187 S	8/2006	Ramelli		D742,649 S	11/2015	Thompson	
D527,527 S *	9/2006	Ramelli	D4/107	D749,851 S	2/2016	Watkins	
D528,176 S *	9/2006	Milliken	D21/713	D749,852 S	2/2016	Since	
D531,240 S *	10/2006	Geisendorfer	D21/713	9,265,334 B1	2/2016	Fung-A-Wing	
D531,811 S	11/2006	Cochran		D751,821 S	3/2016	Since	
D532,974 S	12/2006	Zhuan		D752,868 S	4/2016	McGarry et al.	
D533,720 S	12/2006	Vu		D757,439 S	5/2016	Shigeno et al.	
D534,728 S	1/2007	Vu		D758,079 S	6/2016	Since	
D541,049 S *	4/2007	Huang	D28/63	D758,080 S	6/2016	Since	
D549,209 S	8/2007	Bauman et al.		D758,736 S *	6/2016	Shigeno	D4/101
D556,453 S	12/2007	Sprosta et al.		D759,382 S *	6/2016	Watkins	D4/101

D761,567 S *	7/2016	Uchida	D4/101	TOOTHBRUSH-flosses-teeth-water-clean-them.html>. (5 pgs) (Year: 2016).*
D766,580 S	9/2016	Kollar et al.		Courtney et al., U.S. Office Action dated May 16, 2018, directed to U.S. Appl. No. 29/602,343; 9 pages.
D766,581 S *	9/2016	Bloch	D4/101	Courtney et al., U.S. Office Action dated May 16, 2018, directed to U.S. Appl. No. 29/602,351; 9 pages.
D767,895 S	10/2016	Stebila et al.		Courtney et al., U.S. Office Action dated May 16, 2018, directed to U.S. Appl. No. 29/602,360; 7 pages.
D768,386 S	10/2016	Demarest et al.		Courtney et al., U.S. Office Action dated Apr. 19, 2018, directed to U.S. Appl. No. 29/602,366; 14 pages.
D773,192 S	12/2016	Nabavi		Courtney et al., U.S. Office Action dated Apr. 20, 2018, directed to U.S. Appl. No. 29/602,376; 16 pages.
D773,822 S *	12/2016	Sikora	D4/101	Courtney et al., U.S. Office Action dated Apr. 19, 2018, directed to U.S. Appl. No. 29/602,381; 17 pages.
D774,144 S *	12/2016	Fjelstad	D21/373	Courtney et al., U.S. Office Action dated May 18, 2018, directed to U.S. Appl. No. 29/602,340; 13 pages.
D775,288 S *	12/2016	Spiegler	D21/713	Courtney et al., U.S. Office Action dated May 18, 2018, directed to U.S. Appl. No. 29/602,342; 12 pages.
D777,442 S	1/2017	White et al.		Courtney et al., U.S. Office Action dated May 16, 2018, directed to U.S. Appl. No. 29/602,345; 9 pages.
D780,456 S	3/2017	Shigeno et al.		Courtney et al., U.S. Office Action dated May 16, 2018, directed to U.S. Appl. No. 29/602,349; 9 pages.
D787,189 S *	5/2017	Fretwell	D4/101	Courtney et al., U.S. Office Action dated May 16, 2018, directed to U.S. Appl. No. 29/602,319; 6 pages.
9,668,598 B2 *	6/2017	Wartersian	A47G 21/04	Courtney et al., U.S. Office Action dated May 16, 2018, directed to U.S. Appl. No. 29/602,320; 6 pages.
D790,859 S	7/2017	McGarry et al.		Courtney et al., U.S. Office Action dated May 16, 2018, directed to U.S. Appl. No. 29/602,323; 7 pages.
D790,861 S	7/2017	Demarest et al.		Courtney et al., U.S. Office Action dated May 16, 2018, directed to U.S. Appl. No. 29/602,326; 7 pages.
D791,485 S	7/2017	McGarry et al.		Courtney et al., U.S. Office Action dated Apr. 23, 2018, directed to U.S. Appl. No. 29/602,389; 16 pages.
9,700,129 B2 *	7/2017	Follows	A61C 17/0202	Courtney et al., U.S. Office Action dated Feb. 23, 2018, directed to U.S. Appl. No. 29/602,395; 10 pages.
D795,419 S	8/2017	Kohler		Courtney et al., U.S. Office Action dated Feb. 23, 2018, directed to U.S. Appl. No. 29/602,397; 10 pages.
9,743,749 B2	8/2017	Follows et al.		Courtney et al., U.S. Office Action dated Apr. 20, 2018, directed to U.S. Appl. No. 29/602,387; 17 pages.
D798,060 S *	9/2017	Shigeno	D4/101	Courtney et al., U.S. Office Action dated Apr. 20, 2018, directed to U.S. Appl. No. 29/602,390; 17 pages.
D799,217 S *	10/2017	Massee	D4/101	Courtney et al., U.S. Office Action dated Mar. 8, 2018, directed to U.S. Appl. No. 29/602,391; 12 pages.
D799,756 S	10/2017	Fox		Courtney et al., U.S. Office Action dated Mar. 8, 2018, directed to U.S. Appl. No. 29/602,393; 9 pages.
D801,696 S	11/2017	McGarry et al.		Courtney et al., U.S. Office Action dated Feb. 22, 2018, directed to U.S. Appl. No. 29/602,394; 16 pages.
9,814,302 B2	11/2017	Follows et al.		Courtney et al., U.S. Office Action dated Feb. 22, 2018, directed to U.S. Appl. No. 29/602,396; 17 pages.
9,820,563 B2	11/2017	Follows et al.		Courtney et al., U.S. Office Action dated Feb. 22, 2018, directed to U.S. Appl. No. 29/602,396; 17 pages.
D804,918 S	12/2017	Lipford		Courtney et al., U.S. Office Action dated Feb. 22, 2018, directed to U.S. Appl. No. 29/602,402; 20 pages.
D806,228 S	12/2017	Yan		Courtney et al., U.S. Office Action dated Feb. 22, 2018, directed to U.S. Appl. No. 29/602,403; 20 pages.
9,839,284 B2	12/2017	Follows et al.		Courtney et al., U.S. Office Action dated Feb. 21, 2018, directed to U.S. Appl. No. 29/602,405; 7 pages.
D810,513 S	2/2018	McCoy et al.		Courtney et al., U.S. Office Action dated Feb. 21, 2018, directed to U.S. Appl. No. 29/602,407; 7 pages.
D814,195 S	4/2018	Sikora et al.		Courtney et al., U.S. Office Action dated Feb. 21, 2018, directed to U.S. Appl. No. 29/602,407; 7 pages.
2001/0034917 A1	11/2001	DuCey		Courtney et al., U.S. Office Action dated Feb. 22, 2018, directed to U.S. Appl. No. 29/602,409; 16 pages.
2004/0187889 A1	9/2004	Kemp et al.		Courtney et al., U.S. Office Action dated Feb. 23, 2018, directed to U.S. Appl. No. 29/602,411; 17 pages.
2006/0078844 A1 *	4/2006	Goldman	A61C 1/0084 433/80	Courtney et al., U.S. Office Action dated May 17, 2018, directed to U.S. Appl. No. 29/602,327; 14 pages.
2006/0133885 A1 *	6/2006	Kaminski	A46B 11/0058 401/125	Courtney et al., U.S. Office Action dated Apr. 25, 2018, directed to U.S. Appl. No. 29/602,330; 10 pages.
2009/0007357 A1	1/2009	Meadows et al.		Courtney et al., U.S. Office Action dated Apr. 25, 2018, directed to U.S. Appl. No. 29/602,339; 11 pages.
2012/0272468 A1	11/2012	Weisman et al.		Courtney et al., U.S. Office Action dated Feb. 21, 2018, directed to U.S. Appl. No. 29/602,416; 8 pages.
2013/0007969 A1	1/2013	Driesen et al.		Courtney et al., U.S. Office Action dated Feb. 21, 2018, directed to U.S. Appl. No. 29/602,418; 8 pages.
2013/0091645 A1	4/2013	Suwanbutr		Courtney et al., U.S. Office Action dated May 18, 2018, directed to U.S. Appl. No. 29/602,355; 12 pages.
2014/0246049 A1	9/2014	Ikink et al.		
2014/0259474 A1 *	9/2014	Sokol	A61C 17/0202 15/22.2	
2015/0150664 A1 *	6/2015	Crossman	A61C 17/3418 15/22.1	
2015/0230898 A1	8/2015	Miller		
2015/0310763 A1	10/2015	Miller et al.		
2016/0015163 A1	1/2016	Newman et al.		
2016/0157596 A1	6/2016	Fifield		
2016/0331113 A1	11/2016	Follows et al.		
2016/0331114 A1	11/2016	Follows et al.		
2016/0331115 A1	11/2016	Follows et al.		
2016/0331116 A1	11/2016	Follows et al.		
2016/0331117 A1	11/2016	Follows et al.		
2016/0331497 A1	11/2016	Follows et al.		
2016/0331498 A1	11/2016	Follows et al.		
2017/0119510 A1	5/2017	Tomori et al.		
2018/0021116 A1	1/2018	Störkel et al.		
2018/0055212 A1	3/2018	Follows et al.		
2018/0084898 A1	3/2018	Vincent et al.		
2018/0085207 A1	3/2018	Tweedie et al.		

FOREIGN PATENT DOCUMENTS

CN	304361403	*	11/2017
GB	2538299 A	*	11/2016
GB	2538308 A	*	11/2016
GB	2538309 A	*	11/2016
JP	1595568	*	1/2018
JP	1595649	*	1/2018
WO	WO-2005/076818 A2	*	8/2005

OTHER PUBLICATIONS

“Dyson’s next device could be a smart Toothbrush . . . ” by Harry Pettit [on-line]. Published Nov. 24, 2016; updated Dec. 1, 2016; retrieved from Internet Apr. 14, 2018. URL: <<http://www.dailymail.co.uk/sciencetech/article-3968756/Dyson-s-invention-smart->

TOOTHBRUSH-flosses-teeth-water-clean-them.html>. (5 pgs) (Year: 2016).*

Courtney et al., U.S. Office Action dated May 16, 2018, directed to U.S. Appl. No. 29/602,343; 9 pages.

Courtney et al., U.S. Office Action dated May 16, 2018, directed to U.S. Appl. No. 29/602,351; 9 pages.

Courtney et al., U.S. Office Action dated May 16, 2018, directed to U.S. Appl. No. 29/602,360; 7 pages.

Courtney et al., U.S. Office Action dated Apr. 19, 2018, directed to U.S. Appl. No. 29/602,366; 14 pages.

Courtney et al., U.S. Office Action dated Apr. 20, 2018, directed to U.S. Appl. No. 29/602,376; 16 pages.

Courtney et al., U.S. Office Action dated Apr. 19, 2018, directed to U.S. Appl. No. 29/602,381; 17 pages.

Courtney et al., U.S. Office Action dated May 18, 2018, directed to U.S. Appl. No. 29/602,340; 13 pages.

Courtney et al., U.S. Office Action dated May 18, 2018, directed to U.S. Appl. No. 29/602,342; 12 pages.

Courtney et al., U.S. Office Action dated May 16, 2018, directed to U.S. Appl. No. 29/602,345; 9 pages.

Courtney et al., U.S. Office Action dated May 16, 2018, directed to U.S. Appl. No. 29/602,349; 9 pages.

Courtney et al., U.S. Office Action dated May 16, 2018, directed to U.S. Appl. No. 29/602,319; 6 pages.

Courtney et al., U.S. Office Action dated May 16, 2018, directed to U.S. Appl. No. 29/602,320; 6 pages.

Courtney et al., U.S. Office Action dated May 16, 2018, directed to U.S. Appl. No. 29/602,323; 7 pages.

Courtney et al., U.S. Office Action dated May 16, 2018, directed to U.S. Appl. No. 29/602,326; 7 pages.

Courtney et al., U.S. Office Action dated Apr. 23, 2018, directed to U.S. Appl. No. 29/602,389; 16 pages.

Courtney et al., U.S. Office Action dated Feb. 23, 2018, directed to U.S. Appl. No. 29/602,395; 10 pages.

Courtney et al., U.S. Office Action dated Feb. 23, 2018, directed to U.S. Appl. No. 29/602,397; 10 pages.

Courtney et al., U.S. Office Action dated Apr. 20, 2018, directed to U.S. Appl. No. 29/602,387; 17 pages.

Courtney et al., U.S. Office Action dated Apr. 20, 2018, directed to U.S. Appl. No. 29/602,390; 17 pages.

Courtney et al., U.S. Office Action dated Mar. 8, 2018, directed to U.S. Appl. No. 29/602,391; 12 pages.

Courtney et al., U.S. Office Action dated Mar. 8, 2018, directed to U.S. Appl. No. 29/602,393; 9 pages.

Courtney et al., U.S. Office Action dated Feb. 22, 2018, directed to U.S. Appl. No. 29/602,394; 16 pages.

Courtney et al., U.S. Office Action dated Feb. 22, 2018, directed to U.S. Appl. No. 29/602,396; 17 pages.

Courtney et al., U.S. Office Action dated Feb. 22, 2018, directed to U.S. Appl. No. 29/602,402; 20 pages.

Courtney et al., U.S. Office Action dated Feb. 22, 2018, directed to U.S. Appl. No. 29/602,403; 20 pages.

Courtney et al., U.S. Office Action dated Feb. 21, 2018, directed to U.S. Appl. No. 29/602,405; 7 pages.

Courtney et al., U.S. Office Action dated Feb. 21, 2018, directed to U.S. Appl. No. 29/602,407; 7 pages.

Courtney et al., U.S. Office Action dated Feb. 22, 2018, directed to U.S. Appl. No. 29/602,409; 16 pages.

Courtney et al., U.S. Office Action dated Feb. 23, 2018, directed to U.S. Appl. No. 29/602,411; 17 pages.

Courtney et al., U.S. Office Action dated May 17, 2018, directed to U.S. Appl. No. 29/602,327; 14 pages.

Courtney et al., U.S. Office Action dated Apr. 25, 2018, directed to U.S. Appl. No. 29/602,330; 10 pages.

Courtney et al., U.S. Office Action dated Apr. 25, 2018, directed to U.S. Appl. No. 29/602,339; 11 pages.

Courtney et al., U.S. Office Action dated Feb. 21, 2018, directed to U.S. Appl. No. 29/602,416; 8 pages.

Courtney et al., U.S. Office Action dated Feb. 21, 2018, directed to U.S. Appl. No. 29/602,418; 8 pages.

Courtney et al., U.S. Office Action dated May 18, 2018, directed to U.S. Appl. No. 29/602,355; 12 pages.

Courtney et al., U.S. Office Action dated May 18, 2018, directed to U.S. Appl. No. 29/602,357; 11 pages.
 Courtney et al., U.S. Office Action dated Apr. 19, 2018, directed to U.S. Appl. No. 29/602,367; 13 pages.
 Courtney et al., U.S. Office Action dated May 25, 2018, directed to U.S. Appl. No. 29/602,422; 15 pages.
 Courtney et al., U.S. Office Action dated Apr. 19, 2018, directed to U.S. Appl. No. 29/602,370; 16 pages.
 Courtney et al., U.S. Office Action dated Apr. 23, 2018, directed to U.S. Appl. No. 29/602,374; 16 pages.
 Courtney et al., U.S. Office Action dated Apr. 19, 2018, directed to U.S. Appl. No. 29/602,378; 14 pages.
 Courtney et al., U.S. Office Action dated Apr. 20, 2018, directed to U.S. Appl. No. 29/602,384; 14 pages.
 Courtney et al., U.S. Office Action dated Apr. 20, 2018, directed to U.S. Appl. No. 29/602,388; 15 pages.
 Courtney et al., U.S. Office Action dated Apr. 20, 2018, directed to U.S. Appl. No. 29/602,386; 14 pages.
 Courtney et al., U.S. Office Action dated Mar. 7, 2018, directed to U.S. Appl. No. 29/602,426; 11 pages.
 Courtney et al., U.S. Office Action dated Mar. 8, 2018, directed to U.S. Appl. No. 29/602,427; 12 pages.
 Courtney et al., U.S. Office Action dated Mar. 8, 2018, directed to U.S. Appl. No. 29/602,430; 12 pages.
 Courtney et al., U.S. Office Action dated Mar. 8, 2018, directed to U.S. Appl. No. 29/602,431; 11 pages.
 Courtney et al., U.S. Office Action dated Mar. 8, 2018, directed to U.S. Appl. No. 29/602,435; 12 pages.
 Courtney et al., U.S. Office Action dated Mar. 8, 2018, directed to U.S. Appl. No. 29/602,436; 10 pages.
 Courtney et al., U.S. Office Action dated Mar. 8, 2018, directed to U.S. Appl. No. 29/602,385; 10 pages.
 Courtney et al., U.S. Office Action dated Mar. 8, 2018, directed to U.S. Appl. No. 29/602,383; 10 pages.
 Courtney et al., U.S. Office Action dated Apr. 19, 2018, directed to U.S. Appl. No. 29/602,382; 14 pages.
 Courtney et al., U.S. Office Action dated Mar. 8, 2018, directed to U.S. Appl. No. 29/602,437; 11 pages.
 Courtney et al., U.S. Office Action dated Mar. 8, 2018, directed to U.S. Appl. No. 29/602,438; 12 pages.
 Courtney et al., U.S. Office Action dated Apr. 19, 2018, directed to U.S. Appl. No. 29/602,369; 16 pages.
 Courtney et al., U.S. Office Action dated May 16, 2018, directed to U.S. Appl. No. 29/602,365; 10 pages.
 Courtney et al., U.S. Office Action dated May 16, 2018, directed to U.S. Appl. No. 29/602,363; 10 pages.
 Courtney et al., U.S. Office Action dated May 16, 2018, directed to U.S. Appl. No. 29/602,359; 8 pages.
 Courtney et al., U.S. Office Action dated May 16, 2018, directed to U.S. Appl. No. 29/602,347; 8 pages.
 Courtney et al., U.S. Office Action dated May 16, 2018, directed to U.S. Appl. No. 29/602,344; 7 pages.
 Courtney et al., U.S. Office Action dated May 18, 2018, directed to U.S. Appl. No. 29/602,341; 16 pages.
 Courtney et al., U.S. Office Action dated May 18, 2018, directed to U.S. Appl. No. 29/602,333; 14 pages.
 Courtney et al., U.S. Office Action dated May 17, 2018, directed to U.S. Appl. No. 29/602,331; 13 pages.
 Courtney et al., U.S. Office Action dated May 18, 2018, directed to U.S. Appl. No. 29/602,328; 15 pages.

Courtney et al., U.S. Office Action dated Apr. 25, 2018, directed to U.S. Appl. No. 29/602,325; 13 pages.
 Courtney et al., U.S. Office Action dated Apr. 25, 2018, directed to U.S. Appl. No. 29/602,321; 13 pages.
 Courtney et al., U.S. Office Action dated Mar. 8, 2018, directed to U.S. Appl. No. 29/602,440; 12 pages.
 Courtney et al., U.S. Office Action dated Mar. 8, 2018, directed to U.S. Appl. No. 29/602,443; 12 pages.
 Love, J. (Nov. 27, 2016). "Dyson is designing an electric toothbrush," located at <<http://www.electriceeth.co.uk/dyson-is-designing-an-electric-toothbrush/>> (13 pages).
 Courtney et al., U.S. Office Action dated Oct. 18, 2018, directed to U.S. Appl. No. 29/602,377; 9 pages.
 Courtney et al., U.S. Office Action dated Oct. 18, 2018, directed to U.S. Appl. No. 29/602,375; 9 pages.
 Courtney et al., Ex Parte Quayle Action dated Oct. 18, 2018, directed to U.S. Appl. No. 29/602,369; 6 pages.
 Courtney et al., U.S. Office Action dated Sep. 7, 2018, directed to U.S. Appl. No. 29/602,368; 9 pages.
 Courtney et al., Ex Parte Quayle Action dated Dec. 5, 2018, directed to U.S. Appl. No. 29/602,331; 5 pages.
 Courtney et al., U.S. Office Action dated Oct. 18, 2018, directed to U.S. Appl. No. 29/602,445; 9 pages.

* cited by examiner

Primary Examiner — Karen E Eldridge Powers
 (74) *Attorney, Agent, or Firm* — Morrison & Foerster LLP

(57) **CLAIM**

We claim the ornamental design for a dental appliance, as shown and described.

DESCRIPTION

FIG. 1 is a perspective view of a dental appliance showing our new design;
 FIG. 2 is a front elevation view thereof;
 FIG. 3 is a rear elevation view thereof;
 FIG. 4 is a side elevation view thereof;
 FIG. 5 is a side elevation view of the opposite side of the design as that shown in FIG. 4;
 FIG. 6 is a top plan view thereof;
 FIG. 7 is a bottom plan view thereof;
 FIG. 8 is a perspective view of another embodiment of a dental appliance showing our new design;
 FIG. 9 is a front elevation view thereof;
 FIG. 10 is a rear elevation view thereof;
 FIG. 11 is a side elevation view thereof;
 FIG. 12 is a side elevation view of the opposite side of the design as that shown in FIG. 11;
 FIG. 13 is a top plan view thereof; and,
 FIG. 14 is a bottom plan view thereof.
 The broken lines shown in the drawings illustrate portions of a dental appliance that form no part of the claimed design.

1 Claim, 14 Drawing Sheets

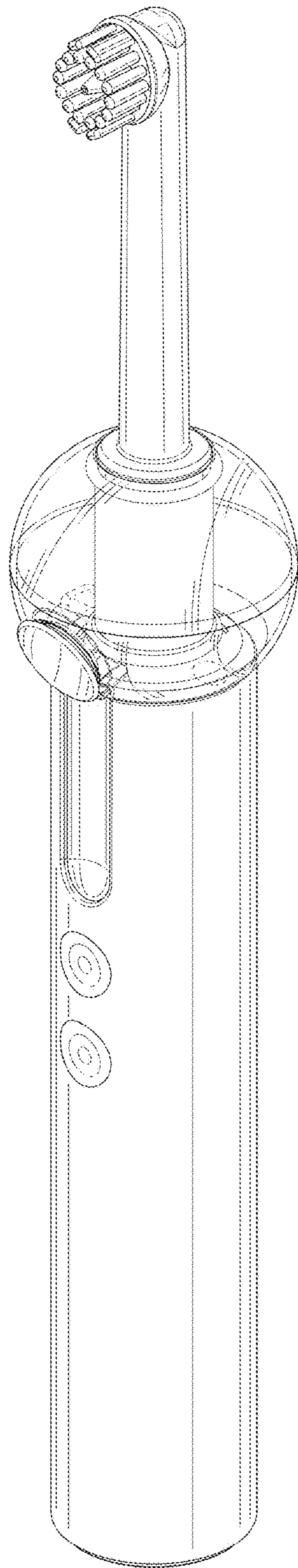


FIG. 1

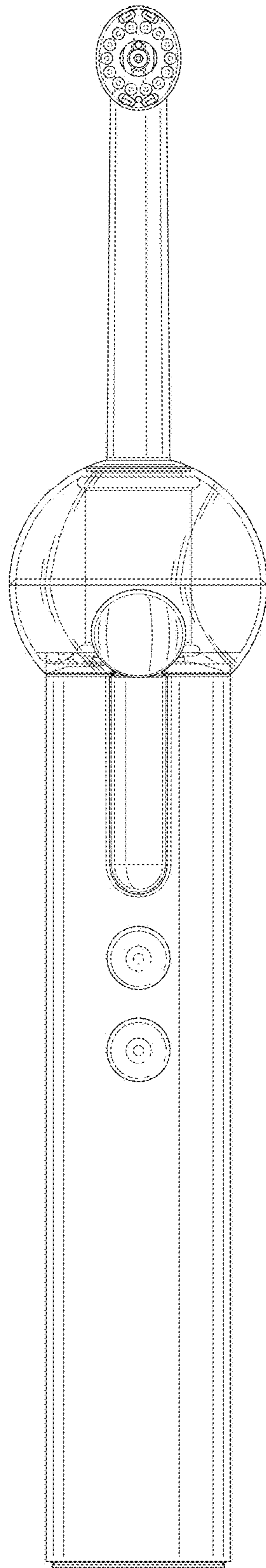


FIG. 2

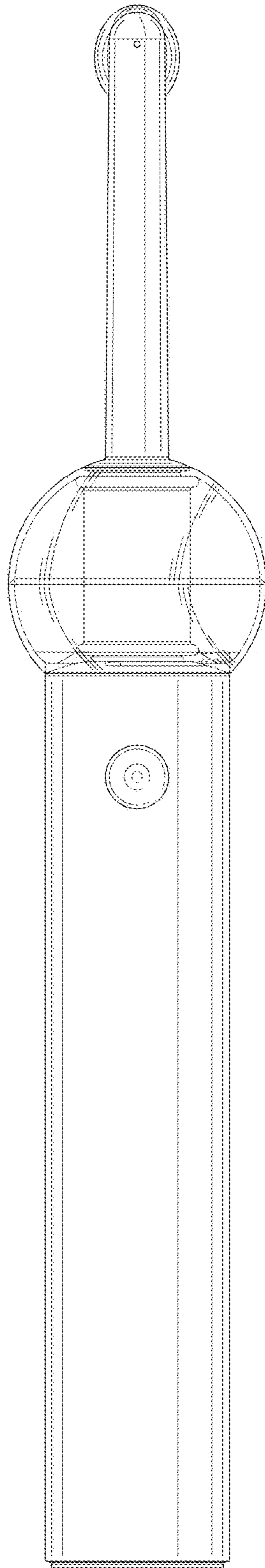


FIG. 3

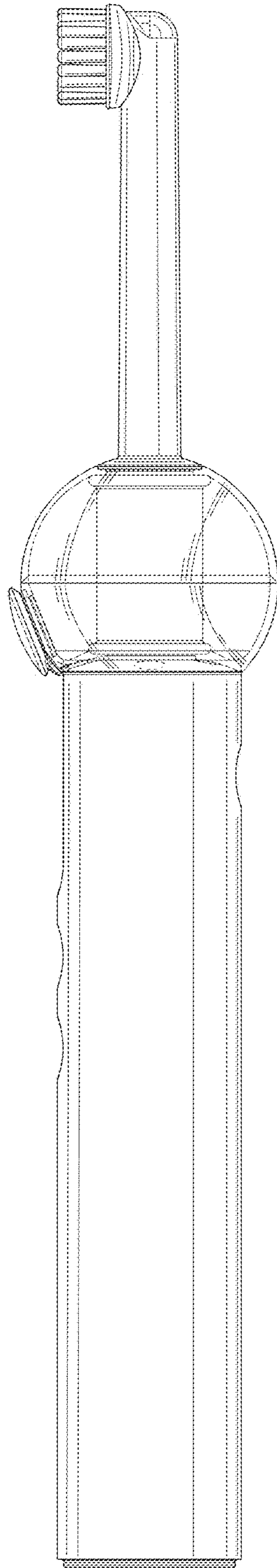


FIG. 4

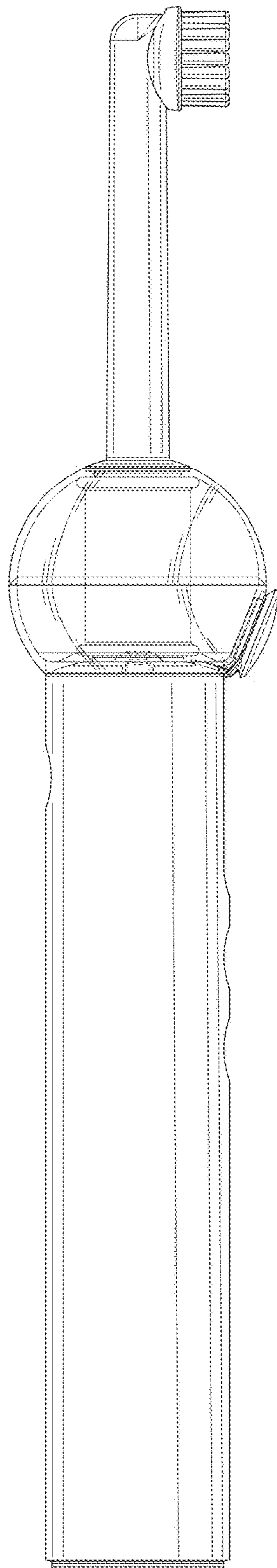


FIG. 5

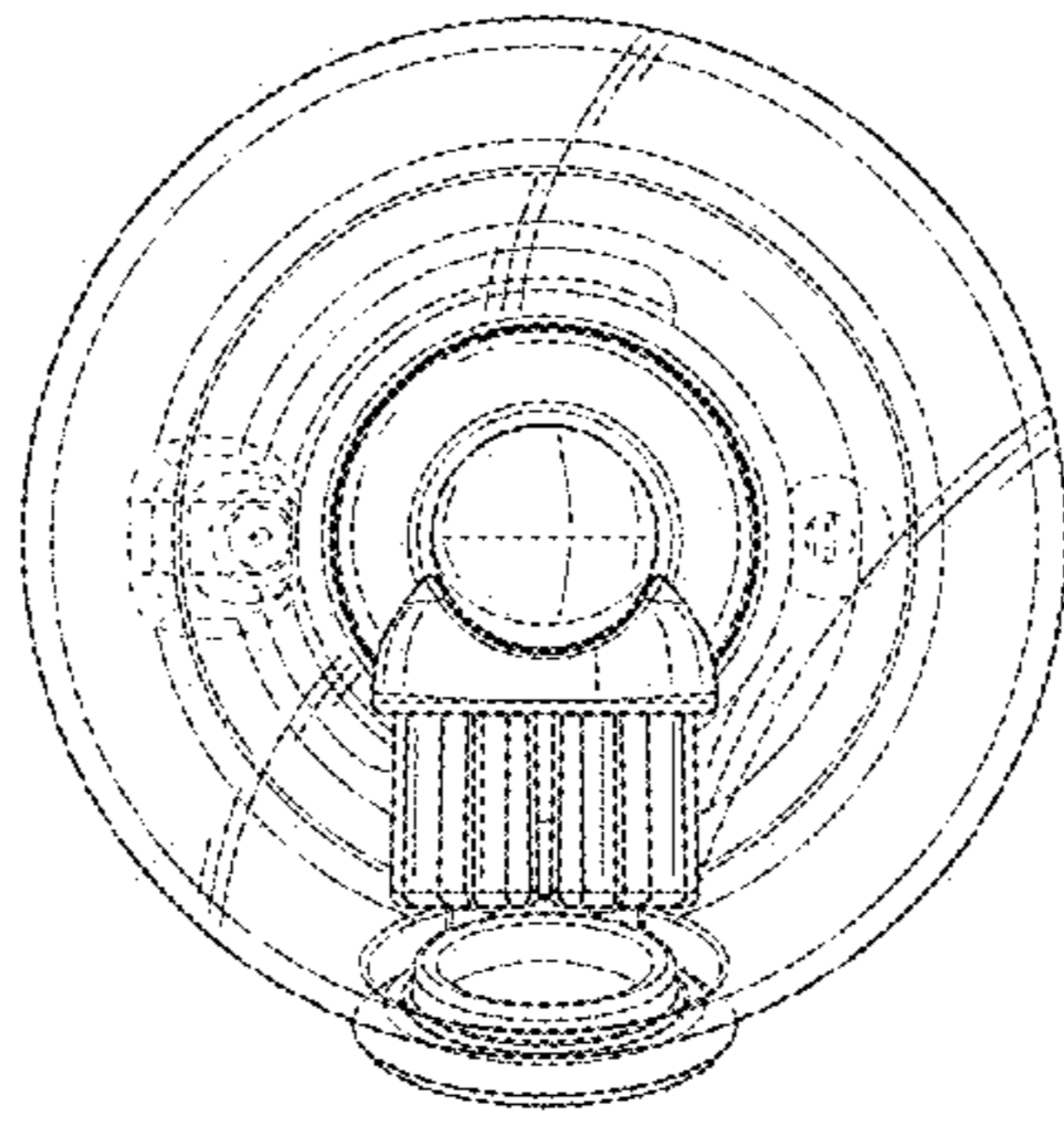


FIG. 6

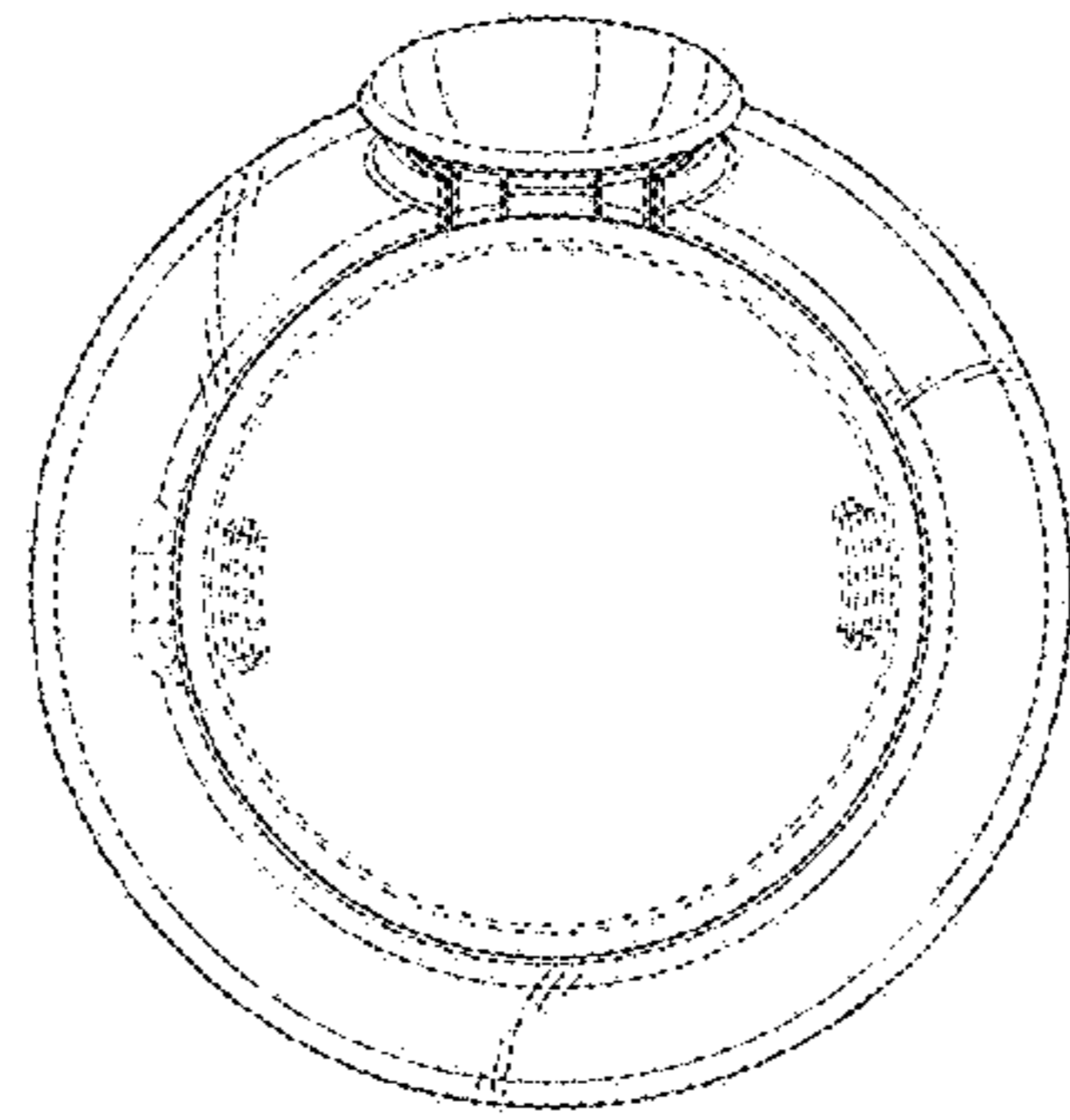


FIG. 7

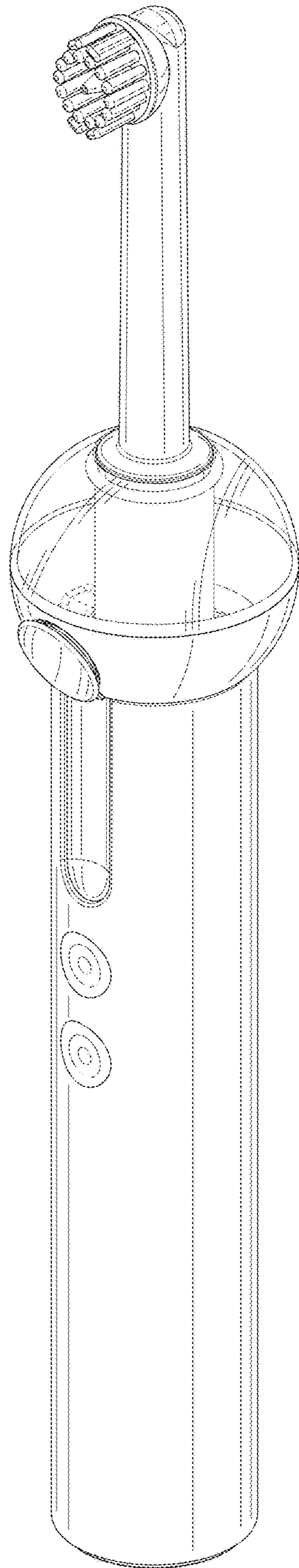


FIG. 8

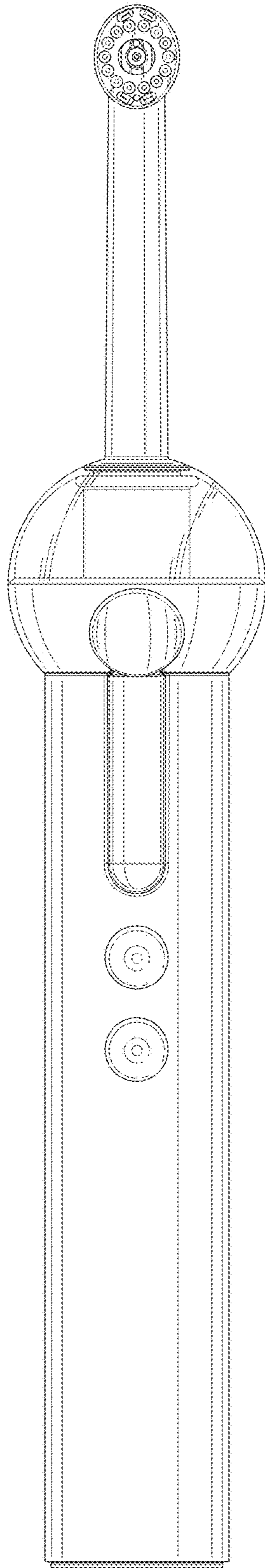


FIG. 9

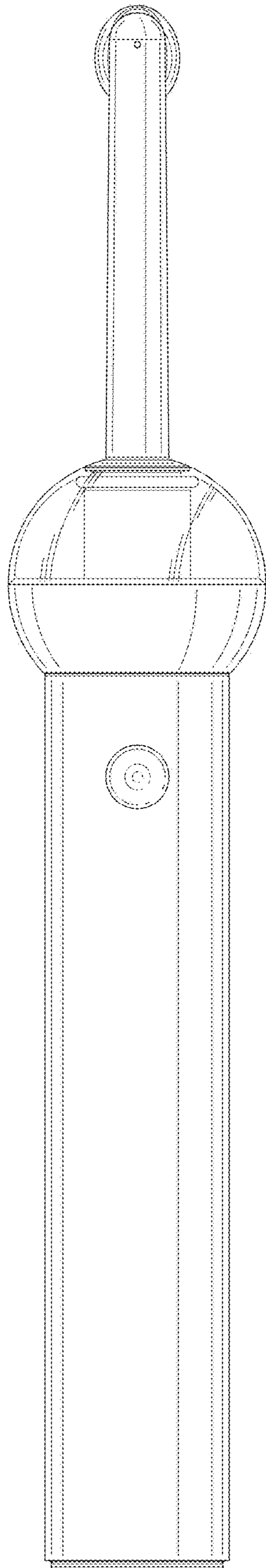


FIG. 10

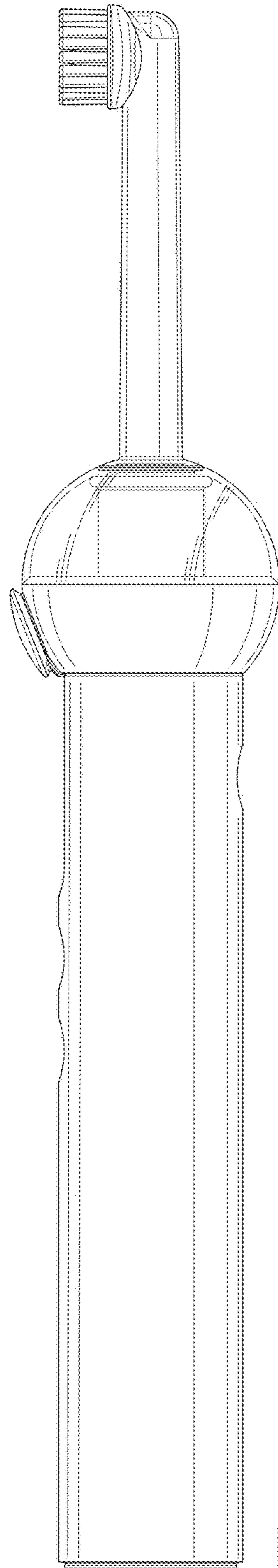


FIG. 11

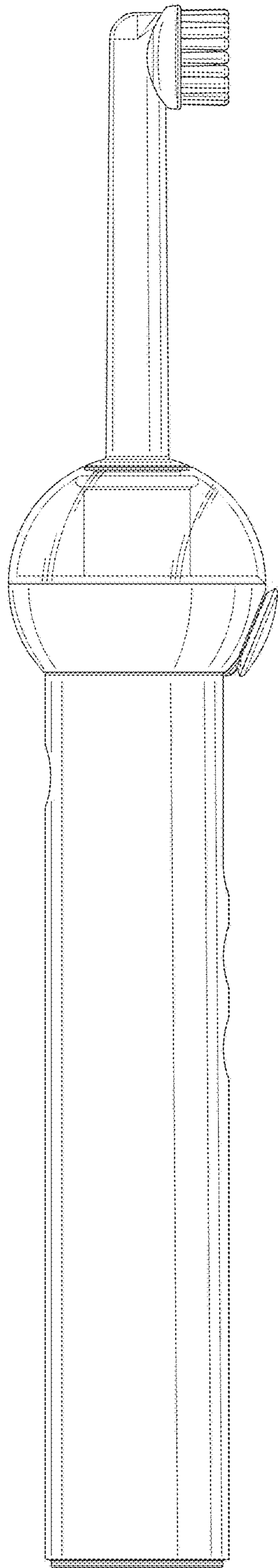


FIG. 12

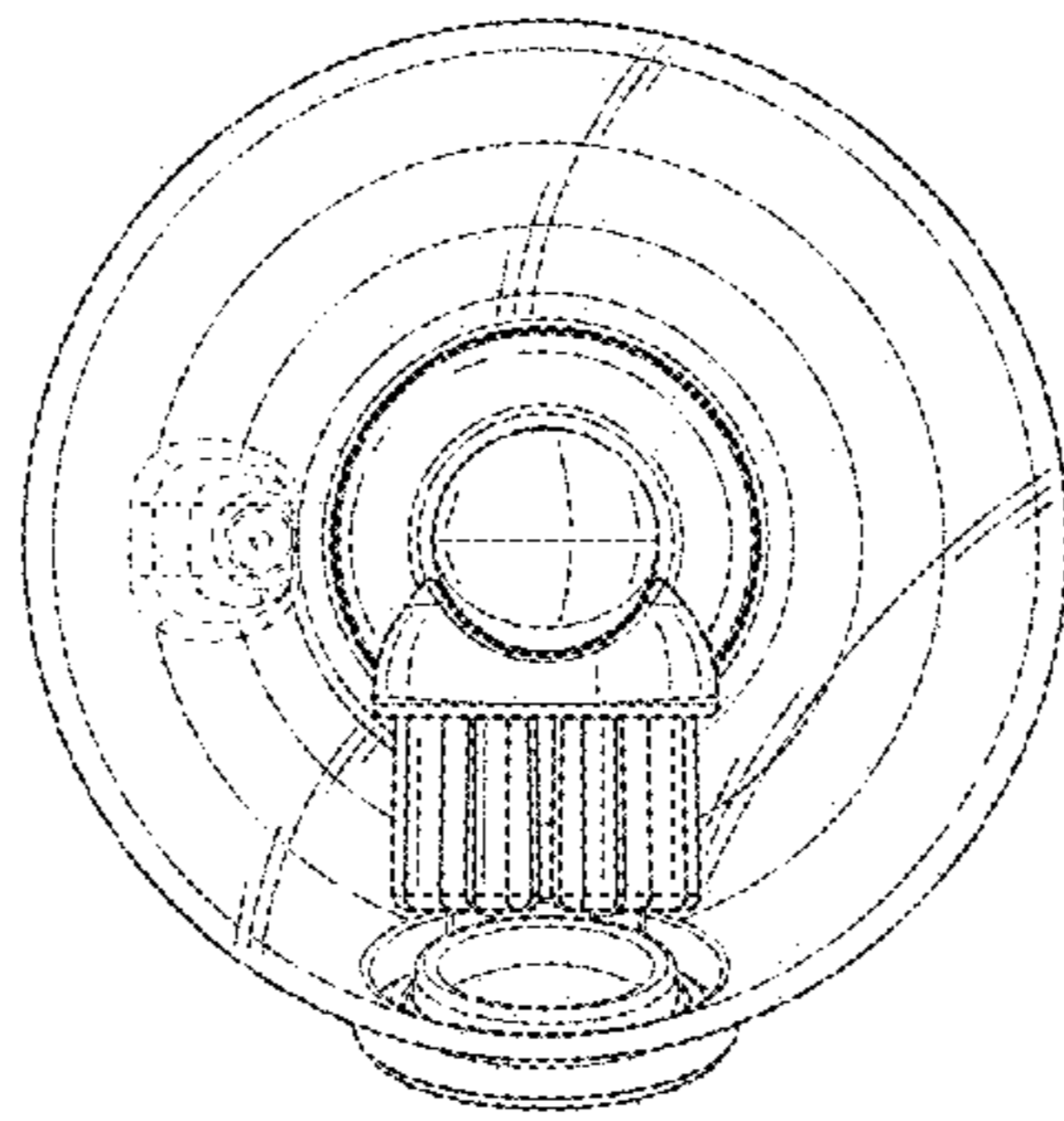


FIG. 13

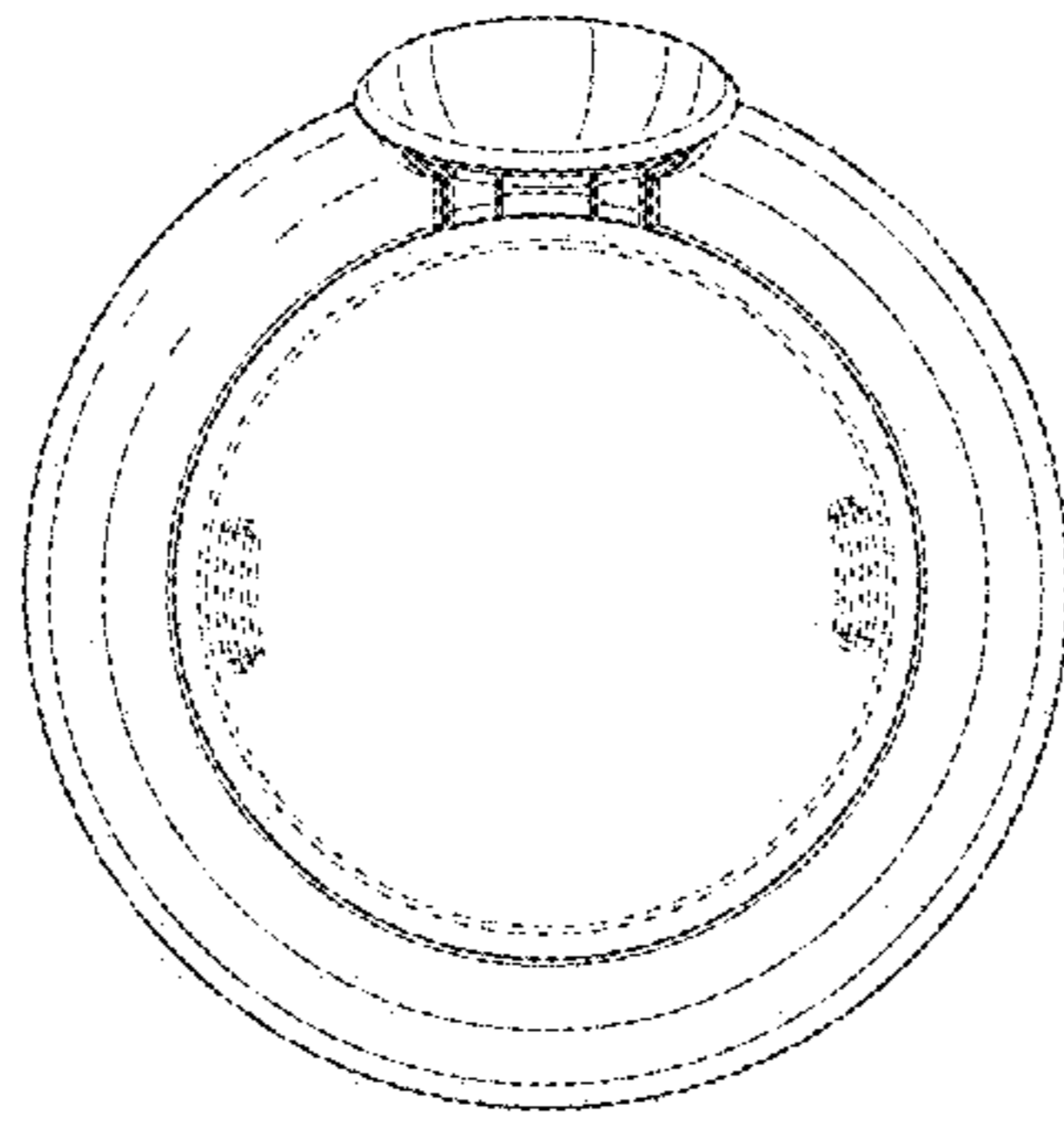


FIG. 14