



US00D854326S

(12) **United States Design Patent**
Kodada

(10) **Patent No.:** **US D854,326 S**

(45) **Date of Patent:** **** Jul. 23, 2019**

(54) **HAND SLEEVE FOR A CLUTCH BAG**

(74) *Attorney, Agent, or Firm* — Tarter Krinsky & Drogin LLP

(71) Applicant: **CRYSTAL KODADA LLC**, East Brunswick, NJ (US)

(72) Inventor: **Crystal Kodada**, East Brunswick, NJ (US)

(57) **CLAIM**

The ornamental design for a hand sleeve for a clutch bag, as shown and described.

(73) Assignee: **Crystal Kodada LLC**, East Brunswick, NJ (US)

(**) Term: **15 Years**

(21) Appl. No.: **29/638,725**

(22) Filed: **Feb. 28, 2018**

(51) **LOC (11) Cl.** **03-01**

(52) **U.S. Cl.**
USPC **D3/318**

(58) **Field of Classification Search**
USPC D3/232–233, 240–243, 245–246, 318
CPC A45C 1/024; A45C 3/06
See application file for complete search history.

DESCRIPTION

FIG. 1 is a front perspective view of a first embodiment of a hand sleeve for a clutch bag;
FIG. 2 is a front view thereof;
FIG. 3 is a first side view thereof;
FIG. 4 is a second side view thereof;
FIG. 5 is a top view thereof;
FIG. 6 is a bottom view thereof;
FIG. 7 is a front perspective view of a hand inserted within the hand sleeve;
FIG. 8 is a front perspective view of a second embodiment of a hand sleeve for a clutch bag;
FIG. 9 is a front view thereof;
FIG. 10 is a first side view thereof;
FIG. 11 is a second side view thereof;
FIG. 12 is a top view thereof;
FIG. 13 is a bottom view thereof; and,
FIG. 14 is a front perspective view of a hand inserted within the hand sleeve.

The evenly spaced broken lines showing a handbag, portions of the sleeve and a hand are for the purposes of illustrating environment. The dot-dashed broken lines represent the boundaries of the claimed design. Neither broken lines form part of the claimed design.

(56) **References Cited**

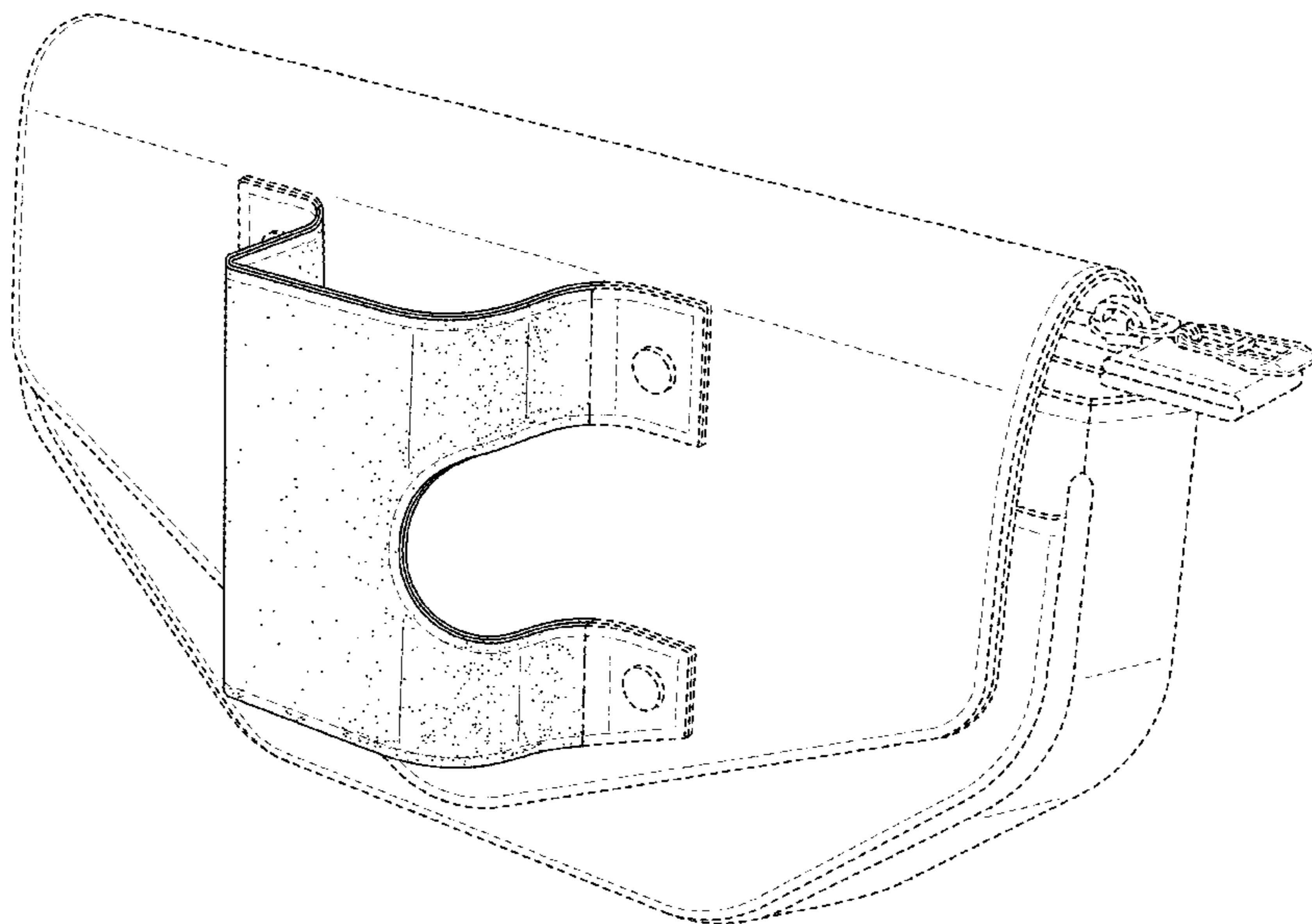
U.S. PATENT DOCUMENTS

3,189,073 A *	6/1965	Todd	A45C 1/04
				128/878
D711,653 S *	8/2014	Pacetti	D3/318
D751,818 S *	3/2016	Perrin		
D755,521 S *	5/2016	Wei	D3/318
D804,812 S *	12/2017	Louboutin	D3/232

* cited by examiner

Primary Examiner — Holly H Baynham

1 Claim, 14 Drawing Sheets



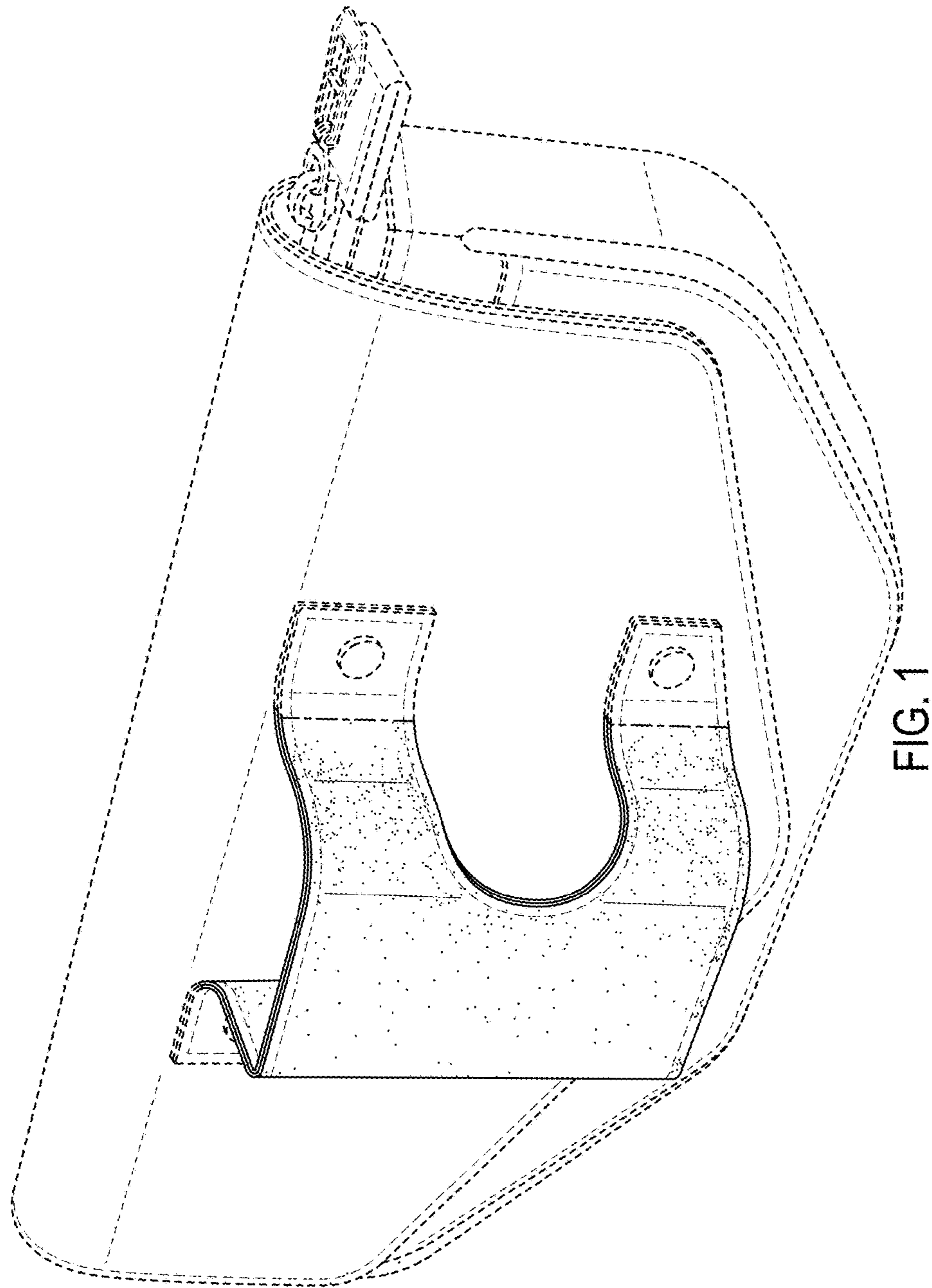


FIG. 1

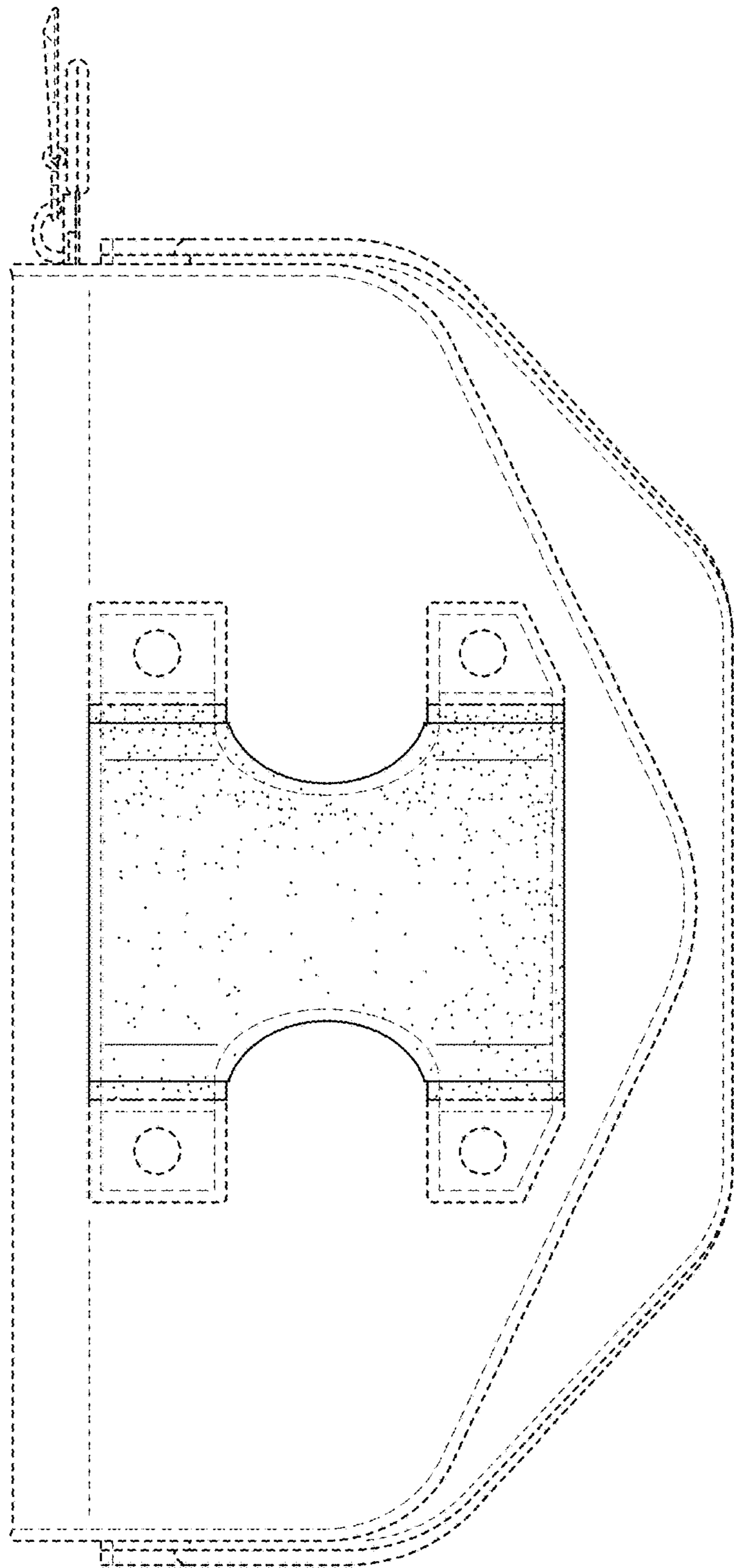


FIG. 2

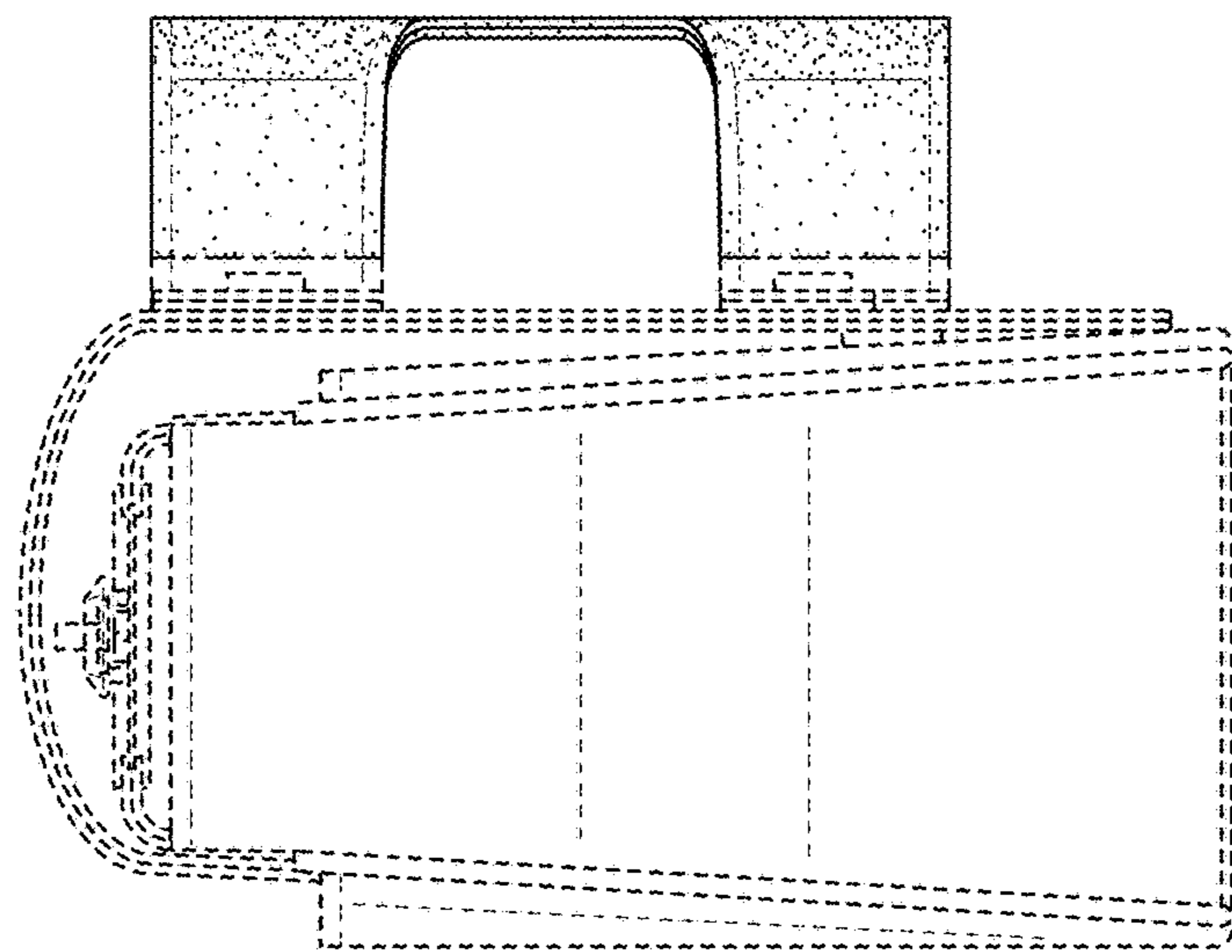


FIG. 3

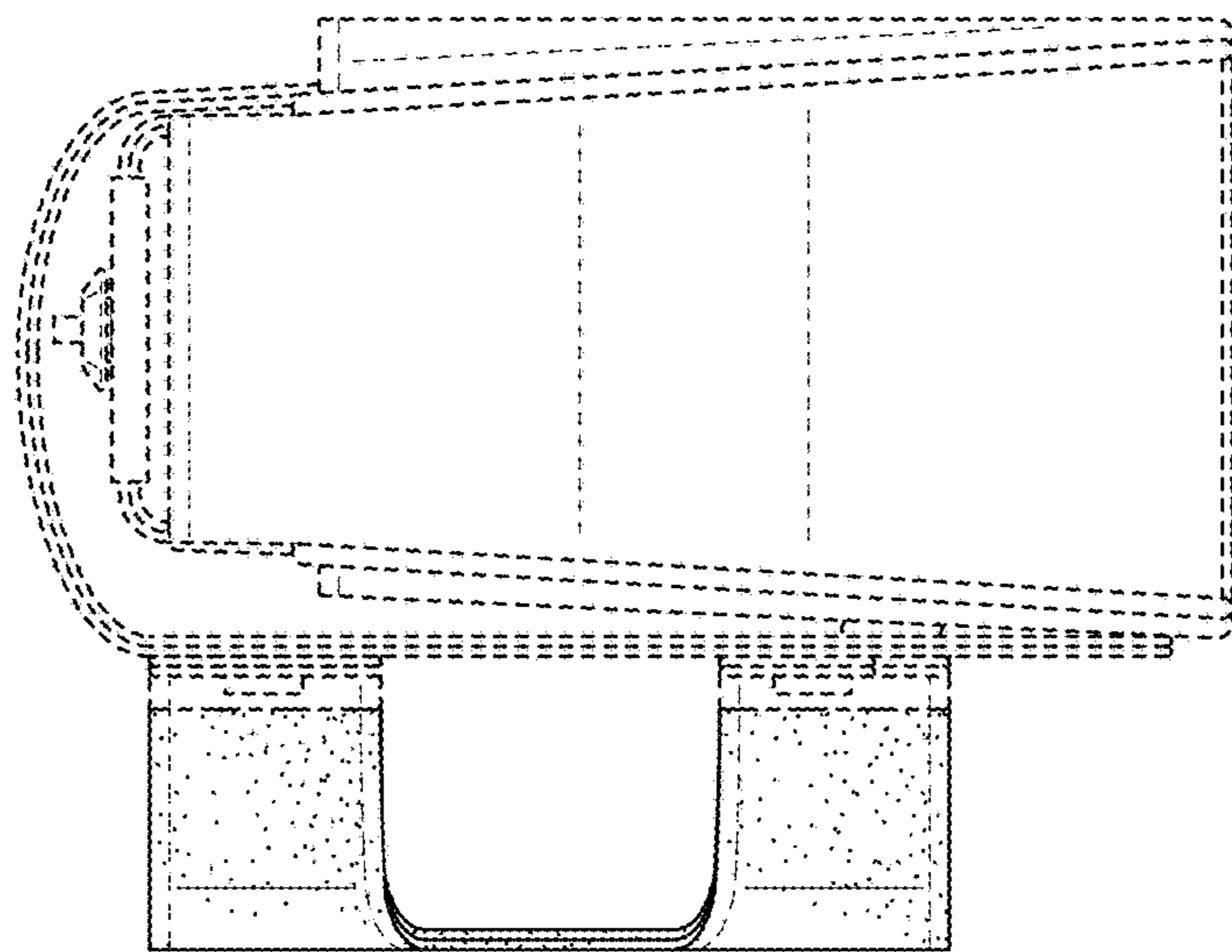


FIG. 4

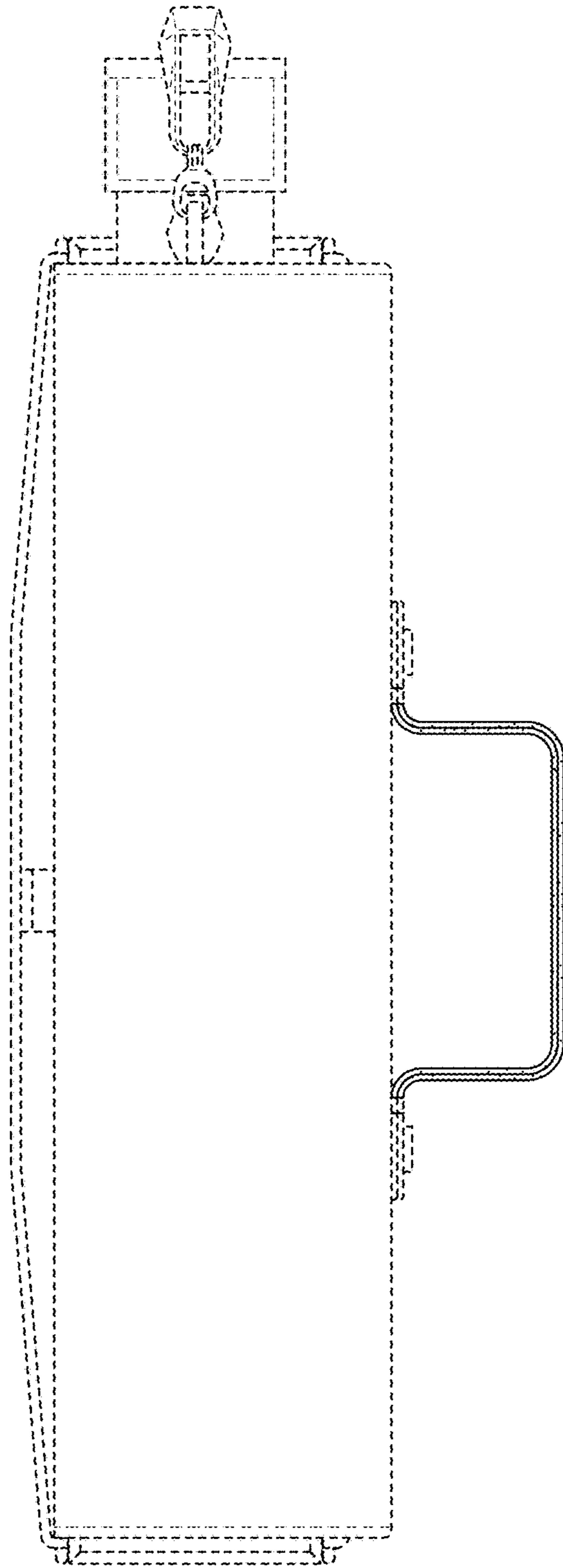


FIG. 5

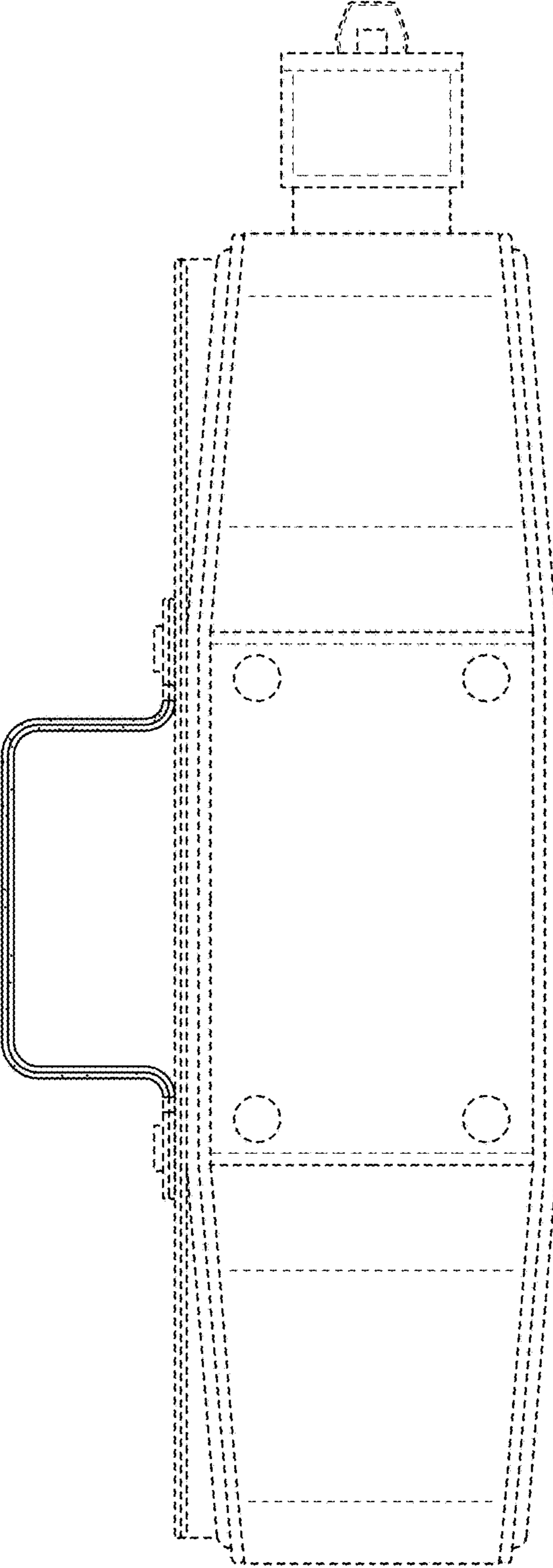
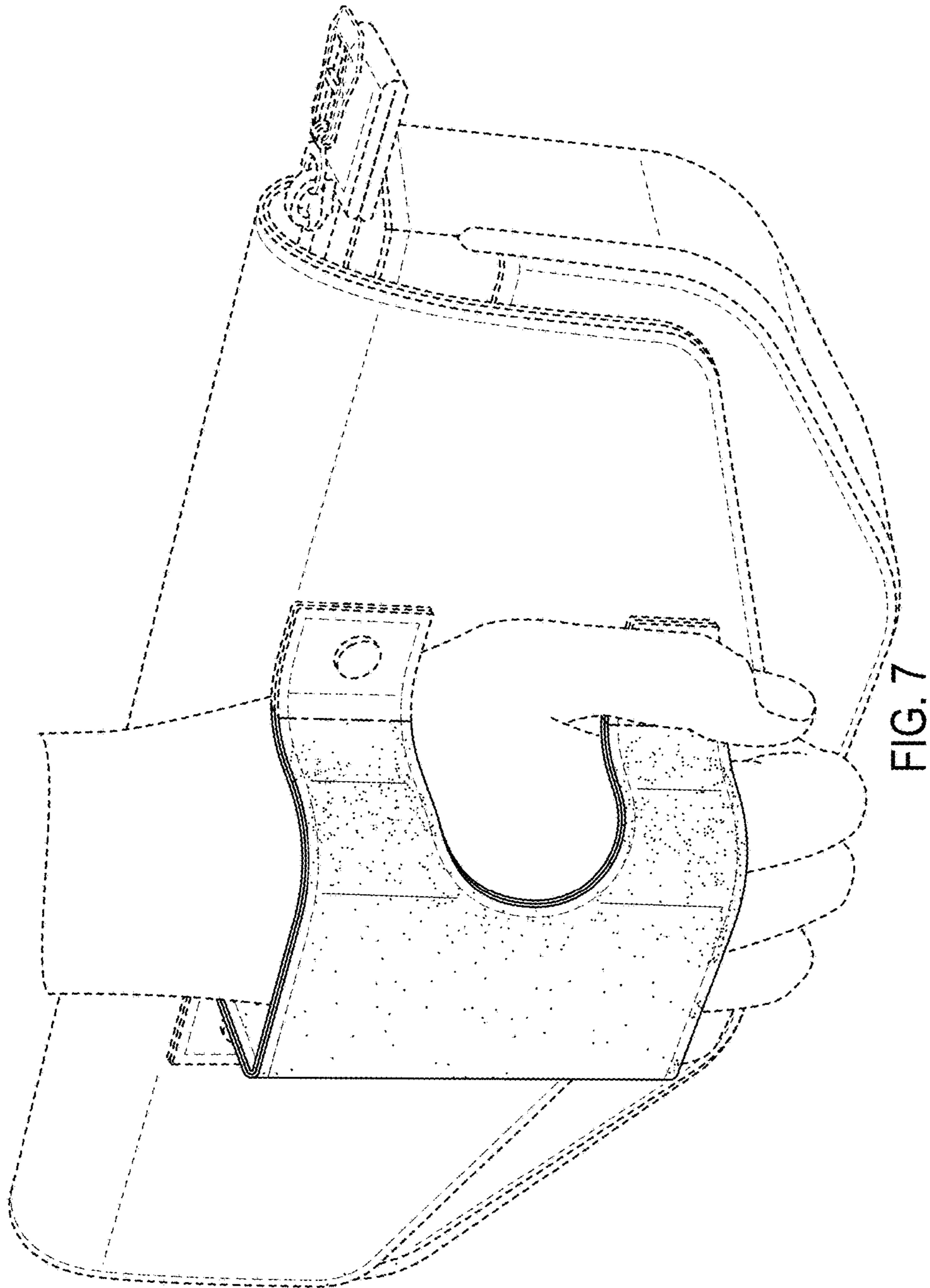
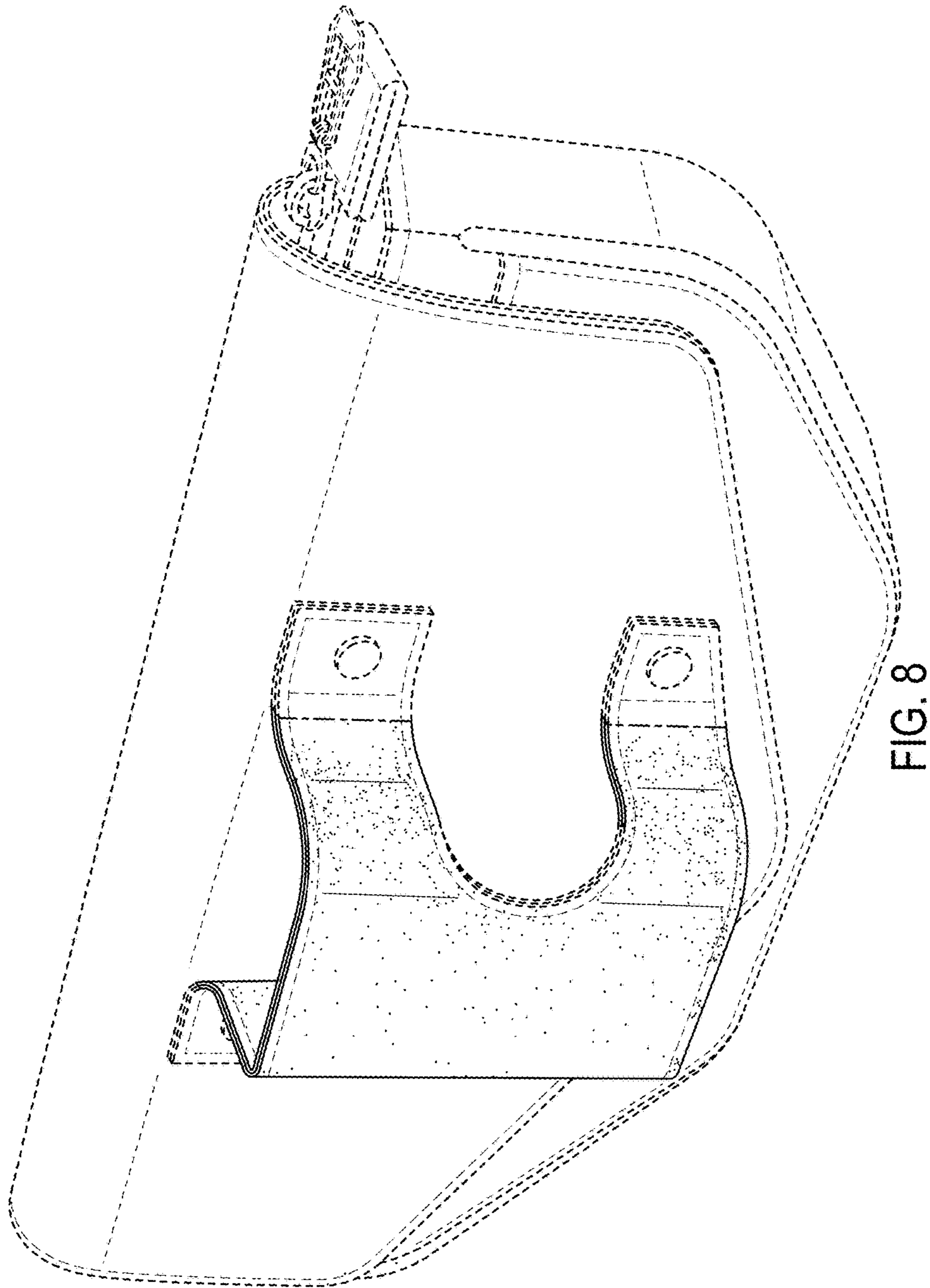


FIG. 6





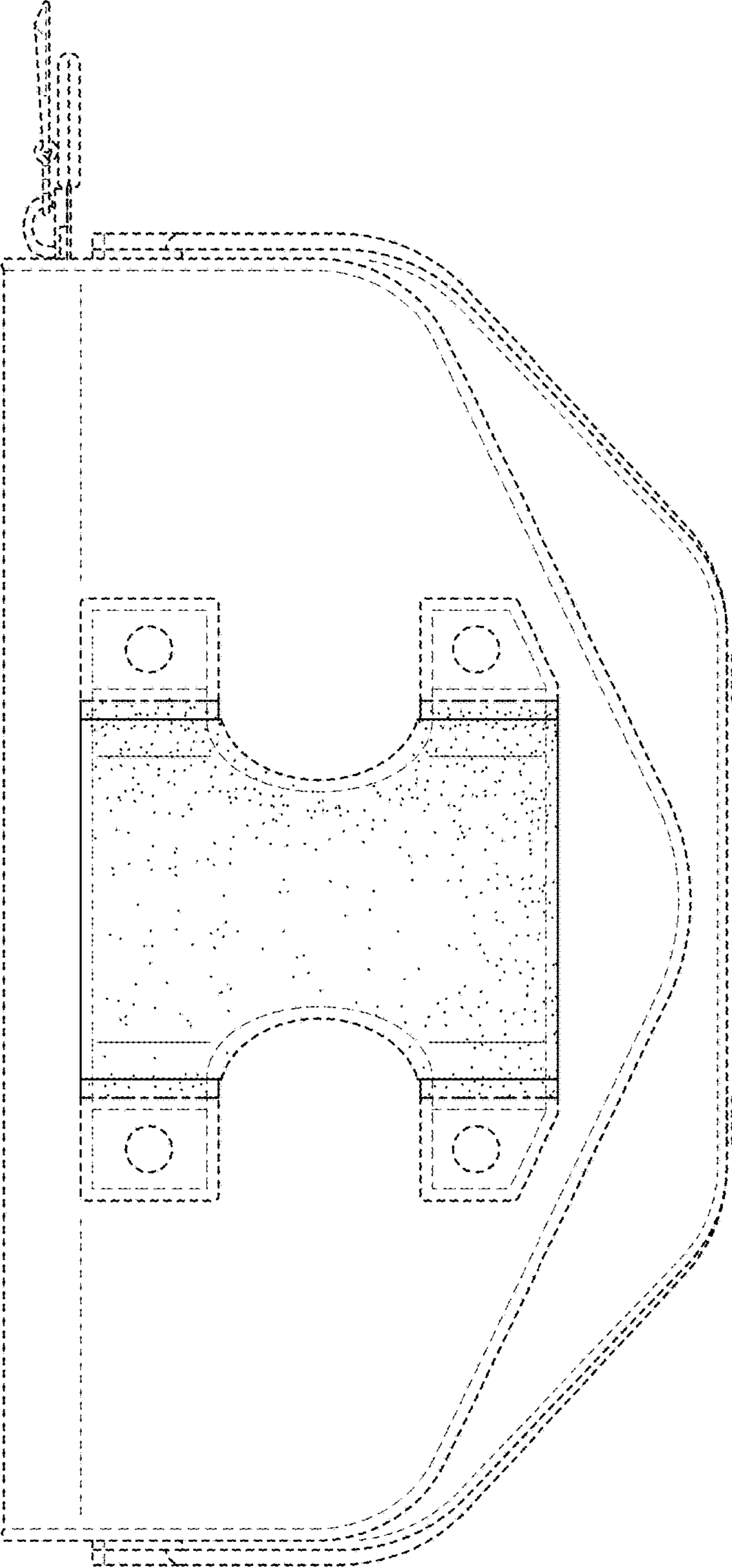


FIG. 9

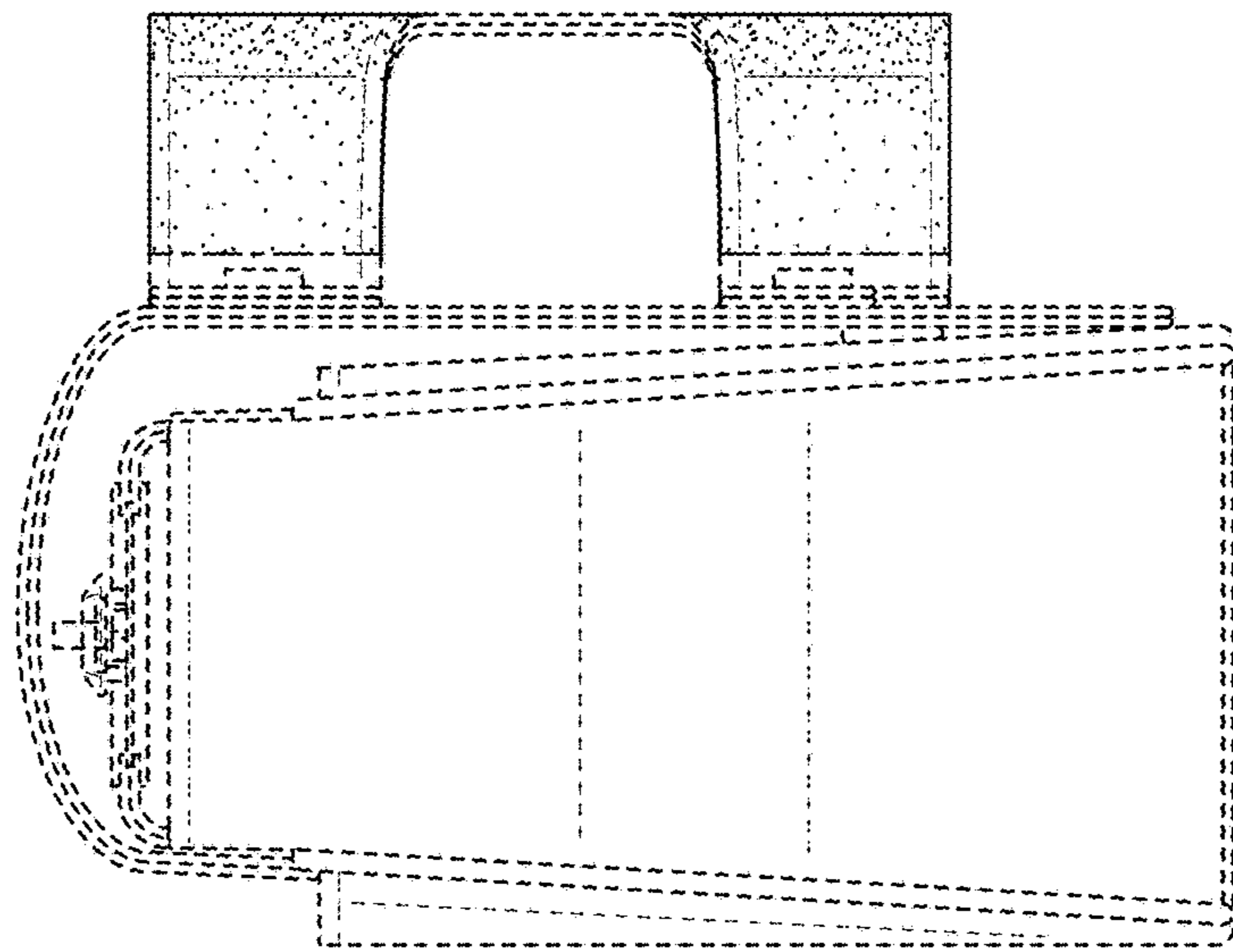


FIG. 10

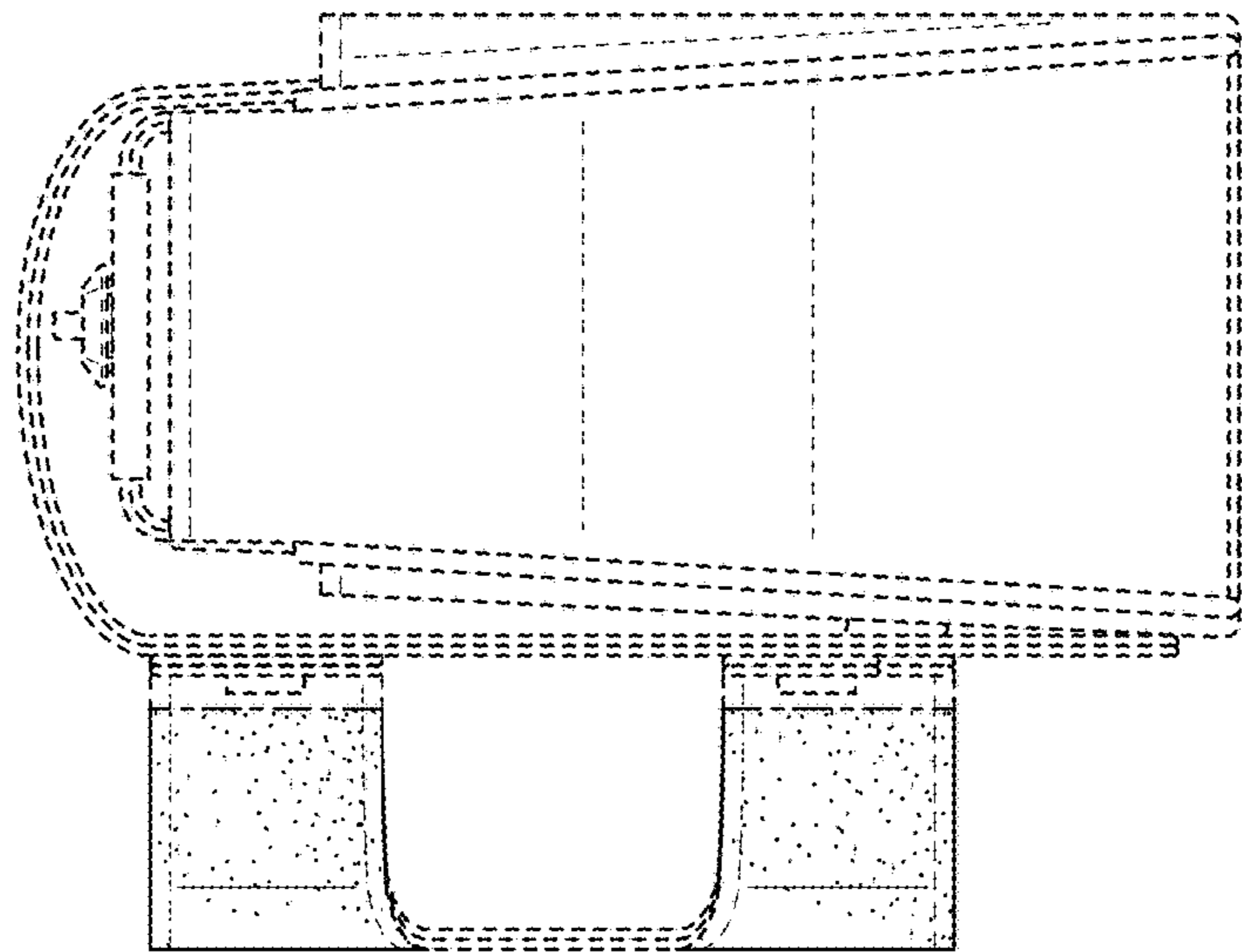


FIG. 11

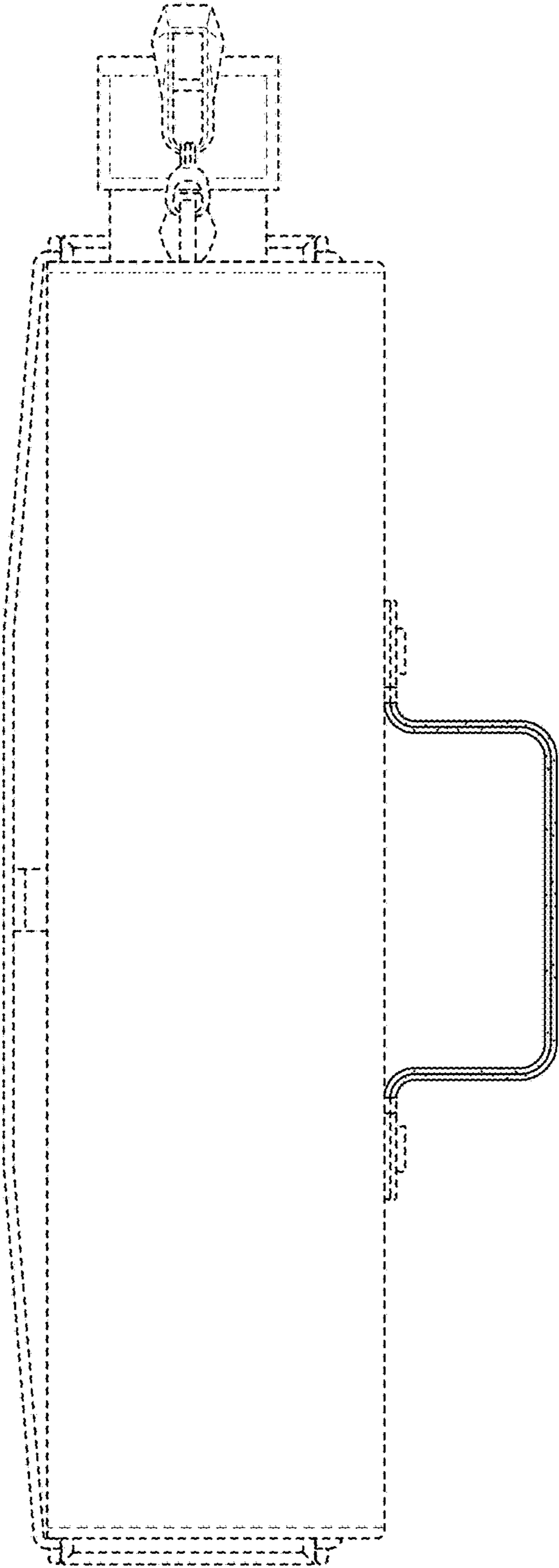


FIG. 12

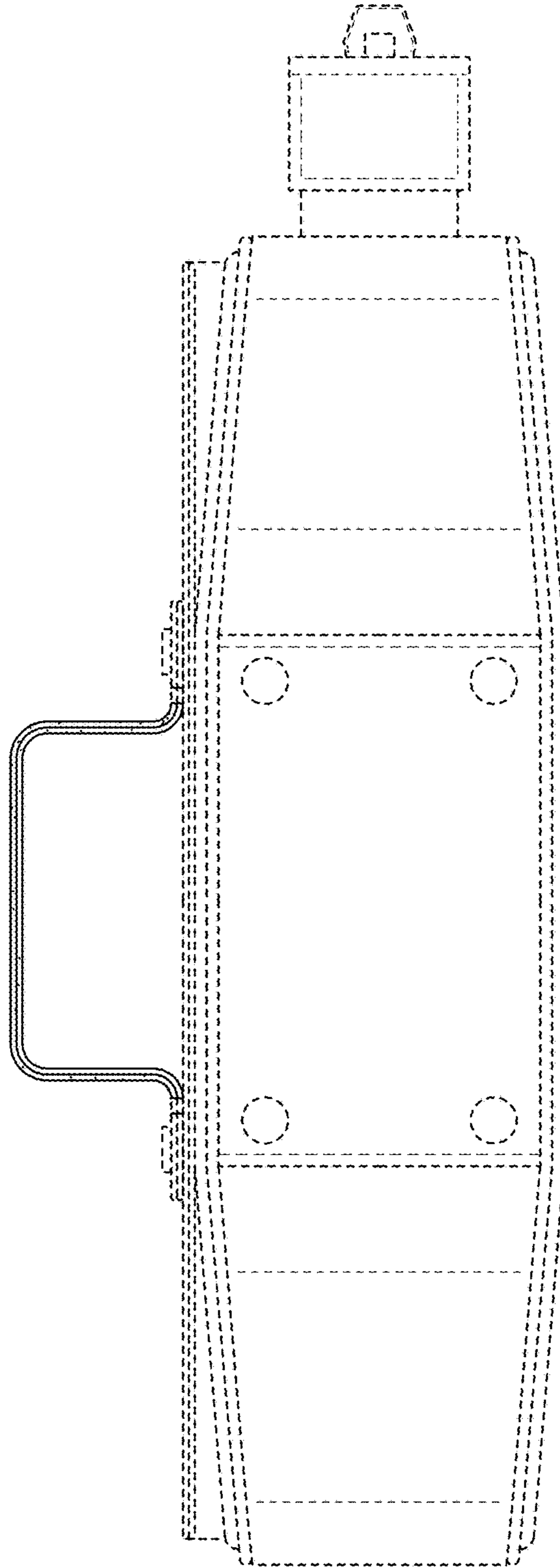


FIG. 13

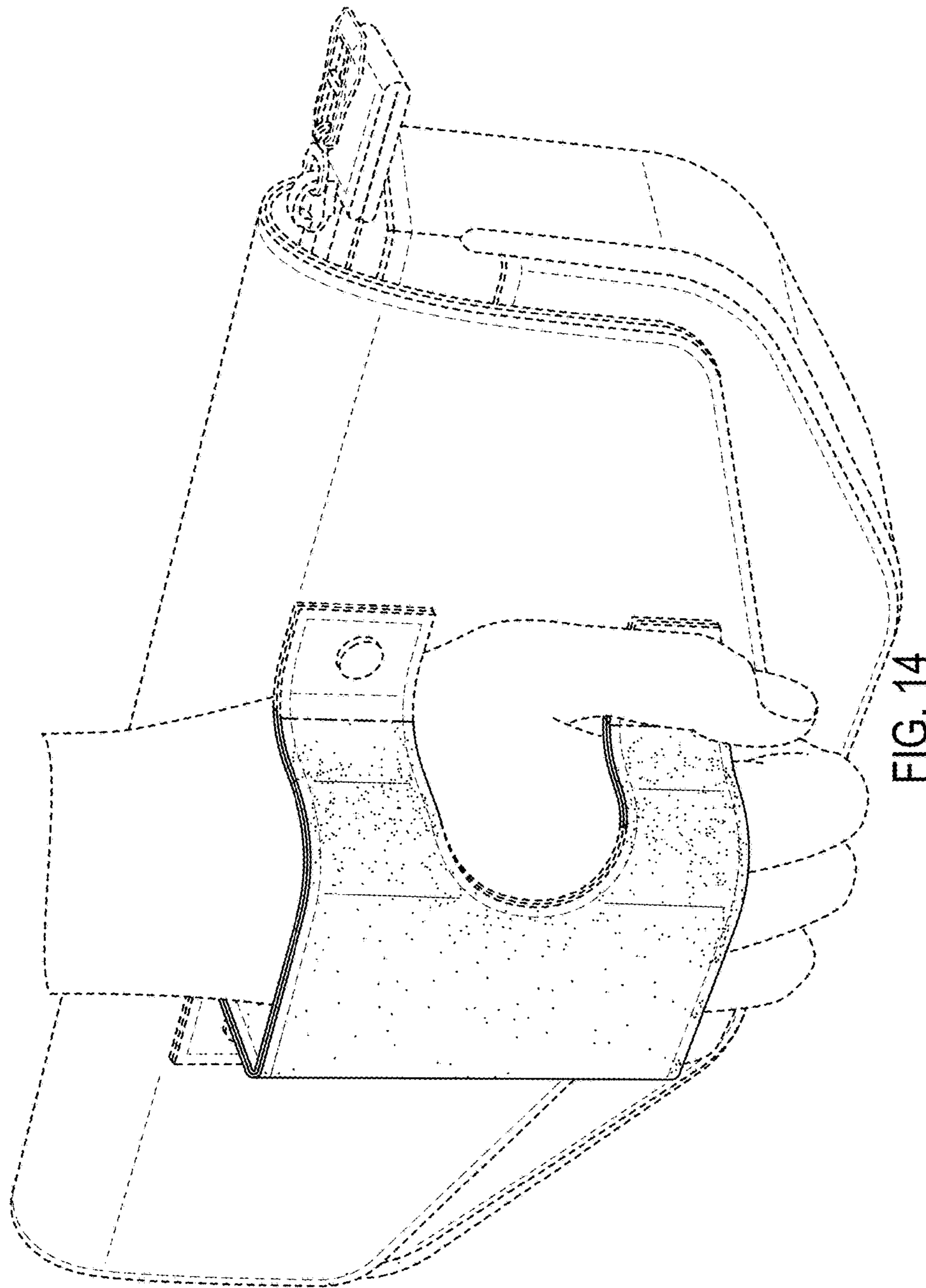


FIG. 14