



US00D854325S

(12) **United States Design Patent**
Myerson

(10) **Patent No.:** **US D854,325 S**

(45) **Date of Patent:** **** Jul. 23, 2019**

- (54) **SCOOP HOLDER AND BASE**
- (71) Applicant: **Maurice Myerson**, Atlanta, GA (US)
- (72) Inventor: **Maurice Myerson**, Atlanta, GA (US)
- (**) Term: **15 Years**
- (21) Appl. No.: **29/643,974**
- (22) Filed: **Apr. 13, 2018**
- (51) **LOC (11) Cl.** **03-01**
- (52) **U.S. Cl.**
USPC **D3/304**
- (58) **Field of Classification Search**
USPC D6/512-514, 657-658, 663-664,
D6/667-668, 672-674, 682-682.1;
D7/603-608, 629; D15/79-81;
D3/304-315
CPC .. B65D 1/00; A47G 21/04; A47J 43/28; A47J
43/283; A47J 43/288; A47F 13/08
See application file for complete search history.

- D774,762 S * 12/2016 Aller D3/304
- D782,143 S * 3/2017 Divizinskiy D34/1
- D802,973 S * 11/2017 Chang D6/708.17
- D807,664 S * 1/2018 Cohen D6/536
- D816,377 S * 5/2018 Levy D6/683
- D826,566 S * 8/2018 Salvador D3/324
- D826,714 S * 8/2018 Pipes D9/456
- D831,288 S * 10/2018 Thuma D34/1

* cited by examiner

Primary Examiner — Kelley A Donnelly

(74) *Attorney, Agent, or Firm* — Walter A. Rodgers

(57) **CLAIM**

The ornamental design for a scoop holder and base, as shown and described.

DESCRIPTION

FIG. 1 is an exploded perspective view of a scoop holder and base showing my new design;
 FIG. 2 is an exploded rear elevation view thereof;
 FIG. 3 is an exploded front elevation view thereof;
 FIG. 4 is a top plan view thereof;
 FIG. 5 is a bottom plan view thereof;
 FIG. 6 is an exploded left-side elevation view thereof;
 FIG. 7 is an exploded right-side elevation view thereof;
 FIG. 8 is a cross-section view taken along the line 8-8 in FIG. 1, the opposite view being the same in appearance; and,
 FIG. 9 is a perspective view of the scoop holder and base in an assembled condition.
 The dashed lines are included for the purpose at illustration and form no part of the claimed design.

1 Claim, 7 Drawing Sheets

(56) **References Cited**

U.S. PATENT DOCUMENTS

- D391,990 S * 3/1998 Wolff D19/78
- D424,806 S * 5/2000 Dixon, Sr. D3/304
- D493,590 S * 7/2004 Chen D34/1
- D535,842 S * 1/2007 Wood D6/567
- D602,667 S * 10/2009 Barbieri D34/1
- D623,376 S * 9/2010 Griebel D1/122
- D668,118 S * 10/2012 Hayes D7/602
- D696,016 S * 12/2013 Tsai D3/306
- D710,443 S * 8/2014 Stravitz D19/90
- D726,446 S * 4/2015 Tollasepp D6/553
- D731,187 S * 6/2015 Thompson D3/315

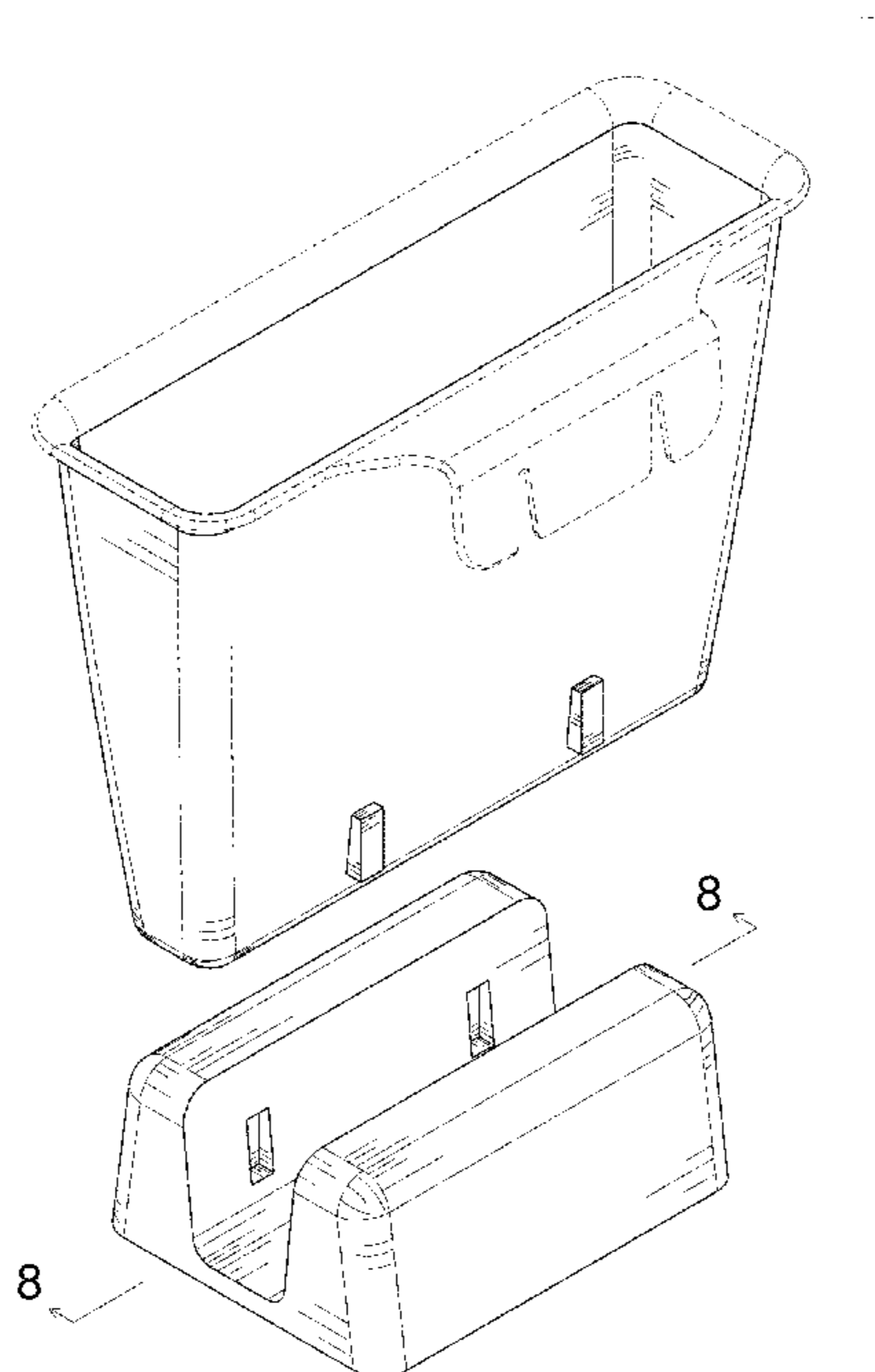


Fig 1

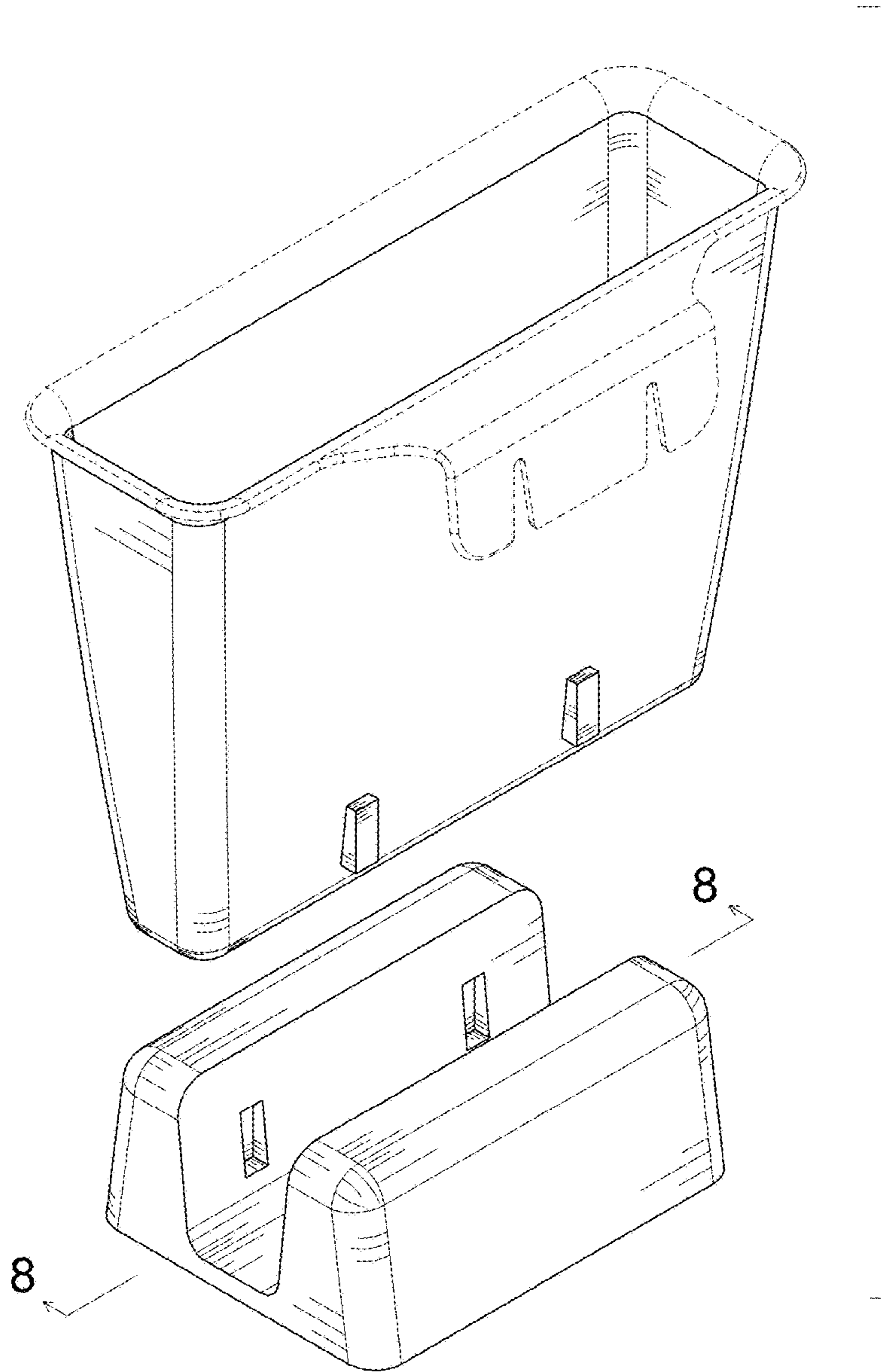


Fig 2

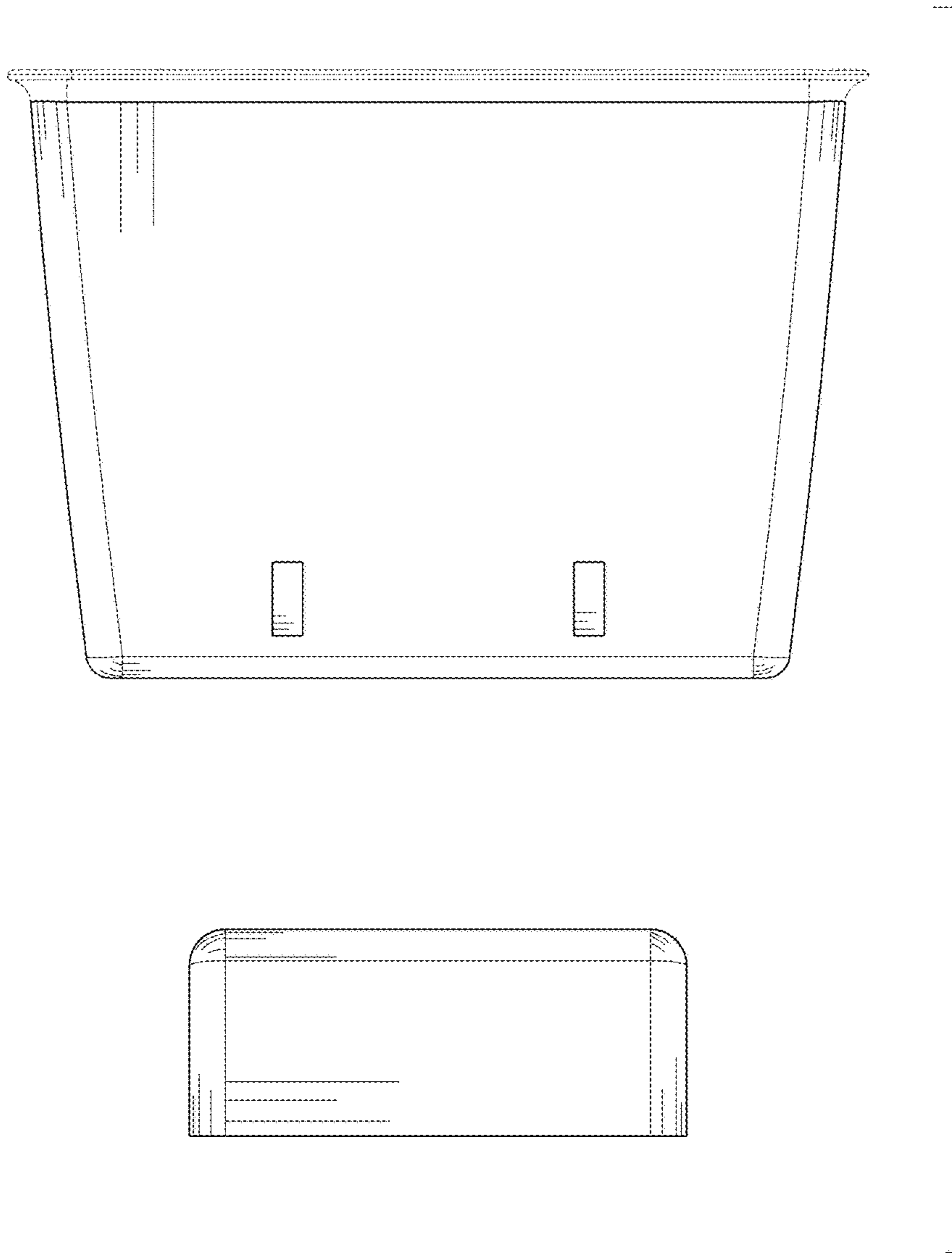


Fig 3

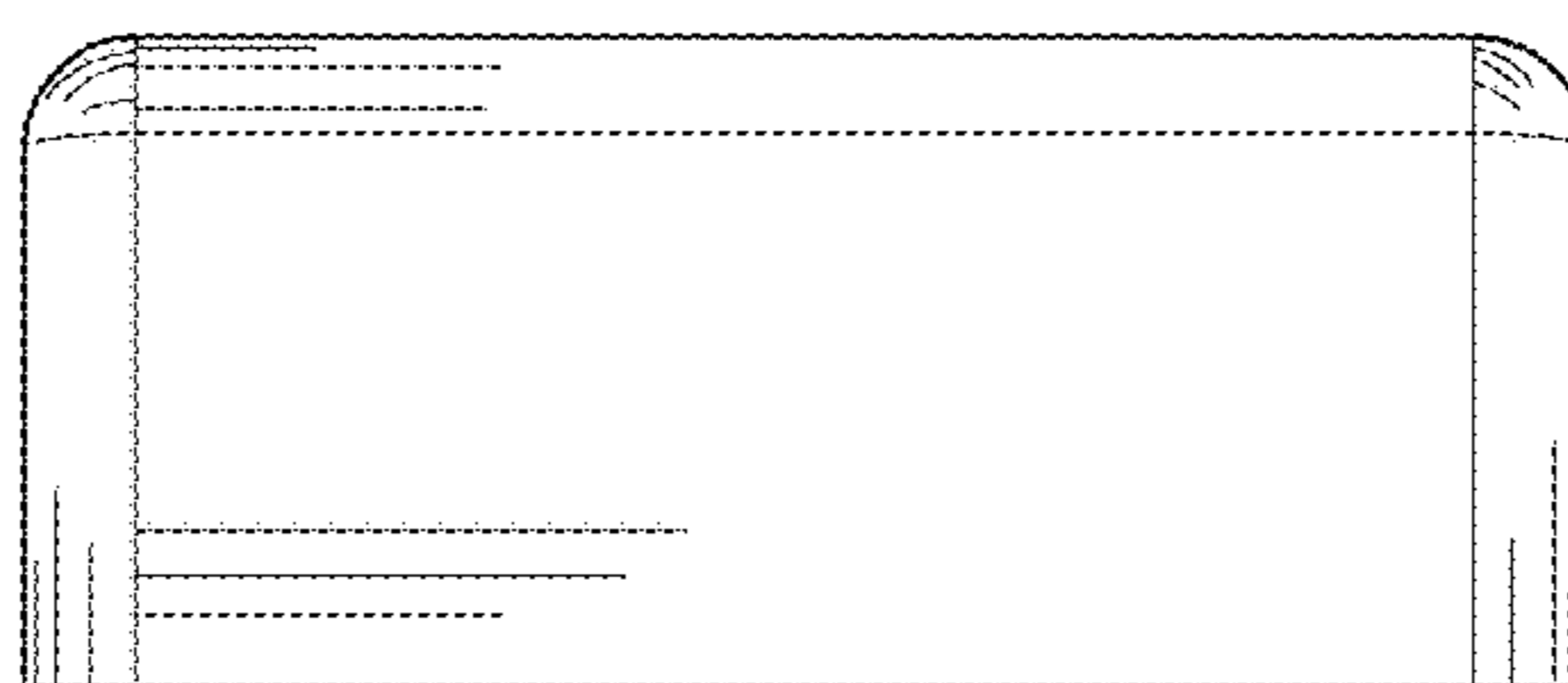
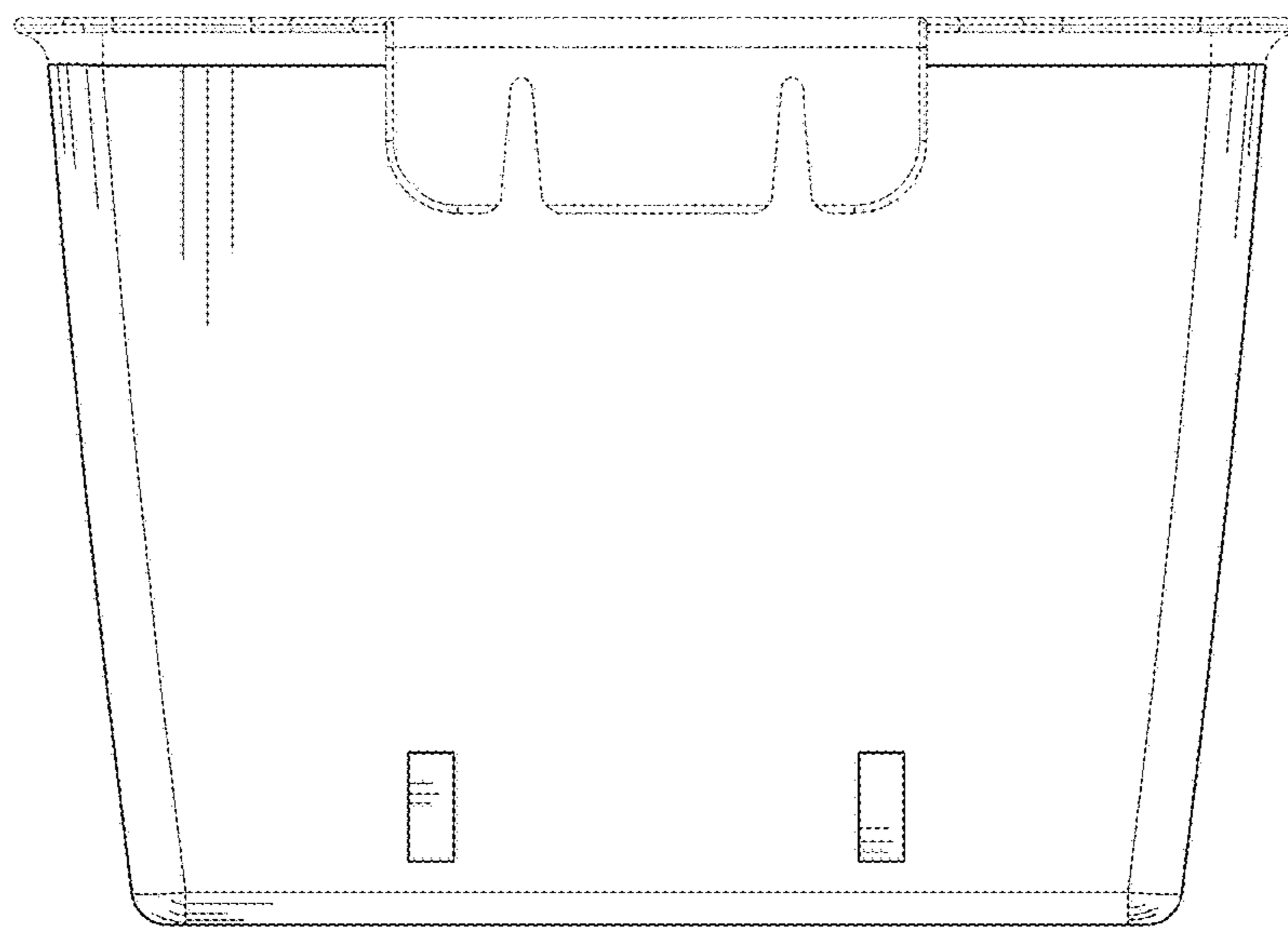


Fig 4

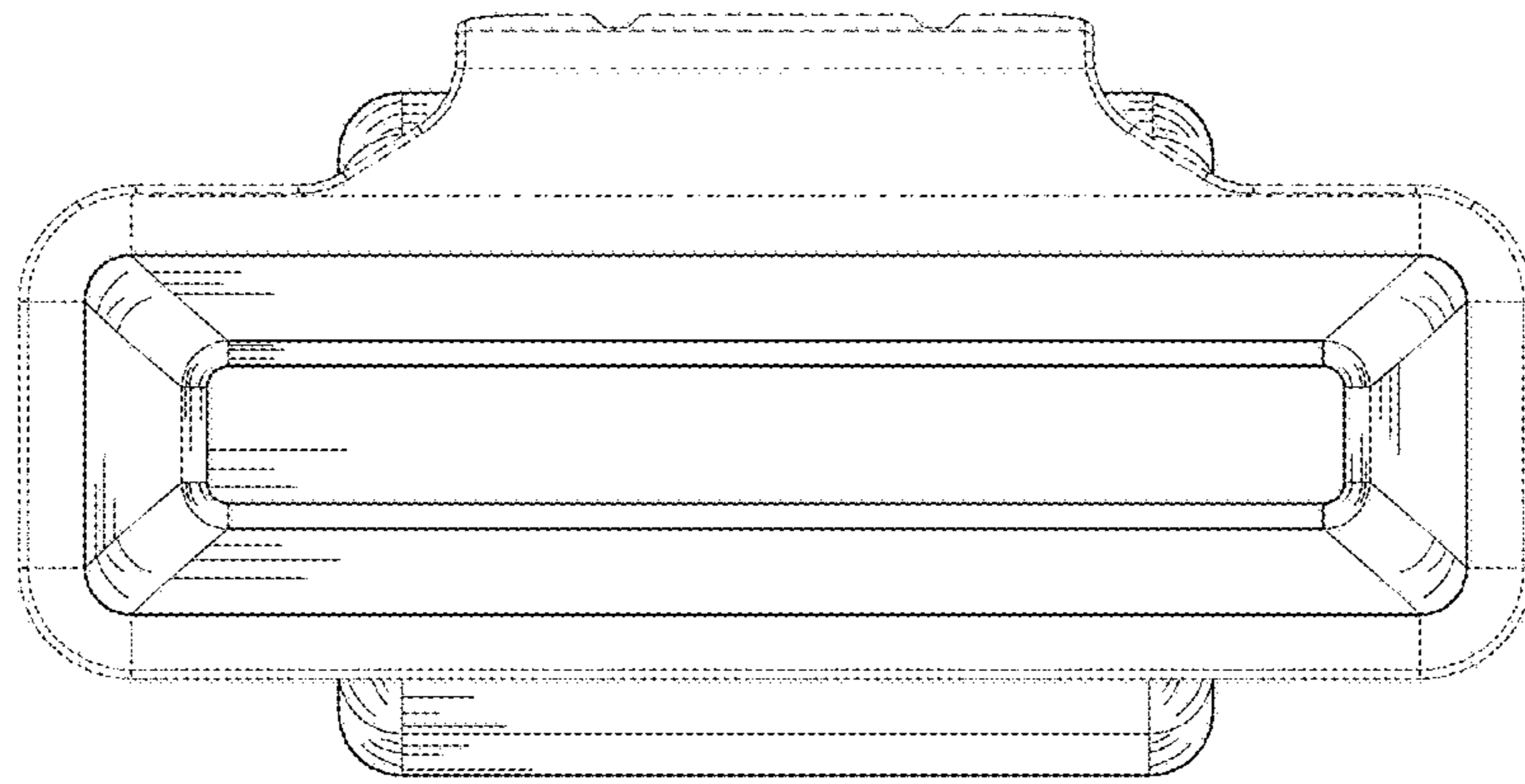


Fig 5

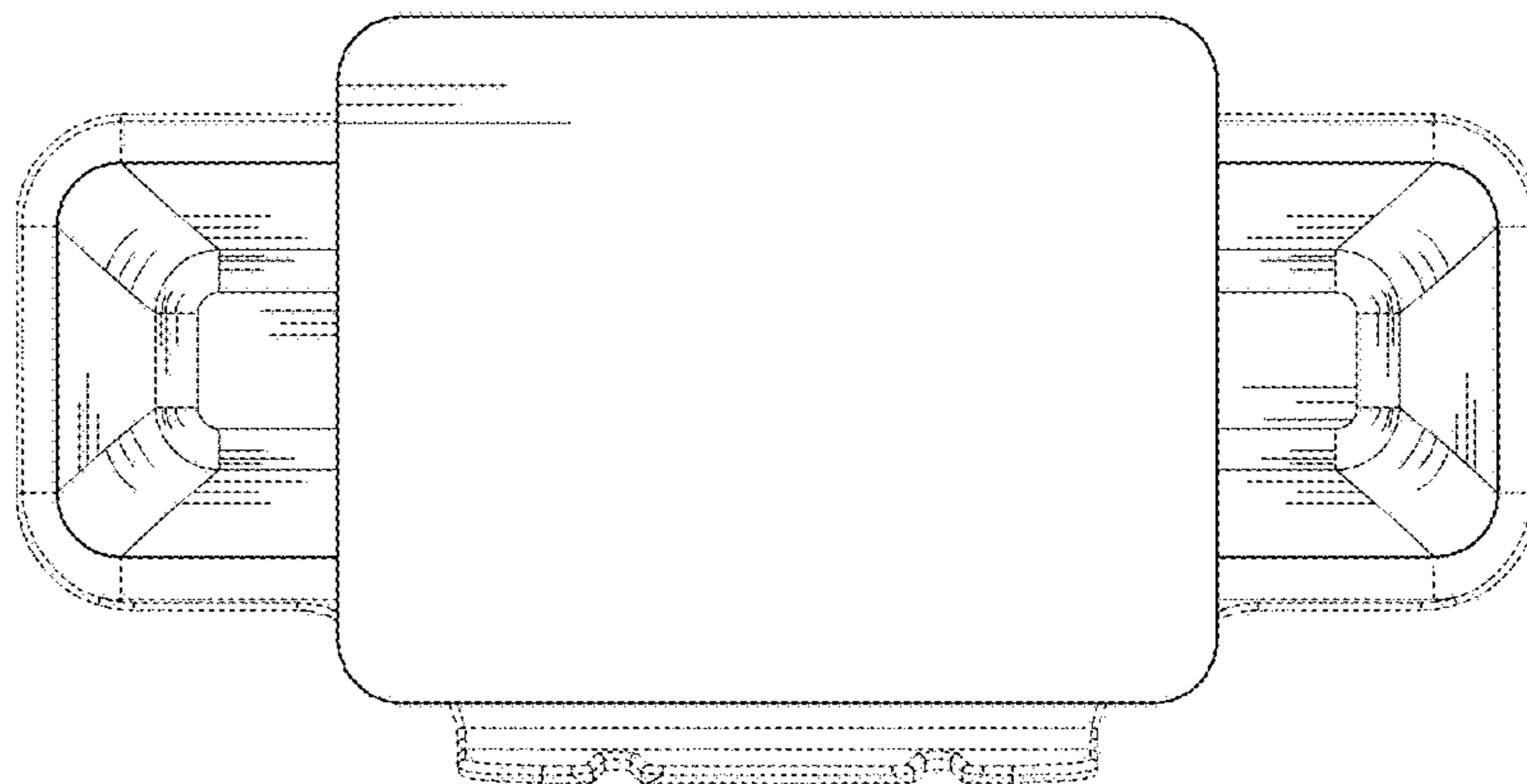


Fig 6

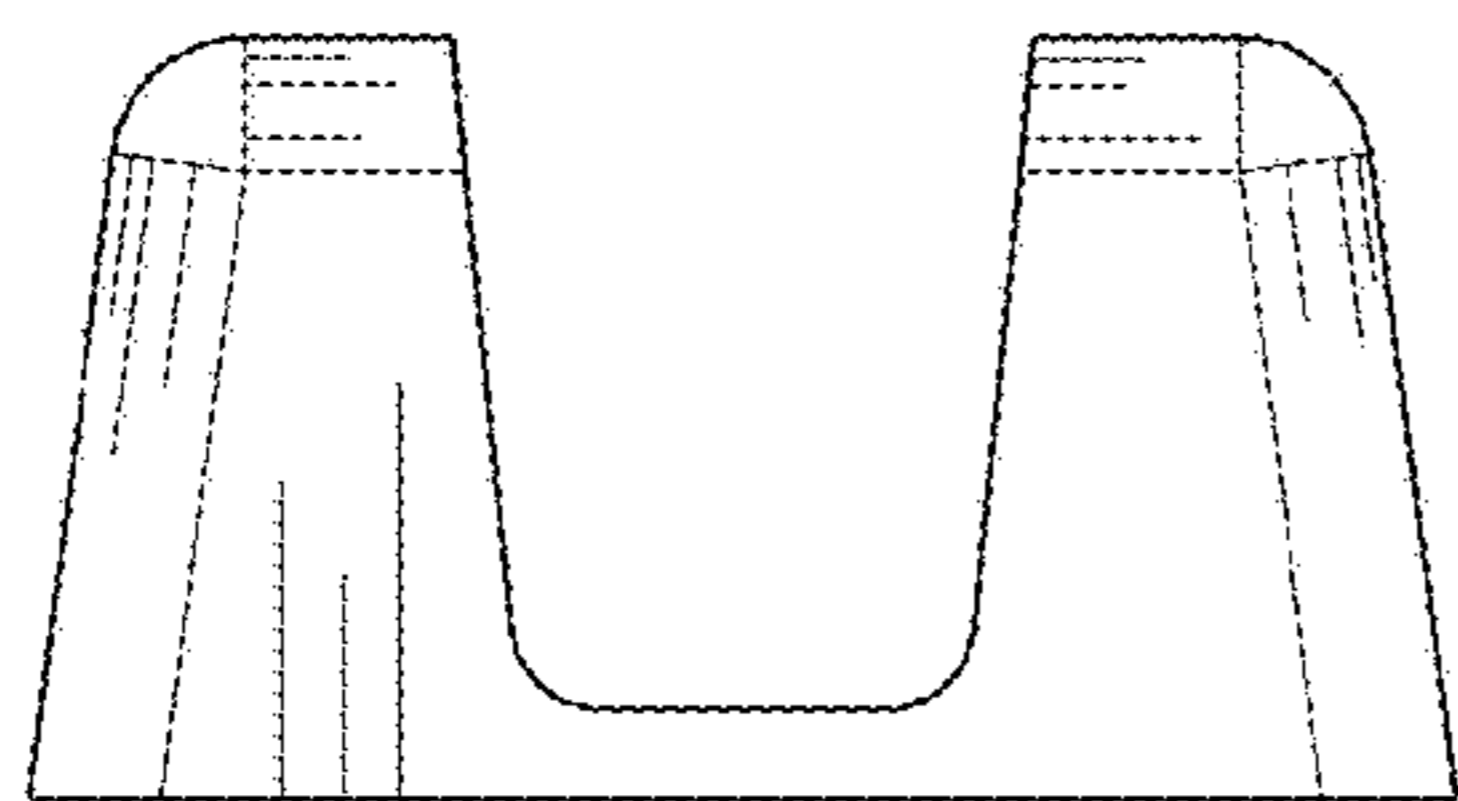
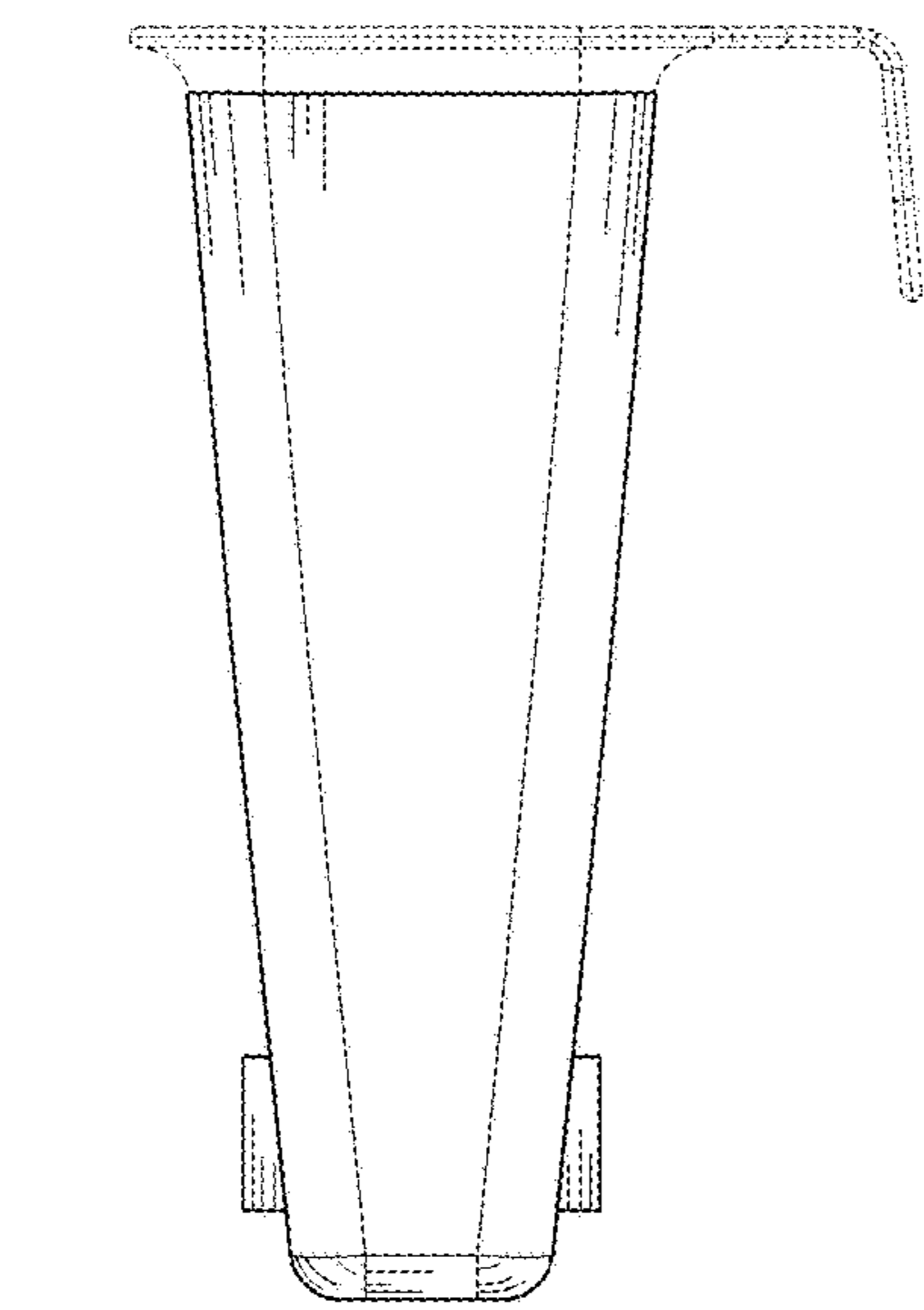


Fig 7

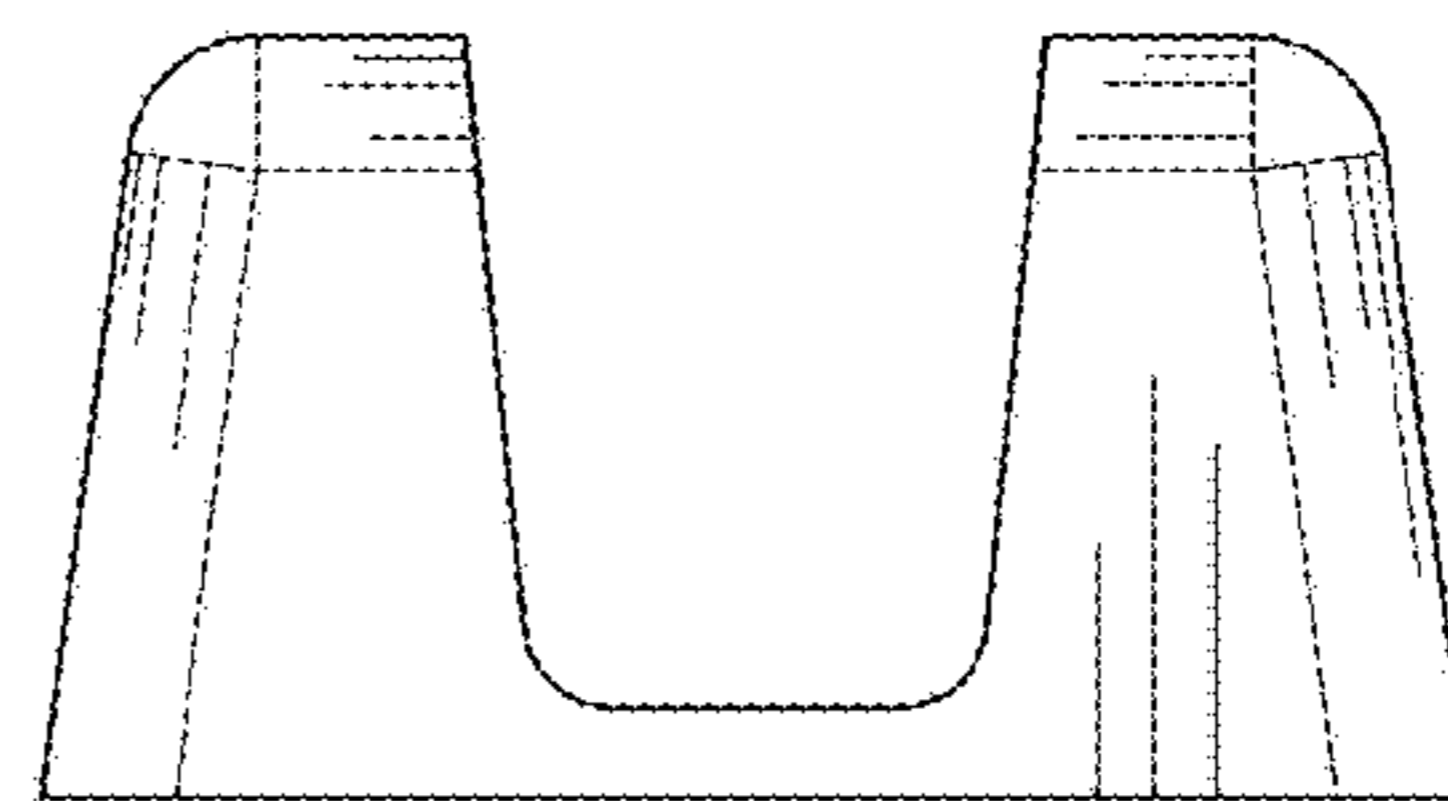
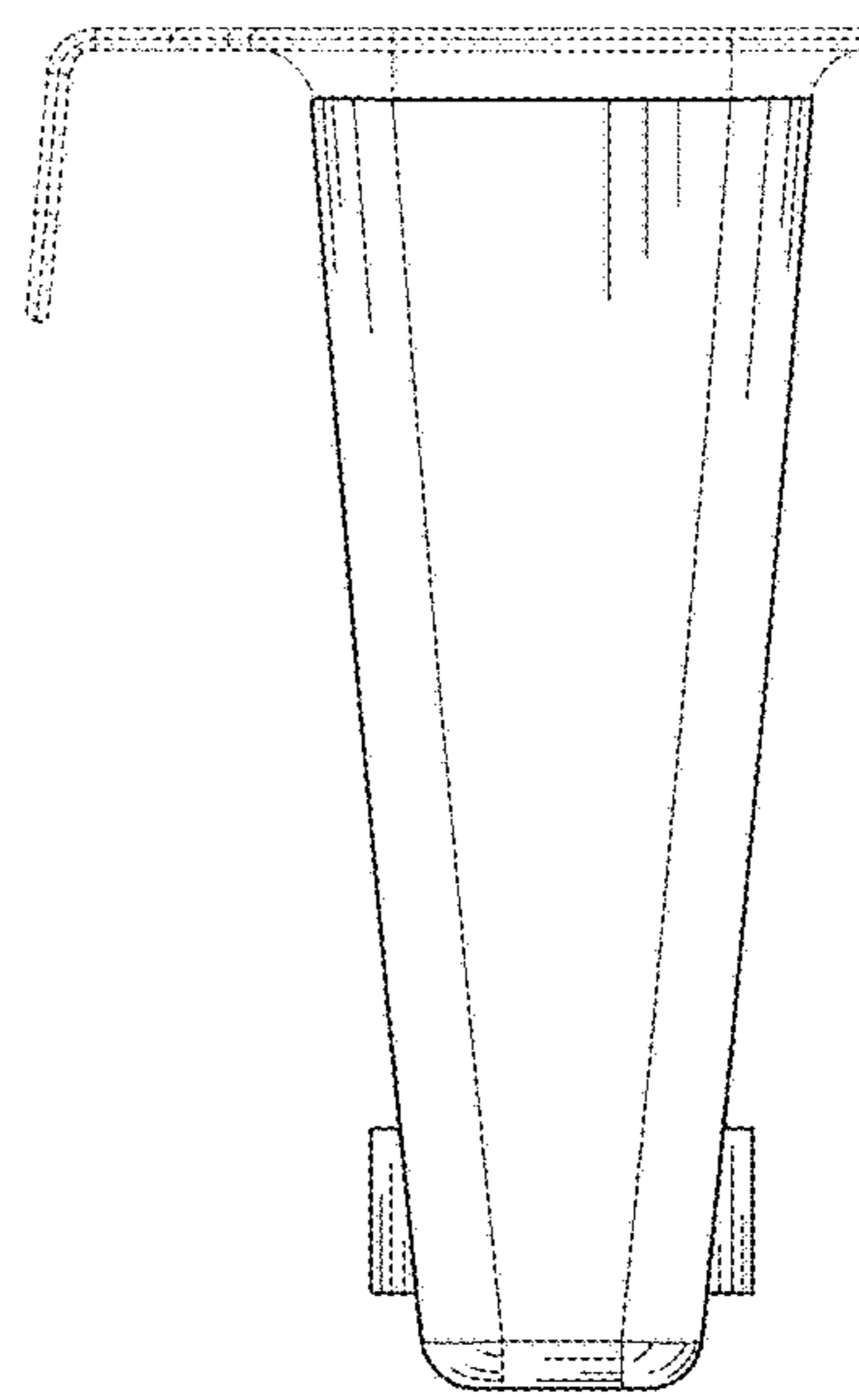


Fig 8

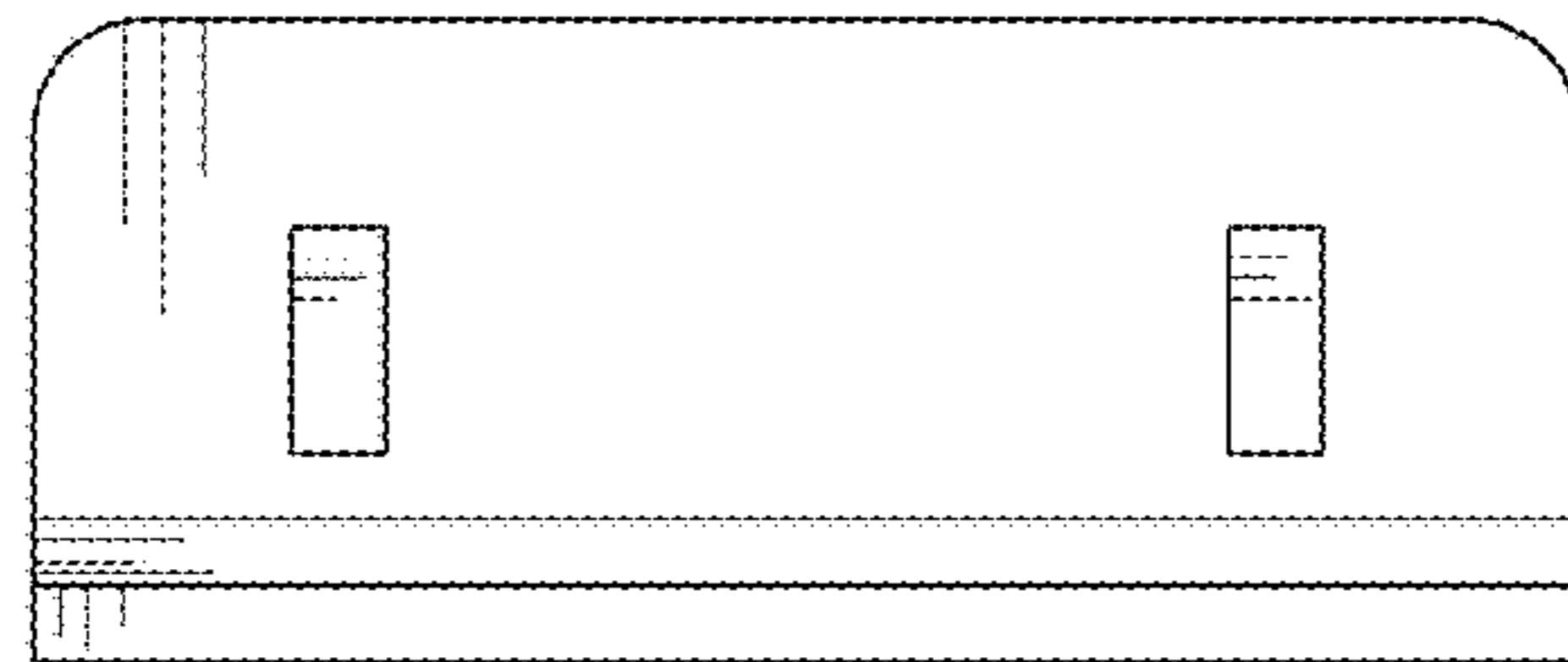


Fig 9

