



US00D854324S

(12) **United States Design Patent** (10) **Patent No.:** **US D854,324 S**
Tsui (45) **Date of Patent:** **** Jul. 23, 2019**

(54) **BASKET**
(71) Applicant: **Sam Tung Tsui**, Kowloon (HK)
(72) Inventor: **Sam Tung Tsui**, Kowloon (HK)
(**) Term: **15 Years**
(21) Appl. No.: **29/622,894**
(22) Filed: **Oct. 20, 2017**
(51) **LOC (11) Cl.** **03-01**
(52) **U.S. Cl.**
USPC **D3/304**
(58) **Field of Classification Search**
USPC D6/672, 675; D7/601-602; D3/272,
D3/304, 307, 308, 309, 312, 314, 315,
D3/905
CPC B65D 11/00; B65D 11/14; B65D 11/20;
B65D 71/0003; B65D 1/243
See application file for complete search history.

7,678,271 B2 3/2010 Curtin
D615,826 S 5/2010 Tsui
7,819,263 B1 10/2010 DiCarlo-Nelson
D635,769 S * 4/2011 Sosnovsky D3/304
D656,800 S 4/2012 Lee et al.
D658,949 S 5/2012 Tsui
8,215,230 B2 7/2012 Curtin
D692,715 S 11/2013 Tsui
8,887,942 B2 11/2014 Miksovsky et al.
D722,946 S * 2/2015 Armstrong D12/407
D724,905 S 3/2015 Tsui
9,044,082 B2 6/2015 Kusuma et al.
D743,171 S * 11/2015 Reinhart D3/279
D749,373 S 2/2016 Tsui
D778,611 S * 2/2017 Shpitzer D3/304

(Continued)

(56) **References Cited**

U.S. PATENT DOCUMENTS

1,724,743 A 8/1929 Allen
D141,398 S * 5/1945 Livesay D3/309
D155,392 S * 10/1949 Danielson D3/309
2,899,110 A 8/1959 Parker
4,720,020 A * 1/1988 Su B65D 19/42
220/1.5
5,384,138 A 1/1995 Robbins, III et al.
D358,484 S * 5/1995 Cautereels D3/310
D395,362 S * 6/1998 Fink D3/307
D395,756 S * 7/1998 Tanji D3/304
D397,250 S * 8/1998 Fink D3/309
5,900,293 A 5/1999 Zettle
D448,567 S * 10/2001 Buss D3/304
6,354,456 B2 3/2002 Rapson
6,705,471 B2 3/2004 Kataoka
6,736,285 B2 5/2004 Stewart-Stand
D574,673 S 8/2008 Tsui
7,654,402 B2 2/2010 Kusuma et al.

OTHER PUBLICATIONS

Normann Copenhagen, Strainer blue, Funnel & Strainer, 6 pages, visited Dec. 19, 2013, available at <<http://www.normann-copenhagen.com/products/strainer>>.

Primary Examiner — Kelley A Donnelly

(74) *Attorney, Agent, or Firm* — Hinshaw & Culbertson LLP

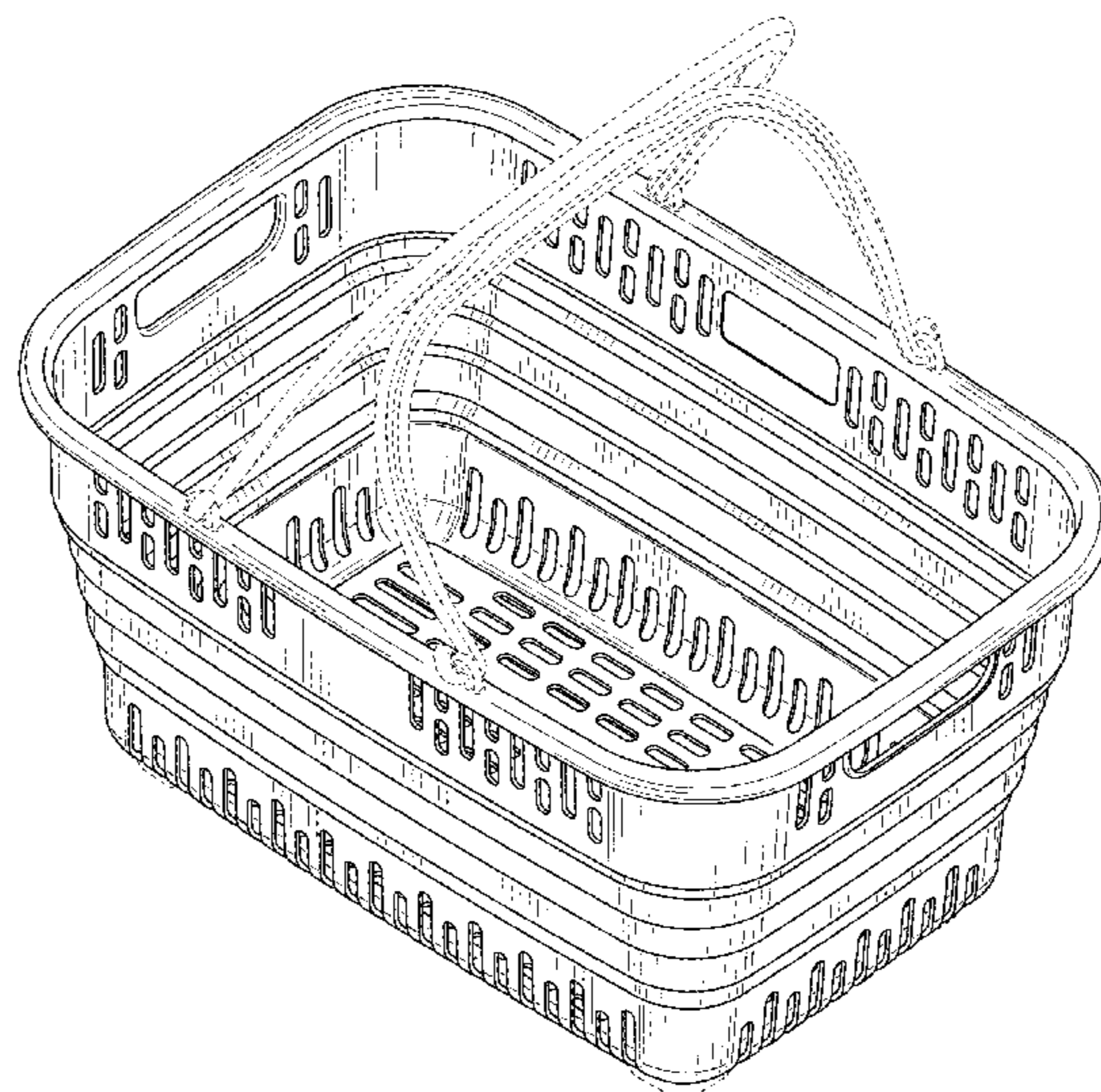
(57) **CLAIM**

The ornamental design for a basket, as shown and described.

DESCRIPTION

FIG. 1 is a perspective view of a basket of the invention. FIG. 2 is a front elevation view thereof, the back elevation view being identical. FIG. 3 is a right side elevation view thereof, the left side elevation view being identical. FIG. 4 is a top plan view thereof; and, FIG. 5 is a bottom plan view thereof. The dashed lines depict environment only that forms no part of the claimed design.

1 Claim, 5 Drawing Sheets



(56)

References Cited

U.S. PATENT DOCUMENTS

D801,049	S	*	10/2017	Mutoh	D3/304
D801,687	S	*	11/2017	Holland	D3/309
D802,926	S	*	11/2017	Turner	D3/304
D812,377	S	*	3/2018	Shpitzer	D3/304
2006/0096929	A1		5/2006	Repp et al.		
2007/0023439	A1		2/2007	Vaughn		
2007/0290466	A1		12/2007	Lenz		
2009/0032153	A1		2/2009	Burnett		
2009/0050429	A1		2/2009	Adams, Jr.		
2011/0248037	A1		10/2011	Fung		
2011/0272419	A1		11/2011	Vanderberg et al.		
2012/0205371	A1		8/2012	Lee		
2013/0206800	A1		8/2013	Simonsen		
2013/0277364	A1		10/2013	Kusuma		
2015/0251795	A1		9/2015	Tsui		
2015/0251808	A1		9/2015	Tsui		
2015/0291309	A1		10/2015	McGregor		
2016/0347503	A1		12/2016	Tsui		

* cited by examiner

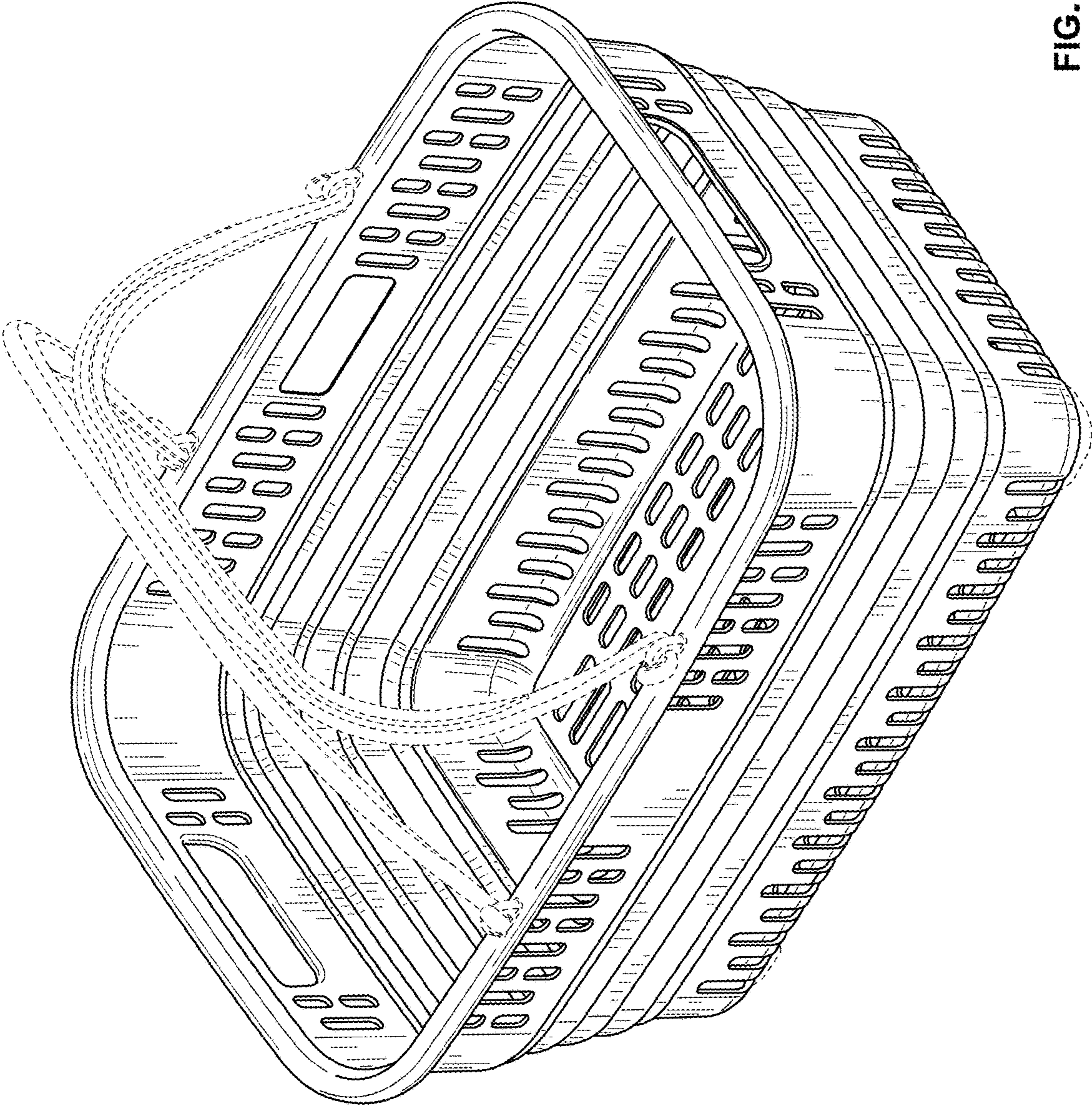


FIG. 1

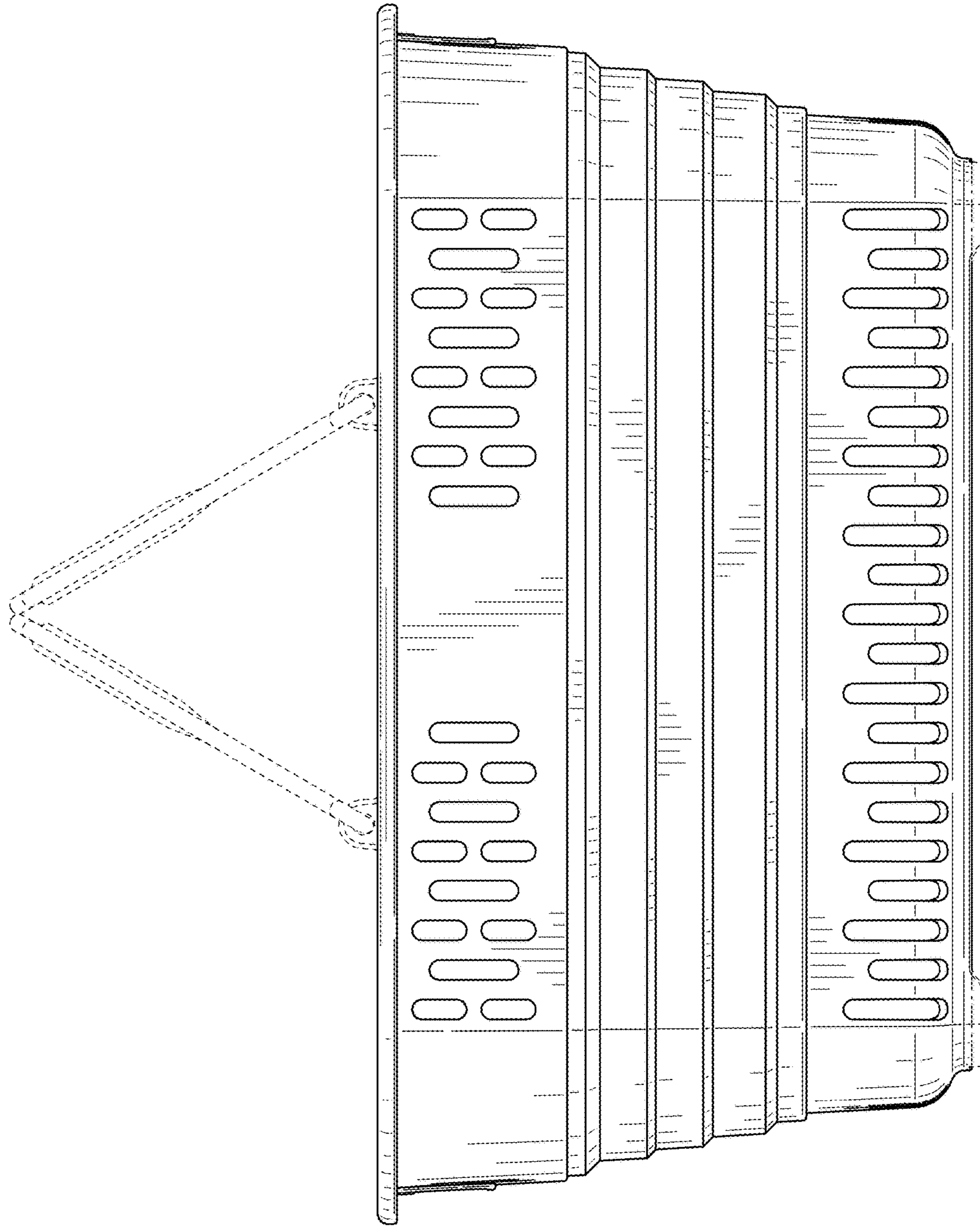


FIG. 2

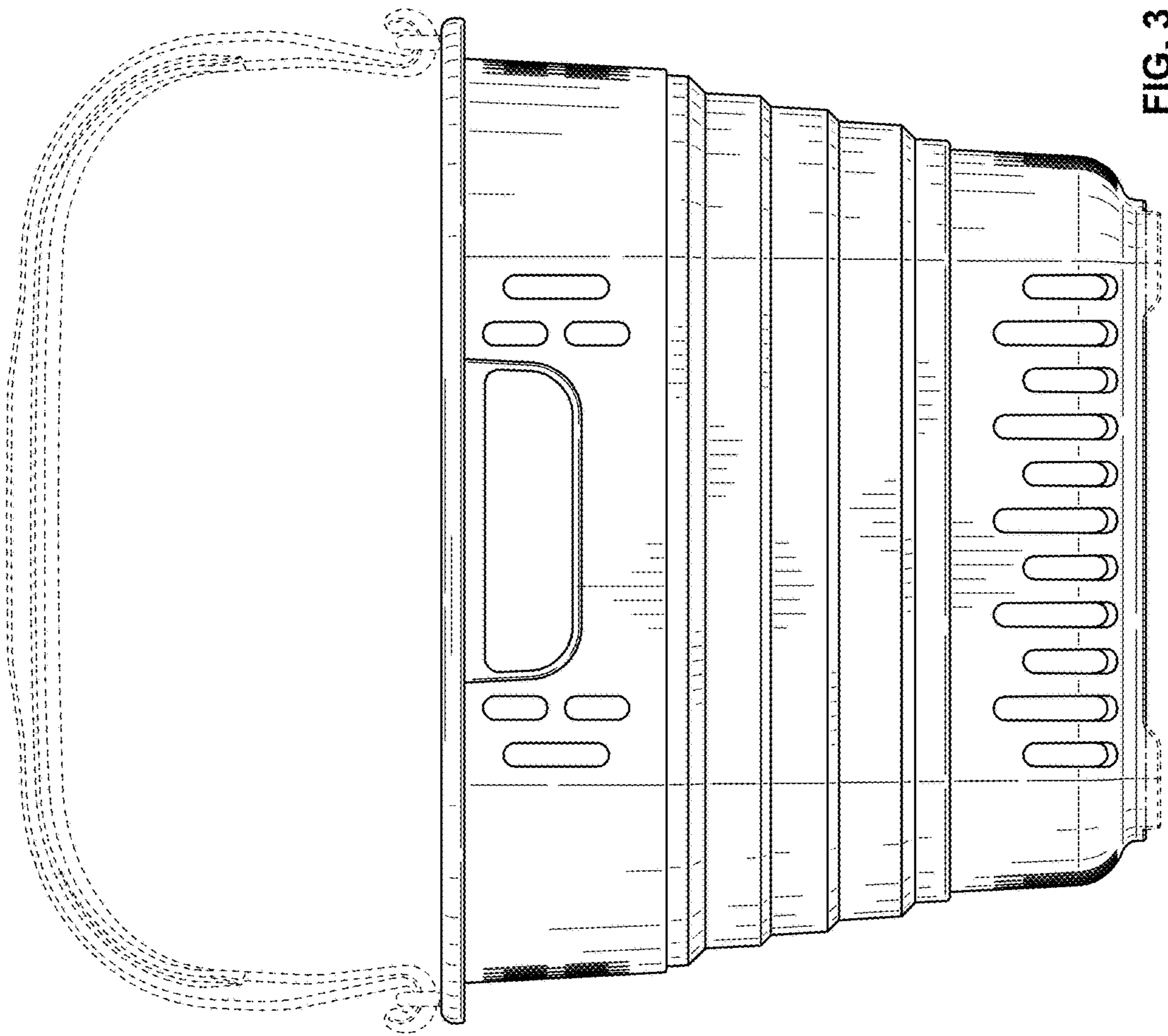


FIG. 3

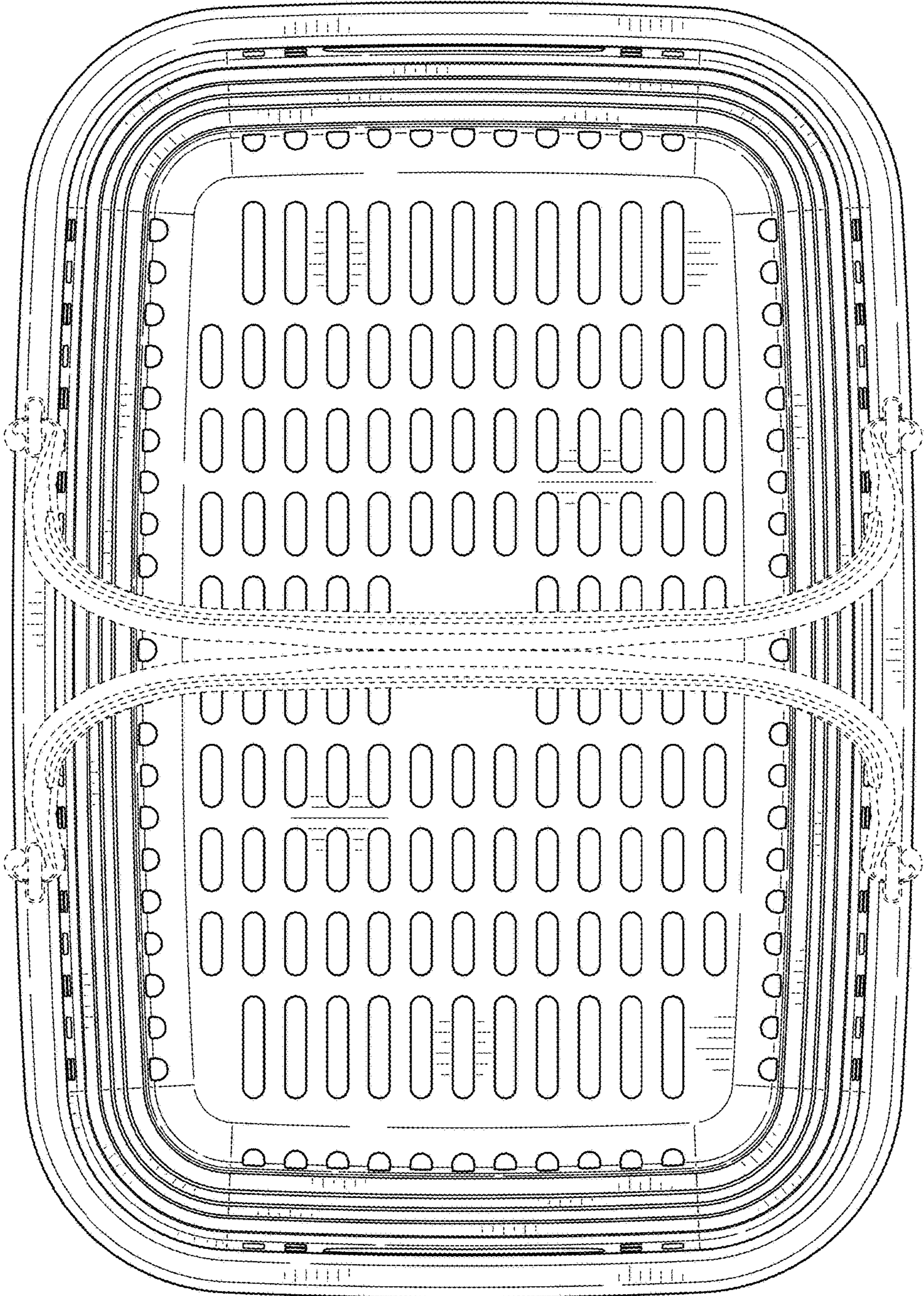


FIG. 4

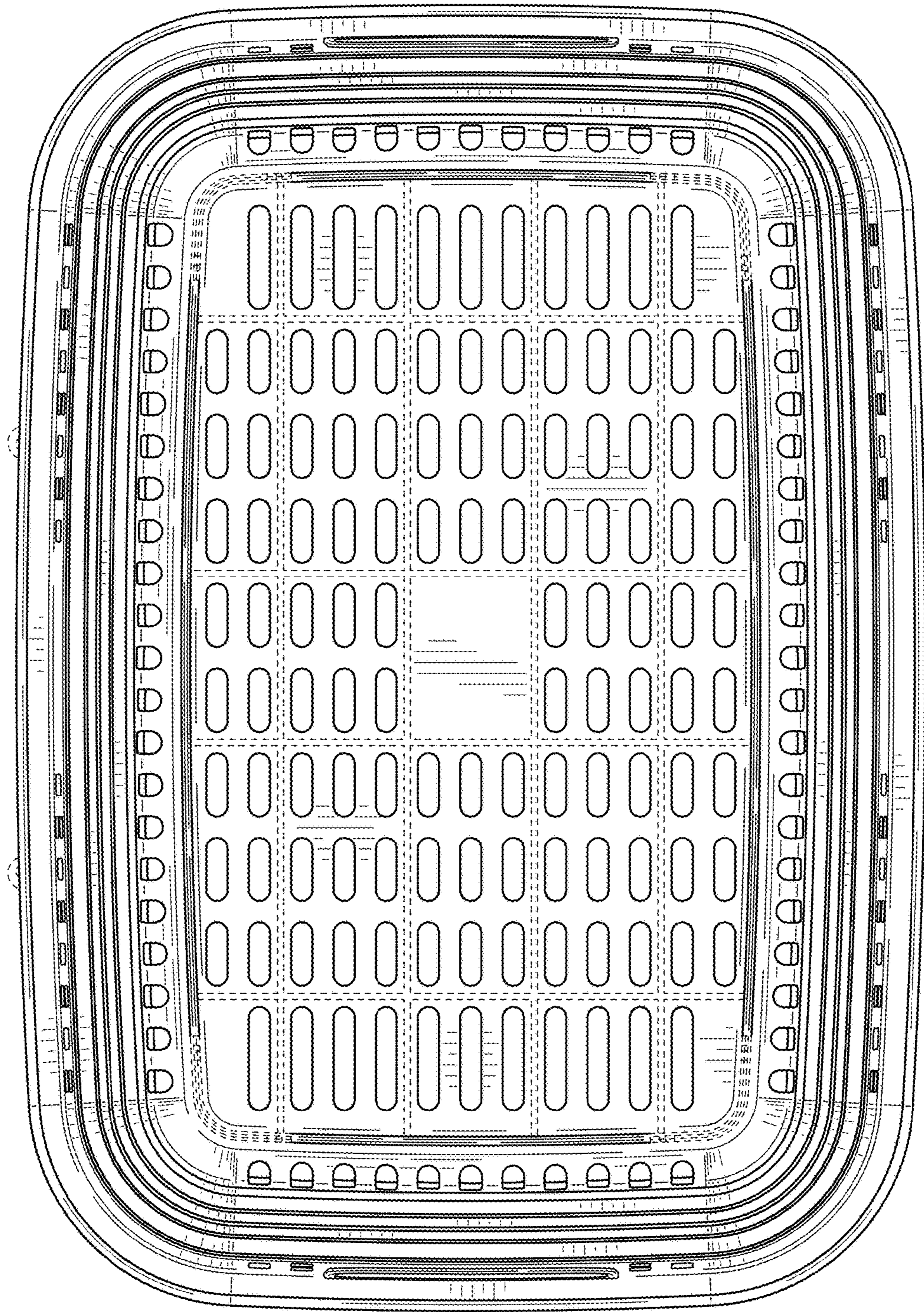


FIG. 5