



US00D854323S

(12) **United States Design Patent** (10) **Patent No.:** **US D854,323 S**  
**Calhoun** (45) **Date of Patent:** **\*\* Jul. 23, 2019**

(54) **THREE-TIER GIFT BASKET**  
 (71) Applicant: **Kenneth Calhoun**, Warner Robins, GA (US)  
 (72) Inventor: **Kenneth Calhoun**, Warner Robins, GA (US)  
 (\*\*) Term: **15 Years**  
 (21) Appl. No.: **29/614,918**

6,296,335 B1 \* 10/2001 Compagnucci ..... A47B 49/004  
 108/23  
 D451,703 S \* 12/2001 All ..... D6/677.1  
 D453,883 S \* 2/2002 Conde ..... D6/677.1  
 D480,581 S \* 10/2003 Searer ..... D6/677.1  
 D549,985 S \* 9/2007 Carroll ..... D6/405  
 D577,962 S \* 10/2008 Bauer ..... D7/552.2  
 D601,365 S \* 10/2009 LaValley ..... D6/677.1  
 D603,187 S \* 11/2009 Conway ..... D6/677.1  
 D642,405 S \* 8/2011 Frohne ..... D6/677.1  
 D774,597 S \* 12/2016 Lowery ..... D21/336  
 D793,130 S \* 8/2017 Ellison ..... D6/677.1  
 2014/0339185 A1\* 11/2014 Ellison ..... A47F 5/04  
 211/119.003

(22) Filed: **Aug. 24, 2017**  
 (51) **LOC (11) Cl.** ..... **03-01**  
 (52) **U.S. Cl.**  
 USPC ..... **D3/304**  
 (58) **Field of Classification Search**  
 USPC ..... D6/672, 673, 677, 677.1, 702, 705, 512;  
 D7/601, 602; D3/304  
 CPC ..... A47J 47/16; A47G 19/02; A47G 23/06;  
 A47F 5/0018; A47F 5/0043; A47F 5/04  
 See application file for complete search history.

\* cited by examiner

*Primary Examiner* — Kelley A Donnelly  
 (74) *Attorney, Agent, or Firm* — Jerry D Haynes; Law  
 Office of Jerry D Haynes PA

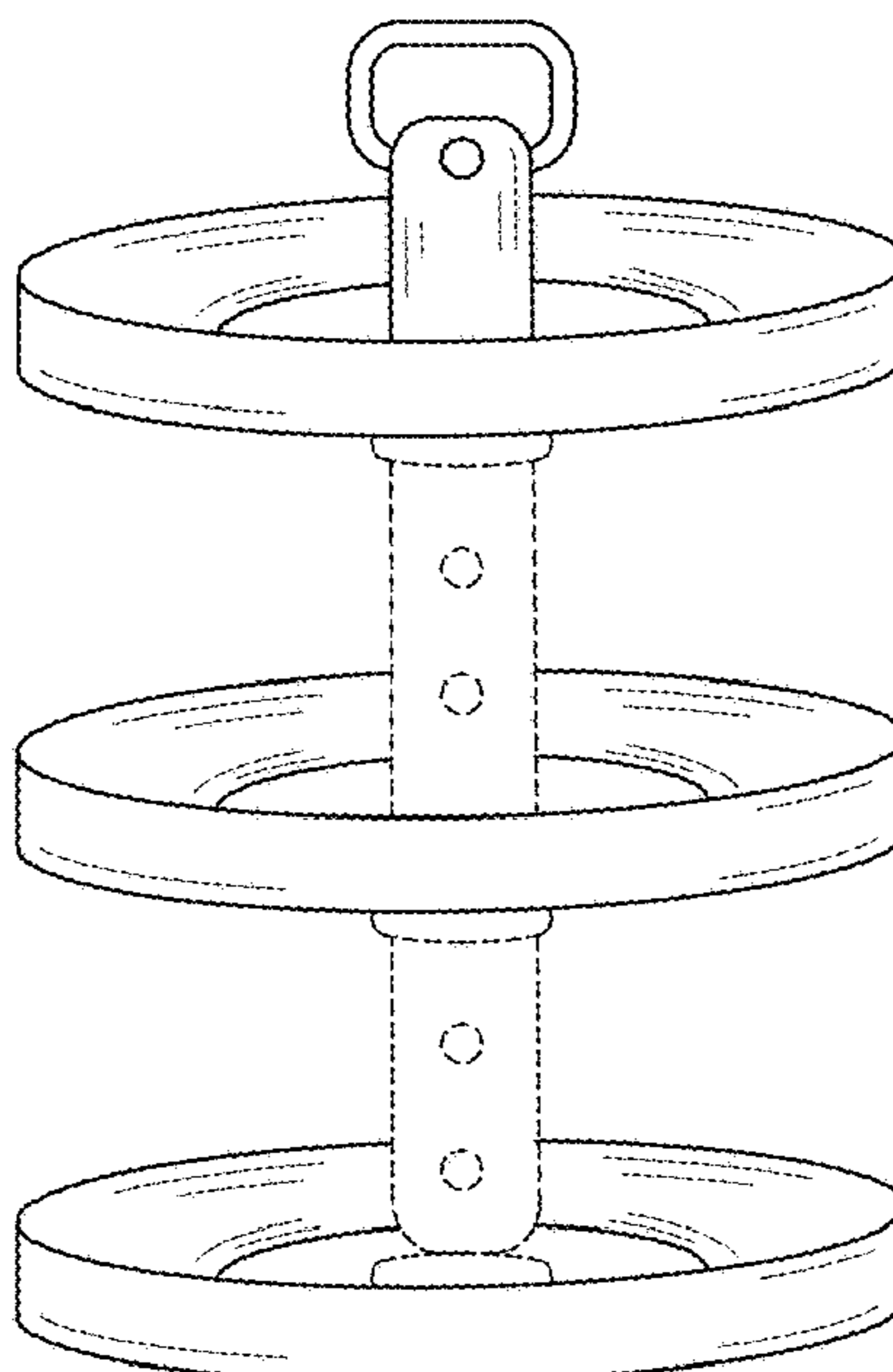
(57) **CLAIM**  
 The ornamental design for a three-tier gift basket, as shown.

**DESCRIPTION**

FIG. 1 depicts a perspective view of a three-tier gift basket according to the present invention.  
 FIG. 2 depicts a side view of the three-tier gift basket according to the present invention.  
 FIG. 3 depicts a bottom view of the three-tier gift basket according to the present invention; and,  
 FIG. 4 depicts a top view of the three-tier gift basket according to the present invention.

**1 Claim, 4 Drawing Sheets**

(56) **References Cited**  
 U.S. PATENT DOCUMENTS  
 D149,046 S \* 3/1948 Blumenthal et al. .... D7/501  
 3,951,079 A \* 4/1976 Tolleson ..... A47F 5/02  
 108/94  
 D241,192 S \* 8/1976 Salcer ..... D6/407  
 D292,953 S \* 12/1987 Cave ..... D6/405  
 D354,862 S \* 1/1995 Goldberg ..... D6/677.1  
 D407,920 S \* 4/1999 Duffield ..... D6/677.1



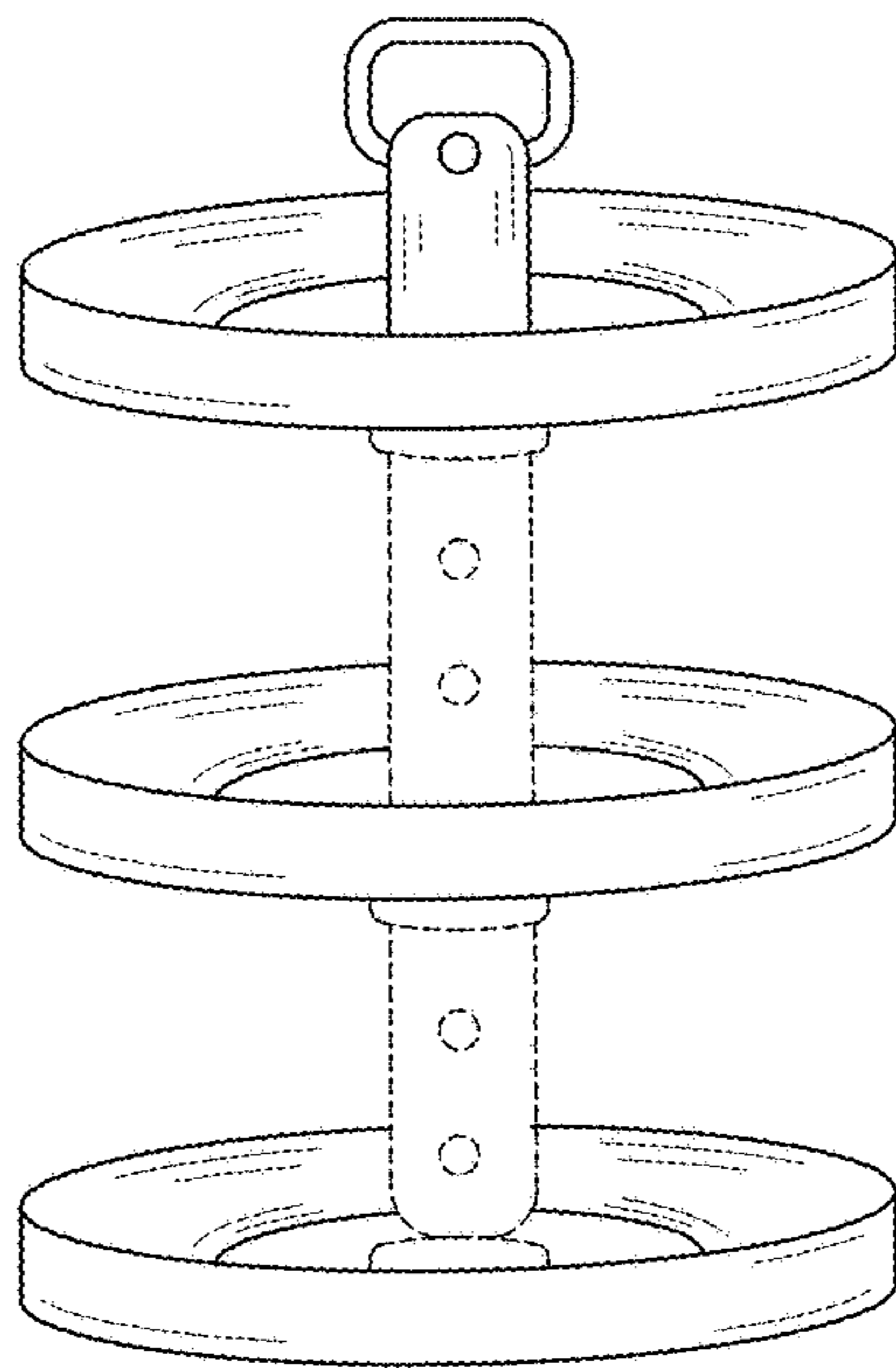


FIG. 1

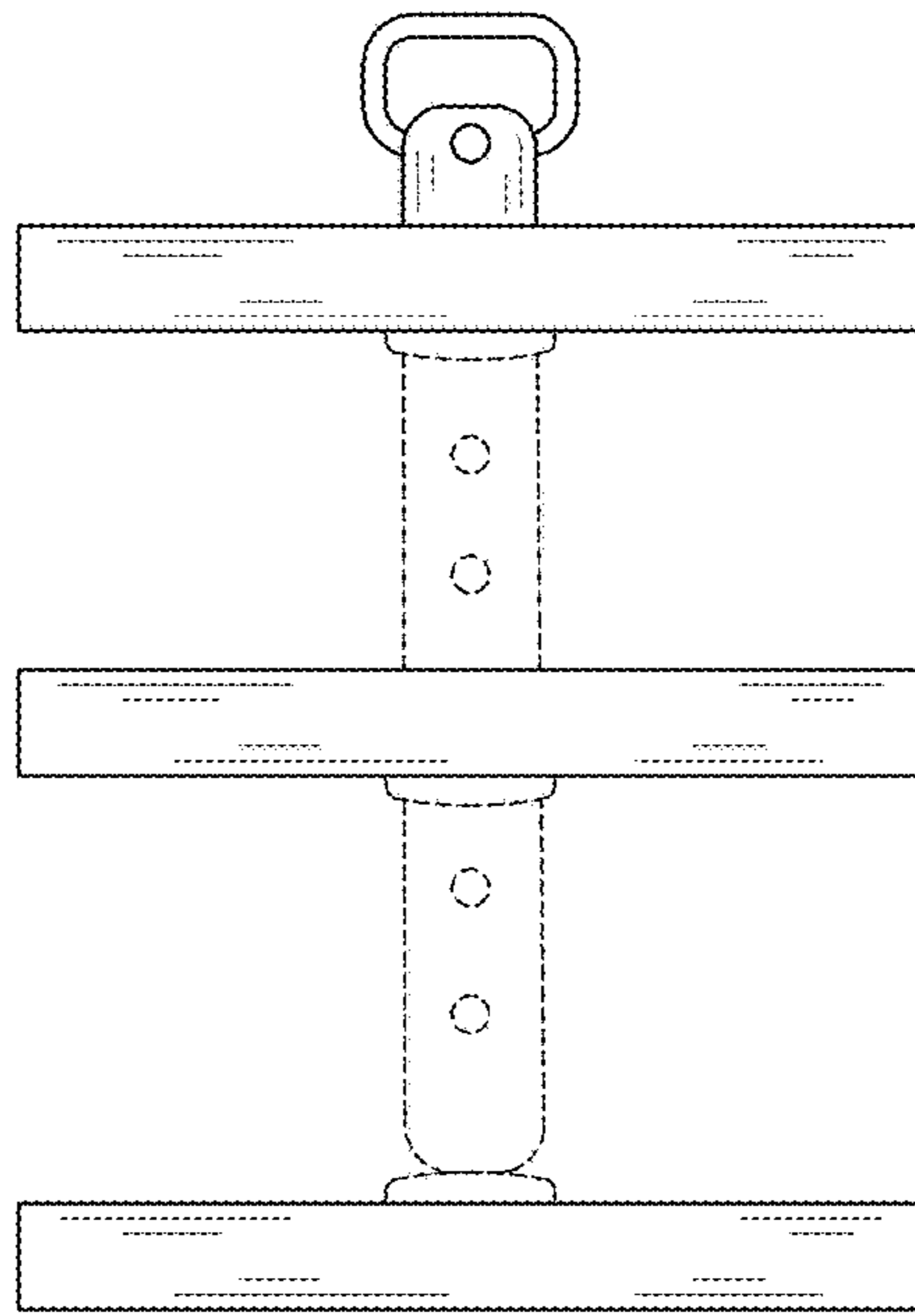


FIG. 2

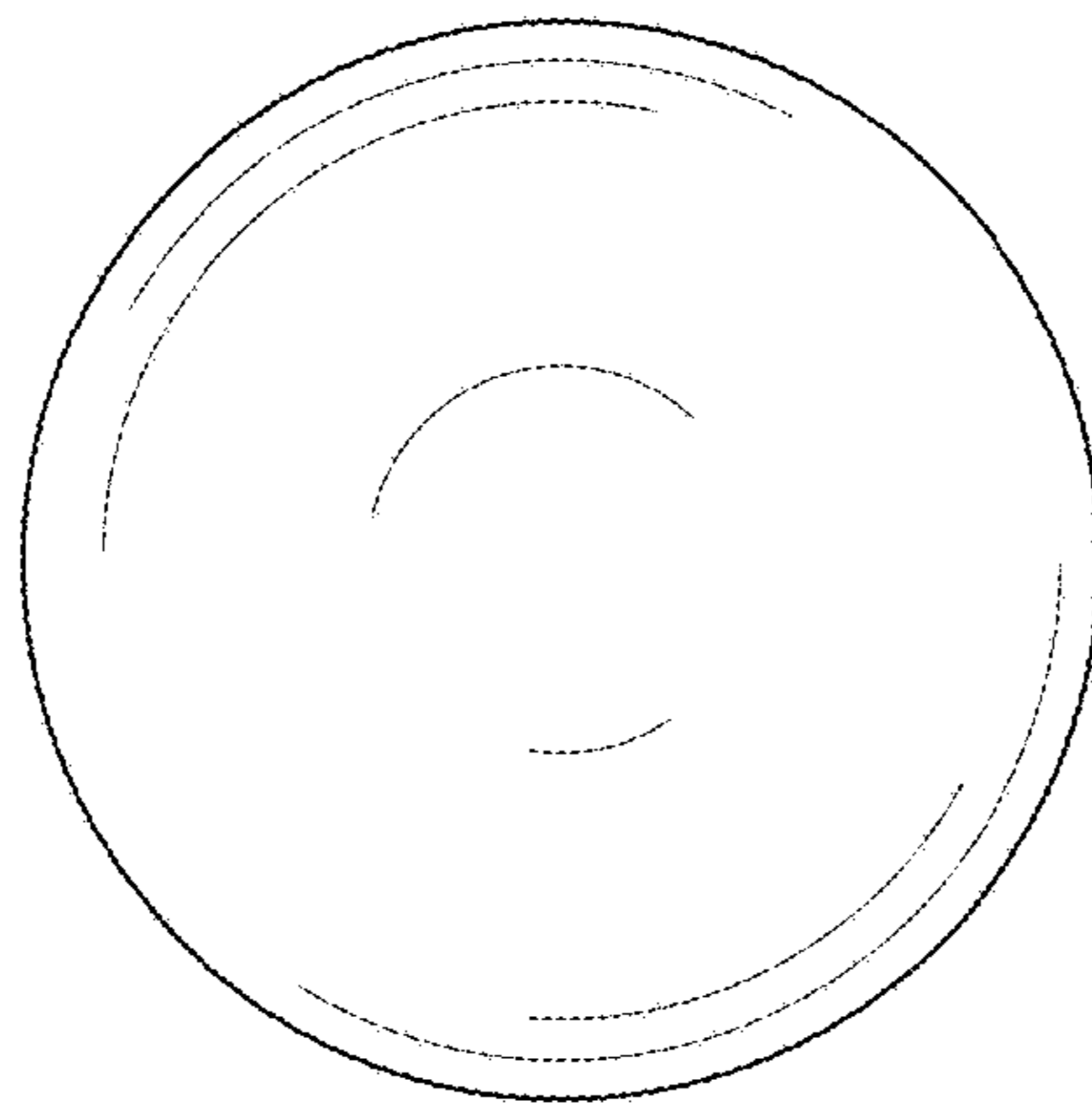


FIG. 3

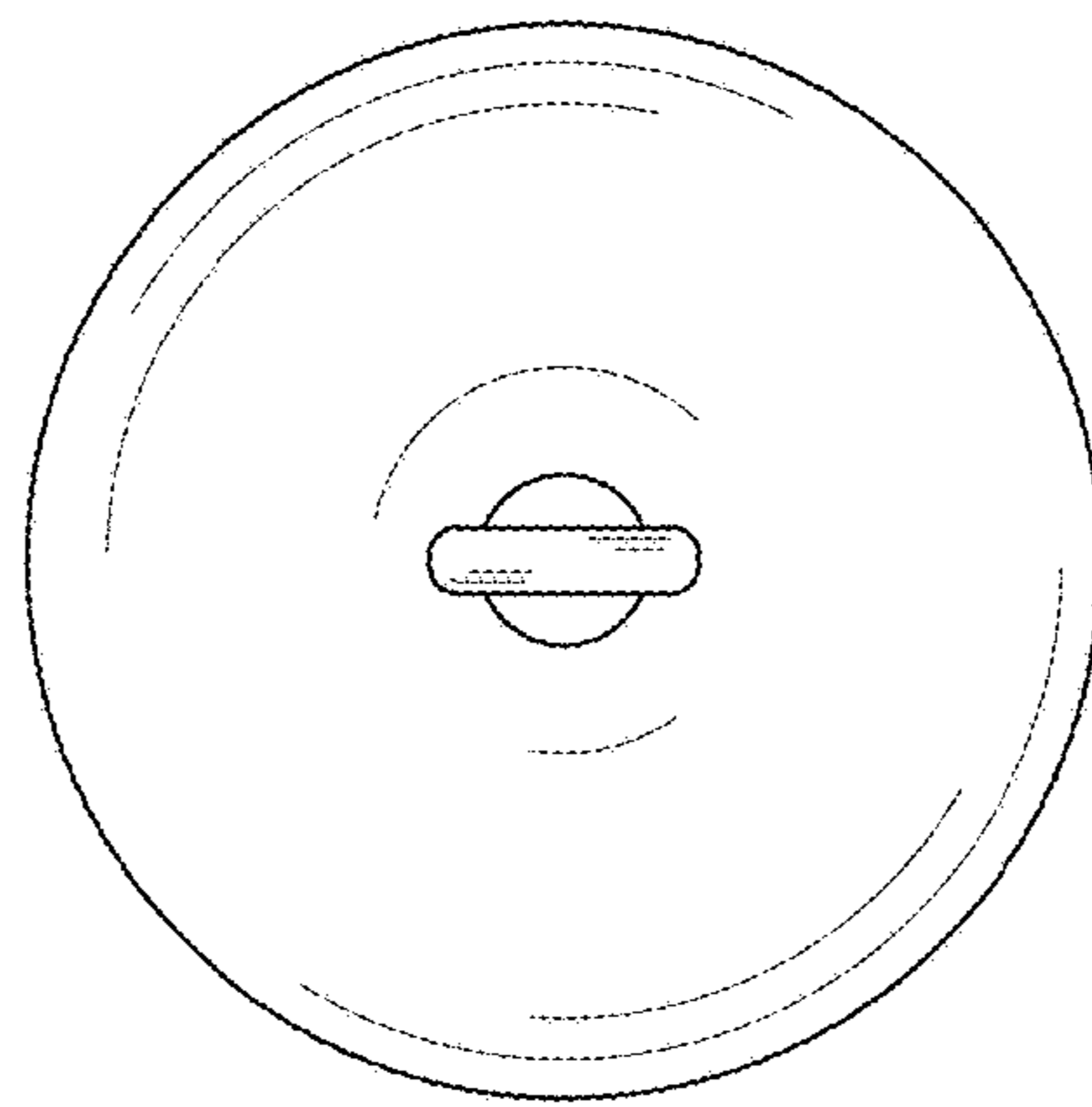


FIG. 4