



US00D854319S

(12) **United States Design Patent**
Tomasetta

(10) **Patent No.:** **US D854,319 S**
(45) **Date of Patent:** **** Jul. 23, 2019**

(54) **HANDBAG**

D630,430 S * 1/2011 Gonzalez D3/232
D631,652 S * 2/2011 Vauzelles D3/232
D826,553 S * 8/2018 Vaccarello D3/232

(71) Applicant: **Chloe S.A.S.**, Paris (FR)

* cited by examiner

(72) Inventor: **Marco Ettore Tomasetta**, Paris (FR)

Primary Examiner — Holly H Baynham

(73) Assignee: **Chloe S.A.S.**, Paris (FR)

(74) *Attorney, Agent, or Firm* — Fross Zelnick Lehrman & Zissu, P.C.; Charles T. J. Weigell, Esq.

(**) Term: **15 Years**

(21) Appl. No.: **29/641,551**

(57) **CLAIM**

(22) Filed: **Mar. 22, 2018**

The ornamental design for a handbag, as shown and described.

(30) **Foreign Application Priority Data**

DESCRIPTION

Sep. 25, 2017 (FR) 2017-4339

(51) **LOC (11) Cl.** **03-01**

(52) **U.S. Cl.**

USPC **D3/243**

(58) **Field of Classification Search**

USPC D3/232–233, 240–243, 245–246

CPC A45C 1/024; A45C 3/06

See application file for complete search history.

FIG. 1 is a front perspective view of a handbag showing my new design;

FIG. 2 is a front view thereof;

FIG. 3 is a back view thereof;

FIG. 4 is a left side view thereof;

FIG. 5 is a right side view thereof;

FIG. 6 is a top view thereof;

FIG. 7 is a bottom view thereof; and,

FIG. 8 is a back perspective view thereof.

The broken lines depicting the horizontal bar elements show unclaimed subject matter for the design.

The dotted lines other than those depicting the horizontal bar elements are understood to represent stitching.

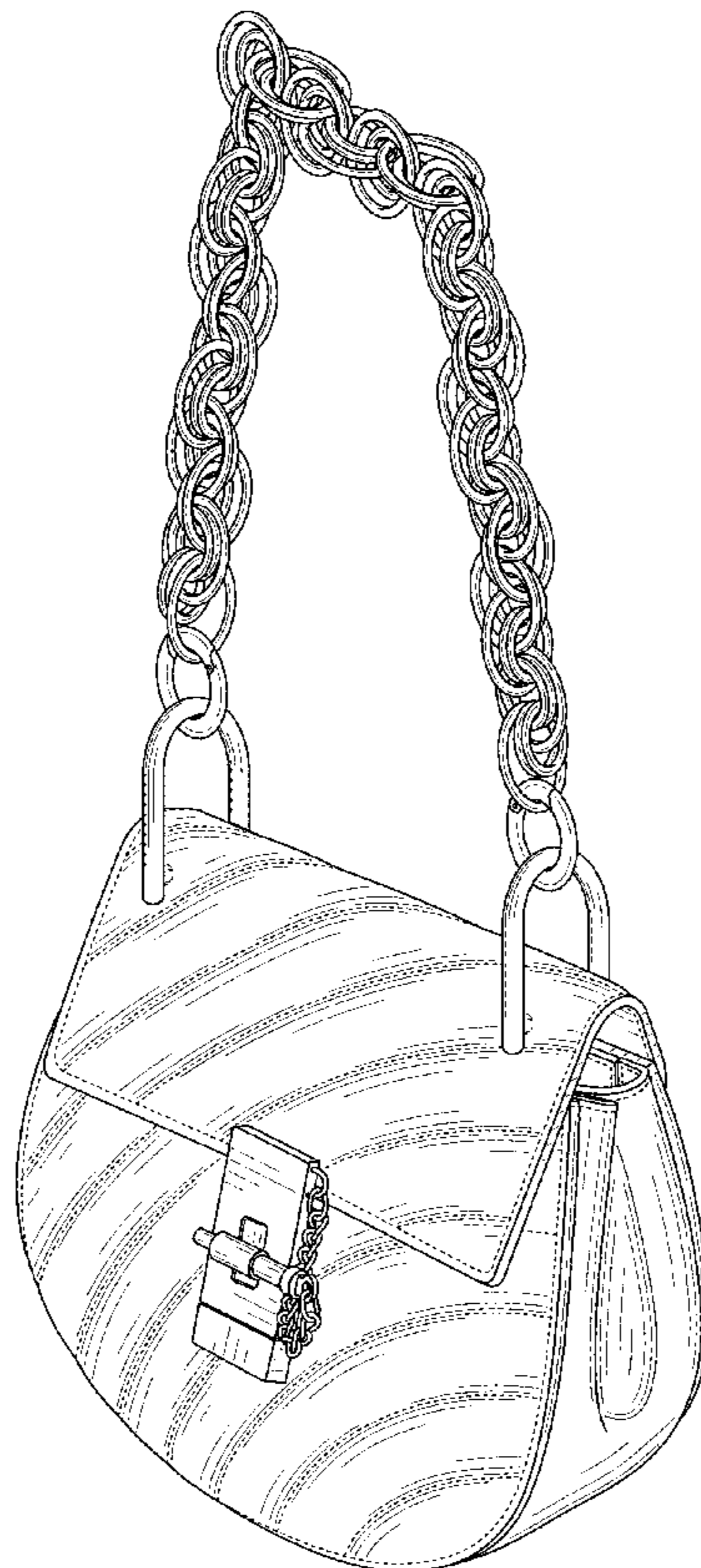
(56) **References Cited**

U.S. PATENT DOCUMENTS

D239,741 S * 4/1976 Mommsen D3/234

D582,666 S * 12/2008 Javits, Jr. D3/232

1 Claim, 8 Drawing Sheets



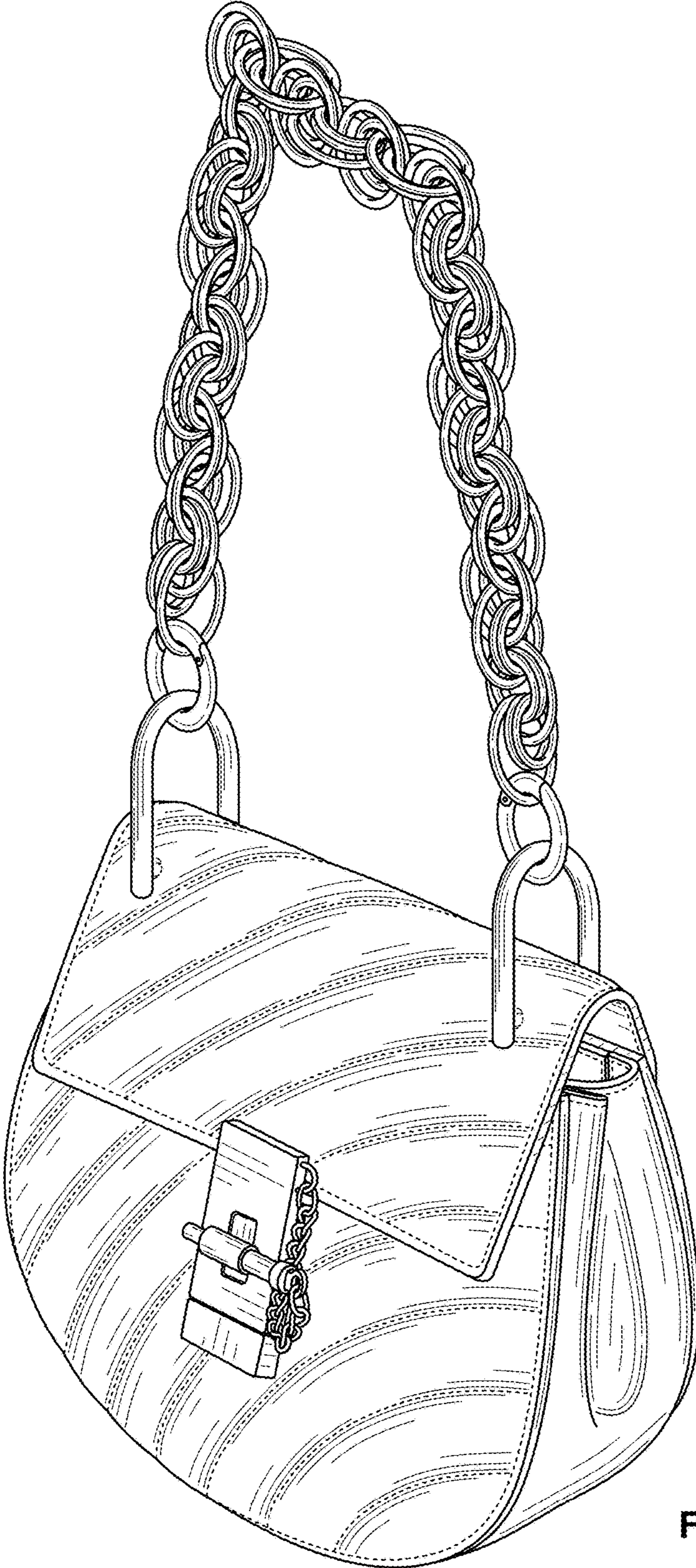


FIG. 1

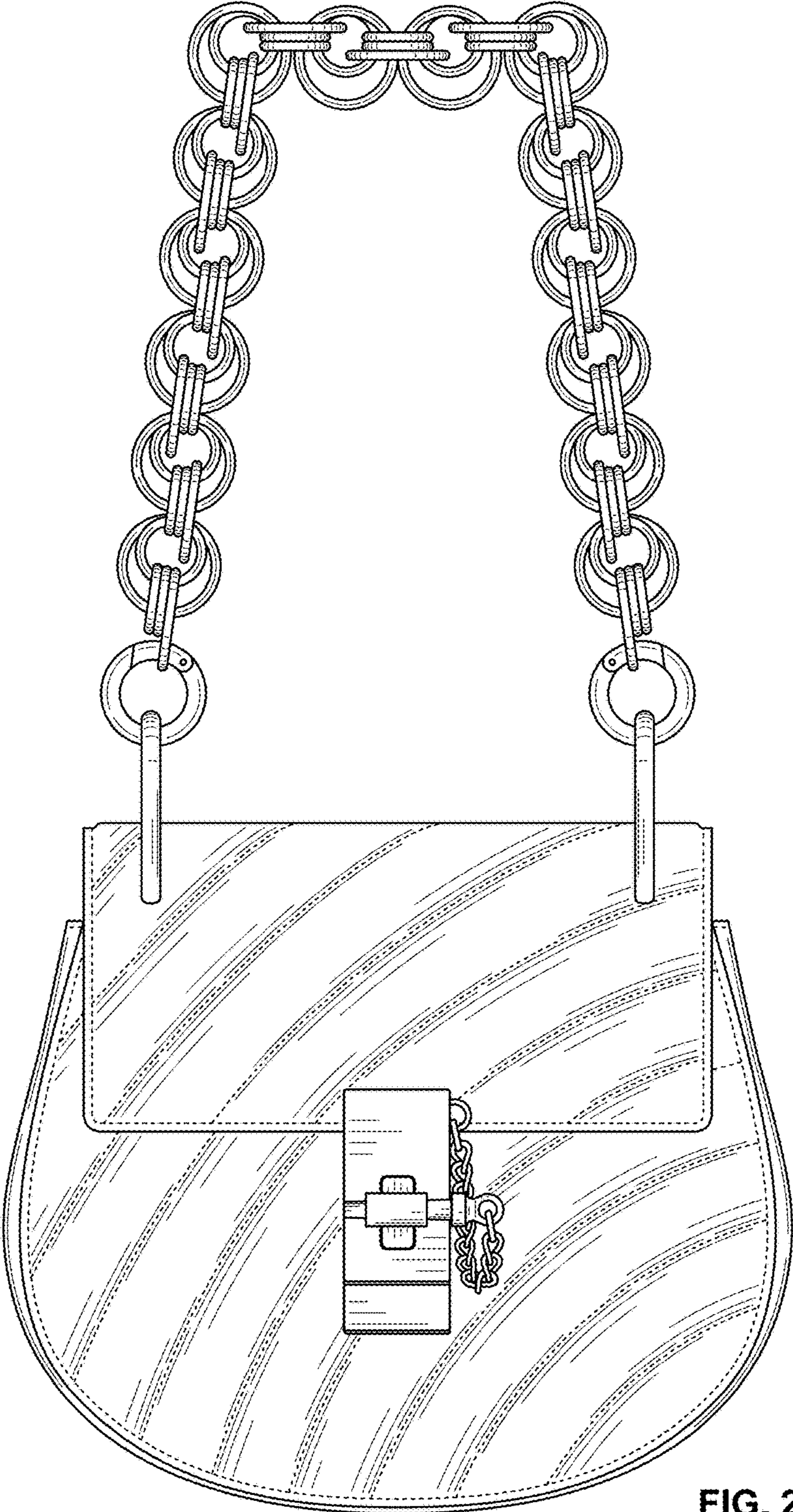


FIG. 2

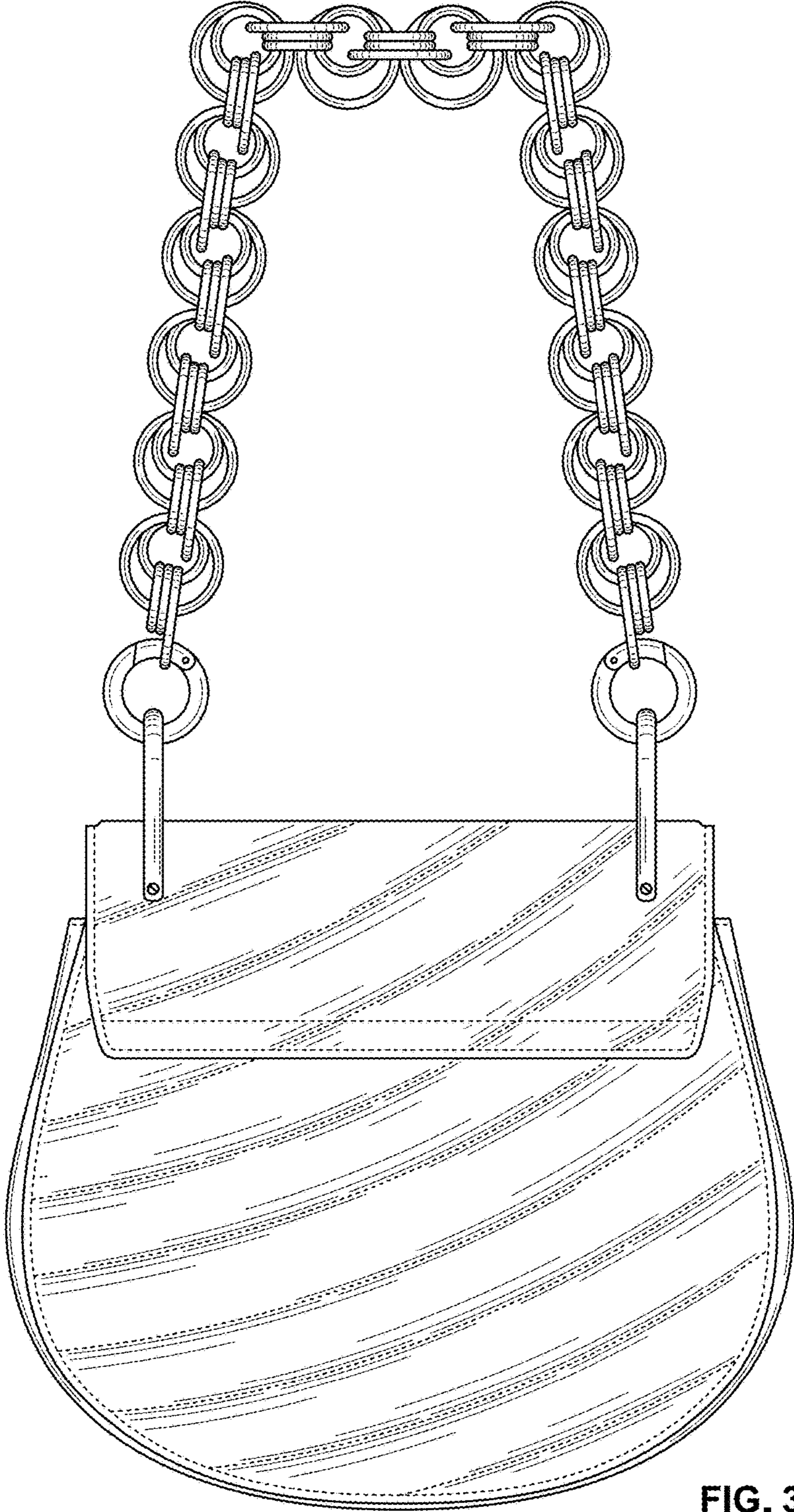


FIG. 3

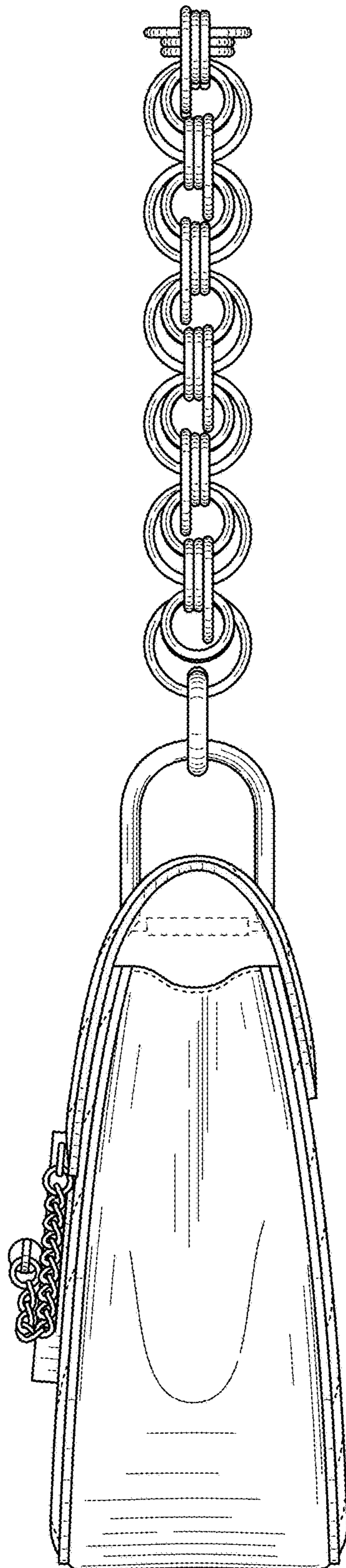


FIG. 4

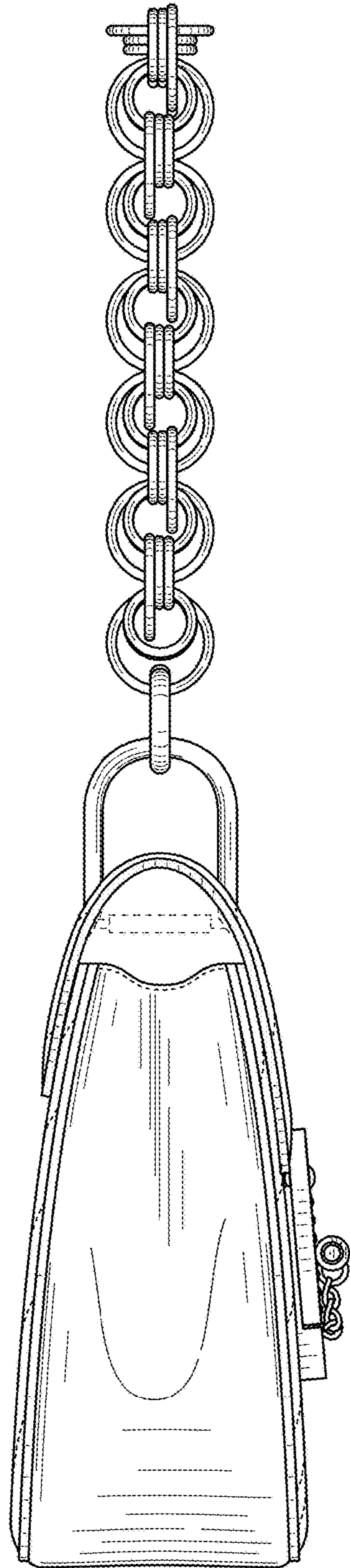


FIG. 5

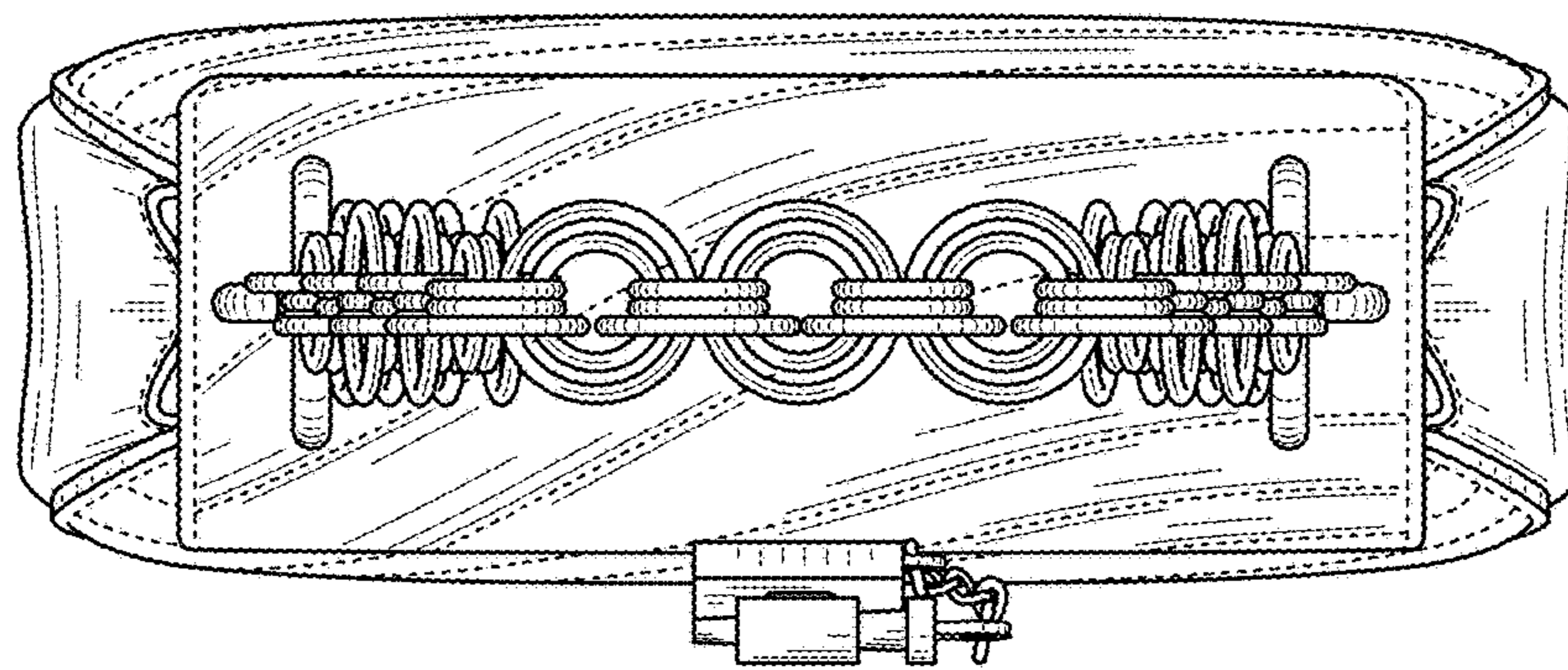


FIG. 6

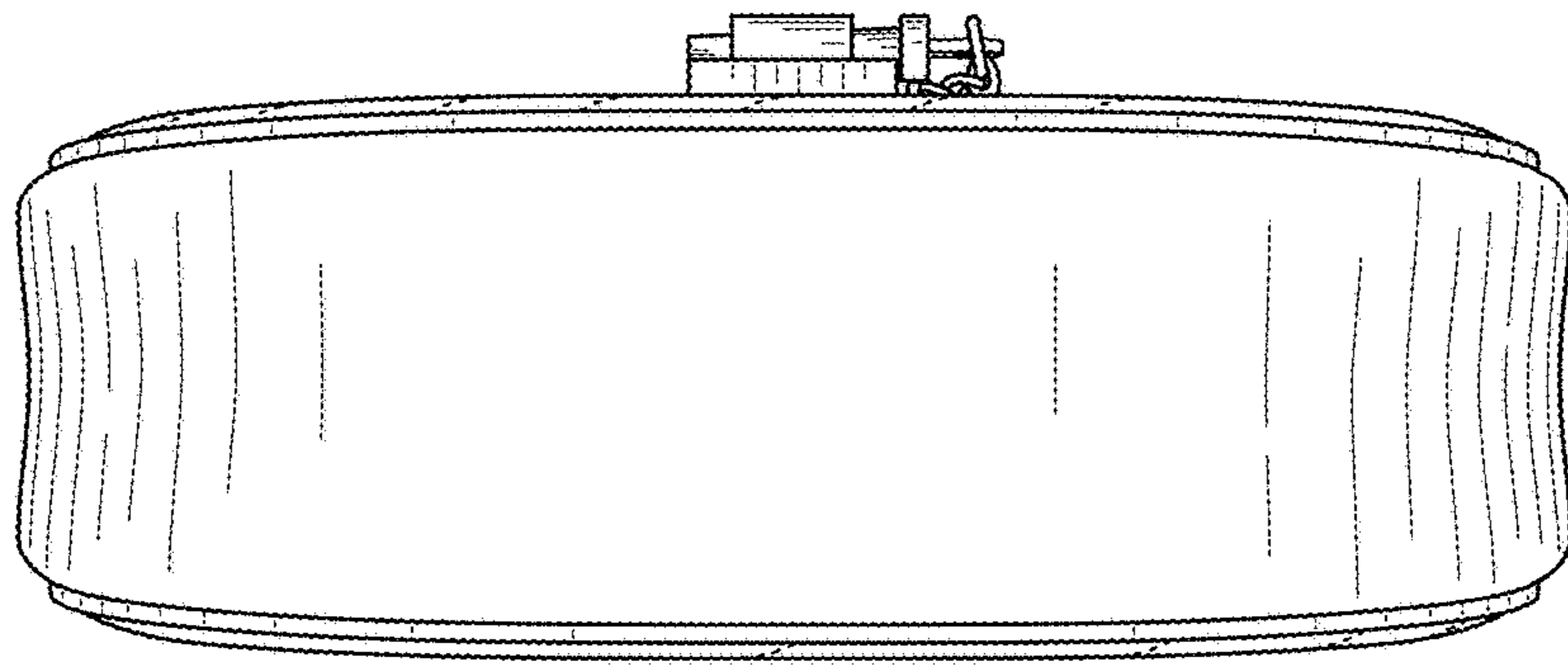


FIG. 7

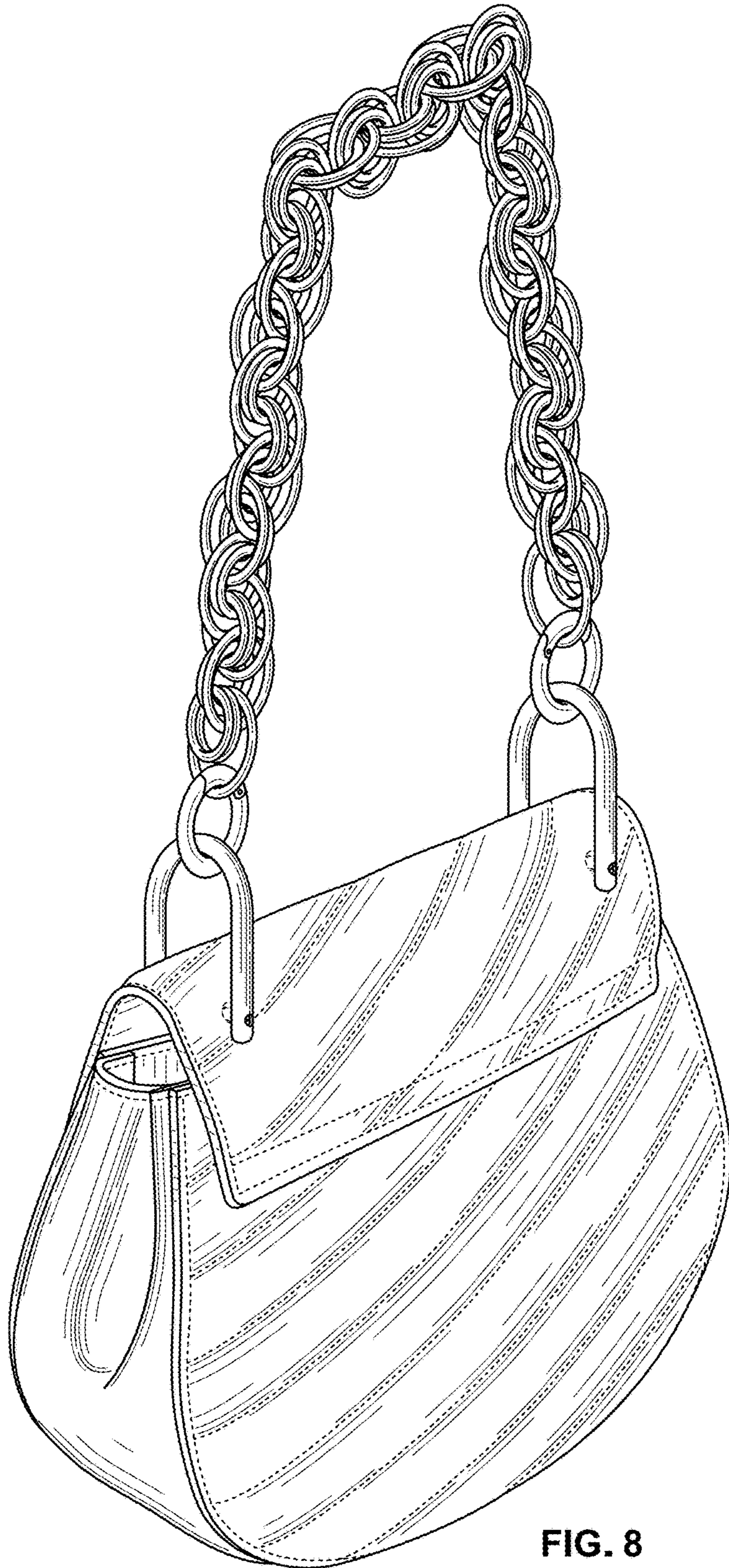


FIG. 8