



US00D854316S

(12) **United States Design Patent** (10) **Patent No.:** **US D854,316 S**
Stockinger et al. (45) **Date of Patent:** **** *Jul. 23, 2019**

- (54) **ACCESSORY FOR HAIRDRYERS**
- (71) Applicant: **Dyson Technology Limited**, Wiltshire (GB)
- (72) Inventors: **Britta Jessica Stockinger**, Bath (GB);
Andrea Ee-Va Lim, Bristol (GB)
- (73) Assignee: **Dyson Technology Limited**,
Malmesbury, Wiltshire (GB)
- (*) Notice: This patent is subject to a terminal disclaimer.
- (**) Term: **15 Years**
- (21) Appl. No.: **29/623,743**
- (22) Filed: **Oct. 26, 2017**
- (30) **Foreign Application Priority Data**

Apr. 24, 2017 (GB) 6011456

(51) **LOC (11) Cl.** **03-01**

(52) **U.S. Cl.**
USPC **D3/225**

(58) **Field of Classification Search**
USPC D3/205, 201, 232, 233, 243, 245, 249,
D3/225, 305; D28/18, 16, 12, 13, 9;
229/115, 116, 117.3, 117.09, 117.12,
229/117.22, 117.05, 117.07, 931
CPC B65D 5/2042; B65D 5/18; B65D 5/20;
B65D 5/00; B65D 5/0015; B65D 33/007
See application file for complete search history.

(56) **References Cited**

U.S. PATENT DOCUMENTS

- 4,842,421 A * 6/1989 Bullard B65D 33/20
383/61.4
- 5,174,658 A * 12/1992 Cook B65D 33/007
150/900

- 5,346,311 A * 9/1994 Siler B65D 33/007
383/104
- 6,168,312 B1 * 1/2001 Haussein B65D 33/1666
383/68
- 6,827,491 B2 * 12/2004 Kohl B65D 33/007
383/33

(Continued)

OTHER PUBLICATIONS

Stockinger et al., U.S. Office Action dated Oct. 17, 2018, directed to U.S. Appl. No. 29/638,092; 9 pages.

(Continued)

Primary Examiner — Susan Bennett Hattan
Assistant Examiner — Rebecca Tsehaye
(74) *Attorney, Agent, or Firm* — Morrison & Foerster
LLP

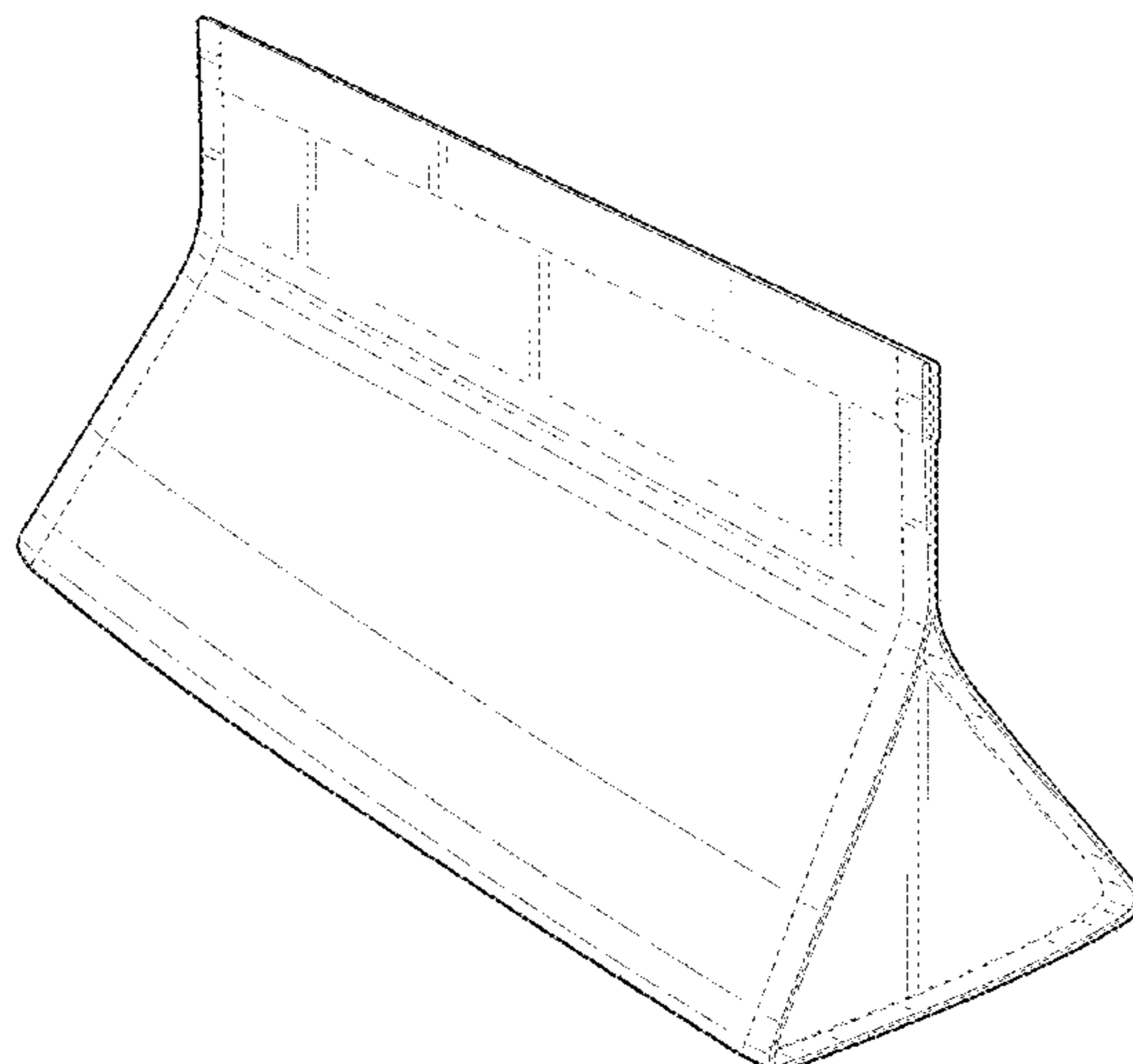
(57) **CLAIM**

We claim the ornamental design for an accessory for hair-dryers, as shown and described.

DESCRIPTION

FIG. 1 is a perspective view of an accessory for hairdryers showing our new design;
FIG. 2 is a perspective view thereof showing the top portion folded down;
FIG. 3 is a perspective view thereof showing the top portion open;
FIG. 4 is a front view thereof;
FIG. 5 is a side view thereof;
FIG. 6 is a top view thereof; and,
FIG. 7 is a top view thereof showing the top portion open. The views opposite the front view of FIG. 4 and the side view of FIG. 5 are mirror images thereof, and therefore, are omitted.
The dashed lines indicate decorative stitching.
The broken lines in the drawings depict portions of the accessory for hairdryers that form no part of the claimed design.

1 Claim, 7 Drawing Sheets



(56)

References Cited

U.S. PATENT DOCUMENTS

6,994,470 B2 * 2/2006 Galomb B29C 65/58
24/30.5 R
D519,280 S * 4/2006 Kellogg D3/305
D536,872 S * 2/2007 Kellogg D3/305
D555,905 S * 11/2007 Kellogg D3/305
D601,800 S * 10/2009 Kellogg D3/305
D611,705 S * 3/2010 Romero D3/232
7,699,211 B2 * 4/2010 Holloway B65D 5/008
229/115
D637,810 S * 5/2011 Romero D3/233
D662,708 S * 7/2012 Maillet D3/232
8,529,129 B2 * 9/2013 Turvey B65D 77/225
383/44
D698,146 S * 1/2014 Deneve D3/245
D718,529 S * 12/2014 Wang D3/290
D728,227 S * 5/2015 Hawkes D3/245
D787,181 S * 5/2017 Gale D3/245
D787,821 S * 5/2017 Liu D3/245
D788,459 S * 6/2017 Barnard D3/245
D788,579 S * 6/2017 Ogdon D9/431

9,682,802 B2 * 6/2017 McDonough B65D 75/008
9,790,002 B2 * 10/2017 Tseng B65D 33/007
D802,911 S * 11/2017 Wang D3/201

OTHER PUBLICATIONS

Tappenden et al., U.S. Office Action dated Sep. 14, 2018, directed to U.S. Appl. No. 29/623,756; 8 pages.
Tappenden et al., U.S. Office Action dated Sep. 14, 2018, directed to U.S. Appl. No. 29/623,757; 8 pages.
Tappenden et al., U.S. Office Action dated Sep. 17, 2018, directed to U.S. Appl. No. 29/623,751; 8 pages.
Tappenden et al., U.S. Office Action dated Sep. 17, 2018, directed to U.S. Appl. No. 29/623,753; 8 pages.
Tappenden et al., U.S. Office Action dated Sep. 17, 2018, directed to U.S. Appl. No. 29/623,758; 8 pages.
Tappenden et al., U.S. Office Action dated Sep. 17, 2018, directed to U.S. Appl. No. 29/623,759; 8 pages.
Tappenden et al., U.S. Office Action dated Sep. 17, 2018, directed to U.S. Appl. No. 29/623,762; 8 pages.

* cited by examiner

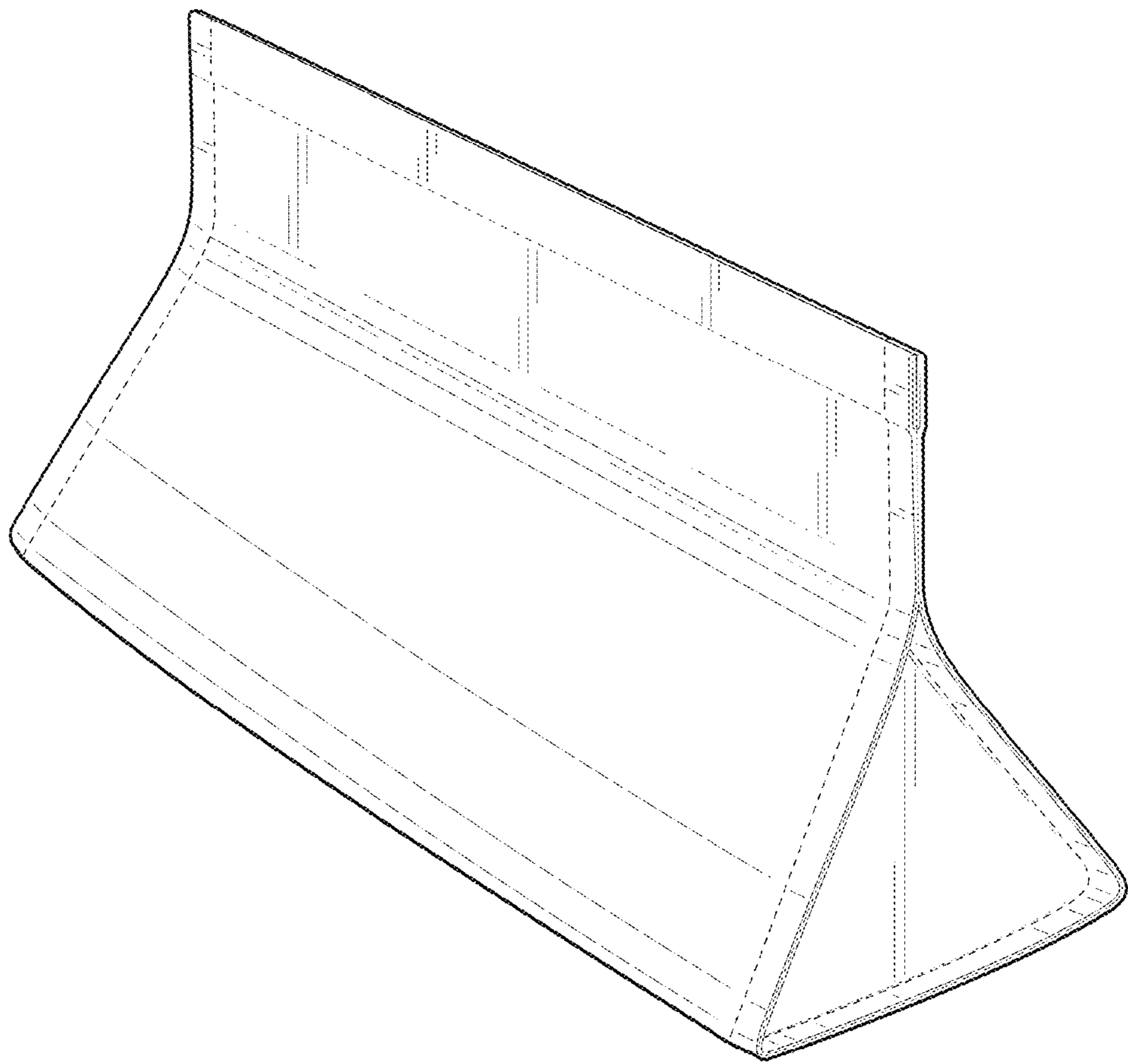


FIG. 1

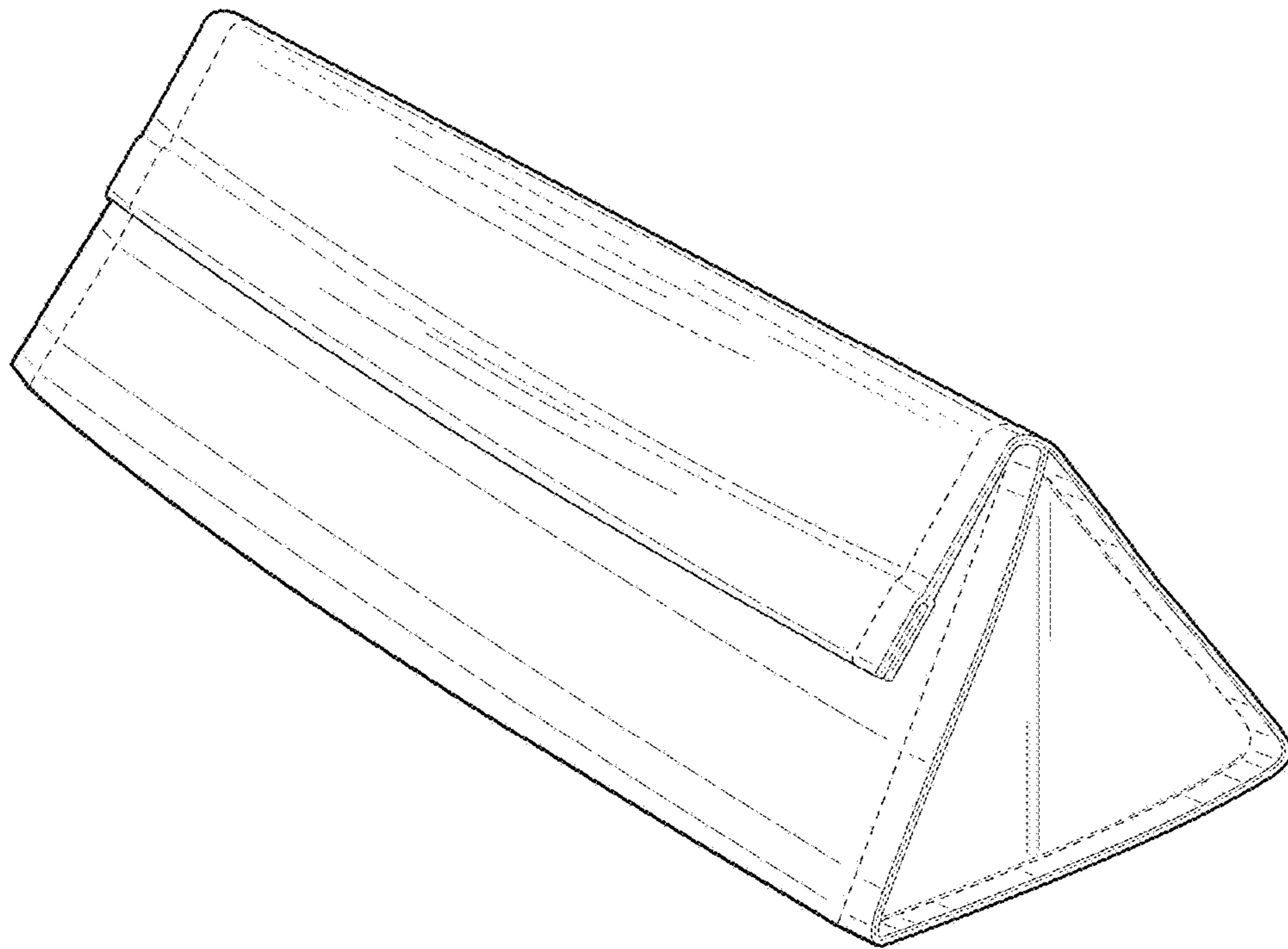


FIG. 2

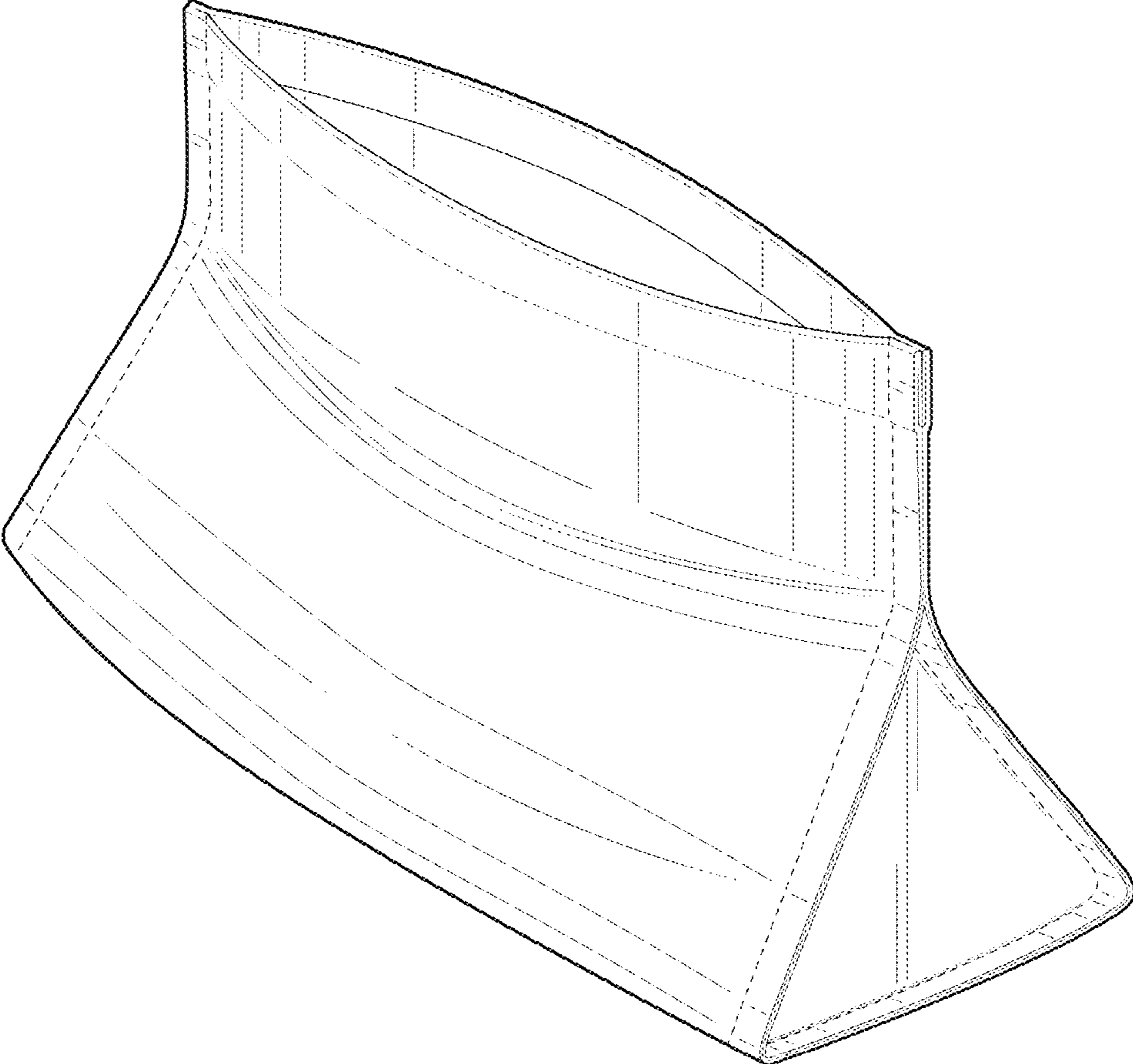


FIG. 3

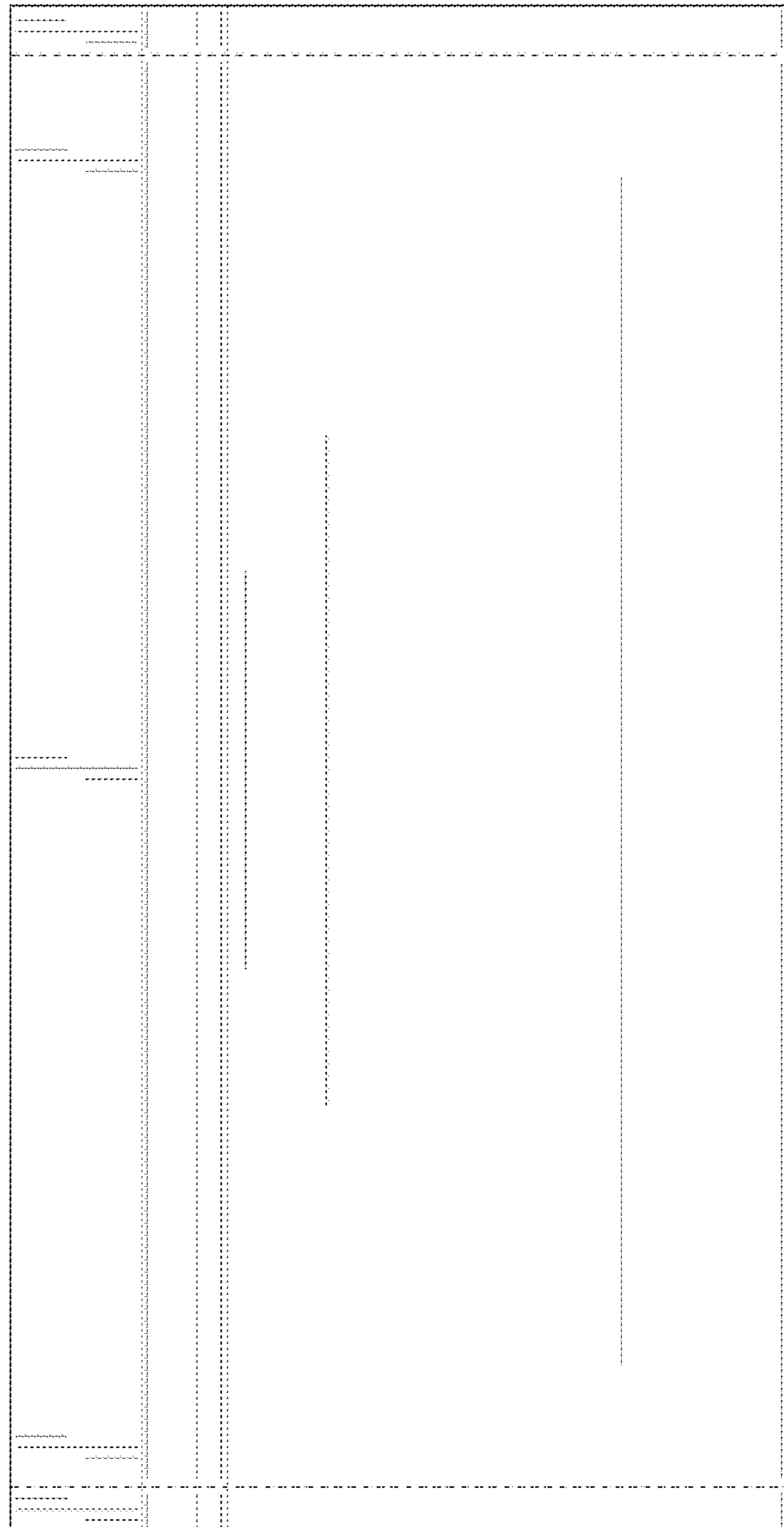


FIG. 4

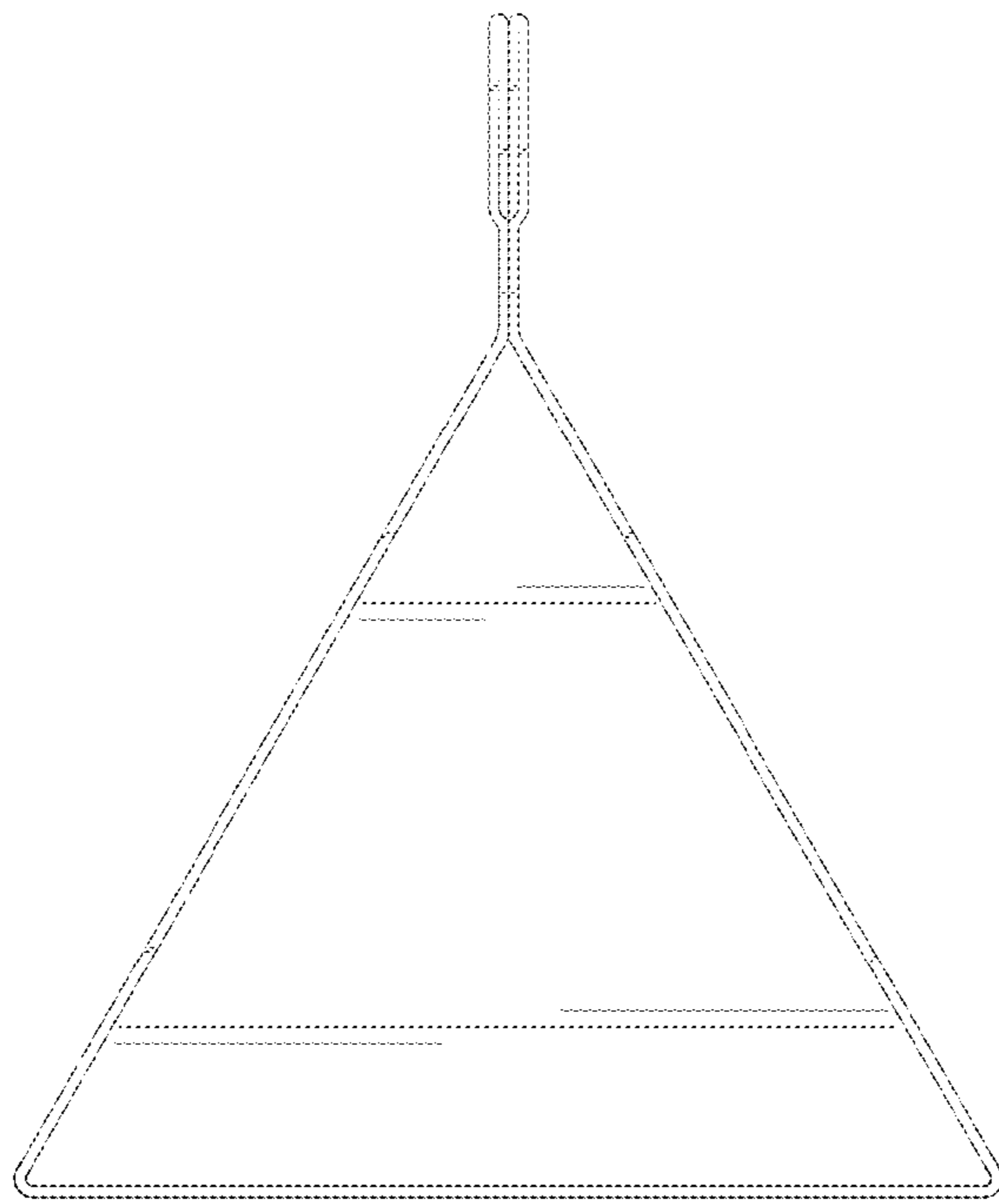


FIG. 5

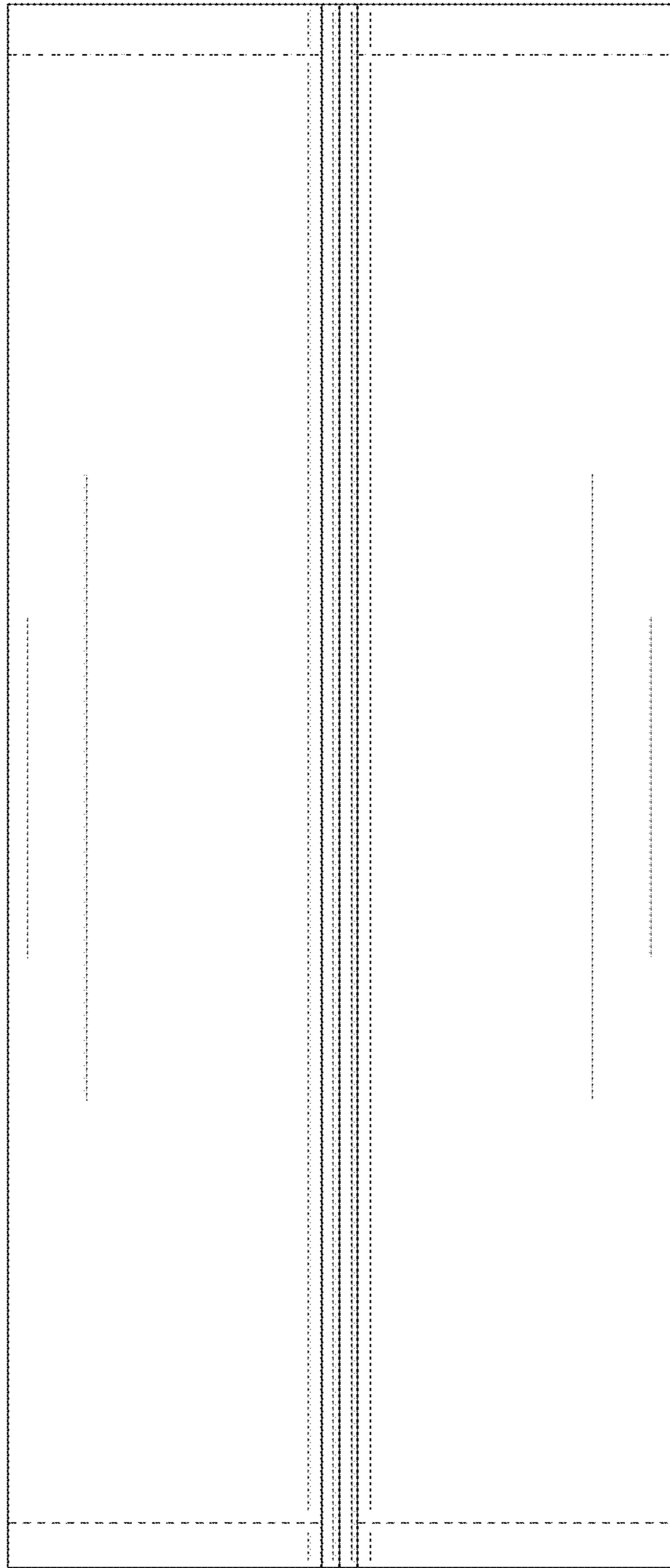


FIG. 6

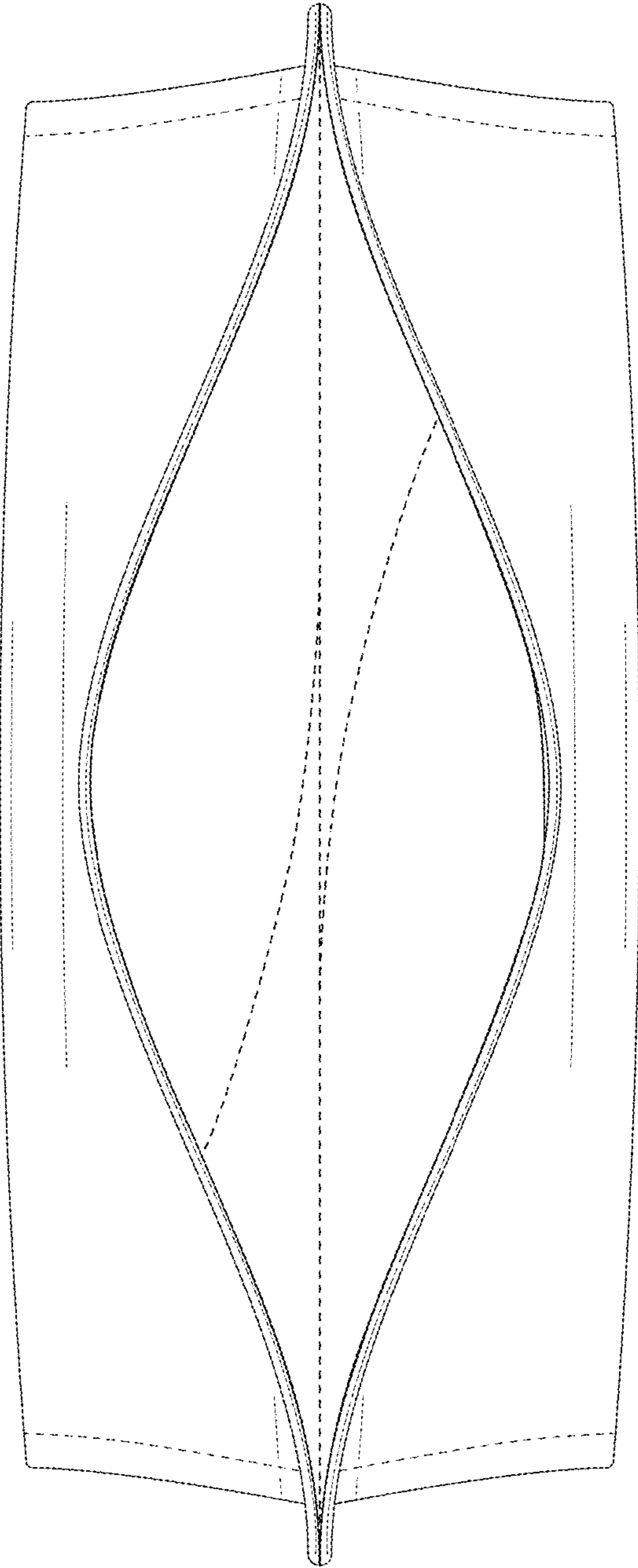


FIG. 7