



US00D854314S

(12) **United States Design Patent** (10) **Patent No.:** **US D854,314 S**
Burns et al. (45) **Date of Patent:** **** Jul. 23, 2019**

(54) **BELT CLIP ASSEMBLY**

(56) **References Cited**

(71) Applicant: **Hand E Holder Products, Inc.**, Ann Arbor, MI (US)

(72) Inventors: **Michael Lawrence Burns**, Ann Arbor, MI (US); **Neal Evan Glazebrook**, Howell, MI (US); **Beau Zachary Keyes**, Dexter, MI (US); **Daniel Patrick Burns**, Fenton, MI (US); **John Mark Wilson**, Trenton, MI (US)

U.S. PATENT DOCUMENTS

D467,068	S	*	12/2002	Lewis	D3/215
D478,418	S	*	8/2003	Badillo	A45F 5/02 D3/218
D485,060	S	*	1/2004	DeCotis	D3/215
D564,753	S	*	3/2008	Tages	D3/218
D606,739	S	*	12/2009	Fahrendorff	D3/218
D613,498	S	*	4/2010	Tsai	D3/218
2009/0036175	A1	*	2/2009	Brandenburg	A45F 5/02 455/575.1

(73) Assignee: **Handeholder Products, Inc.**, Ann Arbor, MI (US)

* cited by examiner

(**) Term: **15 Years**

Primary Examiner — Catherine R Oliver-Garcia

(74) *Attorney, Agent, or Firm* — Remenick PLLC

(21) Appl. No.: **29/640,256**

(22) Filed: **Mar. 13, 2018**

(57) **CLAIM**

The ornamental design for a belt clip assembly, as shown.

(51) **LOC (11) Cl.** **03-01**

(52) **U.S. Cl.**
USPC **D3/218**

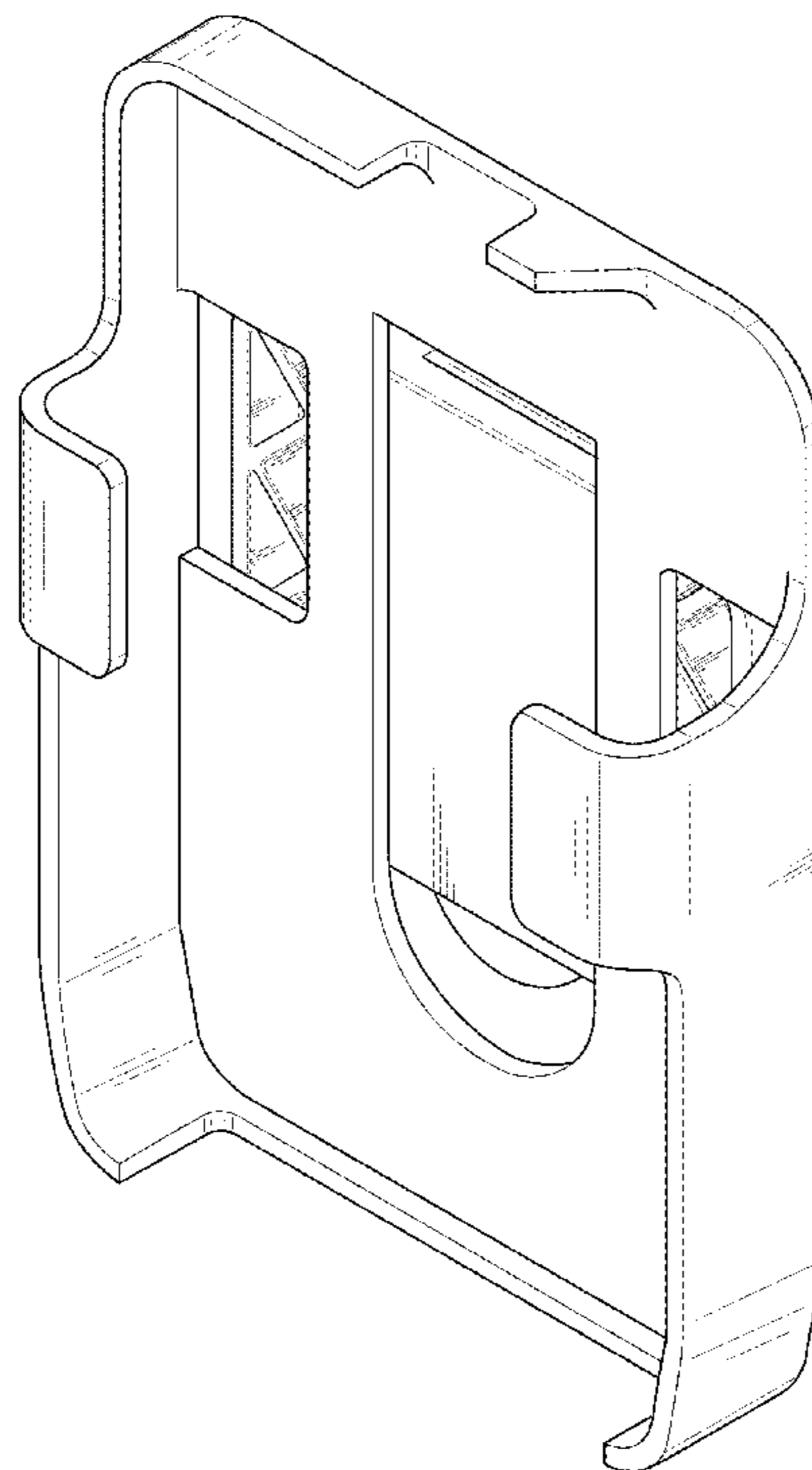
DESCRIPTION

(58) **Field of Classification Search**
USPC D3/218–219, 215, 228, 269, 299, 201;
224/197, 199, 219, 222, 247, 267, 269,
224/271–272, 666, 668, 195; 206/305,
206/320; 24/3.12, 573.11, 580.11, 669;
D14/217, 251, 253; 455/575.1–575.8
CPC A45C 2011/002; A45C 11/00; A45F 5/00;
A45F 5/02; A45F 5/06; A45F 5/021;
A45F 2200/0516; A45F 3/02; A45F 3/14;
A45F 2011/002; A01K 97/10

FIG. 1 is a perspective view of a belt clip assembly showing our new design;
FIG. 2 is a front view thereof;
FIG. 3 is a rear view thereof;
FIG. 4 is a right side view thereof;
FIG. 5 is a left side view thereof;
FIG. 6 is a top view thereof; and,
FIG. 7 is a bottom view thereof.

See application file for complete search history.

1 Claim, 6 Drawing Sheets



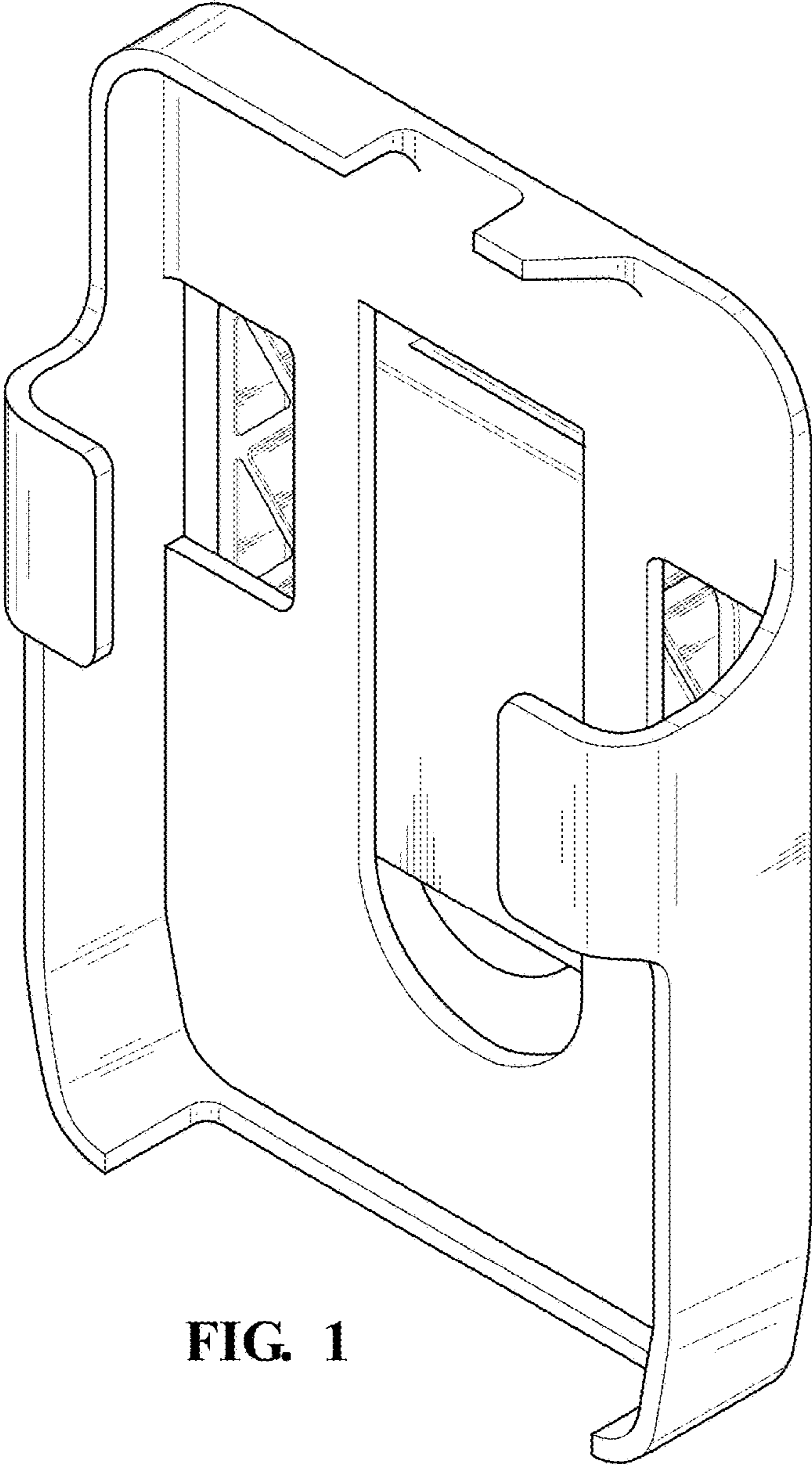


FIG. 1

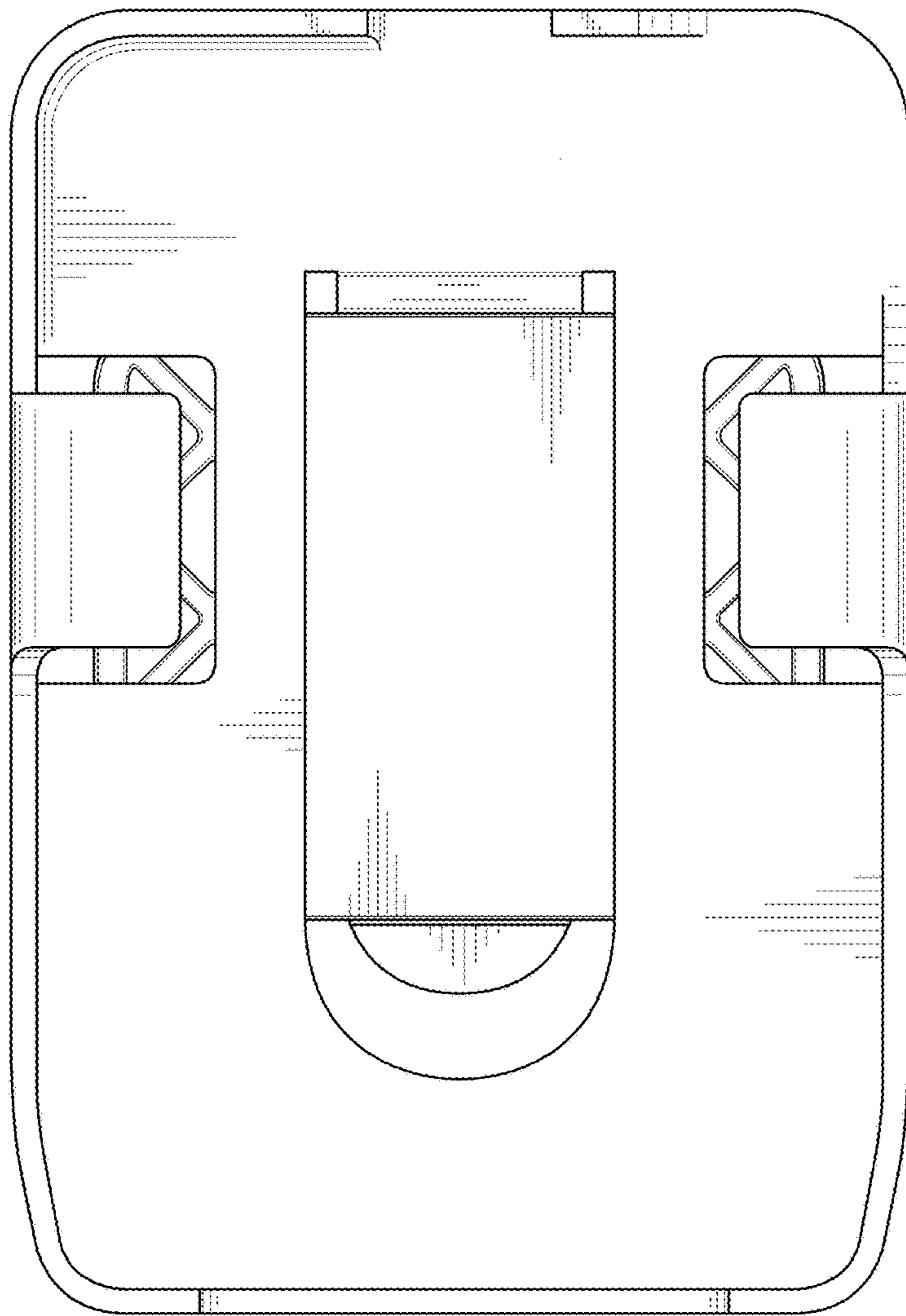


FIG. 2

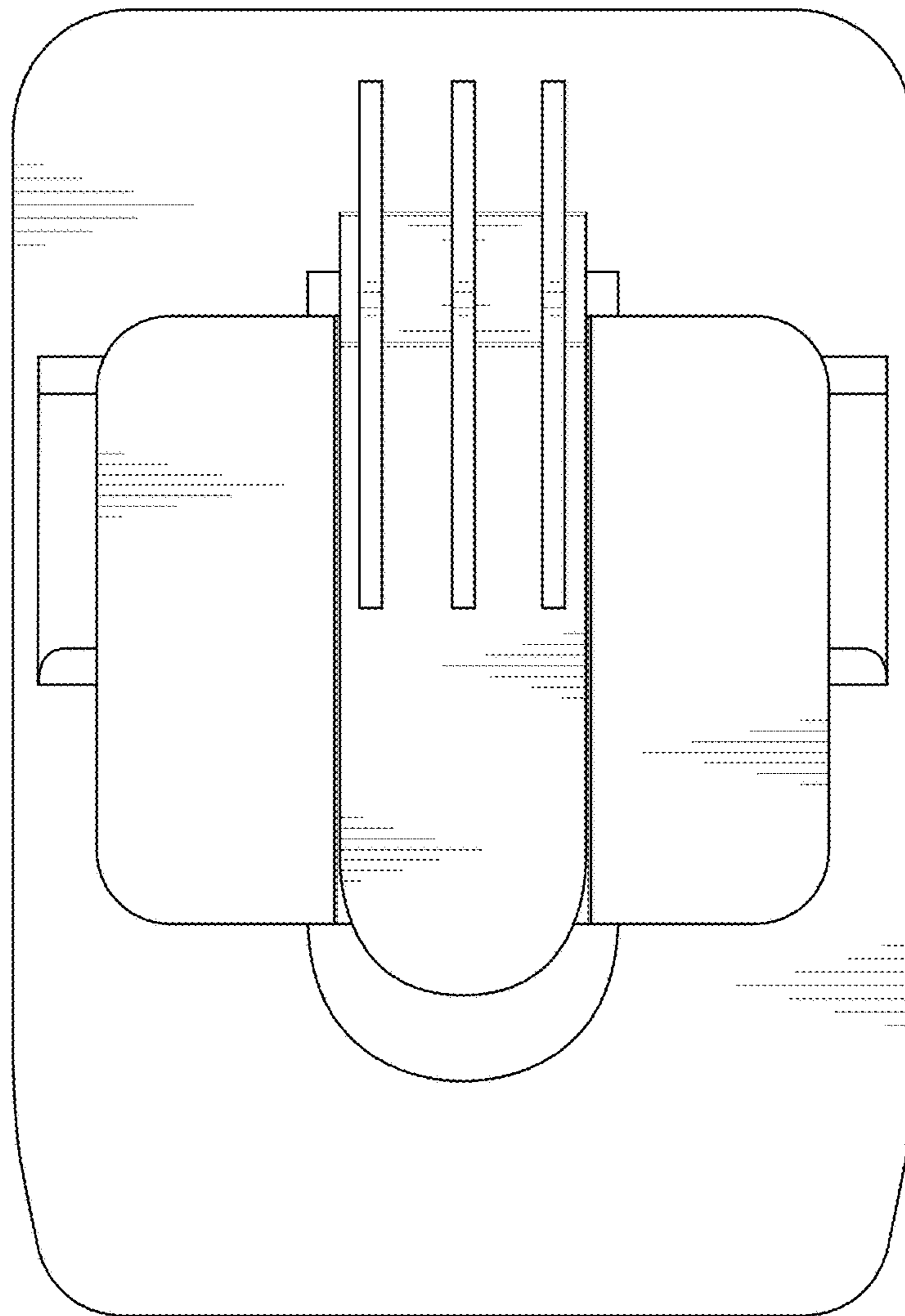


FIG. 3

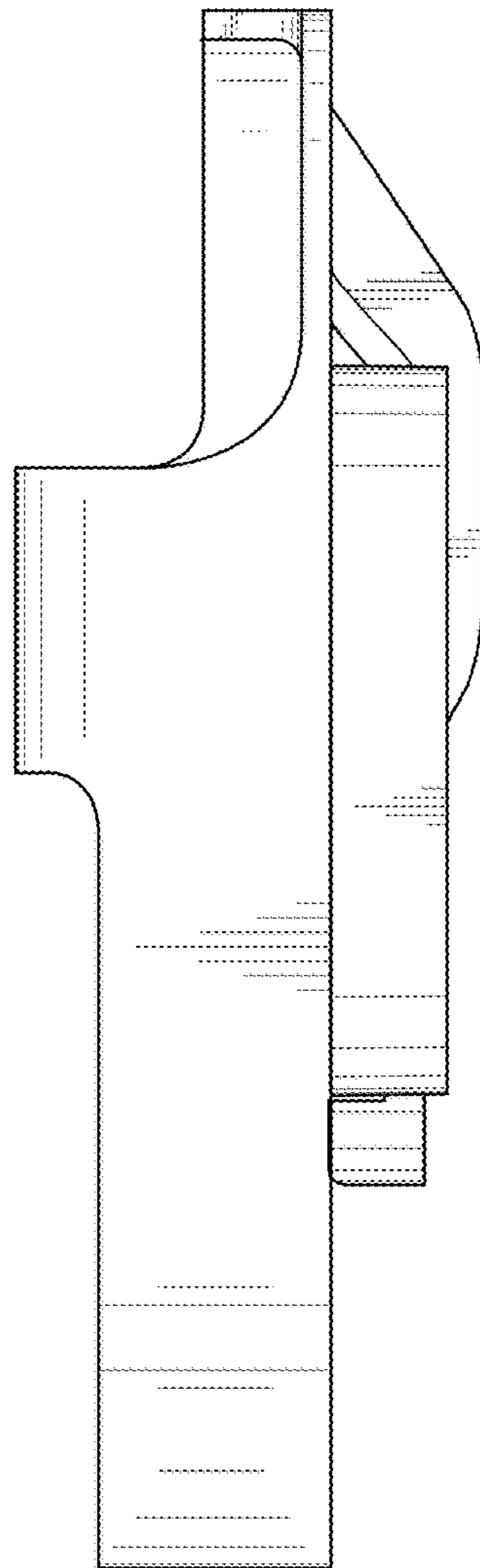


FIG. 4

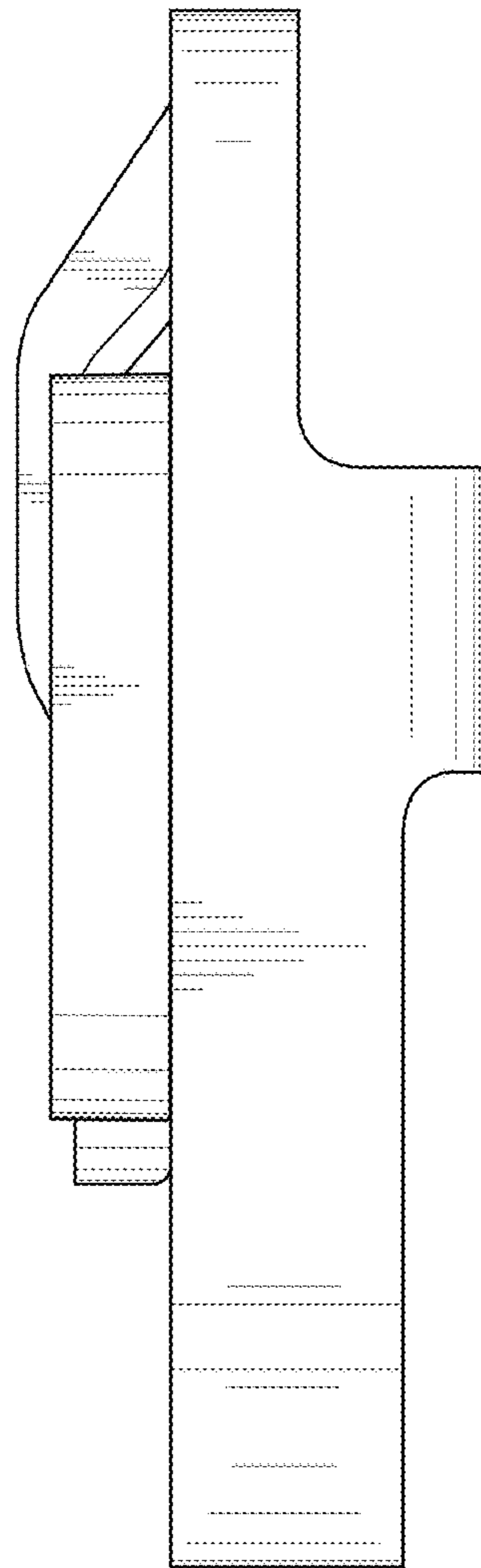


FIG. 5

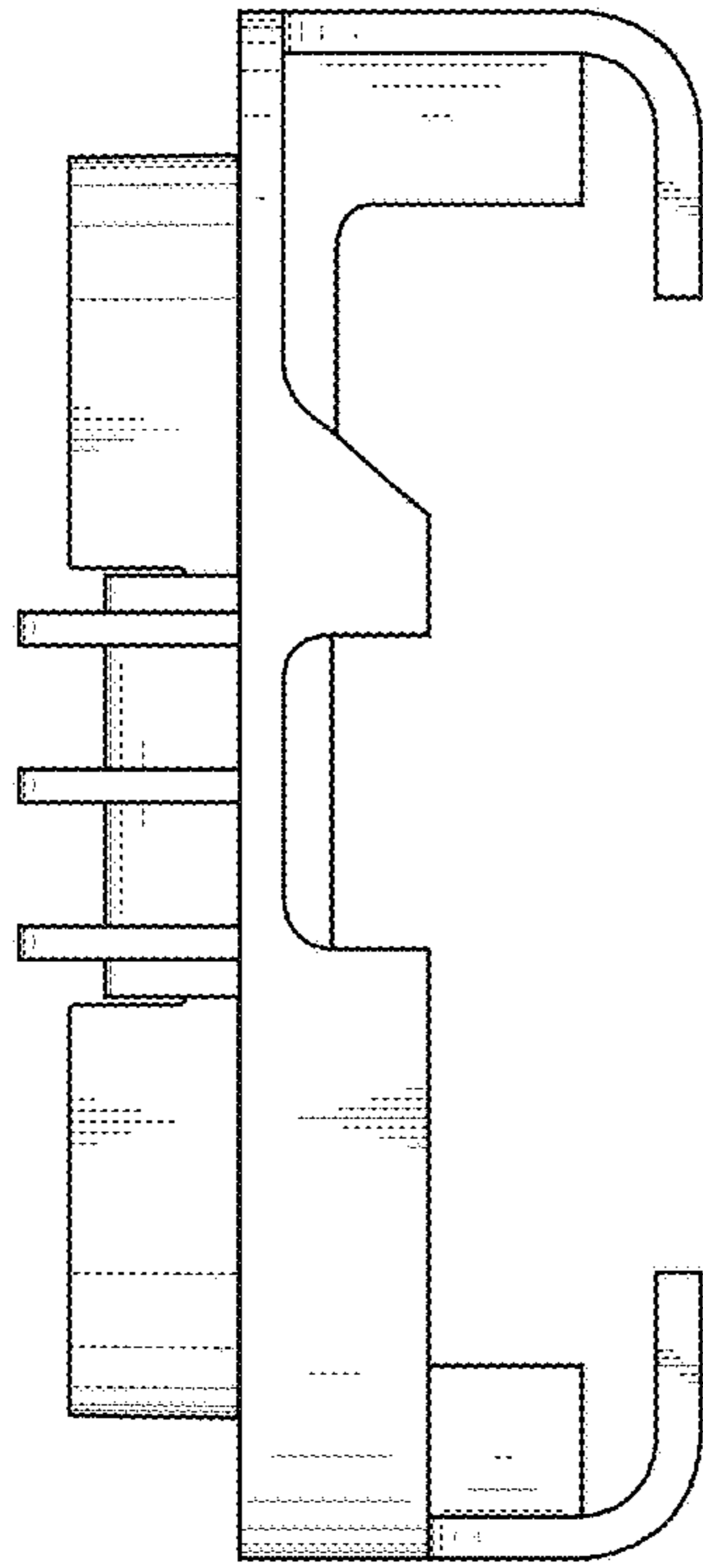


FIG. 6

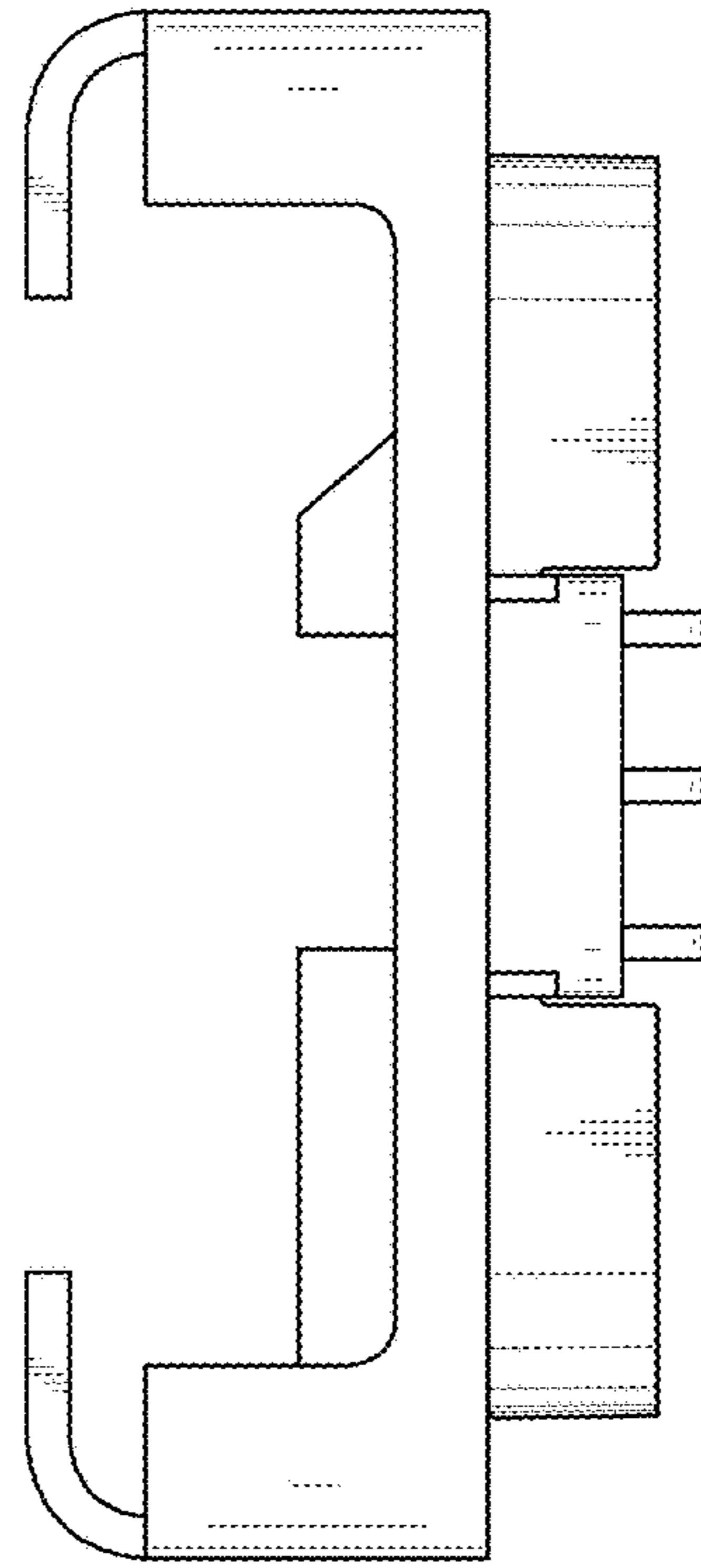


FIG. 7