



US00D854312S

(12) **United States Design Patent**
Seiders et al.

(10) **Patent No.: US D854,312 S**
(45) **Date of Patent: ** *Jul. 23, 2019**

- (54) **DUFFEL BAG**
- (71) Applicant: **YETI Coolers, LLC**, Austin, TX (US)
- (72) Inventors: **Roy Joseph Seiders**, Austin, TX (US);
Erik Steven Larson, Austin, TX (US);
Derek G. Sullivan, Austin, TX (US);
Alex Baires, Austin, TX (US); **Jeffrey Charles Munie**, Austin, TX (US)
- (73) Assignee: **YETI Coolers, LLC**, Austin, TX (US)
- (*) Notice: This patent is subject to a terminal disclaimer.
- (**) Term: **15 Years**
- (21) Appl. No.: **29/634,467**
- (22) Filed: **Jan. 22, 2018**

D281,649 S * 12/1985 Bomes D3/287
 4,805,748 A 2/1989 Gerch
 D304,264 S * 10/1989 Peregrine D3/289
 D307,668 S 5/1990 Young
 5,005,679 A 4/1991 Hjelle
 (Continued)

FOREIGN PATENT DOCUMENTS

CA 2300014 A1 8/2001
 CA 2327764 A1 6/2002
 (Continued)

OTHER PUBLICATIONS

REI, "Patagonia Black Hole Duffel—60L", First reviewed "two years ago". (<https://www.rei.com/product/884915/patagonia-black-hole-duffel-60l>) (Year: 2016).*
 (Continued)

Primary Examiner — Holly H Baynham
Assistant Examiner — April Rivas
 (74) *Attorney, Agent, or Firm* — Banner & Witcoff, Ltd.

Related U.S. Application Data

- (63) Continuation of application No. 29/580,469, filed on Oct. 10, 2016, now Pat. No. Des. 808,225.
- (51) **LOC (11) Cl.** **03-01**
- (52) **U.S. Cl.**
USPC **D3/217; D3/289**
- (58) **Field of Classification Search**
USPC D3/273, 276, 284, 283, 285, 287, 289,
D3/290, 900, 902, 904, 227, 230, 217,
D3/243, 318, 321, 327, 328; D7/709,
D7/605, 607
CPC A45C 2003/007; A45C 2003/008; A45C
3/02; A45C 7/0059; A45C 11/20
See application file for complete search history.

(57) **CLAIM**

The ornamental design for a duffel bag, as shown and described.

DESCRIPTION

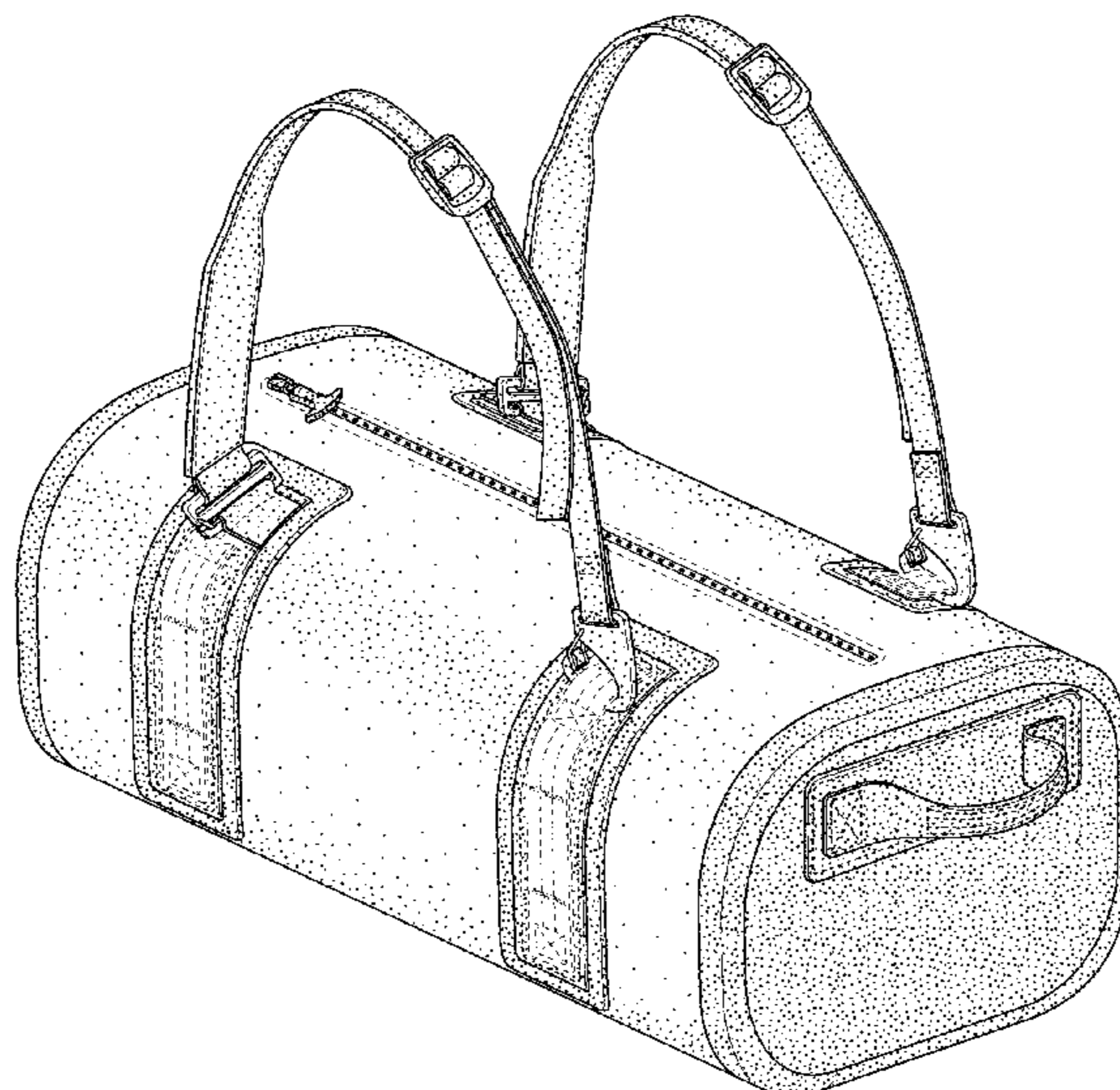
FIG. 1 is a front, right perspective view of a duffel bag showing our new design;
 FIG. 2 is a front view thereof;
 FIG. 3 is a rear view thereof;
 FIG. 4 is a right side view thereof;
 FIG. 5 is a left side view thereof; and,
 FIG. 6 is a top view thereof.
 The contrast in shading represents a contrast in appearance only and does not represent any particular color, material, texture or finish. The broken lines illustrate portions of the duffel bag and form no part of the claimed design.

(56) **References Cited**

U.S. PATENT DOCUMENTS

3,019,952 A 2/1962 Brewster
 D269,738 S 7/1983 Stark

1 Claim, 5 Drawing Sheets



(56)

References Cited

U.S. PATENT DOCUMENTS

5,007,250 A 4/1991 Musielak
 D328,389 S 8/1992 Pardo
 5,140,833 A 8/1992 Whalen
 D434,900 S 12/2000 Spence, Jr. et al.
 6,286,461 B1 9/2001 Martz
 6,338,180 B1 1/2002 Massard
 6,409,066 B1 6/2002 Schneider et al.
 6,460,746 B1 10/2002 Amram
 D465,924 S 11/2002 Gisser
 D481,540 S 11/2003 Van Himbeeck
 D495,489 S 9/2004 Messina-Brown
 6,793,112 B2 9/2004 Ammerman
 D509,959 S 9/2005 Nykoluk
 D516,307 S 3/2006 Koenig et al.
 D528,792 S 9/2006 Marttila
 D535,820 S 1/2007 Kamiya
 7,207,426 B2 4/2007 Godshaw et al.
 D548,966 S 8/2007 Aliberti et al.
 7,334,684 B1 2/2008 Fontanilla et al.
 7,344,028 B2 3/2008 Hanson
 D569,610 S 5/2008 Wang
 D575,059 S * 8/2008 Cappiello D3/283
 7,597,478 B2 10/2009 Pruchnicki et al.
 D609,466 S 2/2010 Stulman
 D620,708 S 8/2010 Sanz
 7,861,857 B2 * 1/2011 Vorderkunz A45C 13/03
 190/115
 D632,888 S 2/2011 Jobert
 D648,533 S 11/2011 Sosnovsky
 D661,085 S 6/2012 Custer
 D667,043 S 9/2012 Couch, III
 D667,219 S 9/2012 Munson
 D674,603 S 1/2013 Gerbi
 8,453,899 B1 6/2013 Calkin
 D688,457 S 8/2013 Harris
 D688,458 S 8/2013 Harris
 D689,283 S 9/2013 Berkowitz
 D692,662 S 11/2013 Pignotti
 D698,150 S 1/2014 Sabounjian
 8,695,770 B2 4/2014 Santy
 D713,639 S 9/2014 Whitlock et al.
 D717,040 S 11/2014 Swartzel et al.
 D725,903 S 4/2015 Kuster et al.
 D727,017 S 4/2015 Aberg et al.
 D732,824 S 6/2015 Tzortzis
 D738,107 S 9/2015 Adler et al.
 D738,108 S 9/2015 Adler et al.
 9,138,036 B2 9/2015 Andreasson et al.
 D740,550 S 10/2015 Shabou
 D740,551 S 10/2015 Shabou
 D740,552 S 10/2015 Shabou
 D742,646 S 11/2015 Amago
 D745,778 S 12/2015 Shabou
 9,215,918 B2 12/2015 Kao et al.
 D747,873 S 1/2016 Peng
 D749,318 S 2/2016 LoNigro
 D758,075 S * 6/2016 Quarry D3/276
 D761,562 S 7/2016 Venturini Fendi
 D766,571 S 9/2016 Boroski
 D770,761 S 11/2016 Deioma et al.
 D777,425 S 1/2017 Shin et al.
 D782,820 S * 4/2017 Thompson D3/283
 D784,908 S 4/2017 Kalchuri et al.
 D785,325 S 5/2017 Samrelius et al.
 D789,682 S 6/2017 Maeng
 D792,167 S * 7/2017 Bradley D7/607
 D794,323 S 8/2017 Dumas
 D794,947 S 8/2017 Gavriel et al.
 D802,298 S 11/2017 Sassi
 D805,851 S 12/2017 Sullivan et al.
 D808,173 S 1/2018 Seiders et al.
 D808,174 S * 1/2018 Seiders D3/318
 D808,175 S 1/2018 Seiders et al.
 D808,225 S * 1/2018 Seiders D7/607
 D810,435 S 2/2018 Hoppe et al.

D811,738 S 3/2018 Dumas
 D811,746 S 3/2018 Seiders et al.
 D812,898 S 3/2018 Lai
 D813,539 S 3/2018 Van Assche
 D817,107 S 5/2018 Larson et al.
 D819,327 S * 6/2018 Jusic D3/217
 D822,987 S 7/2018 Seiders et al.
 D822,997 S 7/2018 Seiders et al.
 D822,999 S 7/2018 Seiders et al.
 D823,602 S 7/2018 Seiders et al.
 D825,276 S * 8/2018 Seiders D7/607
 2005/0263432 A1 * 12/2005 Hanson A45C 11/20
 206/545
 2006/0065500 A1 * 3/2006 Herrig A45C 7/0077
 190/107
 2008/0142558 A1 6/2008 Dexter
 2013/0322786 A1 12/2013 Nassanian
 2014/0248003 A1 9/2014 Mogil et al.
 2014/0270591 A1 9/2014 Joly
 2016/0206061 A1 7/2016 Ford
 2016/0278491 A1 9/2016 Amago
 2017/0036844 A1 2/2017 Seiders et al.

FOREIGN PATENT DOCUMENTS

CA	150323	12/2013
CA	150461	12/2013
CN	302623928	11/2013
CN	302852751	6/2014
CN	302946709	9/2014
CN	303092550	2/2015
CN	303620433	3/2016
EM	002307702-0003	9/2013
EM	002333591-0015	10/2013
EM	002348797-0001	11/2013
EM	002309591-0001	12/2013
EM	002309591-0002	12/2013
EM	002309591-0003	12/2013
EM	002309591-0005	12/2013
EM	002309591-0006	12/2013
EM	002309591-0007	12/2013
EM	002309591-0008	12/2013
EM	002309591-0009	12/2013
EM	002520213-0005	8/2014
EM	002599944-0001	1/2015
EM	002629964-0001	2/2015
EM	002119362-0001	4/2015
EM	002639724-0002	5/2015
EM	002734988-0003	7/2015
EM	002734988-0004	7/2015
EM	002760678-0005	9/2015
EM	002906594-0010	12/2015
EM	003146869-0001	8/2016
EM	003359199-0001	9/2016
EM	003359199-0002	9/2016
GB	4041233	8/2015
JP	D1475659	7/2013
KR	300687326.0000	4/2013
WO	D079659-001	12/2012

OTHER PUBLICATIONS

Gear Junkie, "YETI Enters New Market: Meet the 'Panga' Submersible Duffel", Posted on Jun. 29, 2017. (<https://gearjunkie.com/yeti-panga-submersible-duffel-review>) (Year: 2017).*

Amazon, "Såk Gear DuffelSåk Pro Waterproof Duffle Bag", First reviewed Jun. 20, 2018. (<https://www.amazon.com/dp/B07D1GVCC4/>) (Year: 2018).*

Amazon, "Seattle Sports FrostPak Soft Cooler", First reviewed Jun. 17, 2014, Accessed Jan. 31, 2016. (<https://www.amazon.com/Seattle-Sports-FrostPak-Soft-Cooler/dp/BOOLGZ28FI>).

Kuiu, "Taku 3000", Accessed May 10, 2017. (<http://www.kuiu.com/gear-bags/taku-3000/96004.html>).

Amazon, "Seattle Sports Seattle Sports Downstream Duffel", First reviewed Oct. 26, 2009. Accessed Sep. 27, 2017. (<https://www.amazon.com/Seattle-Sports-FrostPak-Soft-Cooler/dp/BOOLGZ28FI>).

(56)

References Cited

OTHER PUBLICATIONS

Seattle Sports, "Wet/Dry Toploader Duffel", Accessed Sep. 27, 2017. (<http://www.seattlesportsco.com/custom-gear/wetdry-toploader-duffel.html>).

Gear Junkie, "YETI Enters New Market: Meet the 'Panga' Submersible Duffel", Posted on Jun. 29, 2017. (<http://gearjunkie.com/yeti-panga-submersible-duffel-review>) (Year: 2017).

Amazon, "Säk Gear DuffelS?k Pro Waterproof Duffel Bag", First reviewed Jun. 20, 2018. (<https://www.amazon.com/dp/B07D1GVCC4/>) (Year: 2018).

* cited by examiner

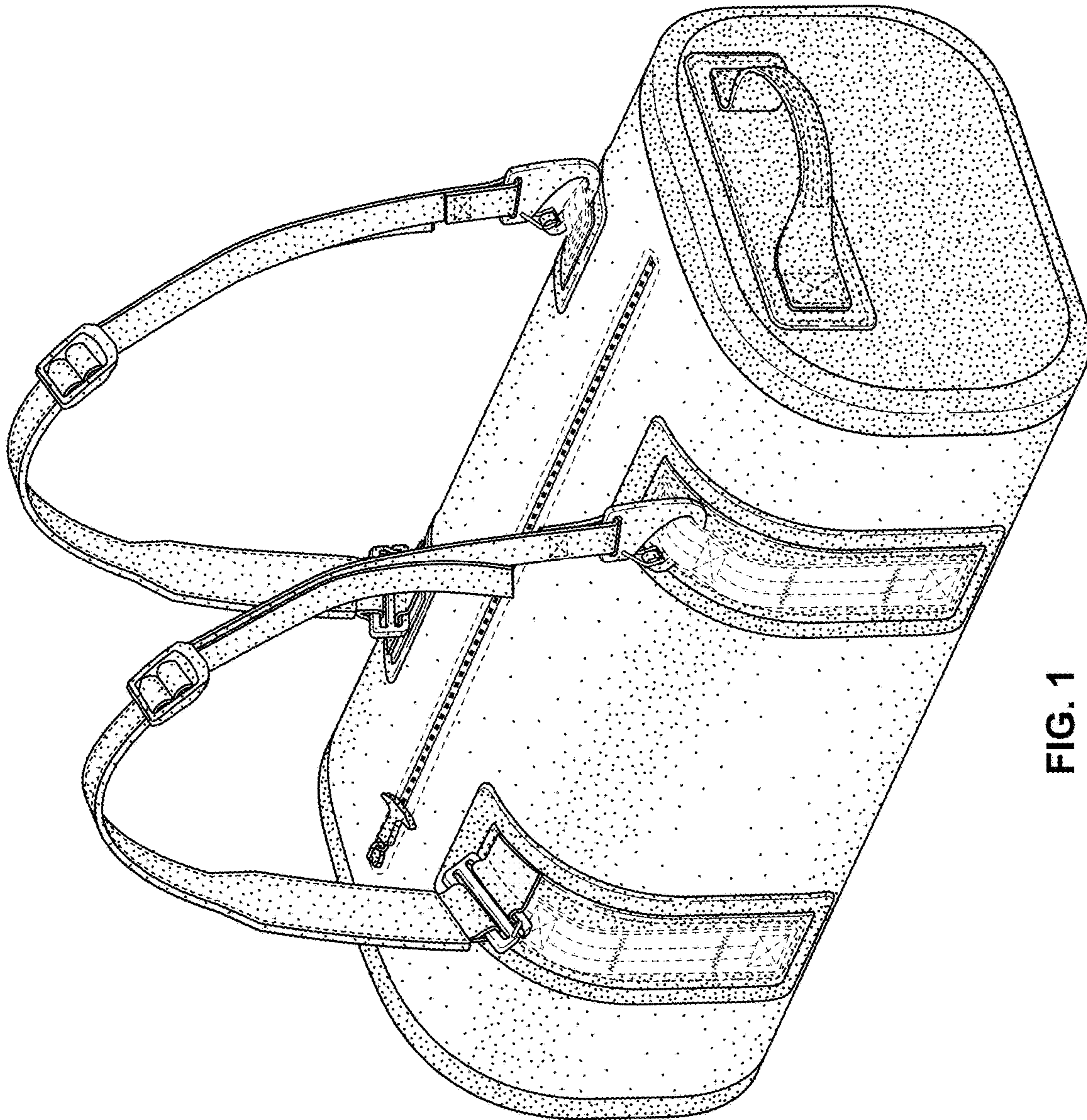


FIG. 1

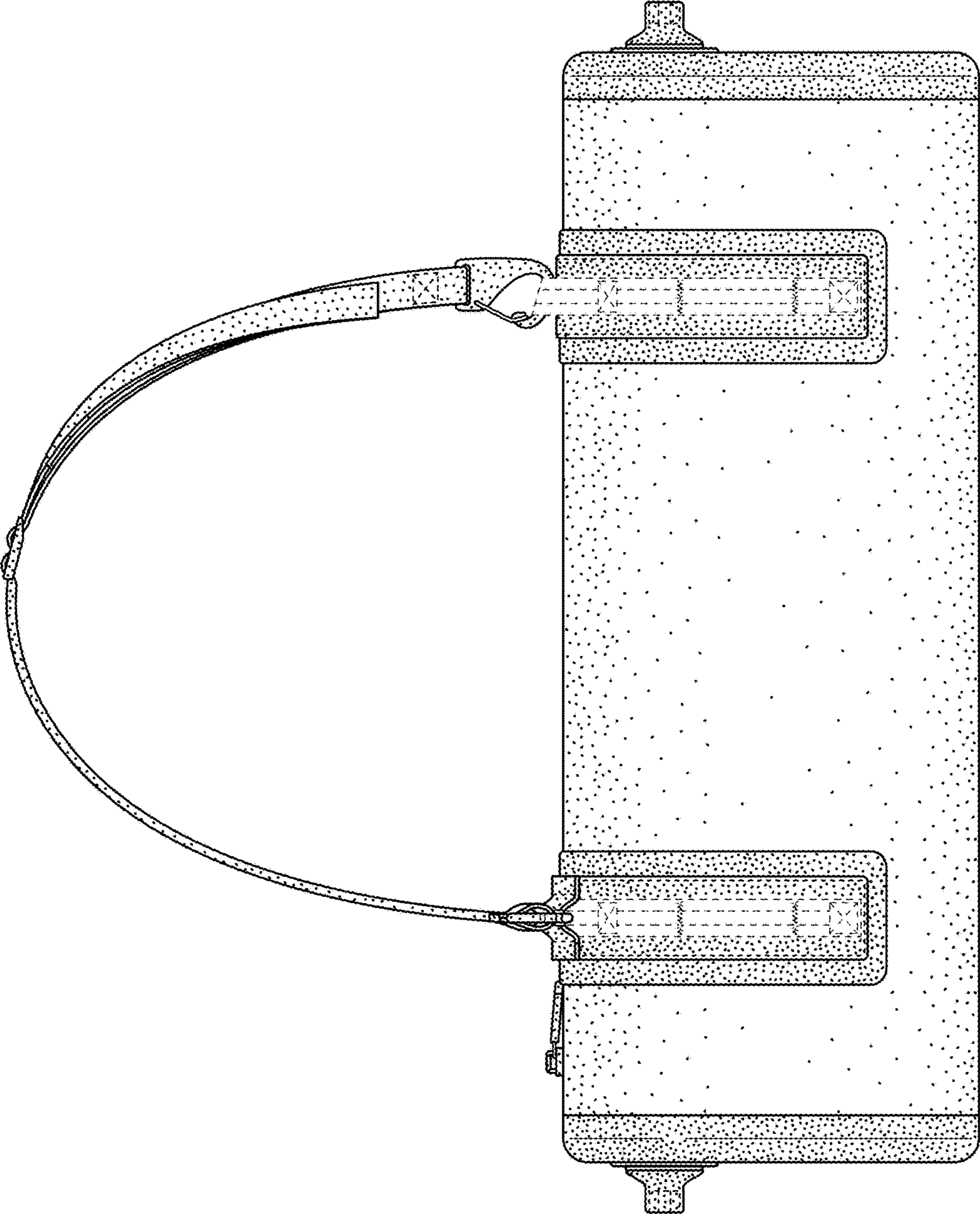


FIG. 2

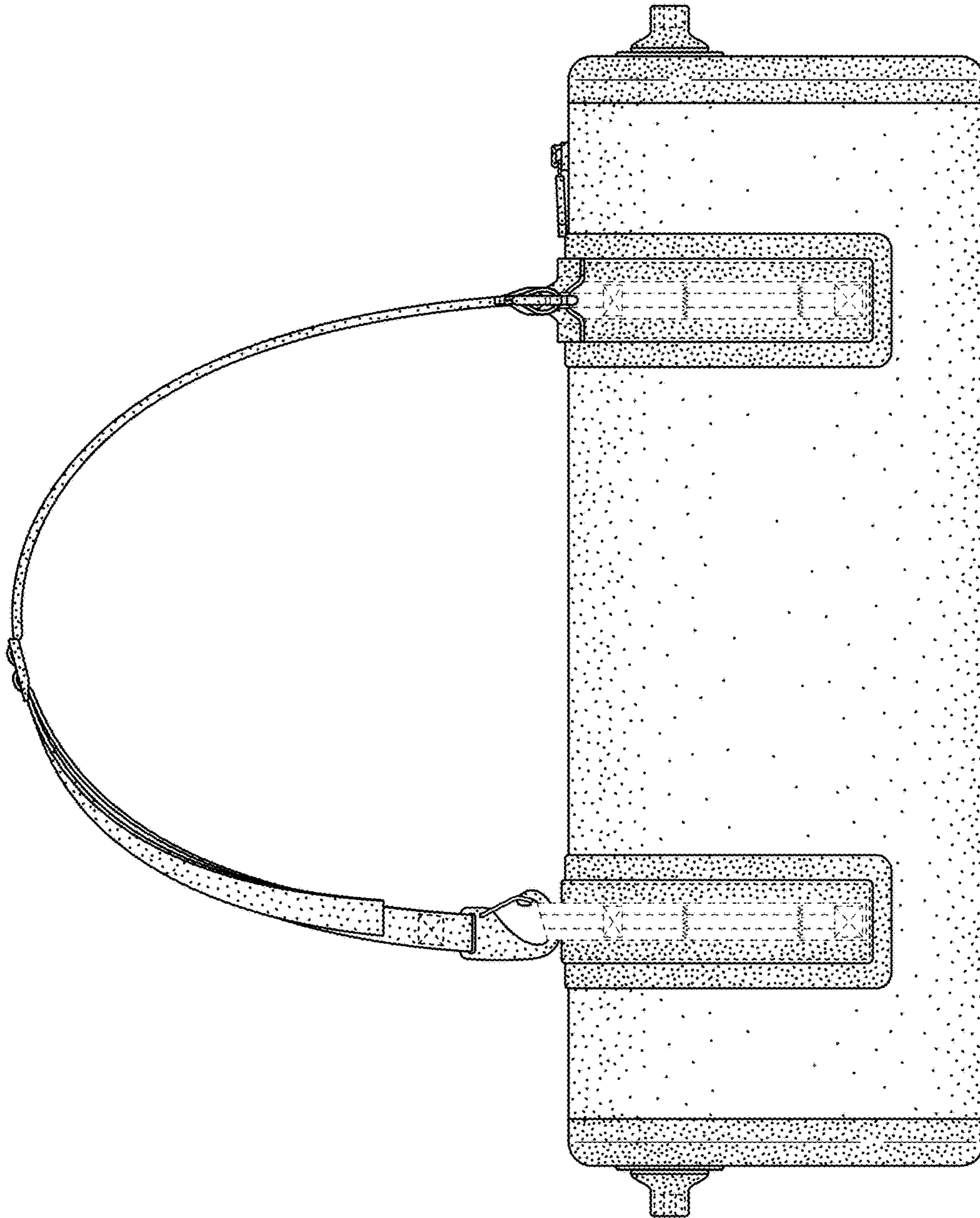


FIG. 3

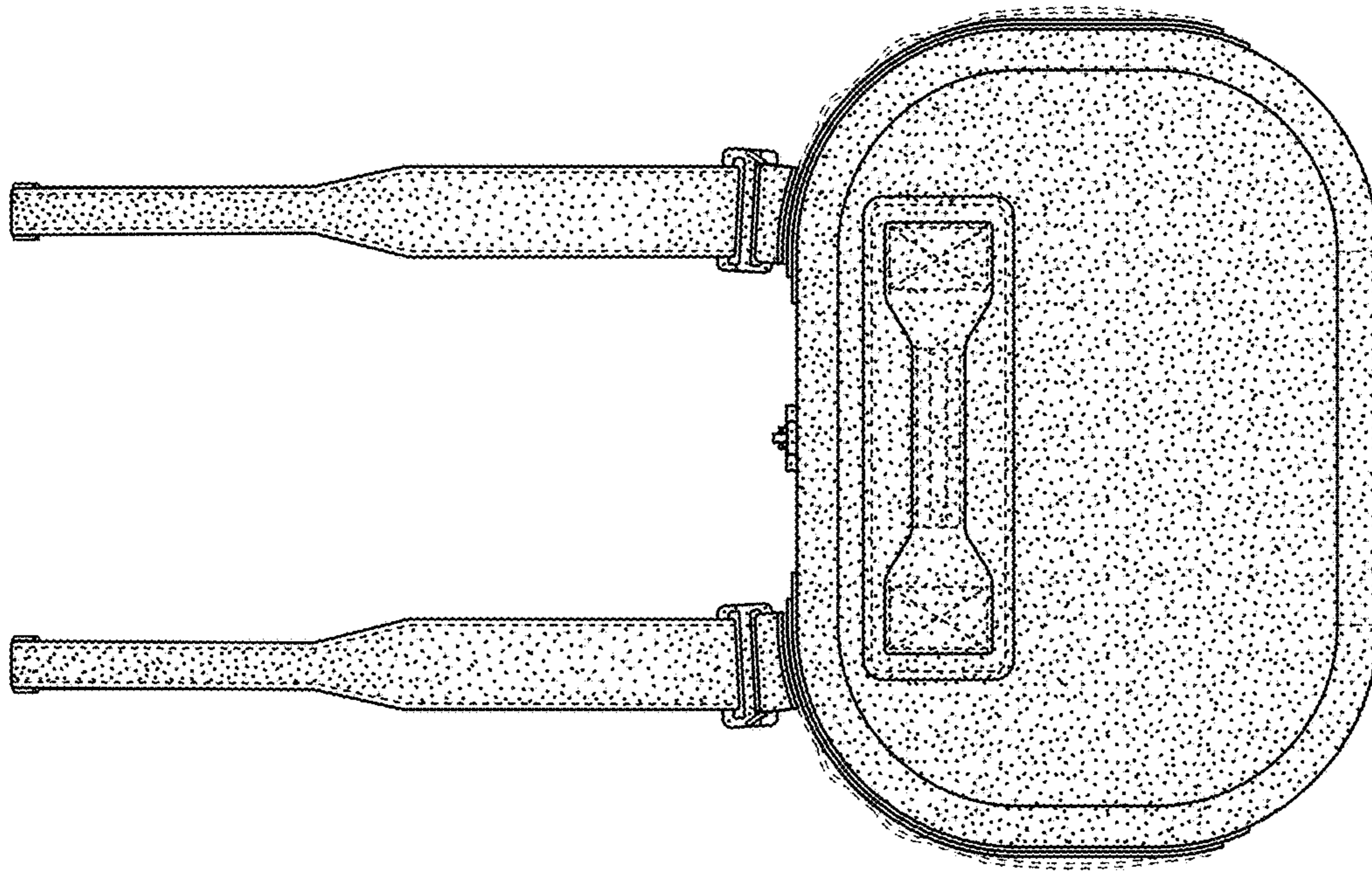


FIG. 5

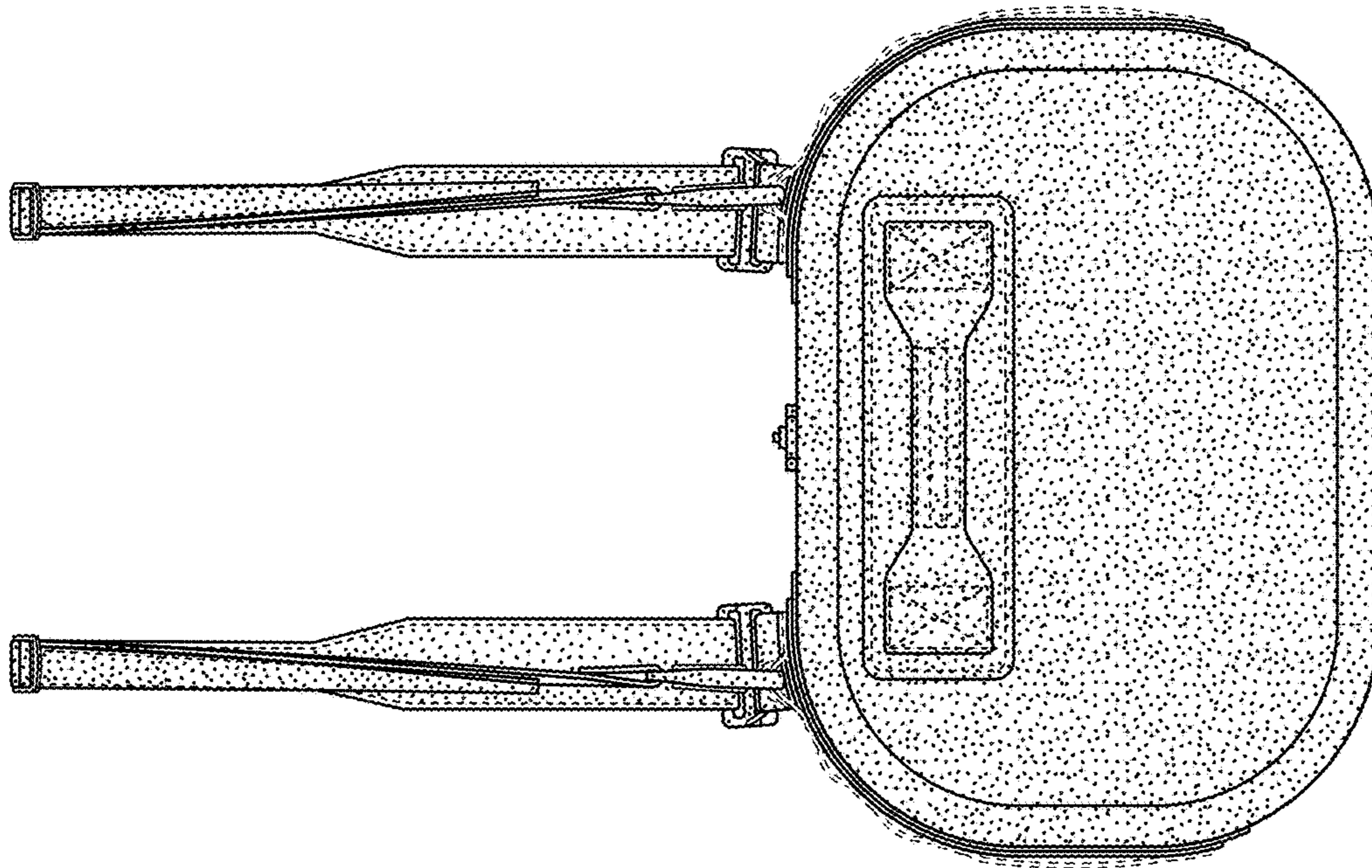


FIG. 4

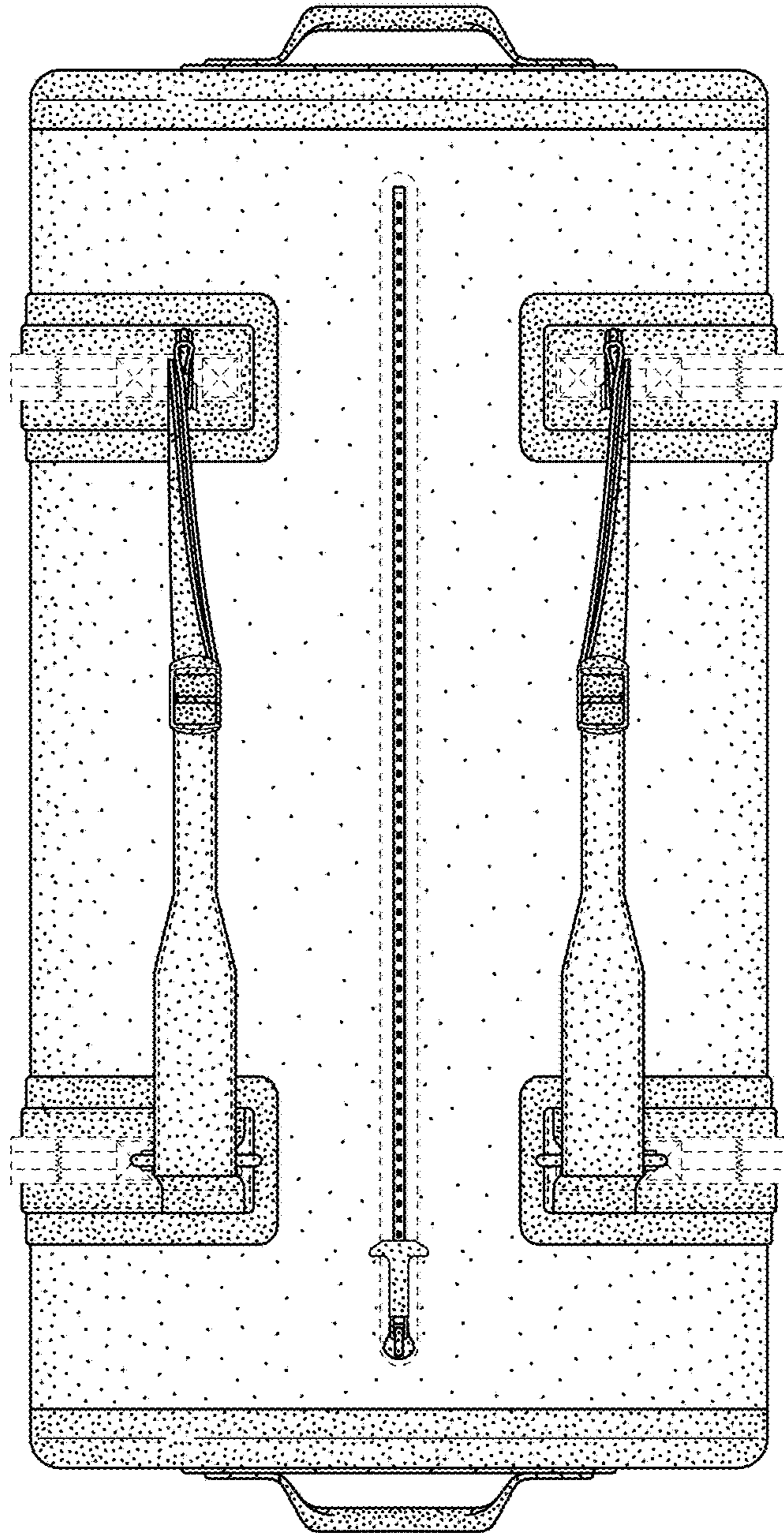


FIG. 6