



US00D854311S

(12) **United States Design Patent** (10) **Patent No.:** **US D854,311 S**
Burns et al. (45) **Date of Patent:** **** Jul. 23, 2019**

(54) **BELT CLIP**

(56) **References Cited**

(71) Applicant: **Hand E Holder Products, Inc.**, Ann Arbor, MI (US)

(72) Inventors: **Michael Lawrence Burns**, Ann Arbor, MI (US); **Neal Evan Glazebrook**, Howell, MI (US); **Beau Zachary Keyes**, Dexter, MI (US); **Daniel Patrick Burns**, Fenton, MI (US); **John Mark Wilson**, Trenton, MI (US)

U.S. PATENT DOCUMENTS

D553,352	S	*	10/2007	Allen	D3/218
D555,896	S	*	11/2007	Ward-Llewellyn	D3/215
D675,014	S	*	1/2013	Adelman	D3/218
D685,991	S	*	7/2013	Pearce	D3/218
D761,010	S	*	7/2016	Khodapanah	D3/218
D830,052	S	*	10/2018	Meredith, Sr.	D3/215
2014/0045561	A1	*	2/2014	Liu	H04M 1/0202 455/575.8

(73) Assignee: **Handeholder Products, Inc.**, Ann Arbor, MI (US)

* cited by examiner

(**) Term: **15 Years**

Primary Examiner — Catherine R Oliver-Garcia

(21) Appl. No.: **29/640,245**

(74) *Attorney, Agent, or Firm* — Remenick PLLC

(22) Filed: **Mar. 13, 2018**

(57) **CLAIM**

The ornamental design for a belt clip, as shown.

(51) **LOC (11) Cl.** **03-01**

(52) **U.S. Cl.**
USPC **D3/215; D3/218**

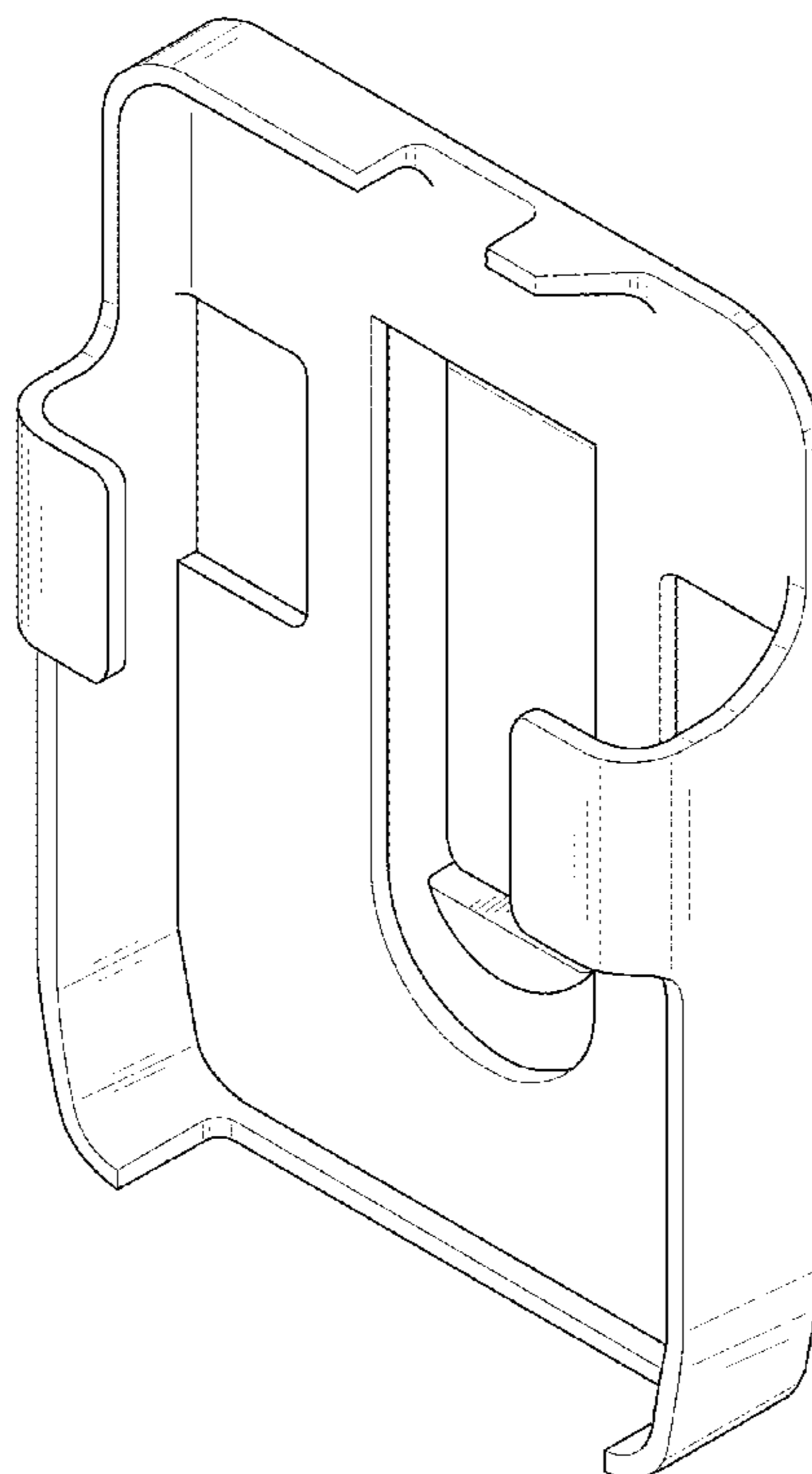
DESCRIPTION

(58) **Field of Classification Search**
USPC D3/215, 218–219, 269, 201; 206/305, 206/320; 224/148.4, 191, 197, 240, 242, 224/245, 268, 271–272, 667, 669, 673, 224/904; 24/580.11, 663, 667, 669, 24/682.1; 455/575.1–575.8
CPC A45C 2011/002; A45F 5/02; A45F 5/06; A45F 5/021; A45F 2200/0516; H04M 1/0202

FIG. 1 is a perspective view of a belt clip showing our new design;
FIG. 2 is a front view thereof;
FIG. 3 is a right side view thereof;
FIG. 4 is a left side view thereof;
FIG. 5 is a top view thereof;
FIG. 6 is a bottom view thereof; and,
FIG. 7 is a rear view thereof.

See application file for complete search history.

1 Claim, 6 Drawing Sheets



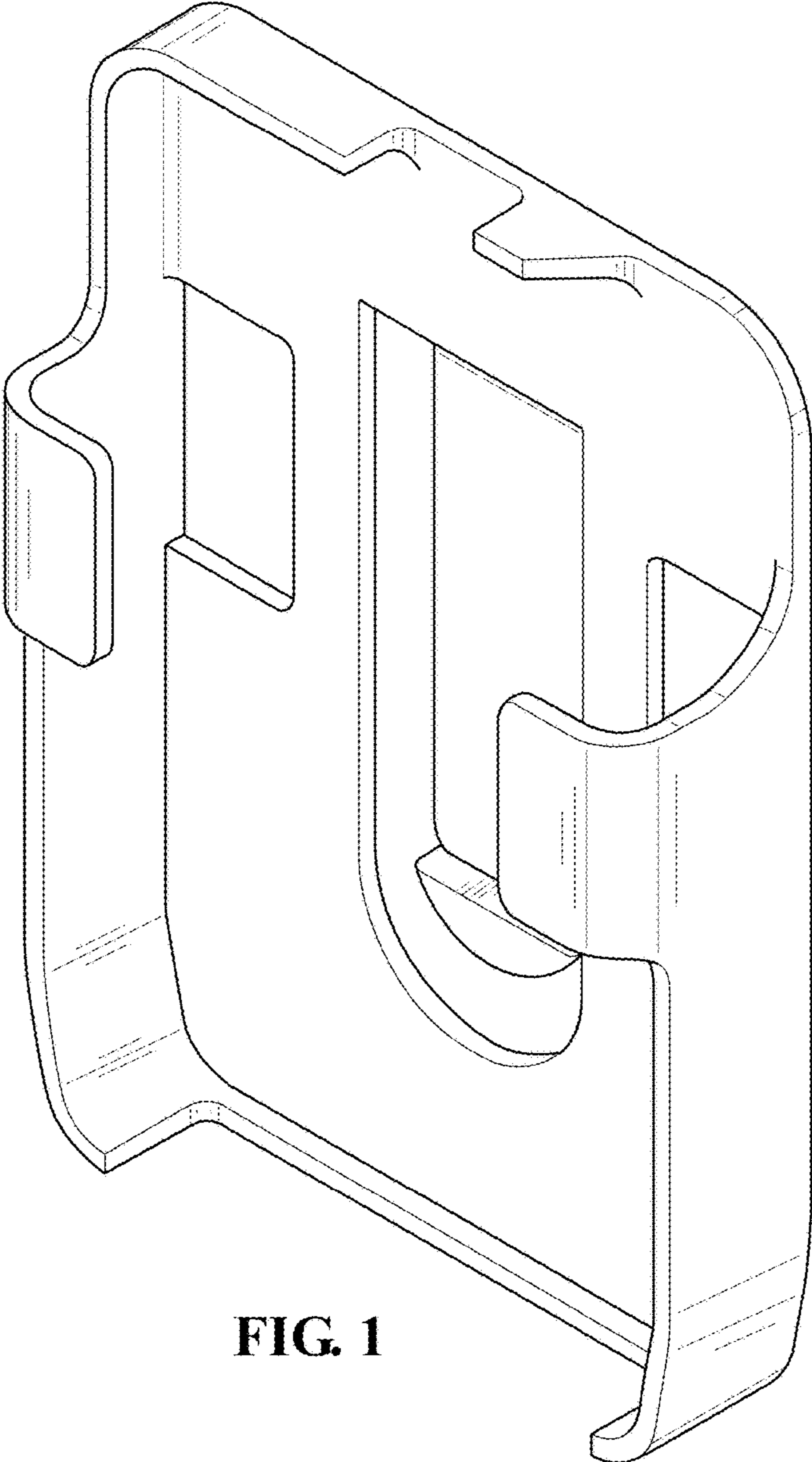


FIG. 1

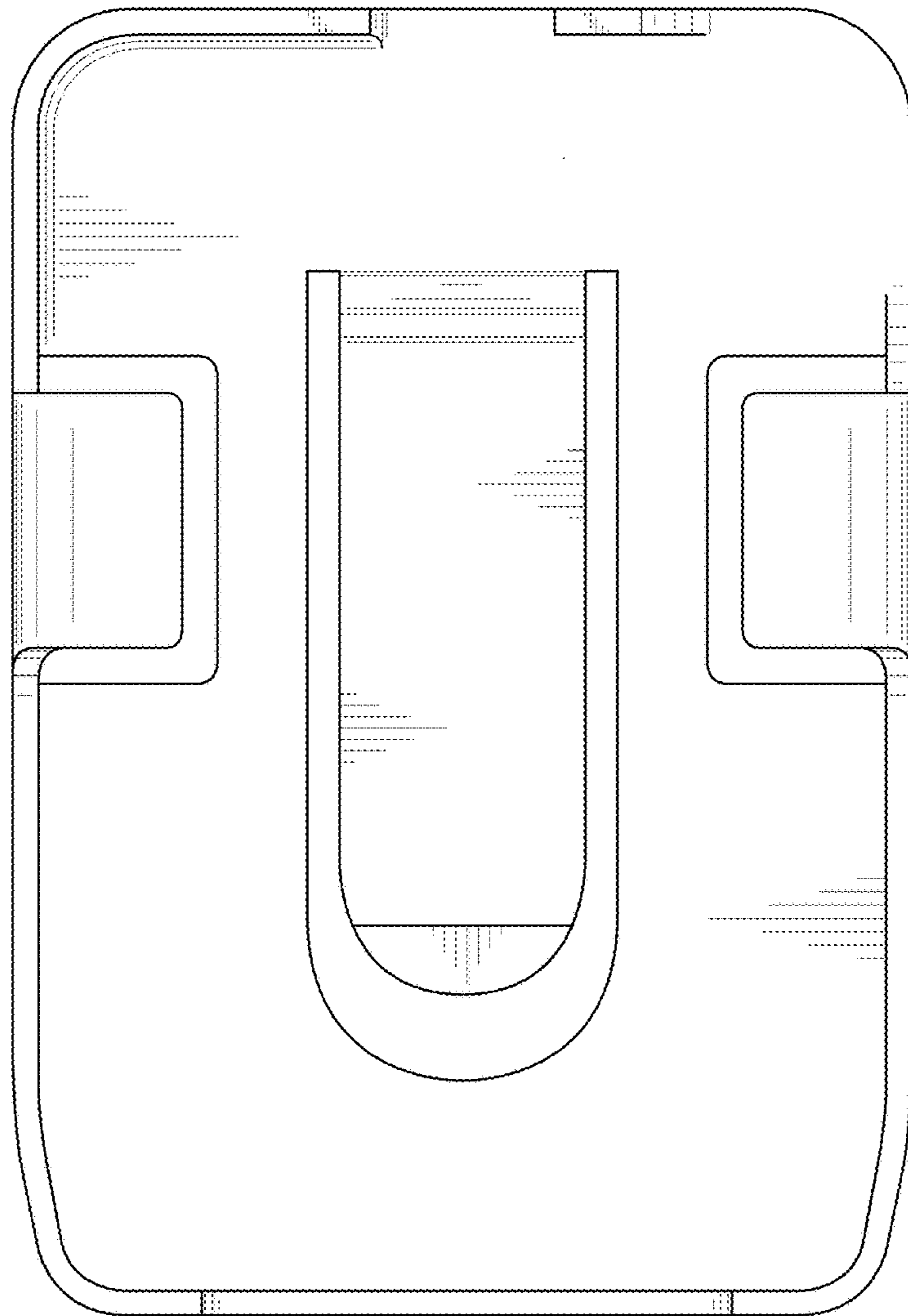


FIG. 2

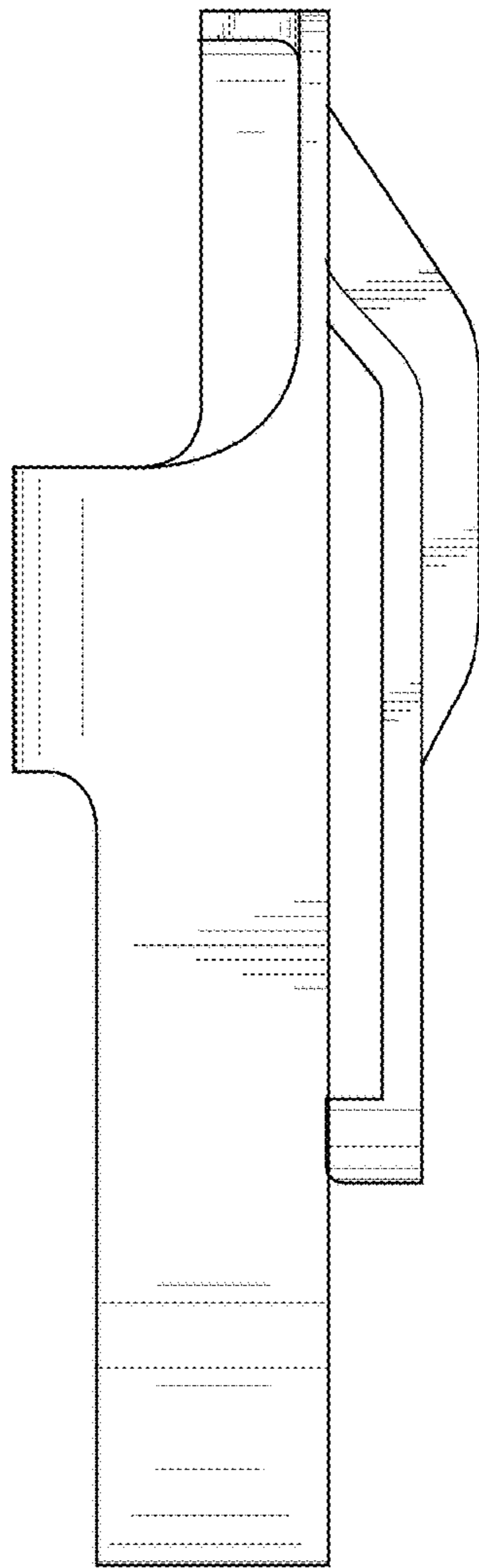


FIG. 3

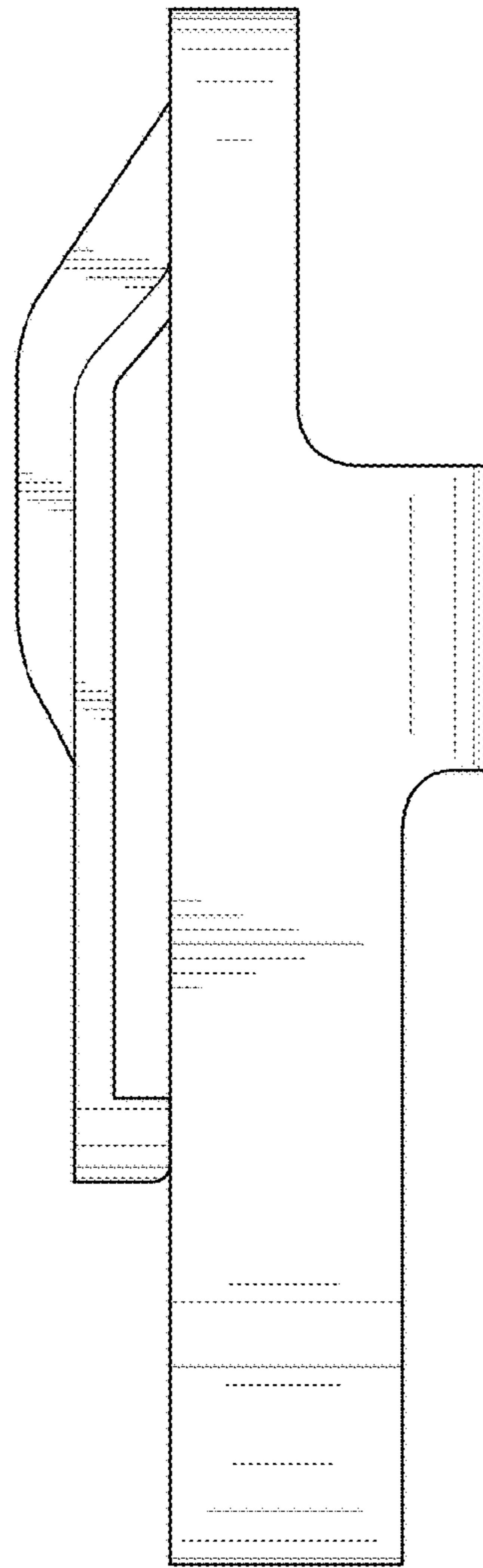


FIG. 4

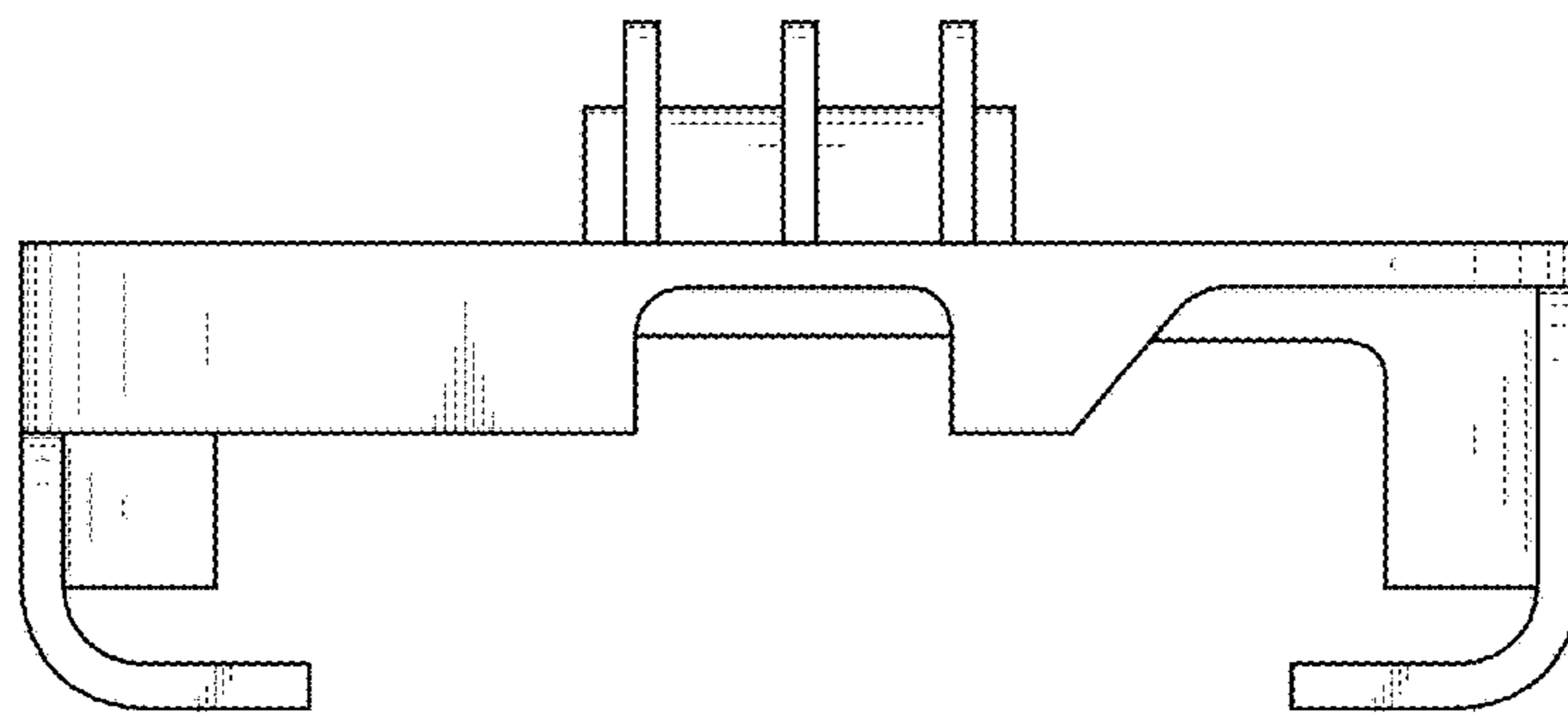


FIG. 5

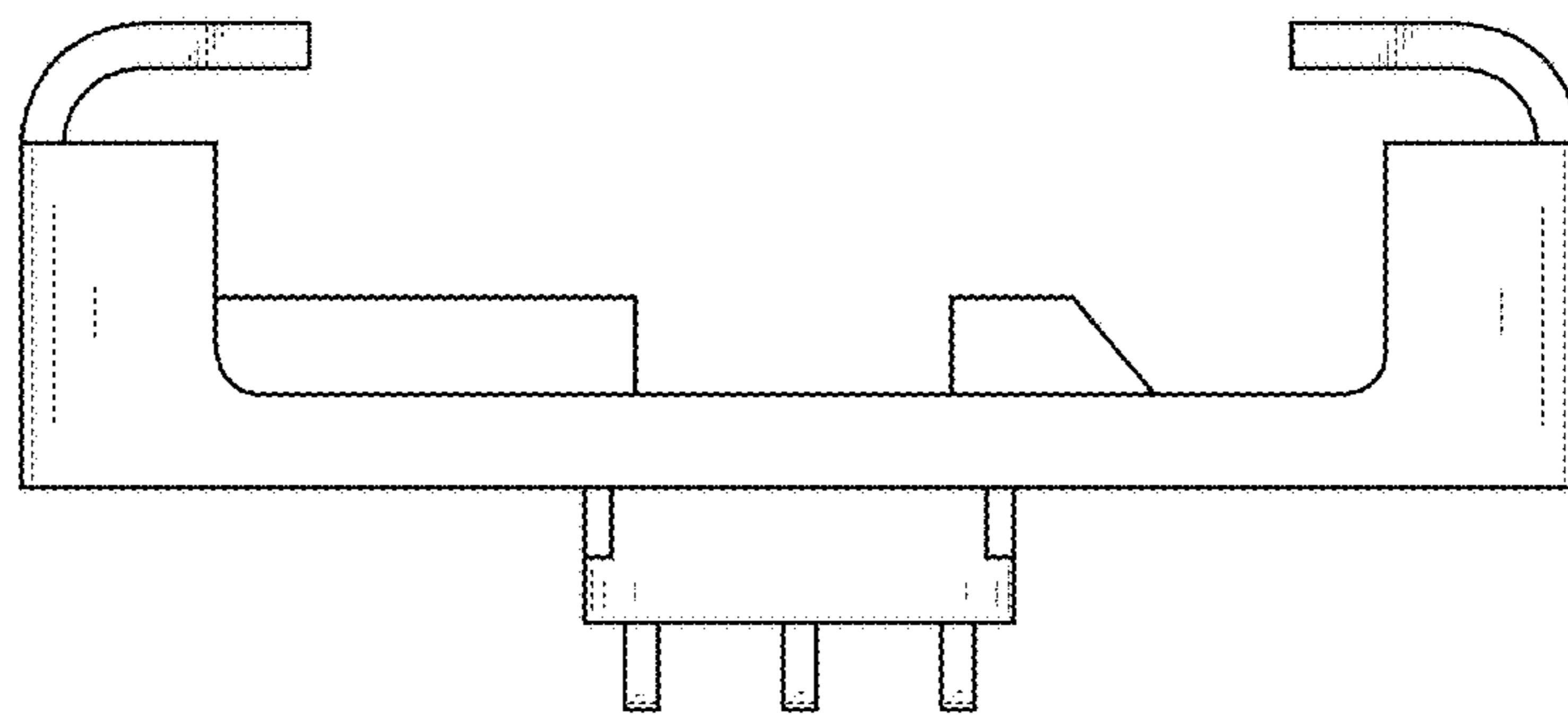


FIG. 6

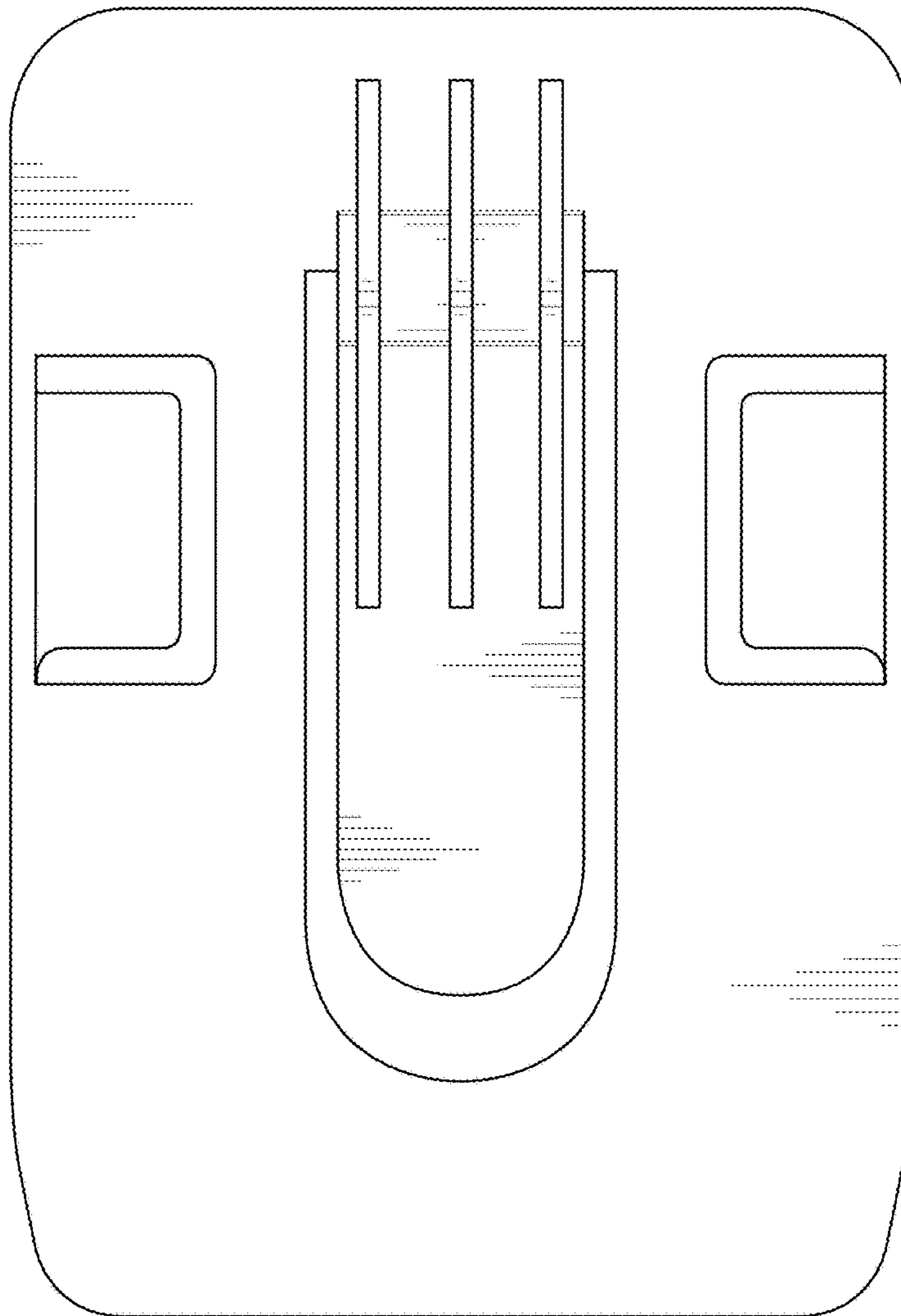


FIG. 7