



US00D854310S

(12) **United States Design Patent** (10) **Patent No.:** **US D854,310 S**  
**Xie et al.** (45) **Date of Patent:** **\*\* Jul. 23, 2019**

(54) **MEDICAL EQUIPMENT CONTAINER**  
(71) Applicant: **Siemens Healthcare GmbH**, Erlangen (DE)  
(72) Inventors: **Hai Tao Xie**, Shanghai (CN); **Wen Ju Zhang**, Shanghai (CN); **Daniel Lerch**, Weilersbach (DE)  
(73) Assignee: **Siemens Healthcare GmbH**, Erlangen (DE)  
(\*\*) Term: **15 Years**  
(21) Appl. No.: **29/648,798**  
(22) Filed: **May 24, 2018**

(30) **Foreign Application Priority Data**

Nov. 24, 2017 (CN) ..... 2017 3 0585724  
(51) **LOC (11) Cl.** ..... **03-01**  
(52) **U.S. Cl.**  
USPC ..... **D3/203.1**  
(58) **Field of Classification Search**  
USPC ..... D3/201, 203.1-203.8; D24/131; D34/11  
CPC ..... A61B 50/362; A61B 2050/005; A61M 5/3205; B65F 1/10; B65D 43/16  
See application file for complete search history.

(56) **References Cited**

**U.S. PATENT DOCUMENTS**

D281,906 S \* 12/1985 Gianni ..... D24/131  
D302,291 S \* 7/1989 Heubel ..... D24/131  
5,187,850 A \* 2/1993 McCammon ..... A61M 5/3205  
206/366  
D334,805 S \* 4/1993 Ivey ..... D24/131  
5,201,418 A \* 4/1993 Hanlon ..... A61M 5/3205  
206/366  
D335,372 S \* 5/1993 Mosior ..... D24/131  
D335,373 S \* 5/1993 Mosior ..... D24/131

5,322,164 A \* 6/1994 Richardson ..... A61M 5/3205  
206/365  
D385,349 S \* 10/1997 Mosior ..... D24/131  
D385,626 S \* 10/1997 Mosior ..... D24/131  
D438,964 S \* 3/2001 Gaba ..... D24/131  
D447,233 S \* 8/2001 Bickel ..... D24/131  
D482,448 S \* 11/2003 Crawford ..... D24/131  
D485,906 S \* 1/2004 Danssaert ..... D24/131  
D518,173 S \* 3/2006 Coates ..... D24/131  
D520,136 S \* 5/2006 Keller ..... D24/131  
D606,736 S \* 12/2009 Coran ..... D3/201  
D615,292 S \* 5/2010 Brinkly ..... D3/201  
D676,315 S \* 2/2013 Widdison ..... D9/420  
D698,539 S \* 2/2014 Dhillon ..... D3/201  
D731,303 S \* 6/2015 Daggett ..... D9/420  
D749,363 S \* 2/2016 Tacker ..... D7/510  
9,320,567 B2 \* 4/2016 Stark ..... A61B 50/362  
D761,551 S \* 7/2016 Stueckemann ..... D3/203.1  
9,839,479 B2 \* 12/2017 Sichau ..... A61B 50/39

(Continued)

*Primary Examiner* — John Windmuller

*Assistant Examiner* — Steven J Czyz

(74) *Attorney, Agent, or Firm* — Schiff Hardin LLP

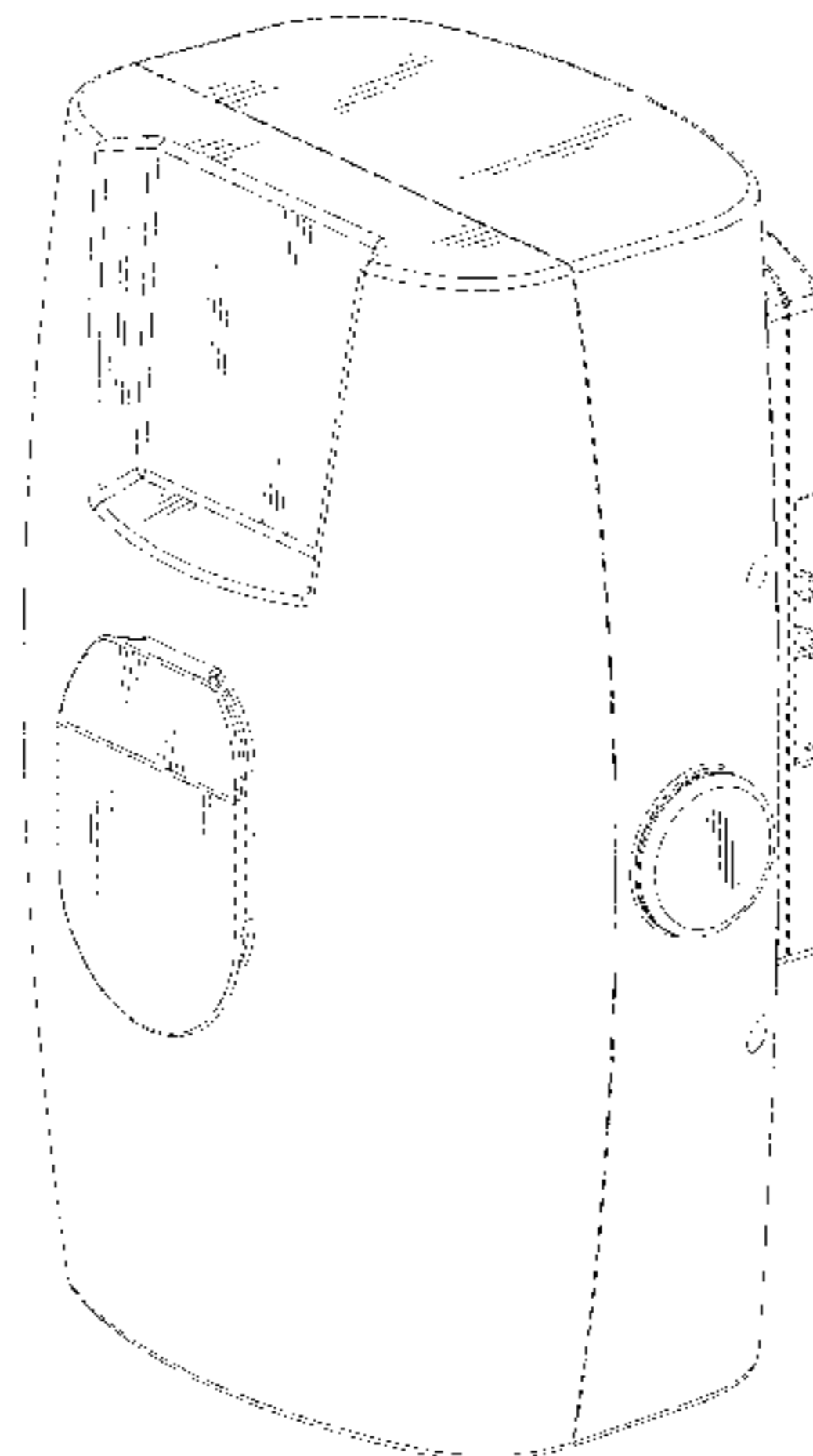
(57) **CLAIM**

The ornamental design for a medical equipment container, as shown and described.

**DESCRIPTION**

FIG. 1 is a front elevational view of a medical equipment container showing our new design;  
FIG. 2 is a back elevational view thereof;  
FIG. 3 is a top plan view thereof;  
FIG. 4 is a bottom plan view thereof;  
FIG. 5 is a right side elevational view thereof;  
FIG. 6 is a left side elevational view thereof;  
FIG. 7 is a perspective view taken generally from the front, top, and right-hand side thereof; and,  
FIG. 8 is a perspective view taken generally from the back, top, and left-hand side thereof.

**1 Claim, 8 Drawing Sheets**



(56)

**References Cited**

U.S. PATENT DOCUMENTS

D807,504 S \* 1/2018 Pena ..... D24/131  
D808,152 S \* 1/2018 Giannopoulos ..... D3/203.1  
10,080,621 B2 \* 9/2018 Nakagami ..... A61M 5/3205

\* cited by examiner

FIG. 1

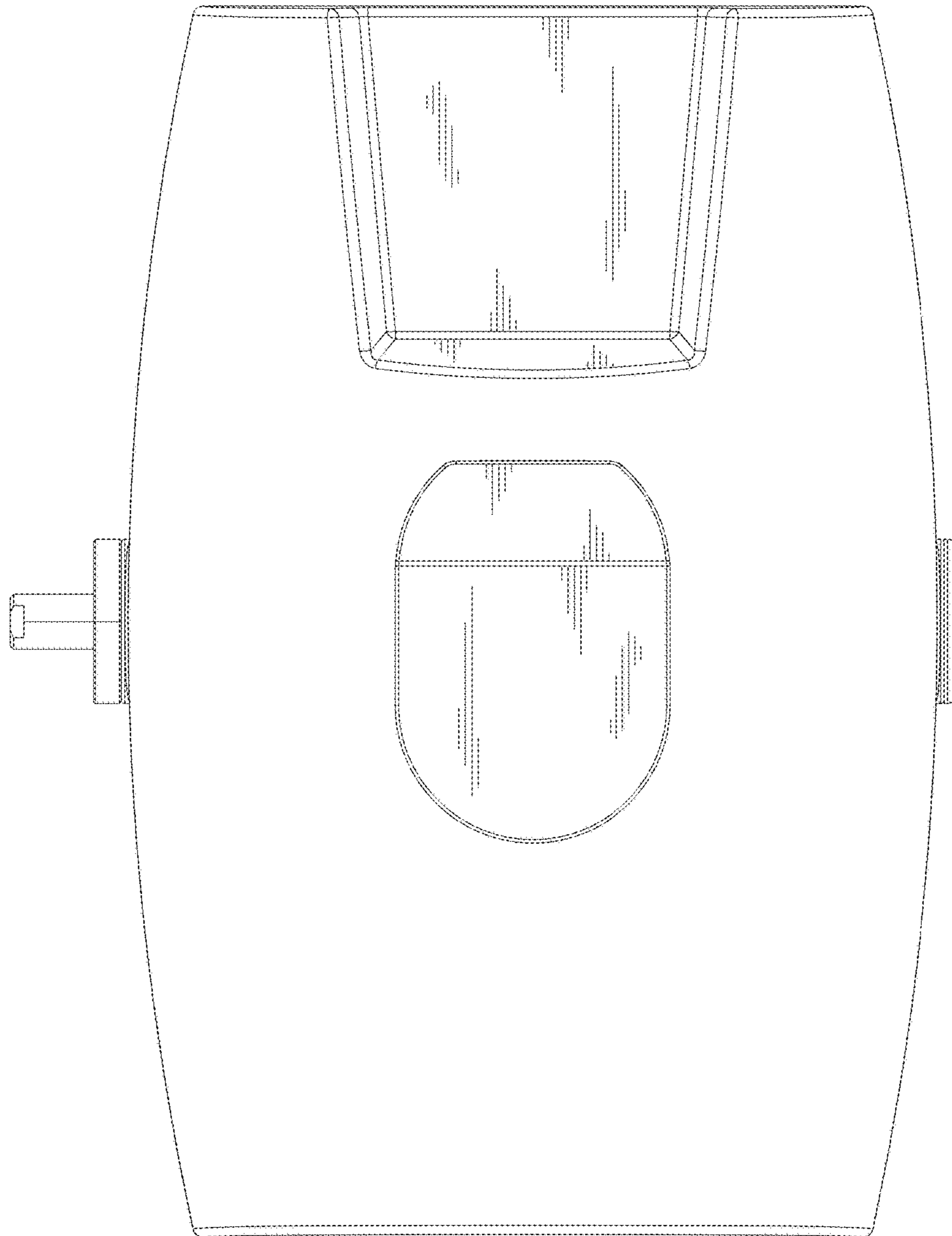


FIG. 2

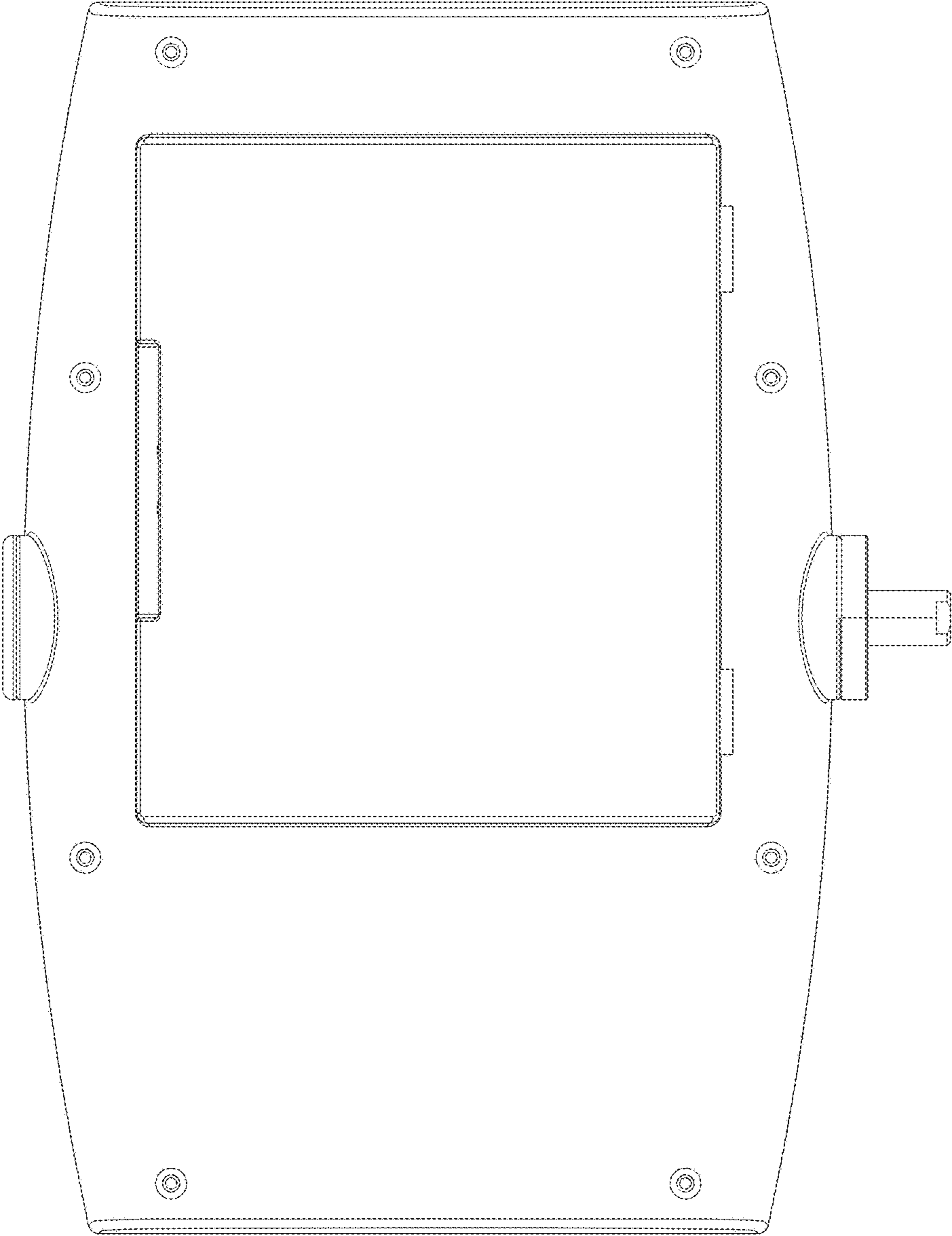


FIG. 3

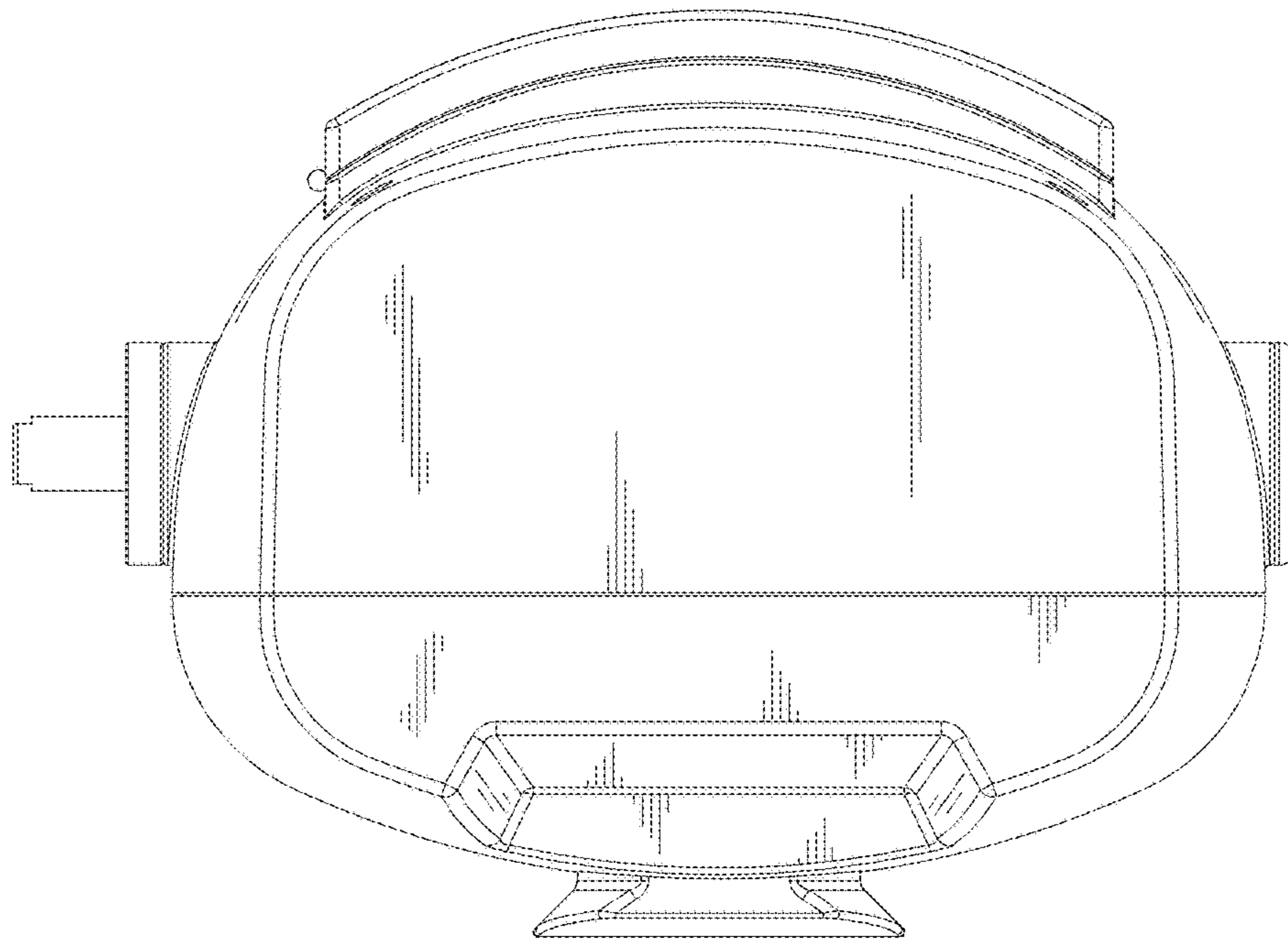


FIG. 4

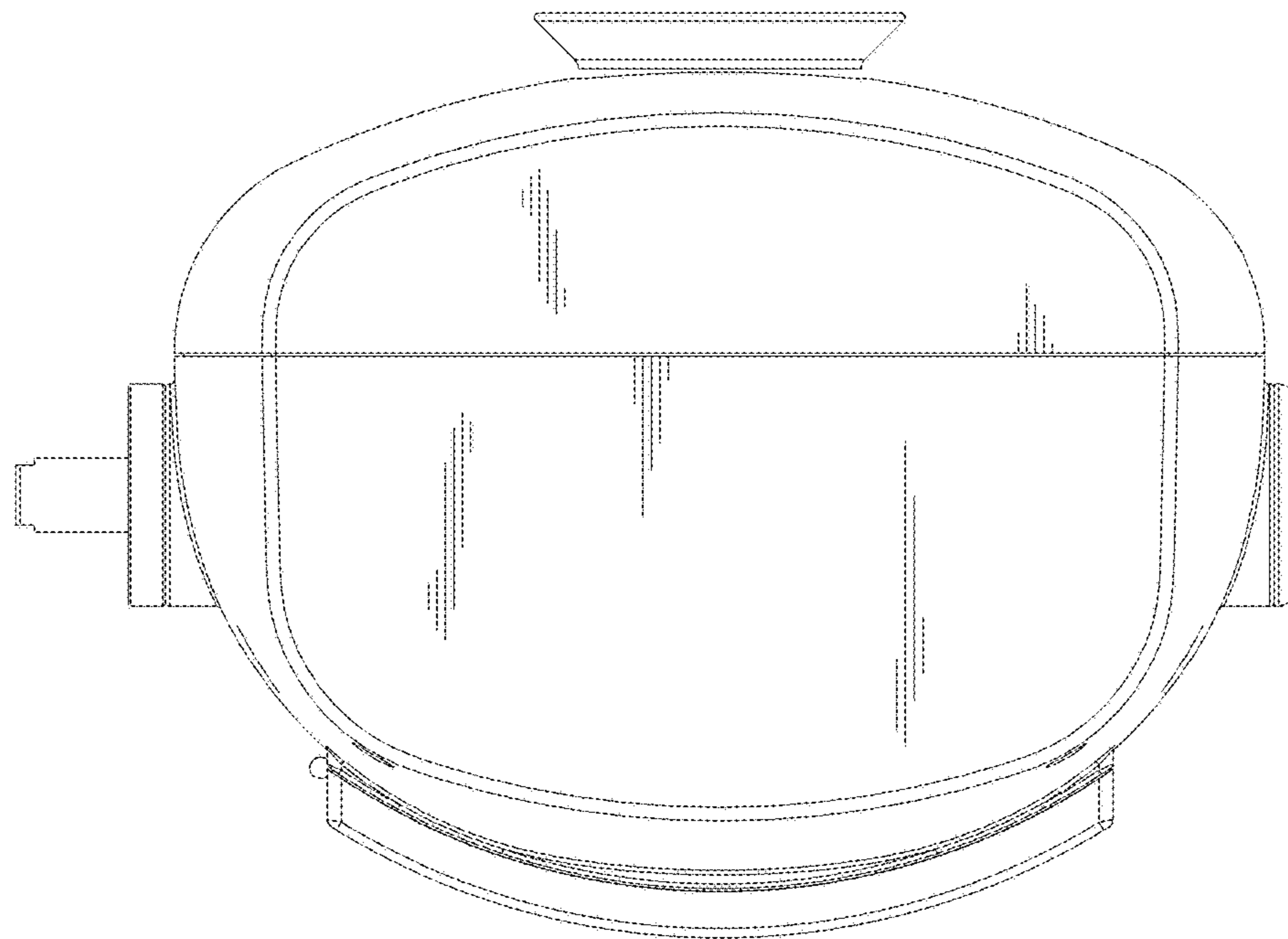




FIG. 5

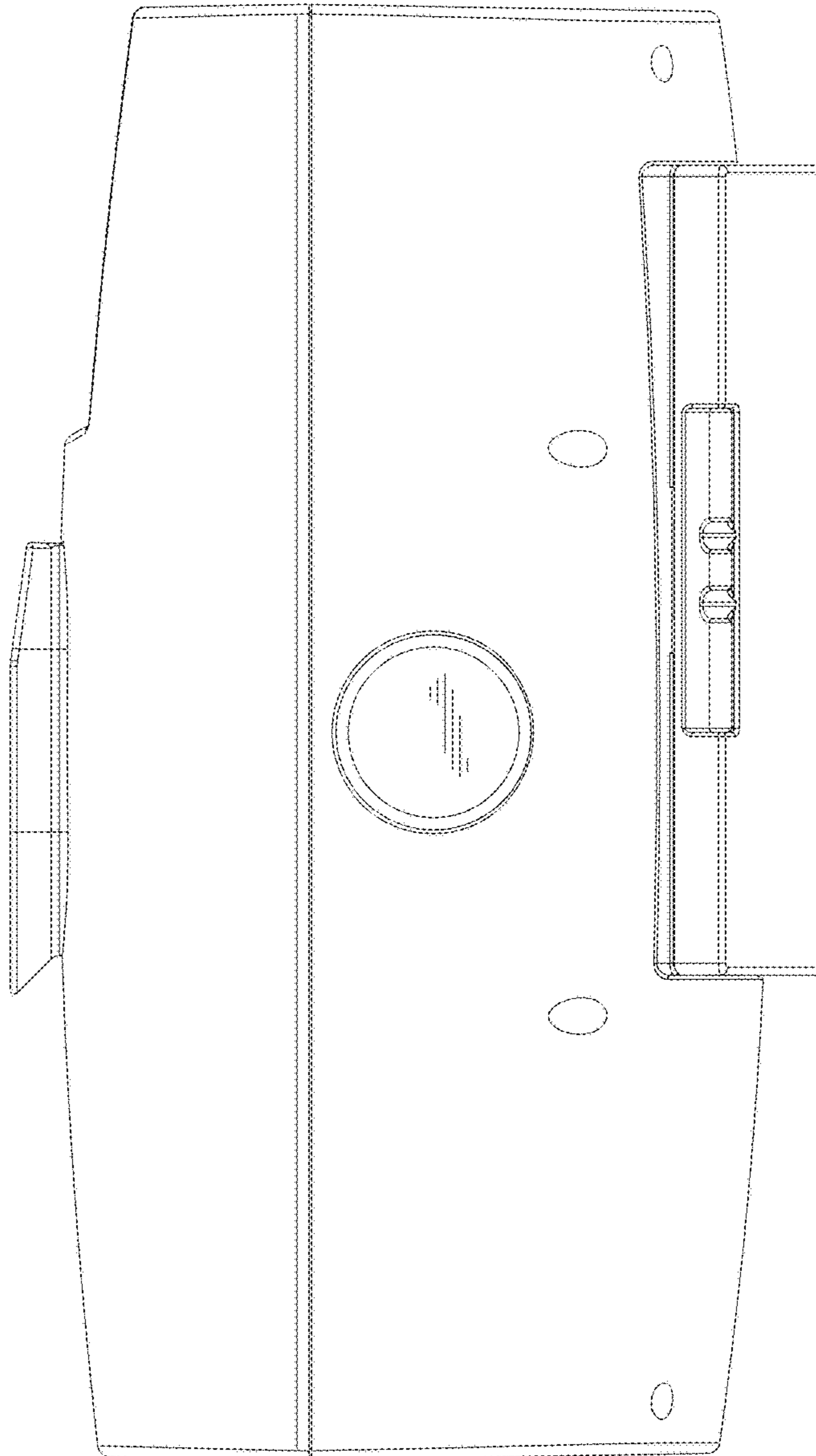


FIG. 6

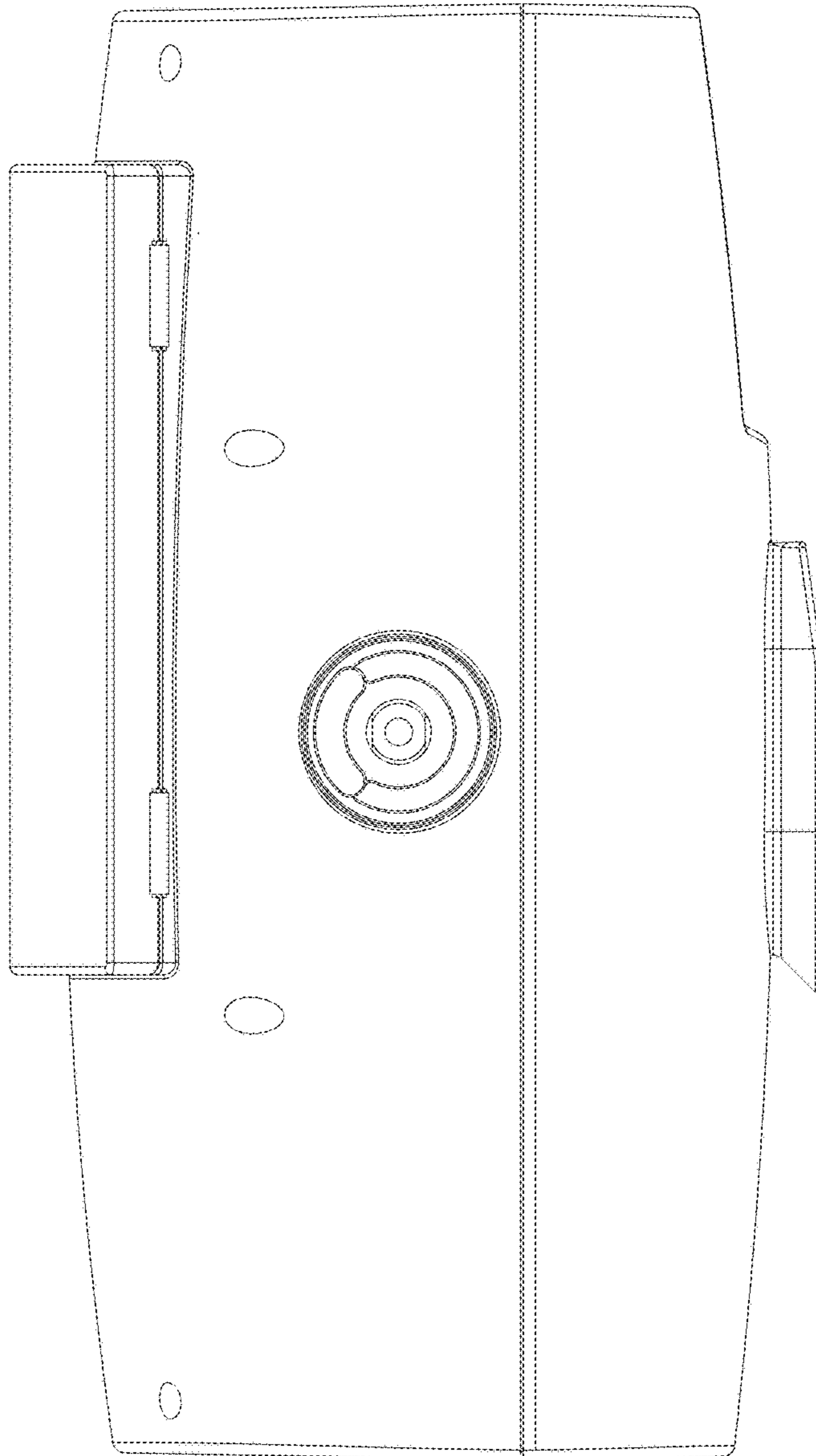




FIG. 7

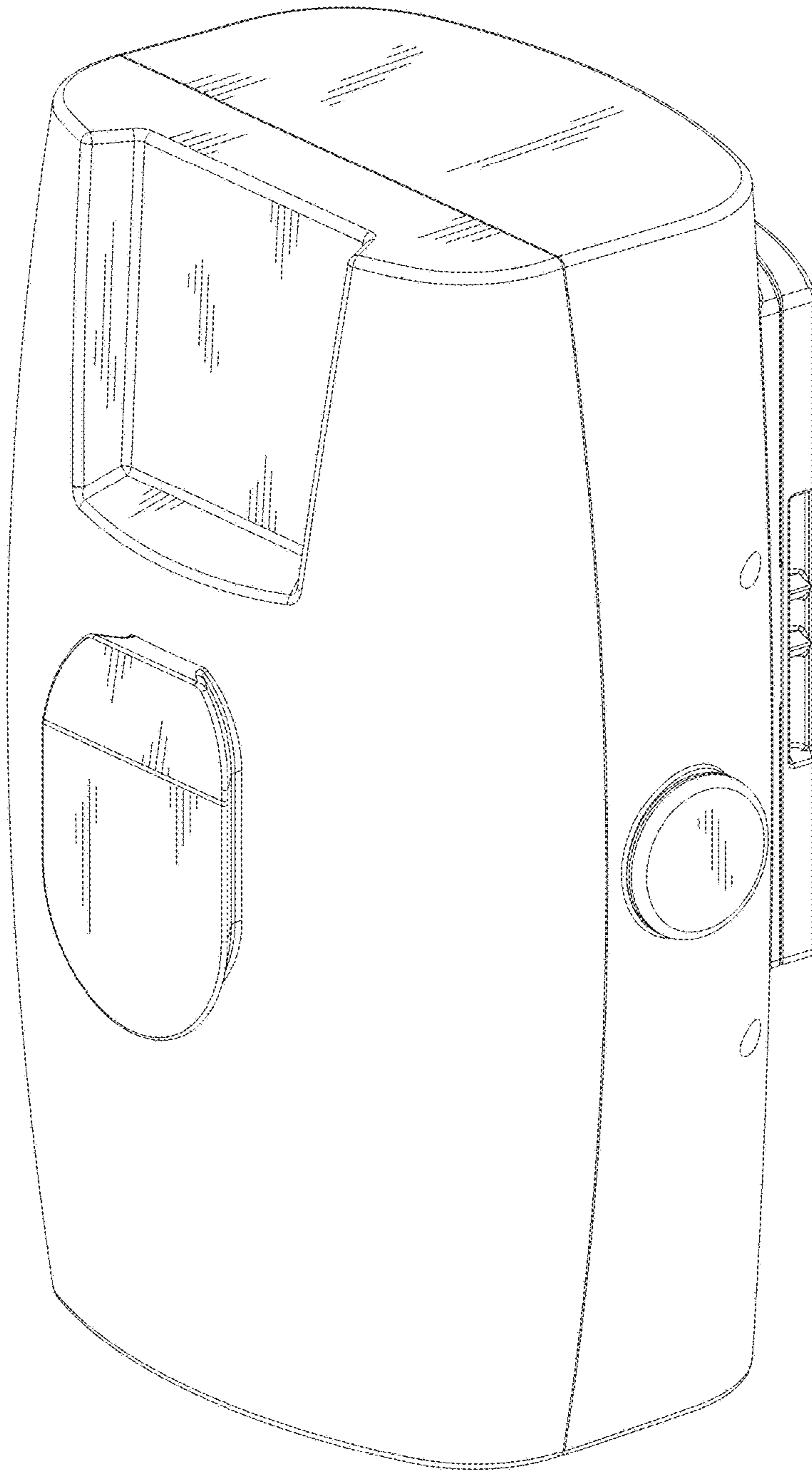


FIG. 8

