



US00D854280S

(12) **United States Design Patent**
Ngangu

(10) **Patent No.:** **US D854,280 S**
(45) **Date of Patent:** **** *Jul. 23, 2019**

(54) **UNDERGARMENT WITH ZIPPERED POCKET**

(71) Applicant: **Victorine D. Ngangu**, Los Angeles, CA (US)

(72) Inventor: **Victorine D. Ngangu**, Los Angeles, CA (US)

(*) Notice: This patent is subject to a terminal disclaimer.

(**) Term: **15 Years**

(21) Appl. No.: **29/646,369**

(22) Filed: **May 3, 2018**

(51) **LOC (11) Cl.** **02-01**

(52) **U.S. Cl.**
USPC **D2/712**

(58) **Field of Classification Search**
USPC D2/712, 704, 738, 711, 713; 2/400, 406
CPC A41B 9/02; A41D 1/062; A41D 1/065;
A41D 1/067; A41D 1/08; A41D 7/00;
A41D 7/005
See application file for complete search history.

(56) **References Cited**

U.S. PATENT DOCUMENTS

2,544,840	A *	3/1951	Kowatsch	A41D 7/005 2/252
4,449,254	A *	5/1984	Fogg	A41D 7/005 2/407
5,093,935	A *	3/1992	Countee, Jr.	A41B 9/02 2/247
D339,445	S *	9/1993	Russano	D2/712
D396,542	S *	8/1998	Nicholson	D2/712
6,092,240	A *	7/2000	Weller	A41D 13/1254 2/114
D450,911	S *	11/2001	Bell	D2/712
D460,171	S *	7/2002	Tasbas	D23/367

D581,628	S *	12/2008	Spring	D2/712
D584,481	S *	1/2009	Blumenfeld	D2/712
D584,880	S *	1/2009	Ingrassia	D2/712
D589,234	S *	3/2009	Blumenfeld	D2/712
D620,227	S *	7/2010	Spring	D2/712
D632,055	S *	2/2011	Wynn	D2/712
D646,382	S *	10/2011	Connor	D24/125
D679,067	S *	4/2013	Costanzo	D2/712
D702,917	S *	4/2014	White	D2/712
D711,070	S *	8/2014	Lecigne	D2/712
D711,626	S *	8/2014	Savage	D2/738
D759,345	S *	6/2016	Astin	D2/712
D760,993	S *	7/2016	Dawkins	D2/712
D760,995	S *	7/2016	Astin	D2/712
D768,958	S *	10/2016	Dickson	D2/712

(Continued)

Primary Examiner — Robin V Webster

Assistant Examiner — J. Thorn, Sr.

(74) *Attorney, Agent, or Firm* — Inventech Patent Services, LLC

(57) **CLAIM**

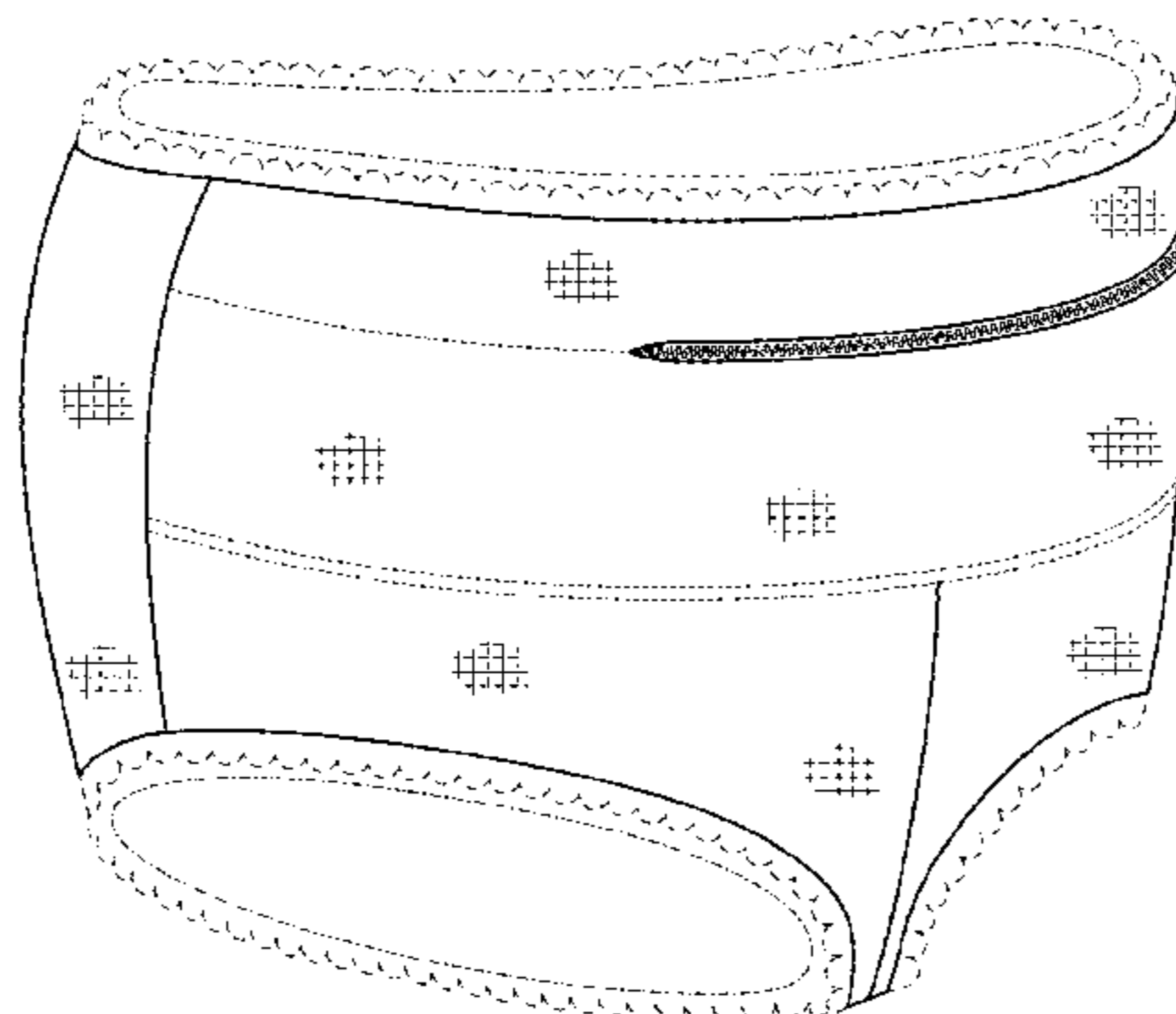
I claim the ornamental design for an undergarment with zippered pocket, as shown and described.

DESCRIPTION

FIG. 1 is a front perspective view of an undergarment with zippered pocket, showing my new design; FIG. 2 is a front elevational view thereof; FIG. 3 is a rear elevational view thereof; FIG. 4 is a first side elevational view thereof; FIG. 5 is a second side elevational view thereof; FIG. 6 is a top plan view thereof; and, FIG. 7 is a bottom plan view thereof.

The uppermost and lowermost broken lines representing lace bands of the undergarment form no part of the claimed design. The evenly dashed broken lines representing stitching form no part of the claimed design. The areas demarcated by dash-dot boundary lines represent areas forming no part of the claimed design.

1 Claim, 7 Drawing Sheets



(56)

References Cited

U.S. PATENT DOCUMENTS

D811,041 S *	2/2018	Bethke, Jr.	D2/712
D820,558 S *	6/2018	Warman	D2/712
2012/0123376 A1 *	5/2012	Alves	A61F 13/491 604/378

* cited by examiner

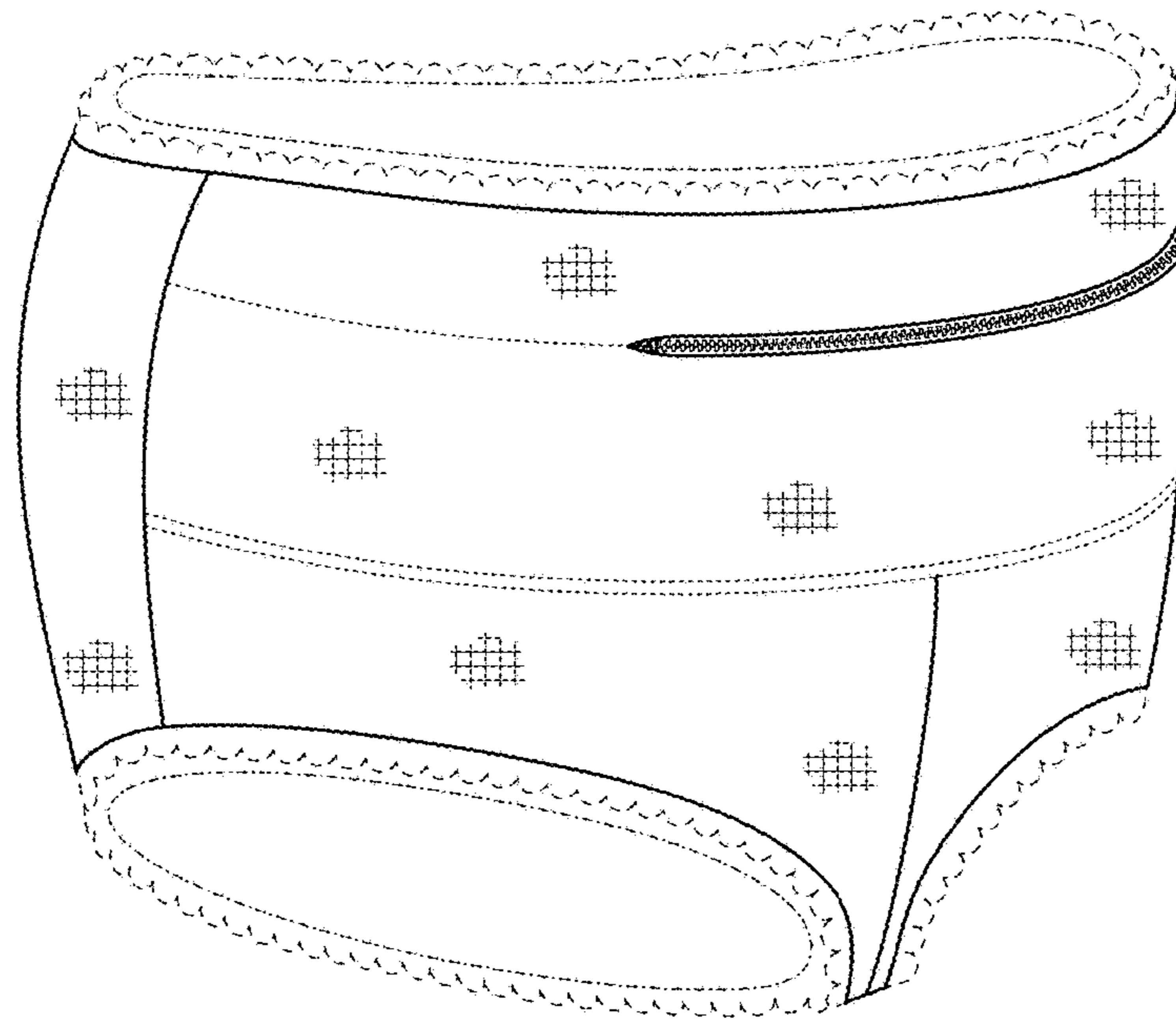


FIG. 1

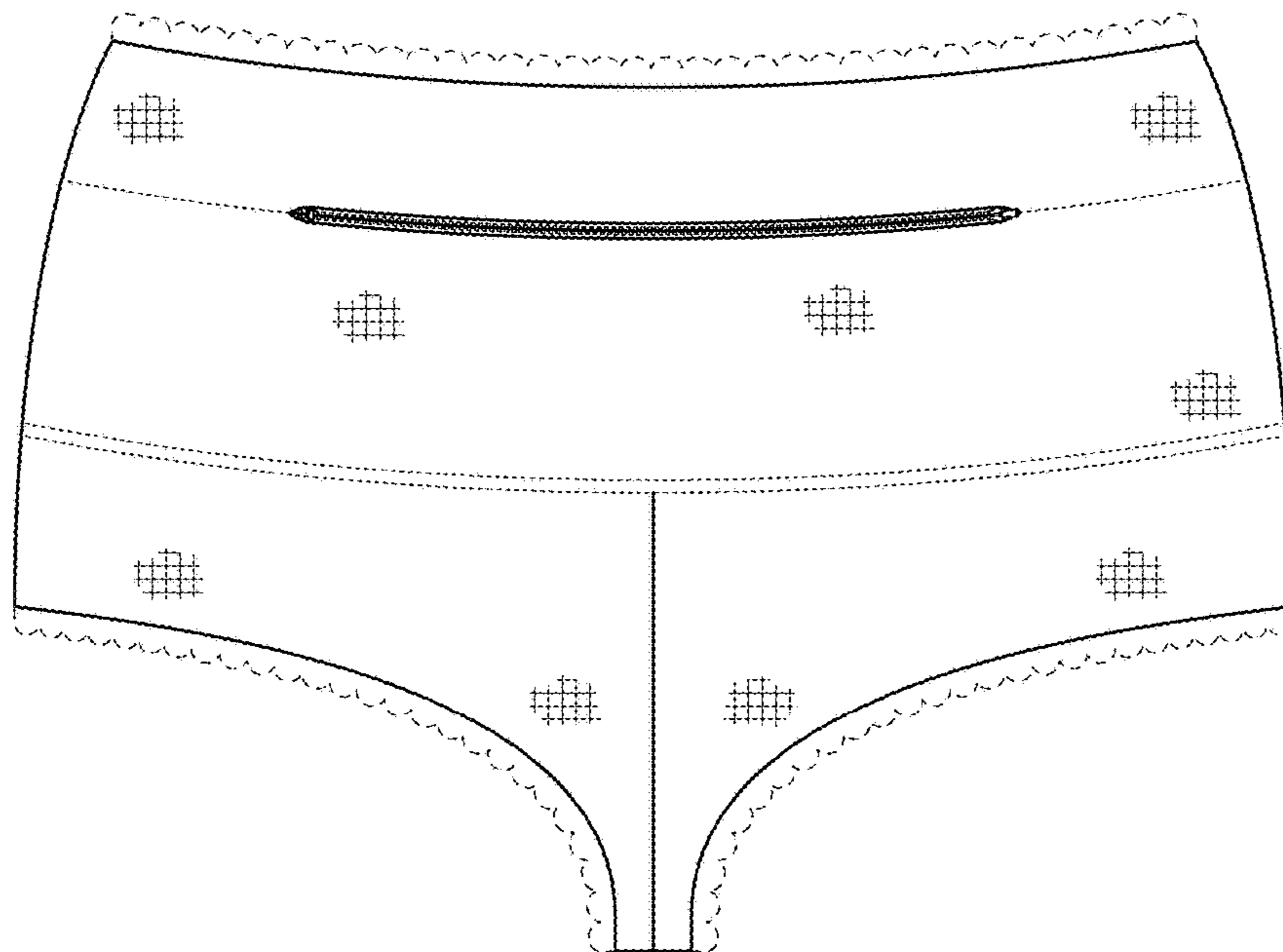


FIG. 2

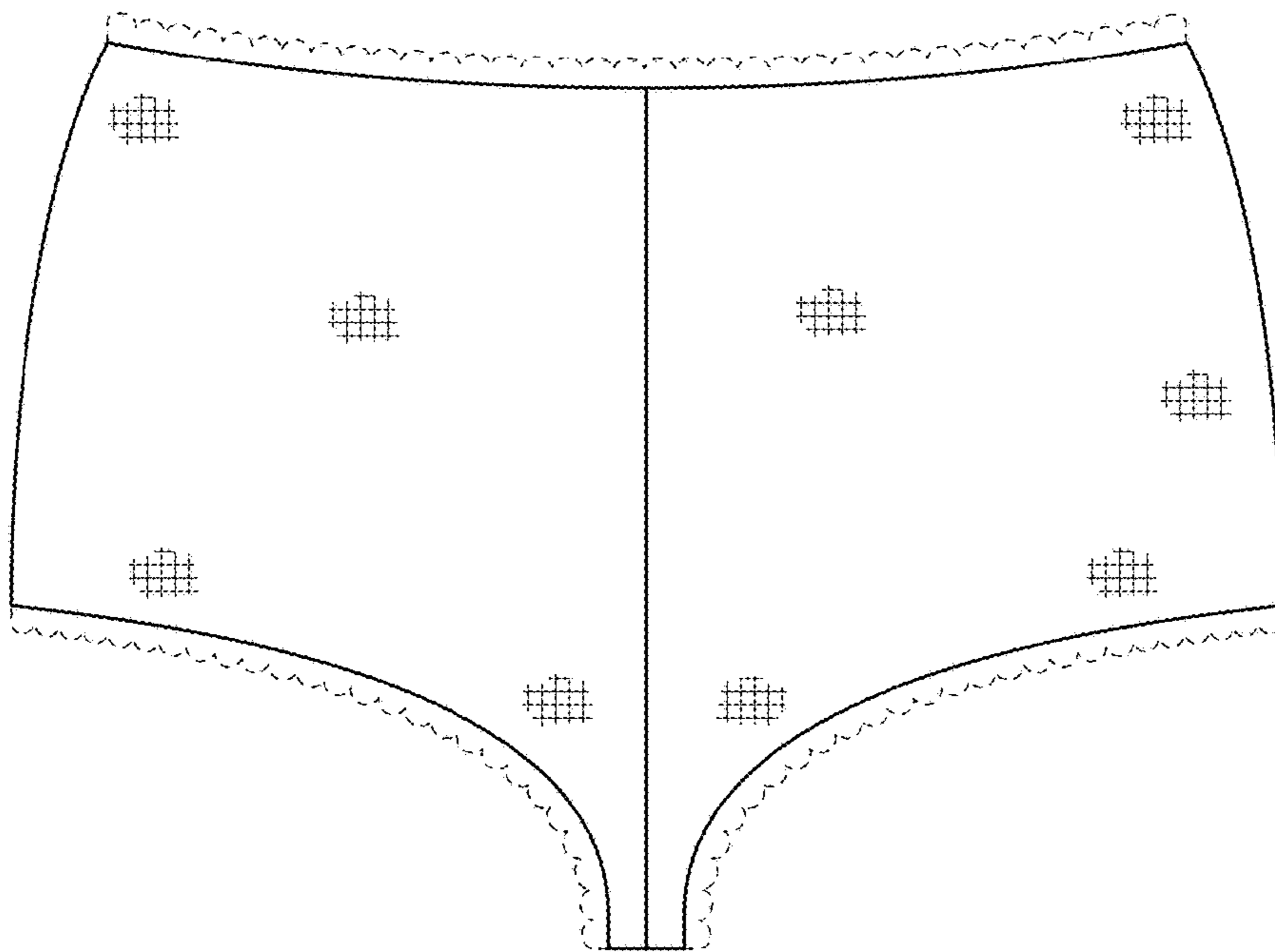


FIG. 3

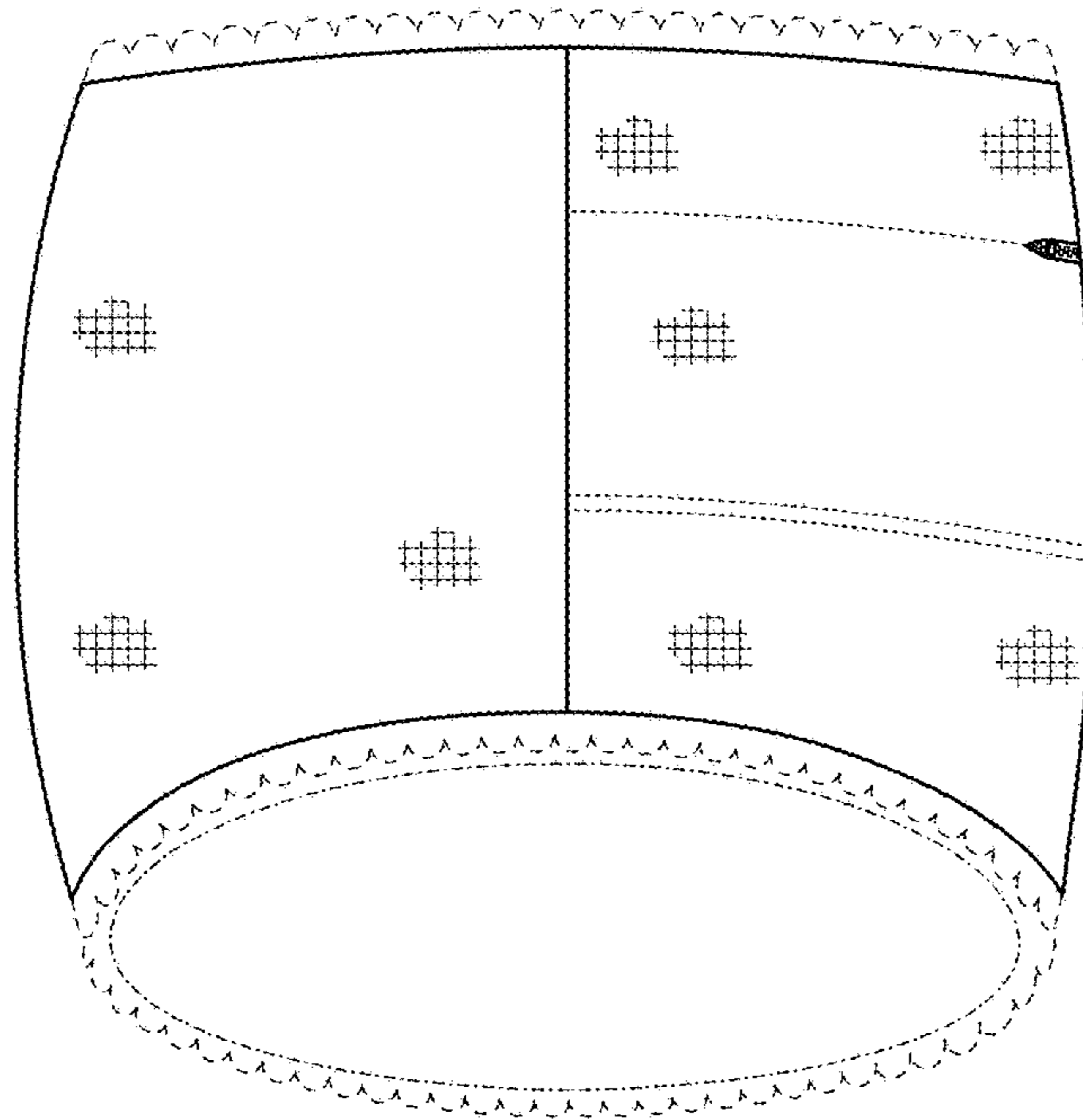


FIG. 4

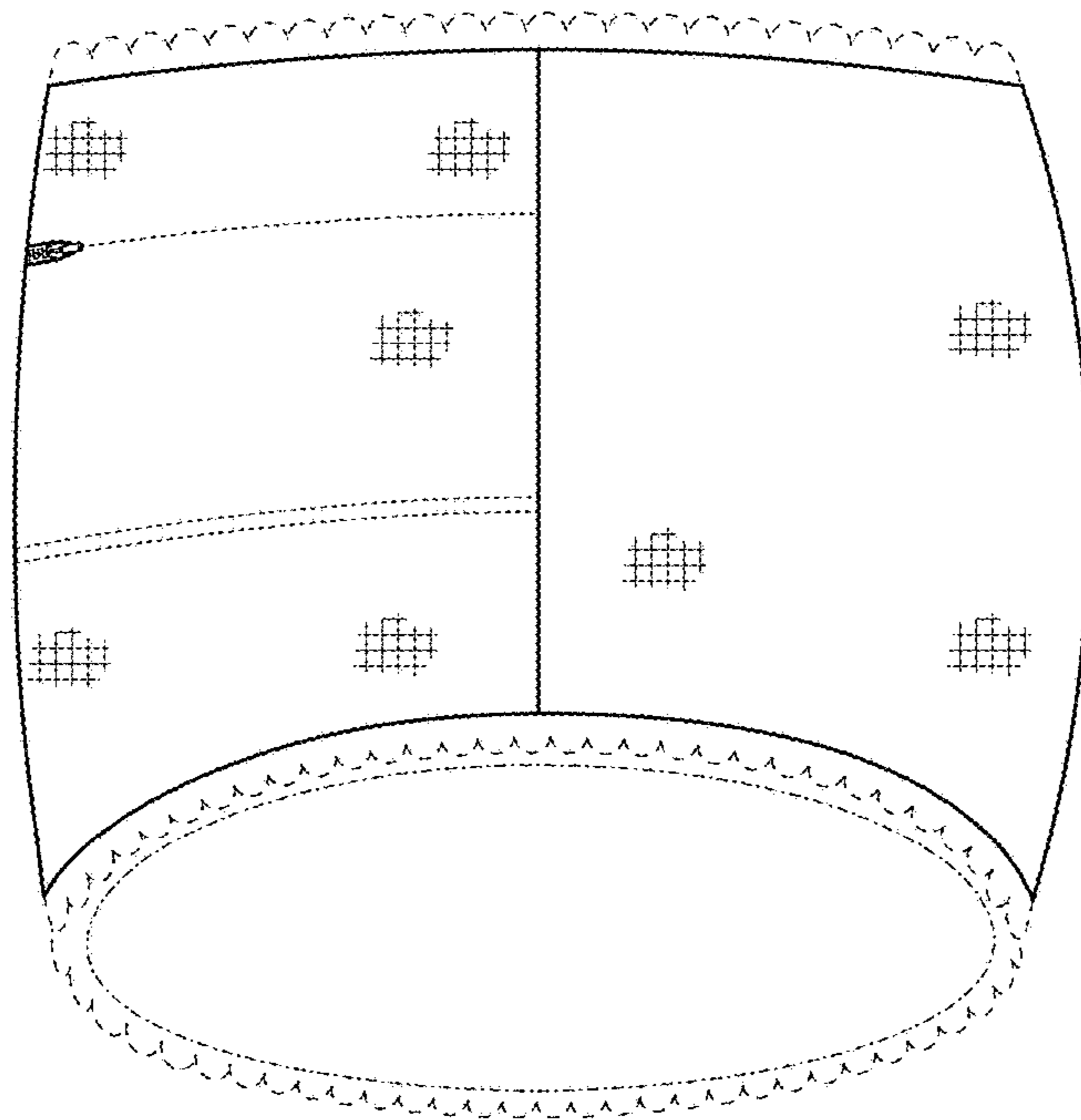


FIG. 5

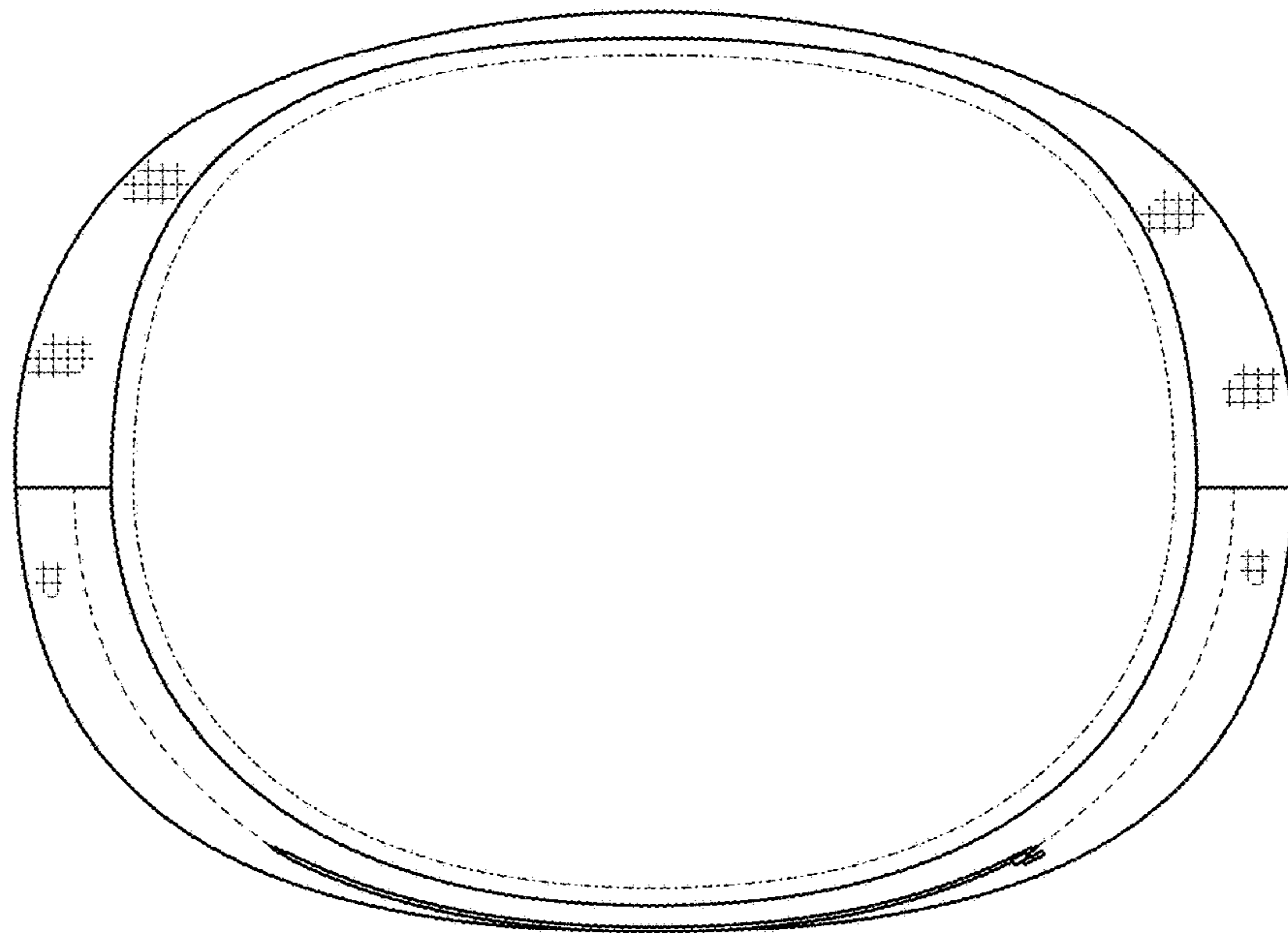


FIG. 6

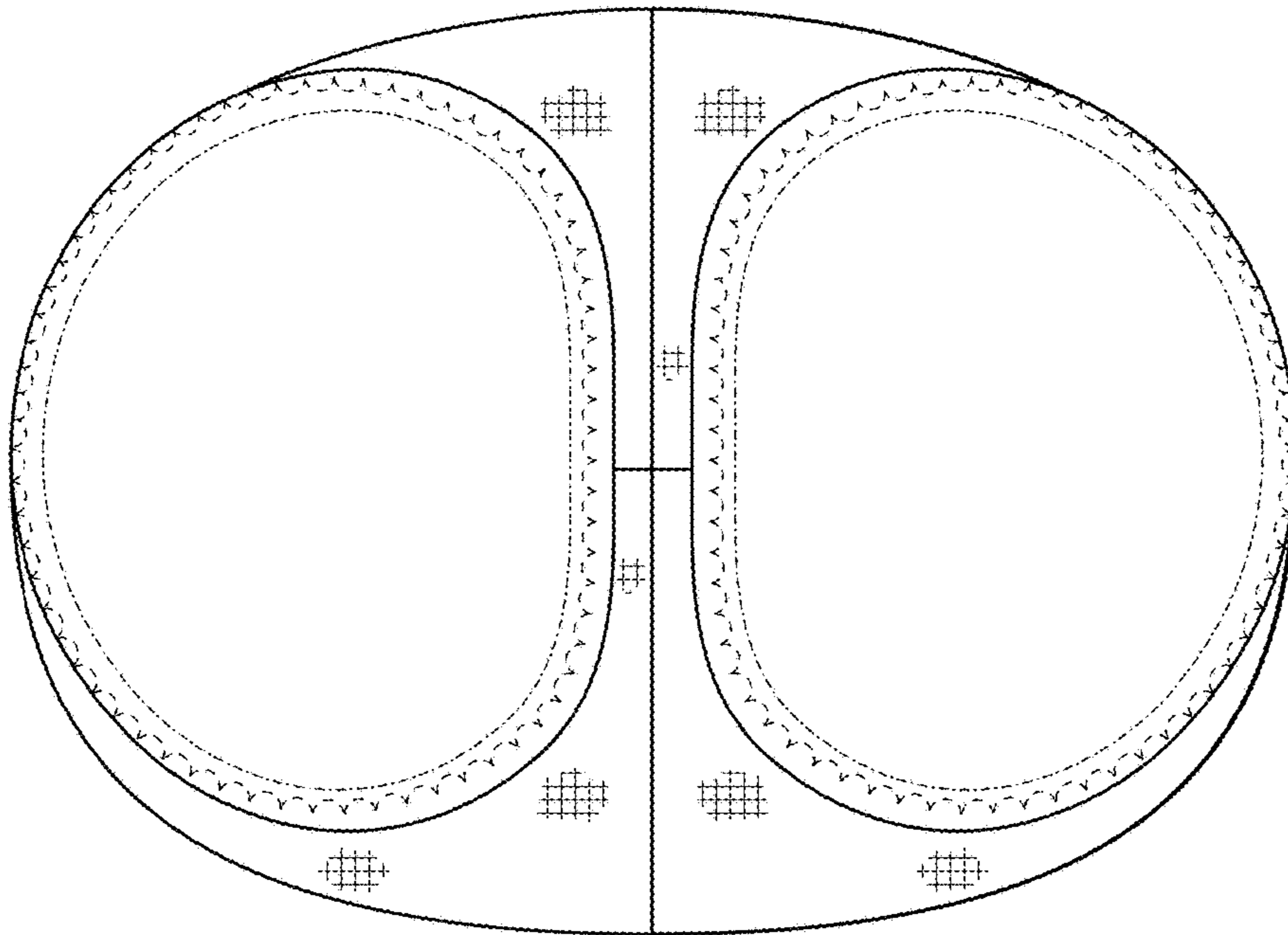


FIG. 7