



US00D854277S

(12) **United States Design Patent**
Kendall

(10) **Patent No.:** **US D854,277 S**
(45) **Date of Patent:** **** Jul. 16, 2019**

- (54) **BASE OF A CASKET**
- (71) Applicant: **Castek Environmental Products Inc.,**
Richmond Hill (CA)
- (72) Inventor: **Desmond Maurice Kendall,** Toronto
(CA)
- (73) Assignee: **CASTEK ENVIRONMENTAL**
PRODUCTS INC., Richmond Hill
(CA)
- (**) Term: **15 Years**
- (21) Appl. No.: **29/619,510**
- (22) Filed: **Sep. 29, 2017**
- (51) **LOC (11) Cl.** **03-01**
- (52) **U.S. Cl.**
USPC **D99/1**
- (58) **Field of Classification Search**
USPC D99/1, 2, 3, 4, 6, 7, 8, 9, 10, 11, 12, 13,
D99/14, 15, 16
CPC A61G 19/00; A61G 21/00; A61G 17/00;
A61G 17/001; A61G 17/002; A61G
17/004; A61G 17/007; A61G 17/04;
A61G 17/02; A61G 99/00; A62B 33/00
See application file for complete search history.

- (56) **References Cited**
U.S. PATENT DOCUMENTS
1,344,674 A * 6/1920 Bowman A61G 17/00
27/6
1,381,908 A * 6/1921 Downer A61G 17/00
27/7
1,679,032 A * 7/1928 Hitchcock A47K 5/02
248/212
D208,470 S * 9/1967 Madej D99/1
3,781,948 A * 1/1974 Pitt A61G 17/02
27/17

- D303,032 S * 8/1989 Clements D99/1
- 4,951,367 A * 8/1990 Wolfe A61G 17/04
27/19
- D334,662 S * 4/1993 van Berne D3/272
- D341,971 S * 12/1993 Corbin D6/536
- D346,928 S * 5/1994 Shames D6/540
- D355,520 S * 2/1995 Harrill D99/1
- 5,457,861 A * 10/1995 Lloyd A61G 17/02
27/10
- 5,775,061 A * 7/1998 Enneking A61G 17/00
53/445
- D420,192 S * 2/2000 Cummings D99/1
- D420,193 S * 2/2000 Cummings D99/1
- D498,103 S * 11/2004 Dretzka D6/536
- D681,451 S * 5/2013 Kui D9/432
- D770,232 S * 11/2016 Brown D7/554.3
- D806,534 S * 1/2018 Chou D9/425
- D824,692 S * 8/2018 Kwiatkowski D6/536
- D839,619 S * 2/2019 Umholtz D6/356

(Continued)

Primary Examiner — Barbara Fox
Assistant Examiner — Messina L Smith
(74) *Attorney, Agent, or Firm* — Stephen E. Zweig

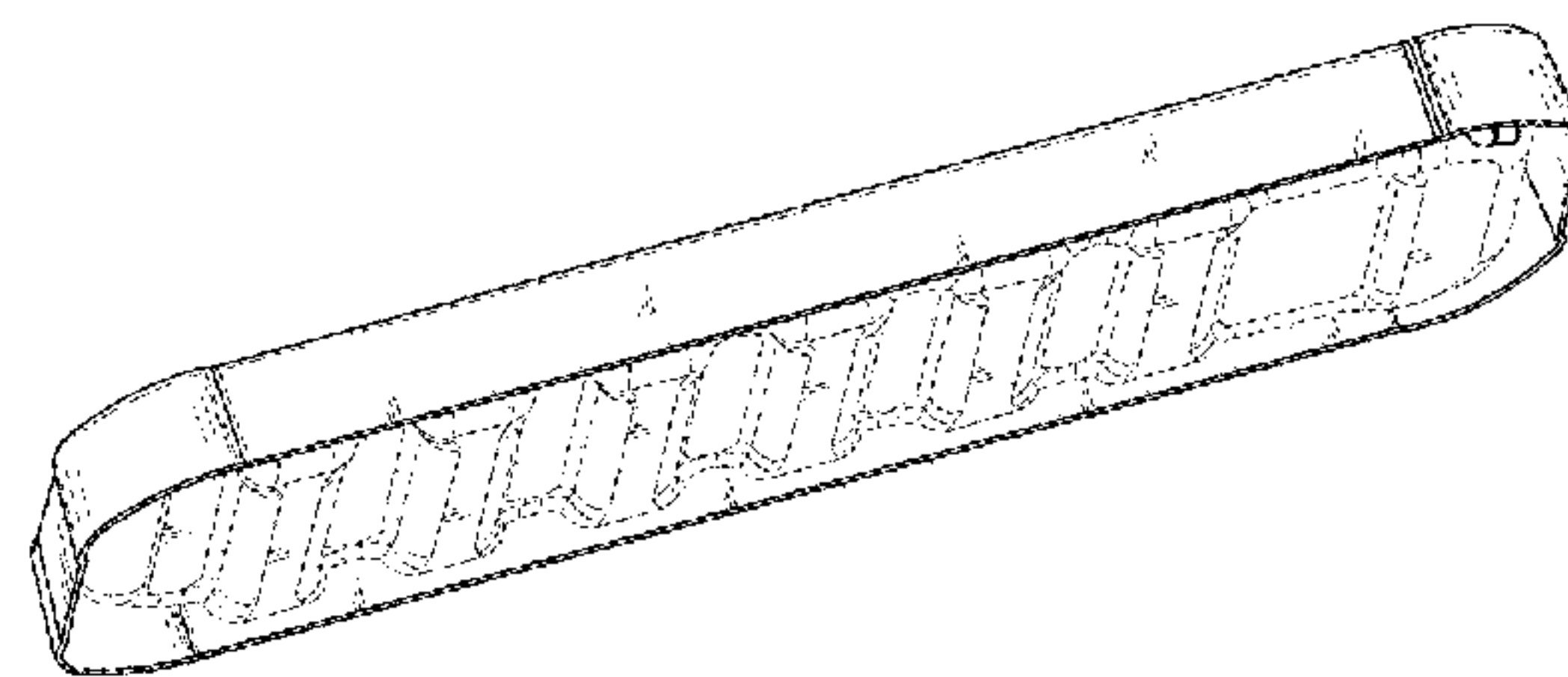
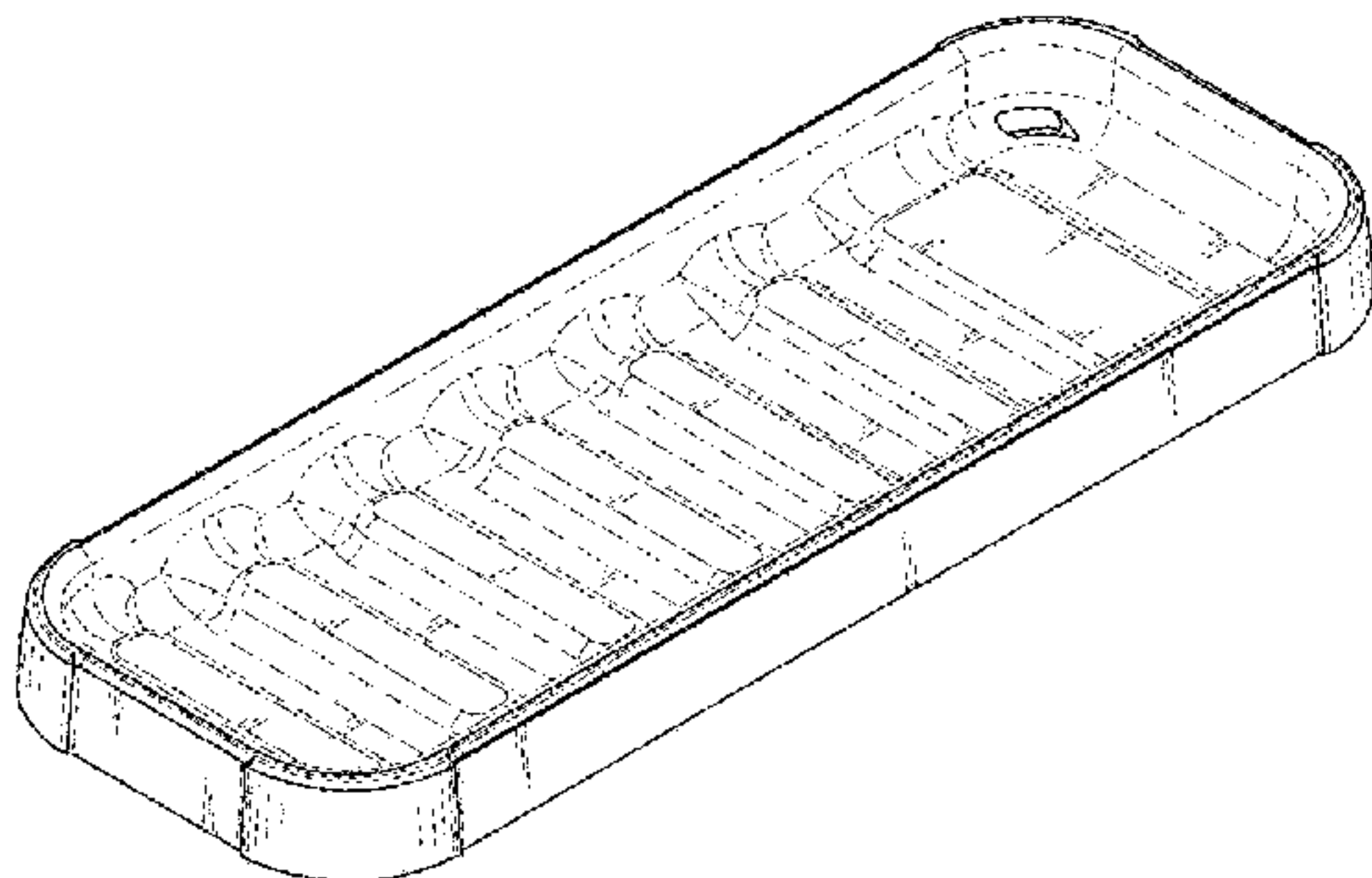
(57) **CLAIM**

The ornamental design for a base of a casket, as shown and described.

DESCRIPTION

FIG. 1 is a top front perspective view of a base of a casket showing my new design.
FIG. 2 is a bottom front perspective view of the base of a casket.
FIG. 3 is a top plan view of the base of a casket.
FIG. 4 is a bottom plan view of the base of a casket.
FIG. 5 is a left side elevation view of the base of a casket.
FIG. 6 is a right side elevation view of the base of a casket; and,
FIG. 7 is a rear side elevation view of the base of a casket; the front side elevation view is a mirror image.

1 Claim, 5 Drawing Sheets



(56)

References Cited

U.S. PATENT DOCUMENTS

2017/0203892 A1* 7/2017 Buck B65D 21/0223
2018/0000678 A1* 1/2018 Davis A61G 17/001
2018/0257424 A1* 9/2018 Robertson B44D 3/121

* cited by examiner

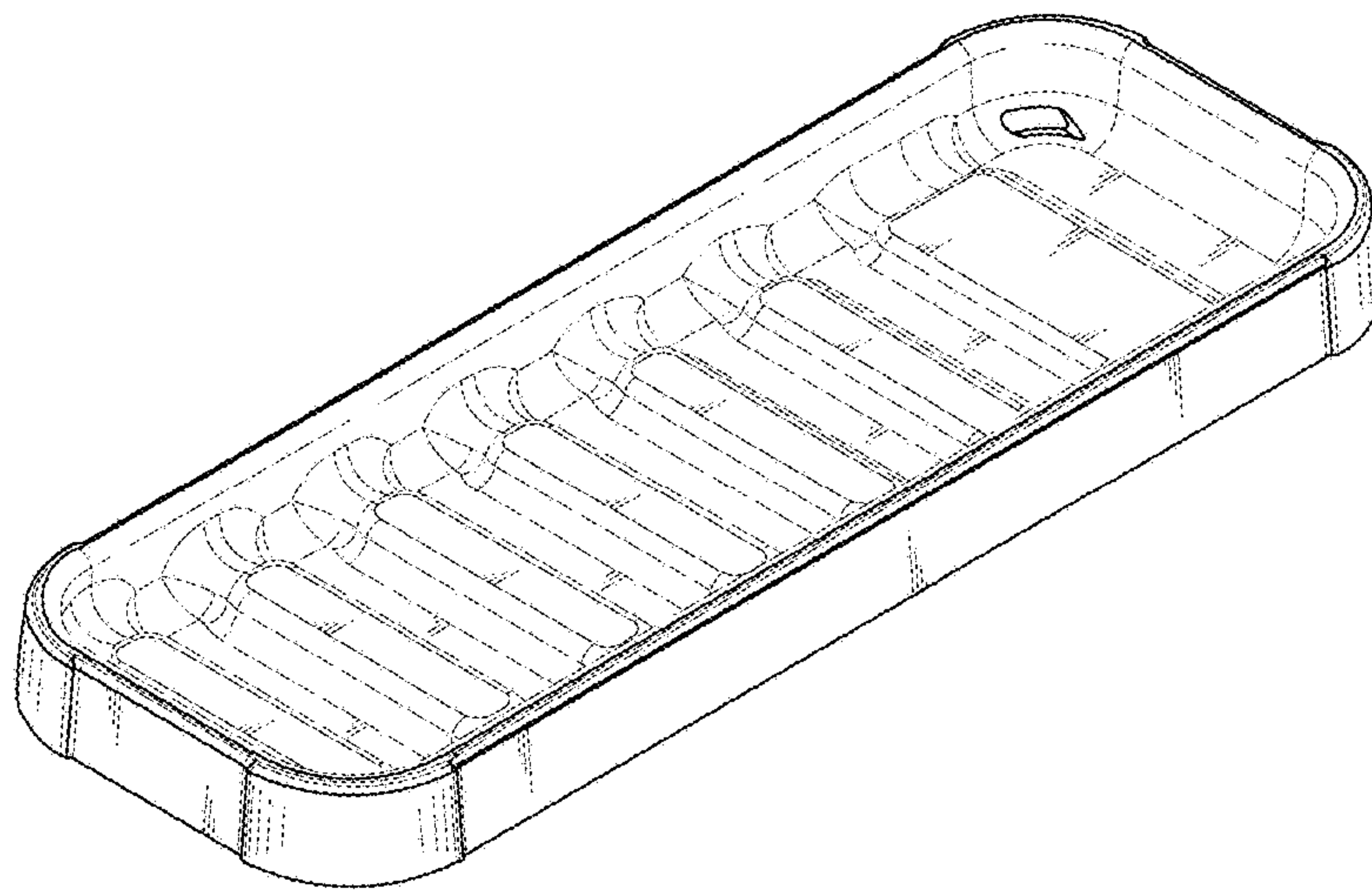


FIG. 1

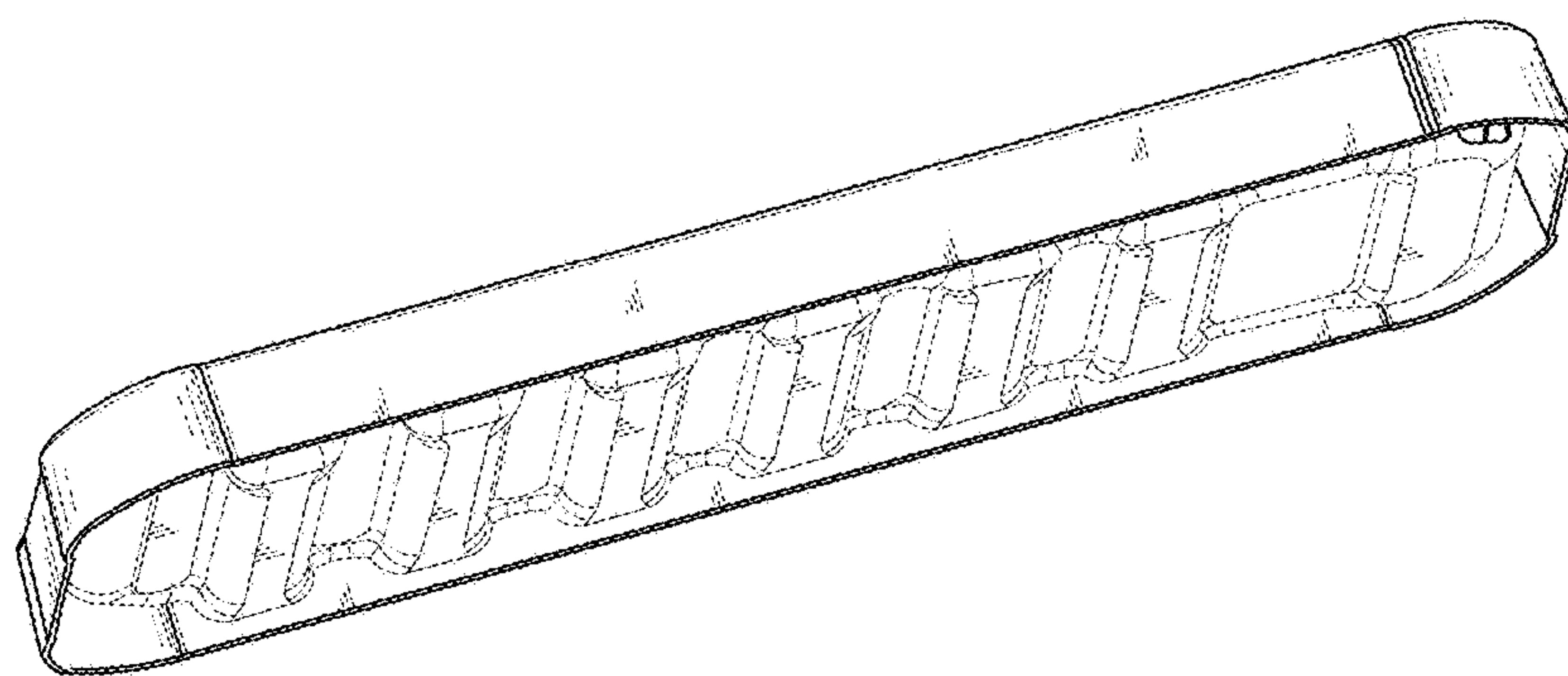


FIG. 2

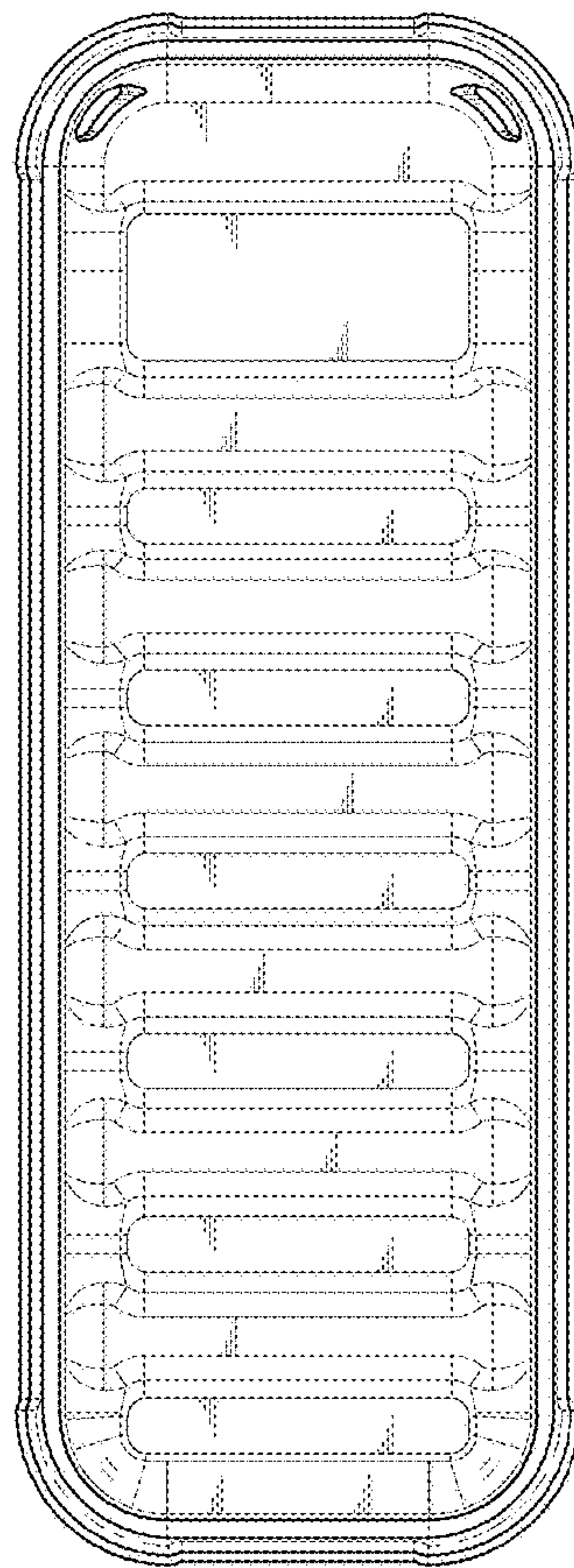


FIG. 3

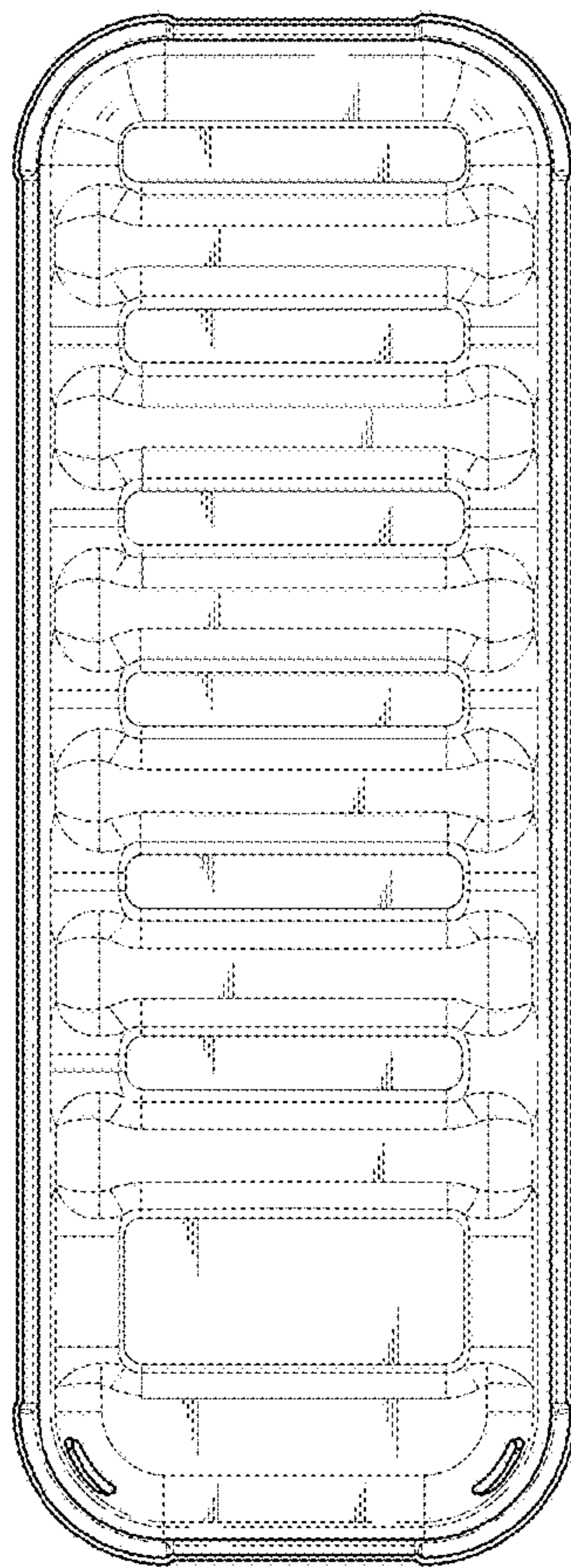


FIG. 4

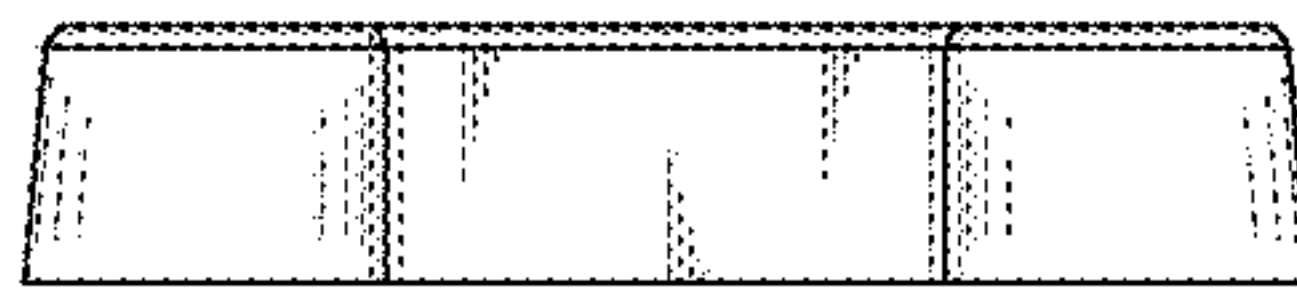


FIG. 5

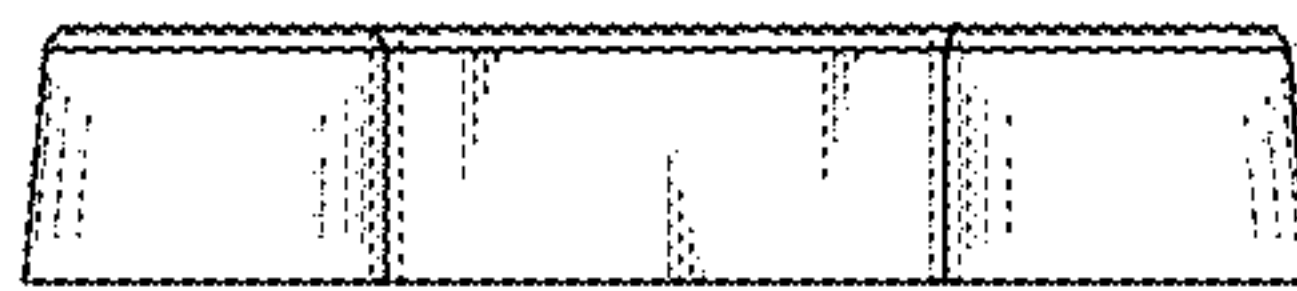


FIG. 6

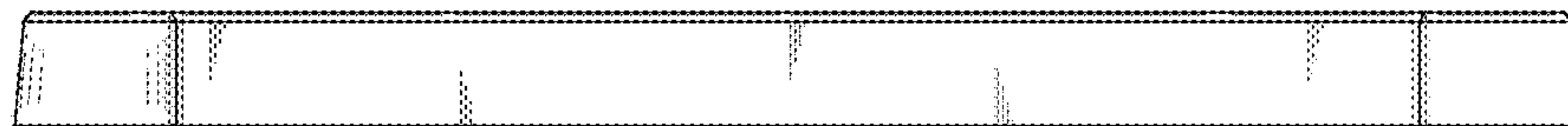


FIG. 7