



US00D854275S

(12) **United States Design Patent** (10) **Patent No.:** **US D854,275 S**  
**Westwood et al.** (45) **Date of Patent:** **\*\* Jul. 16, 2019**

(54) **COMBINED PATIENT CEILING-HOIST TROLLEY AND MOTOR UNIT**

(71) Applicant: **Joerns Healthcare Limited**,  
Worcestershire (GB)

(72) Inventors: **Christopher Steven Westwood**,  
Worcestershire (GB); **Darryl Cain**,  
Shatterford (GB)

(73) Assignee: **Joerns Healthcare Limited**, Pershore,  
Worcestershire (GB)

(\*\*) Term: **15 Years**

(21) Appl. No.: **29/580,816**

(22) Filed: **Oct. 13, 2016**

(51) **LOC (11) Cl.** ..... **09-08**

(52) **U.S. Cl.**  
USPC ..... **D34/28**

(58) **Field of Classification Search**  
USPC ..... D34/28  
CPC .... A61G 7/108; A61G 7/1017; A61G 7/1046;  
A61G 7/1051; A61G 7/1065  
See application file for complete search history.

(56) **References Cited**

**U.S. PATENT DOCUMENTS**

2,616,683	A	11/1952	Fevre, Jr.	
2,703,980	A	3/1955	Tell	
5,569,129	A *	10/1996	Seif-Naraghi	..... A61G 7/1019 135/67
5,809,591	A	9/1998	Capaldi et al.	
D451,658	S *	12/2001	Czemerer	..... D34/28
D745,240	S *	12/2015	Yamanaka	..... D34/28
D756,054	S *	5/2016	Hirai	..... D34/28
2003/0084508	A1	5/2003	Faucher et al.	
2004/0173117	A1	9/2004	Galpin et al.	
2010/0224841	A1 *	9/2010	Liljedahl	..... A61G 7/1017 254/120

2014/0201905	A1	7/2014	Glukhovsky	
2014/0283302	A1	9/2014	Horstmann	
2015/0096815	A1	4/2015	Otteweller et al.	
2017/0027794	A1 *	2/2017	Andersson	..... A61G 7/108
2018/0207042	A1 *	7/2018	Ringbjer	..... A61G 7/1055
2018/0344554	A1 *	12/2018	Wallin	..... A61G 7/1042

**FOREIGN PATENT DOCUMENTS**

CN	103832927	A	6/2014	
EP	0656183	A2	6/1995	
EP	2862552	A1 *	4/2015	..... A61G 7/1015

(Continued)

**OTHER PUBLICATIONS**

British Search and Examination Report for GB1606700.1, dated Oct. 17, 2016, 6 pp.

(Continued)

*Primary Examiner* — Cynthia Ramirez

(74) *Attorney, Agent, or Firm* — James A. Sheridan;  
Sheridan Law, LLC

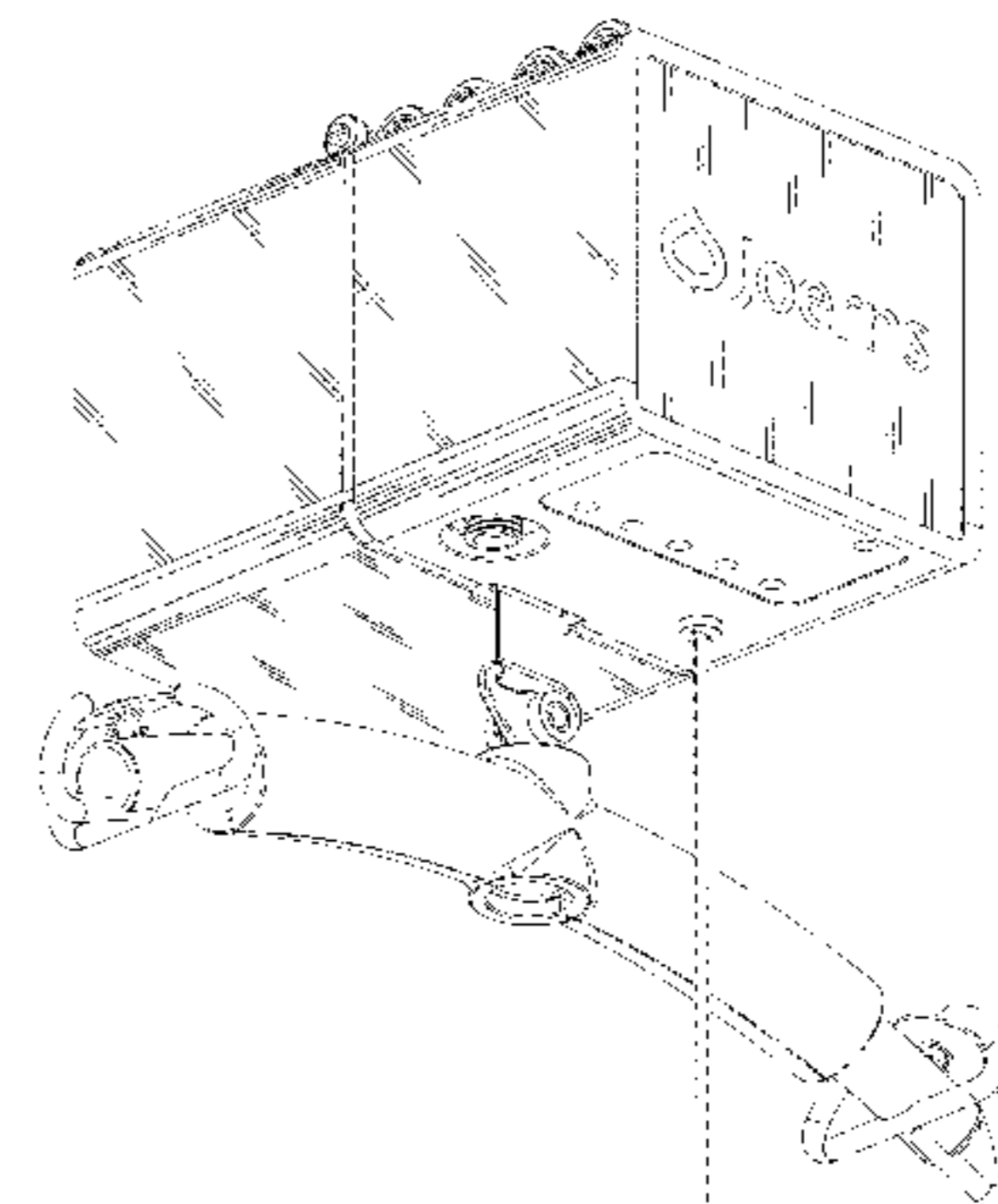
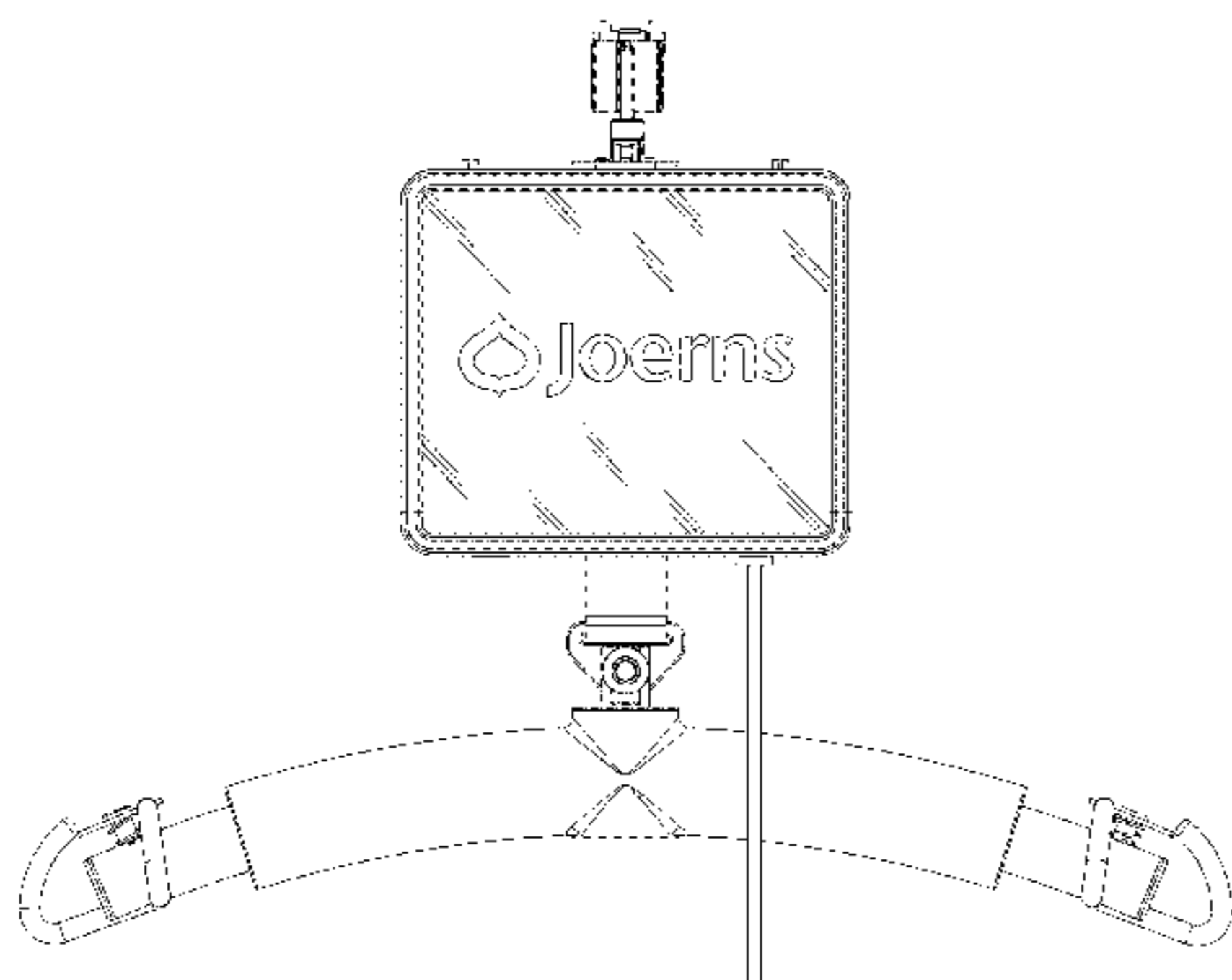
(57) **CLAIM**

The ornamental design for a combined patient ceiling-hoist trolley and motor unit, as shown and described.

**DESCRIPTION**

FIG. 1 is a front view of a combined patient ceiling-hoist trolley and motor unit showing our new design;  
FIG. 2 is a bottom view thereof;  
FIG. 3 is a front view thereof;  
FIG. 4 is a side view thereof;  
FIG. 5 is a top view thereof;  
FIG. 6 is a front left perspective view from the top thereof;  
and,  
FIG. 7 is a front left perspective view from the bottom thereof.

**1 Claim, 7 Drawing Sheets**



(56)

**References Cited**

FOREIGN PATENT DOCUMENTS

GB	1144464	3/1969
GB	1499261	1/1978
GB	2493634	2/2013
JP	9-313548	12/1997
WO	2009/158018	12/2009

OTHER PUBLICATIONS

British Search and Examination Report for GB1606699.5, dated Oct. 17, 2016, 6 pp.

British Search and Examination Report for GB1618827.8, dated Dec. 16, 2016, 2 pp.

English Translation of CN103832927A, 9 pp.

English Translation of JP9-313548, 22 pp.

\* cited by examiner

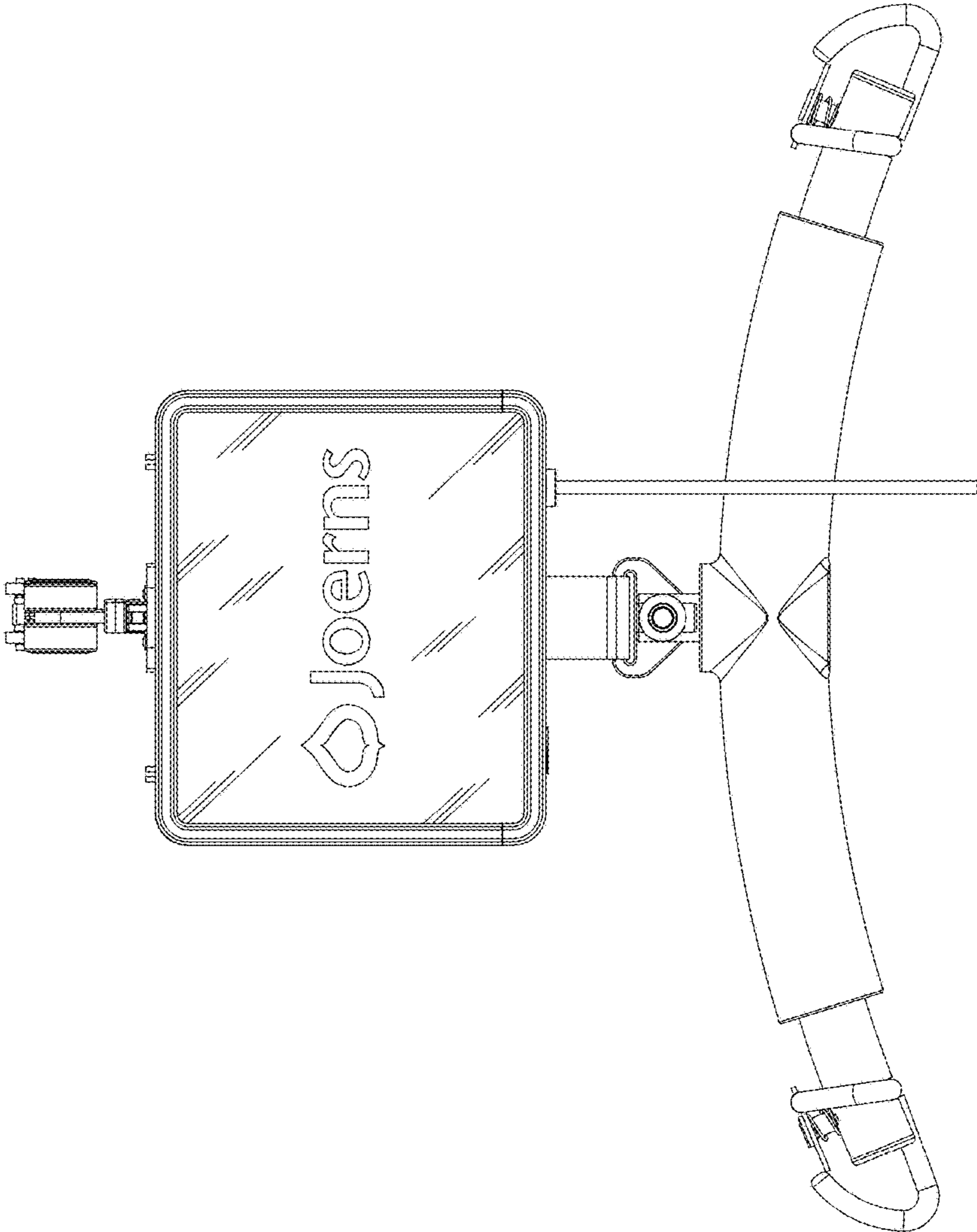


FIGURE 1

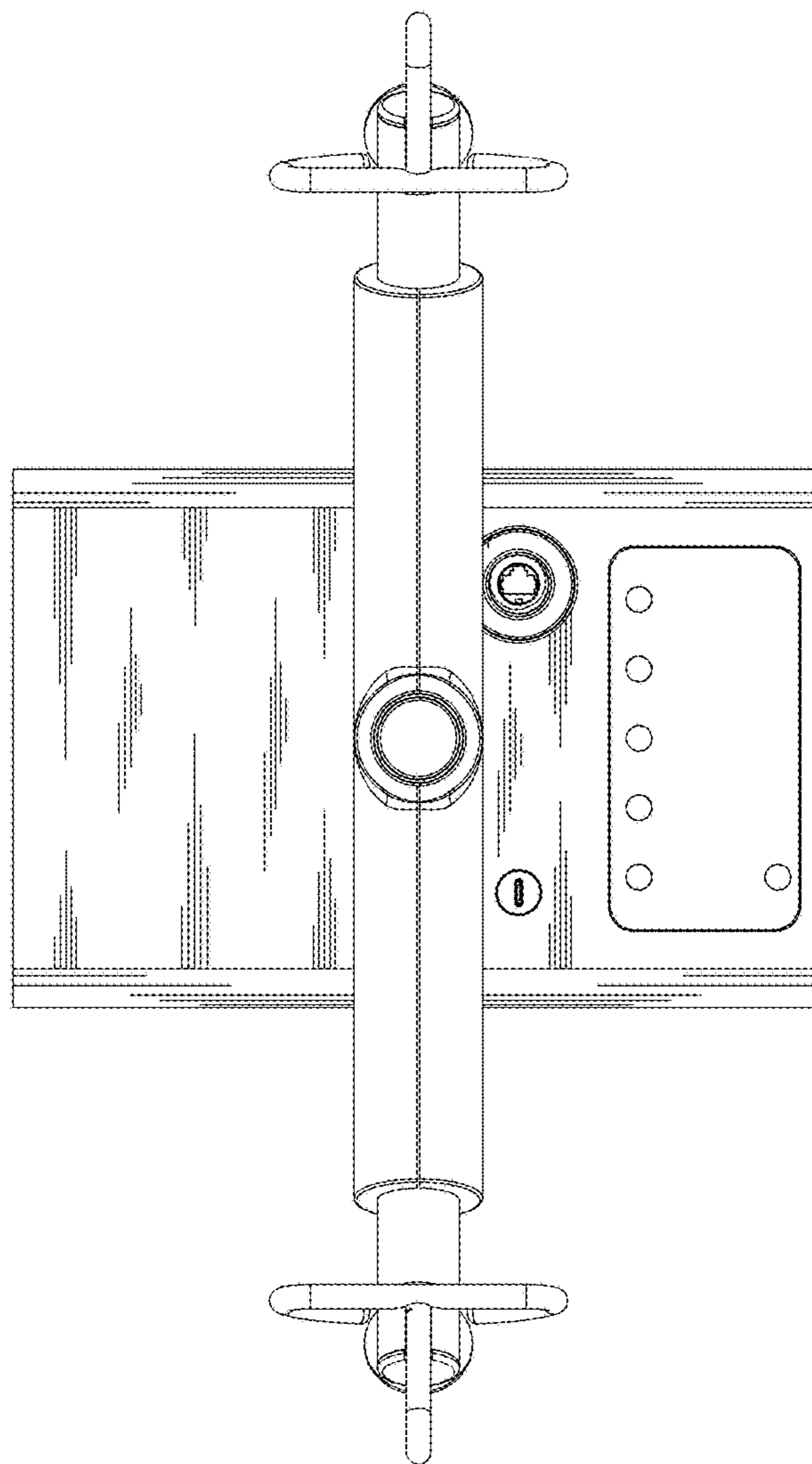


FIGURE 2

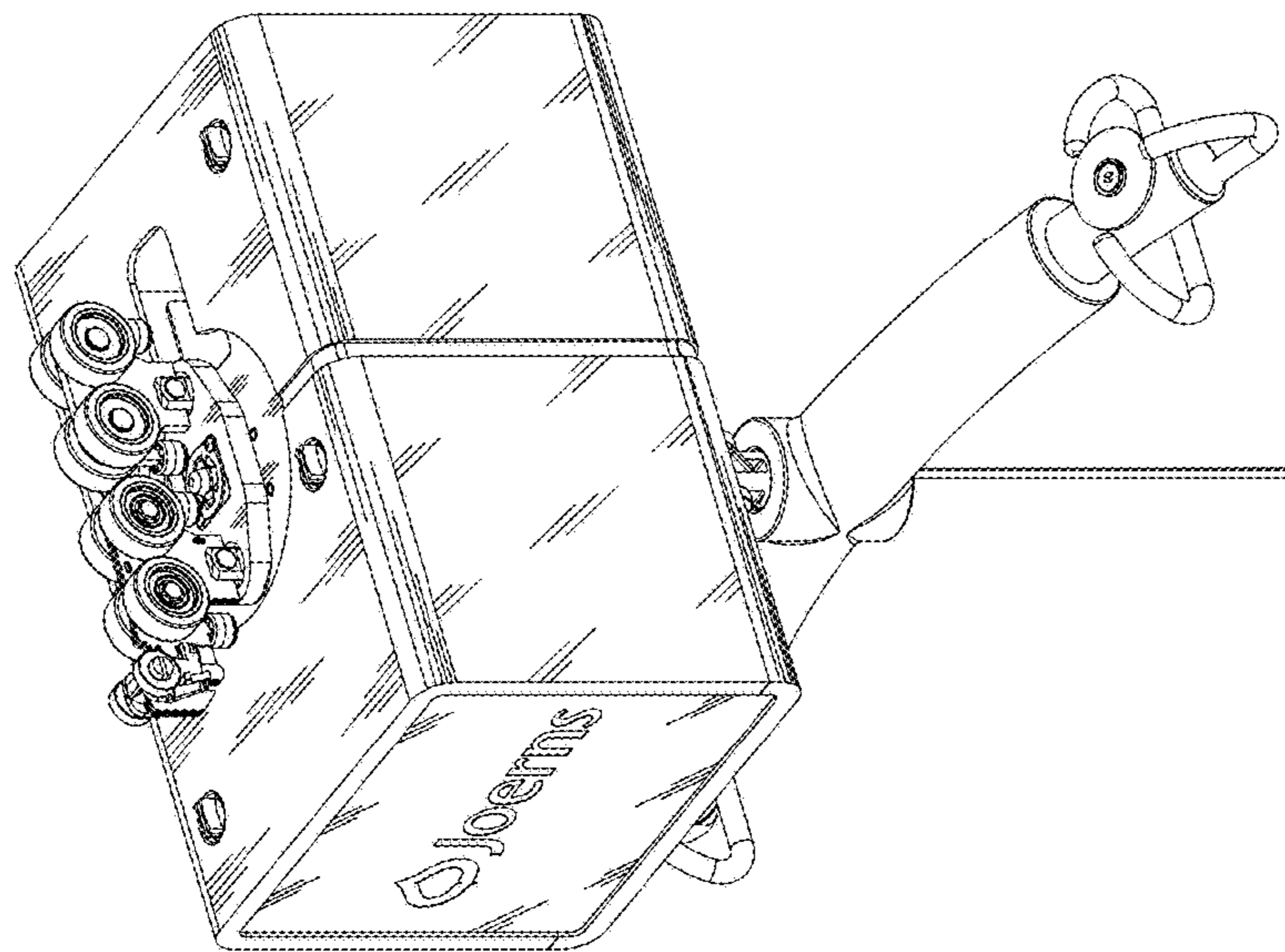


FIGURE 3

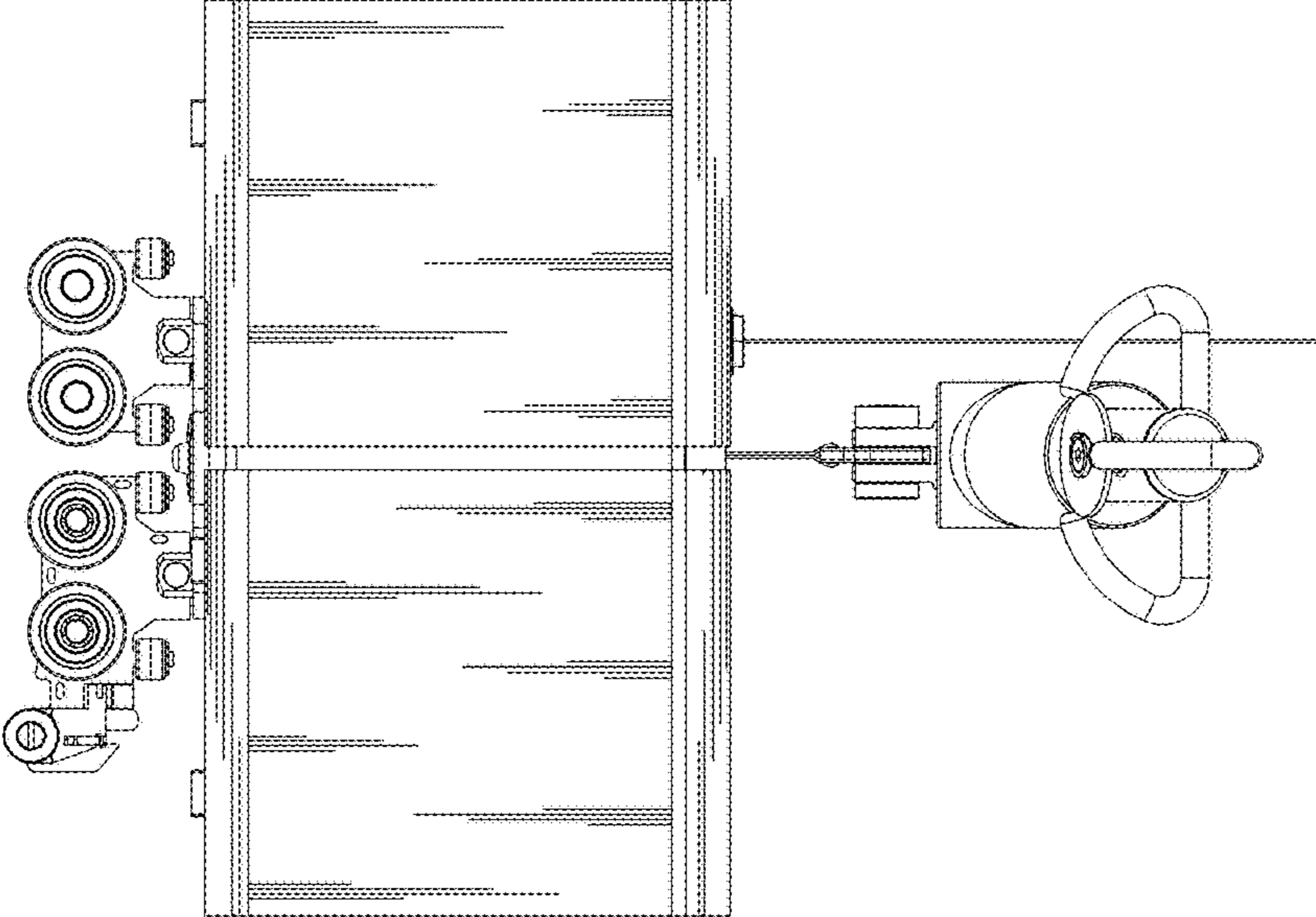


FIGURE 4

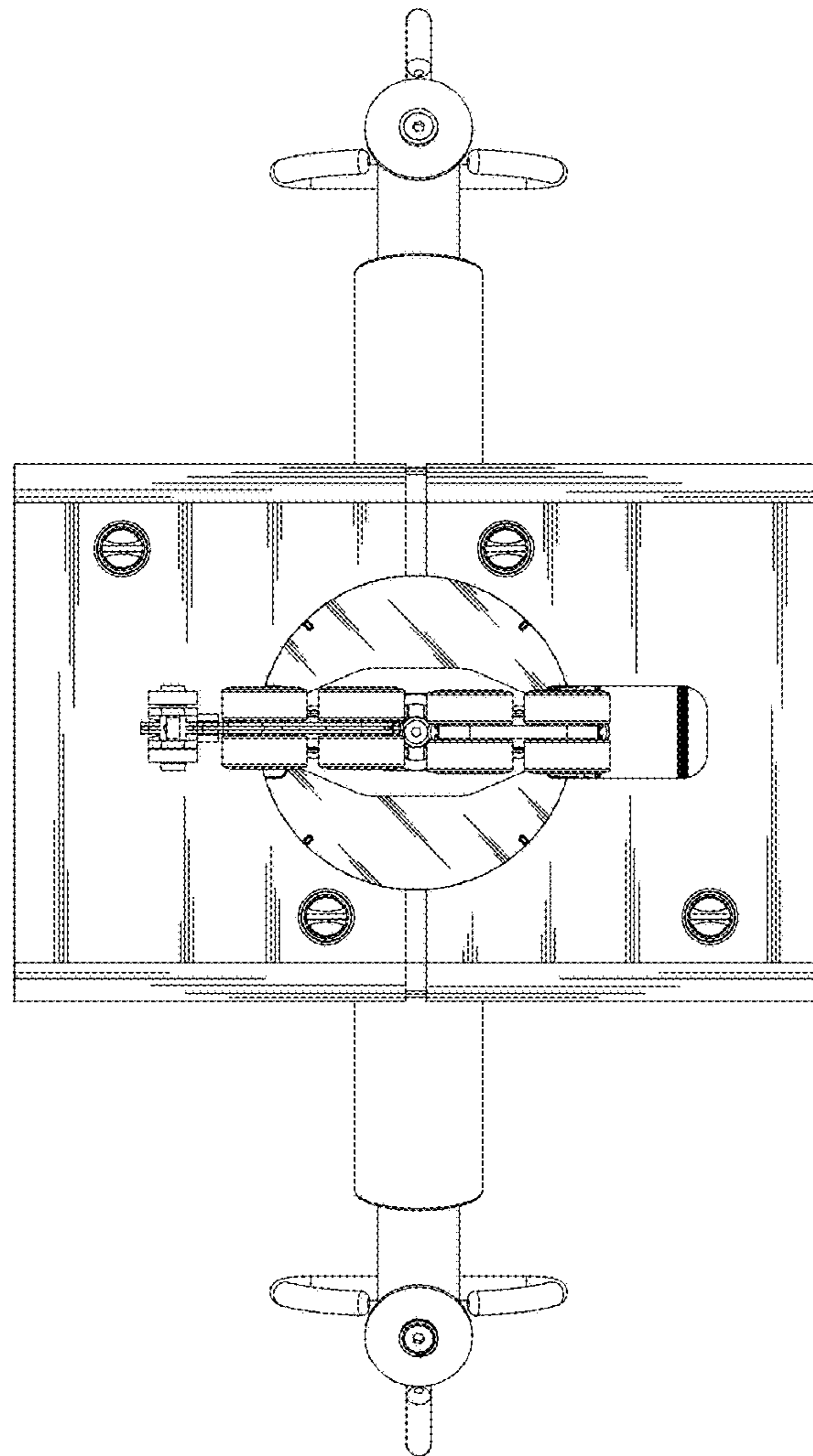


FIGURE 5

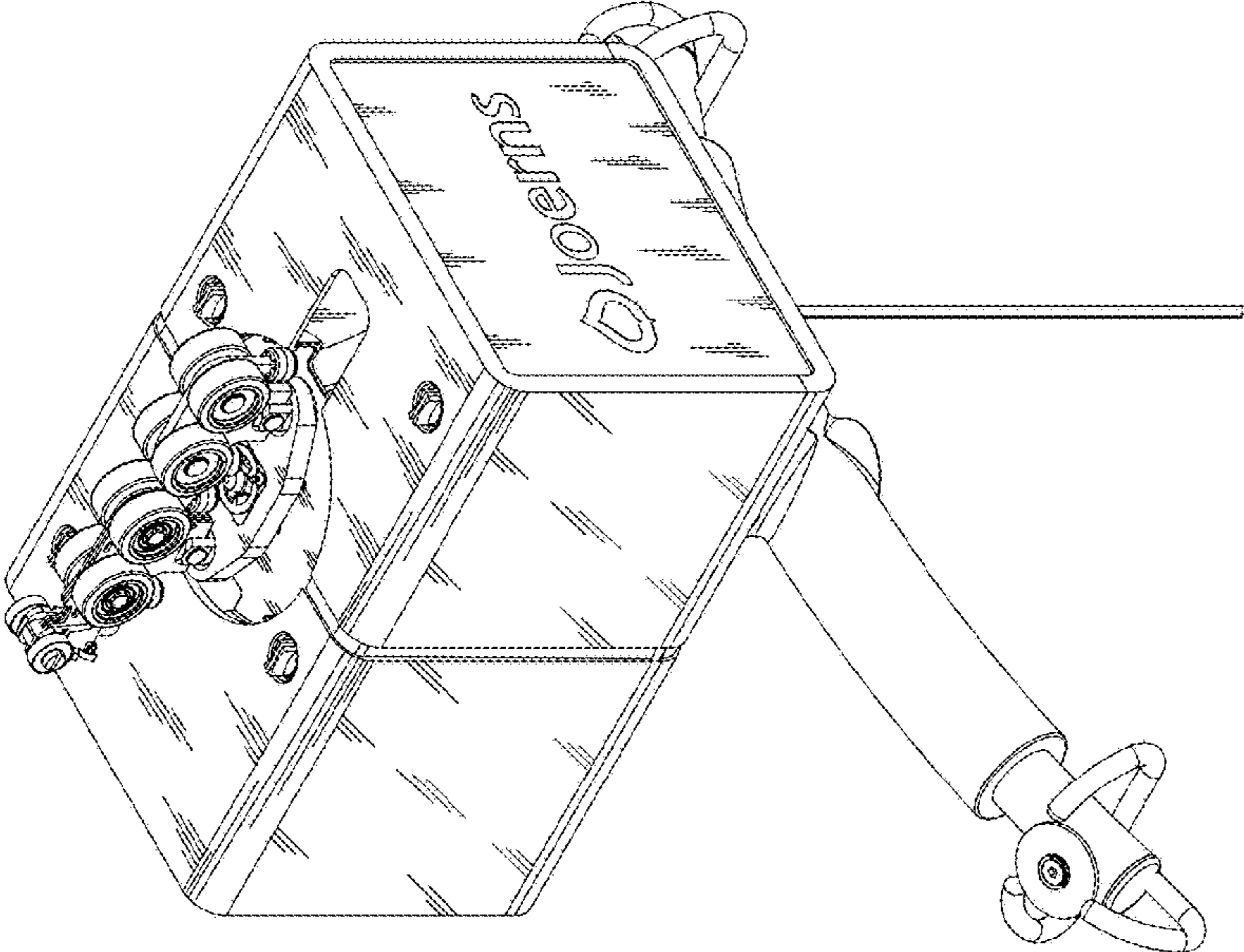


FIGURE 6



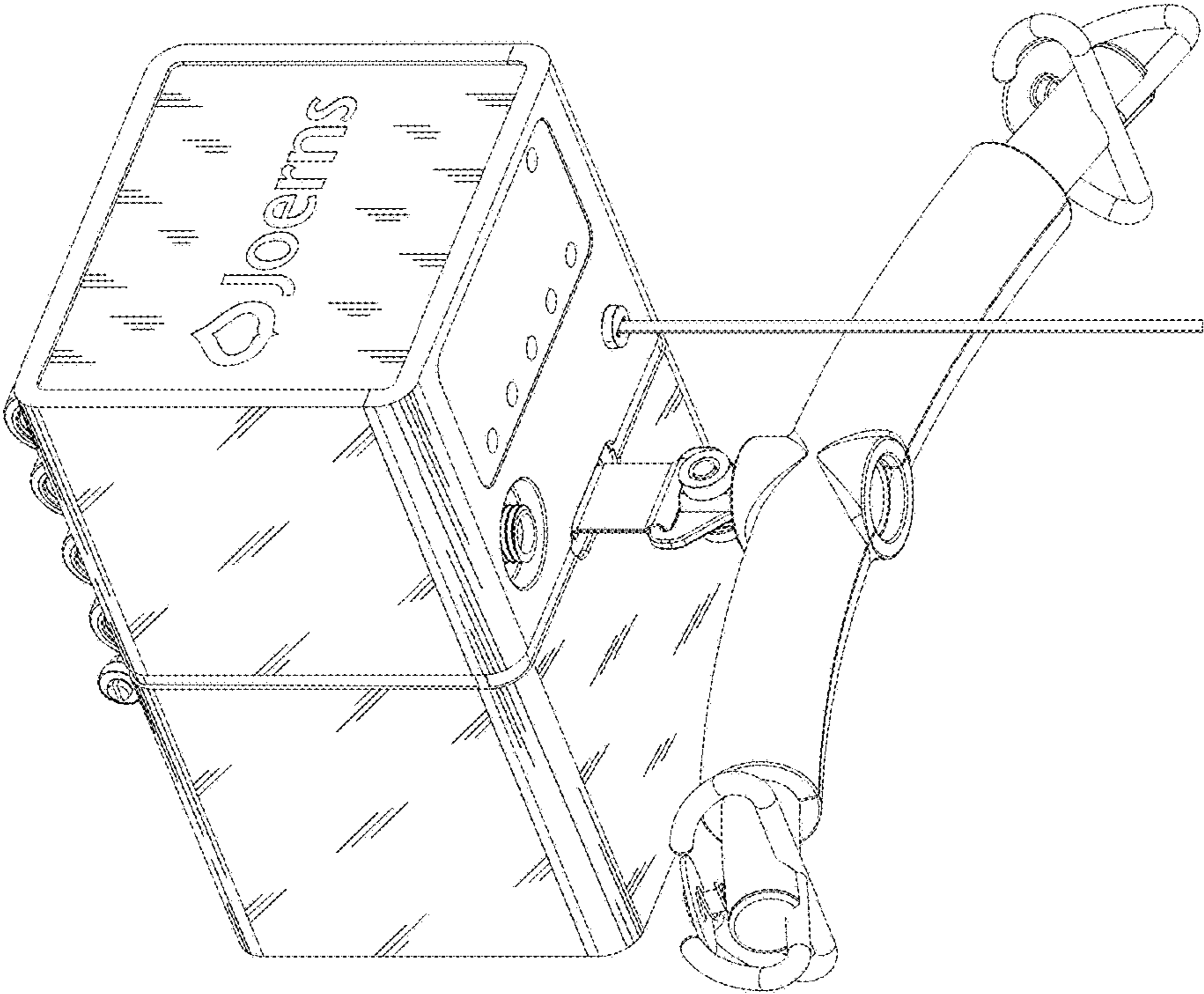


FIGURE 7

UNITED STATES PATENT AND TRADEMARK OFFICE  
**CERTIFICATE OF CORRECTION**

PATENT NO. : D854,275 S  
APPLICATION NO. : 29/580816  
DATED : July 16, 2019  
INVENTOR(S) : Christopher Steven Westwood et al.

Page 1 of 1

It is certified that error appears in the above-identified patent and that said Letters Patent is hereby corrected as shown below:

On the Title Page

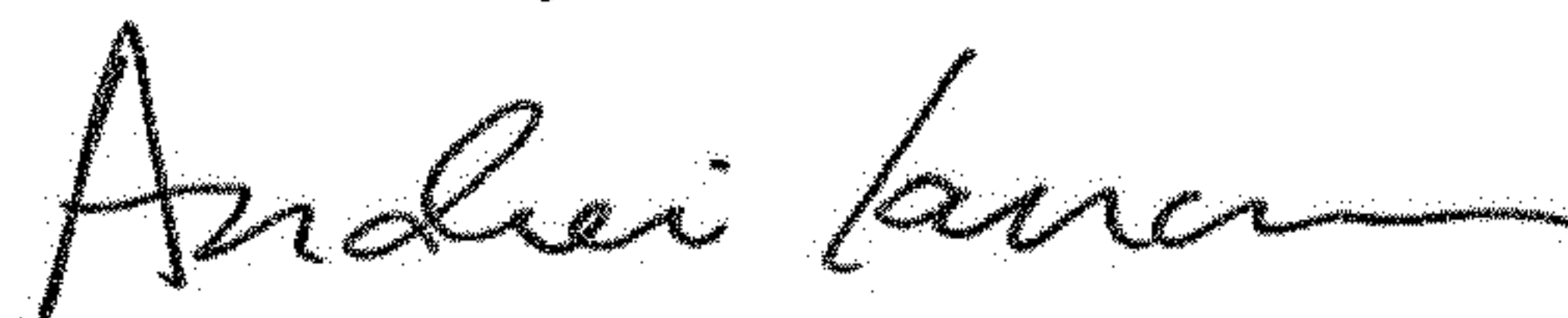
Item (30) should read:

--(30) Foreign Application Priority Data

Apr. 22, 2016 (EM).....003081488-0001

Apr. 22, 2016 (EM).....003081488-0002--

Signed and Sealed this  
Tenth Day of December, 2019



Andrei Iancu  
*Director of the United States Patent and Trademark Office*