



US00D854274S

(12) **United States Design Patent** (10) **Patent No.:** **US D854,274 S**
Intravatola (45) **Date of Patent:** **** Jul. 16, 2019**

(54) **AIR CYLINDER CART FRAME**
(71) Applicant: **AIR SYSTEMS, INC.**, Chesapeake, VA (US)

D174,418 S * 4/1955 Erwing et al. 280/47.24
2,812,382 A 11/1957 Michael
3,436,093 A 4/1969 Ruffley, Jr.
(Continued)

(72) Inventor: **Lawrence Shane Intravatola**, Chesapeake, VA (US)

FOREIGN PATENT DOCUMENTS

EP 0400378 A2 12/1990
FR 2640217 A1 6/1990
(Continued)

(73) Assignee: **Air Systems, Inc.**, Chesapeake, VA (US)

Primary Examiner — Cynthia Ramirez
Assistant Examiner — Gino Colan
(74) *Attorney, Agent, or Firm* — Welsh Flaxman & Gitler LLC

(**) Term: **15 Years**

(21) Appl. No.: **29/614,788**

(57) **CLAIM**

The ornamental design for an air cylinder cart frame, as shown and described.

(22) Filed: **Aug. 23, 2017**

(51) **LOC (11) Cl.** **12-02**

(52) **U.S. Cl.**
USPC **D34/18**

DESCRIPTION

(58) **Field of Classification Search**
USPC D34/12-18, 20-24, 26, 27; 280/47.35, 280/651, 79.3, 47.26, 47.34, 33.997, 280/47.19, 47.27, 47.2, 47.21, 43.24, 280/43.11, 47.24; 266/48; 414/451; 254/10 R
CPC B62B 3/02; B62B 2202/022; B62B 1/264; B62B 1/14; B62B 2203/44; B60B 29/002; B60B 30/10; B25H 5/00
See application file for complete search history.

FIG. 1 is a perspective view of an air cylinder cart frame showing my new design;
FIG. 2 is a front elevation view thereof;
FIG. 3 is a back elevation view thereof;
FIG. 4 is a side elevation view thereof, wherein the opposite side is a mirror image thereof;
FIG. 5 is a top plan view thereof;
FIG. 6 is a bottom view thereof;
FIG. 7 is a perspective view thereof, shown in a first alternate position;
FIG. 8 is a perspective view thereof, shown in a second alternate position;
FIG. 9 is a perspective view thereof, shown in a third alternate position;
FIG. 10 is a perspective view thereof, shown in a fourth alternate position; and,
FIG. 11 is a perspective view thereof, shown in a fifth alternate position.

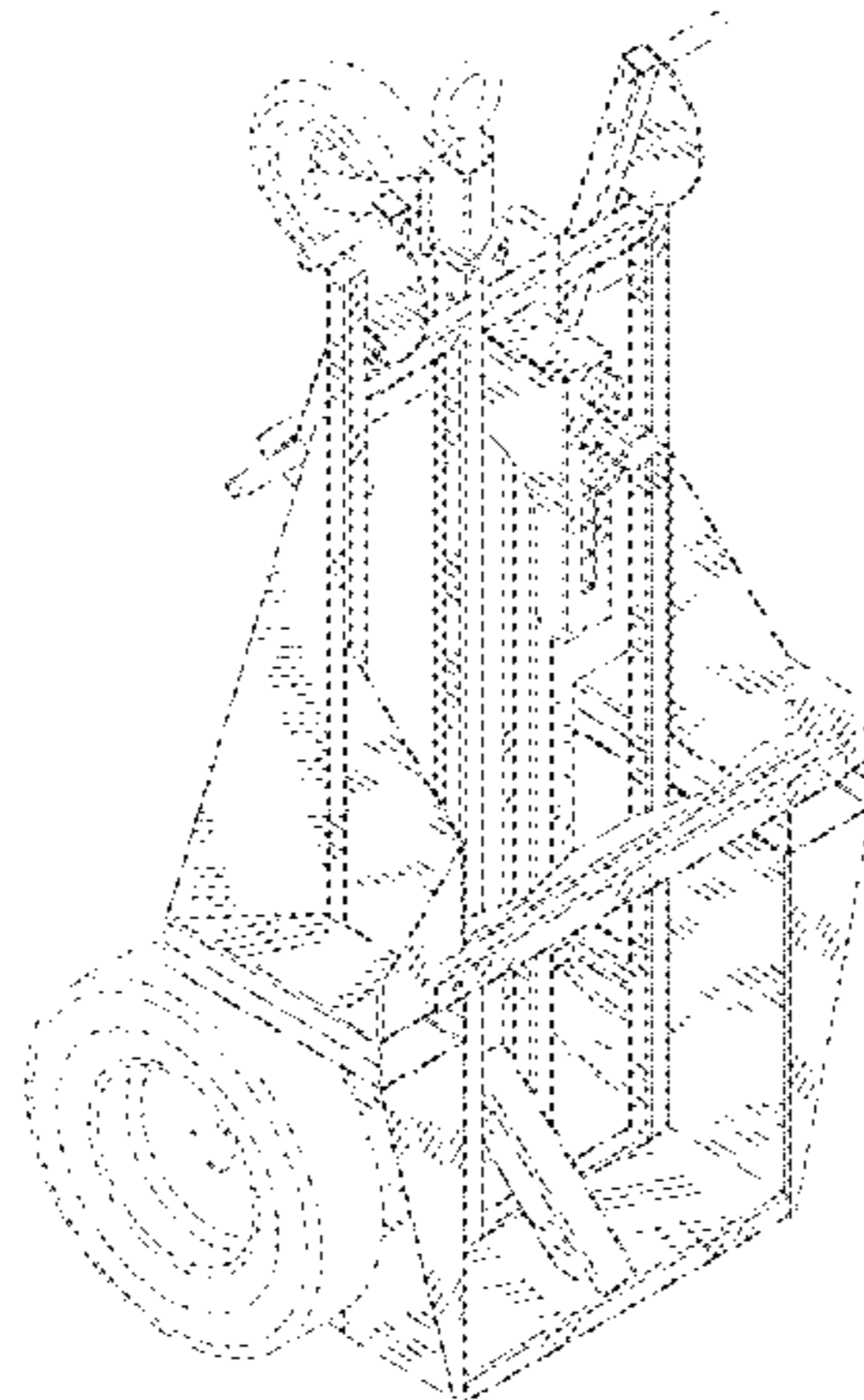
(56) **References Cited**

U.S. PATENT DOCUMENTS

2,313,868 A * 3/1943 Garlinghouse B62B 1/10 280/47.19
2,381,858 A 8/1945 Austin
2,500,989 A 3/1950 Hartley et al.
D163,327 S 5/1951 Rose
2,612,386 A * 9/1952 Schutzer B62B 1/002 280/43.24
2,667,397 A 1/1954 Hallsey

The broken lines of the air cylinder cart frame are for the purpose of illustrating portions of the article and form no part of the claimed design.

1 Claim, 11 Drawing Sheets



(56)

References Cited

U.S. PATENT DOCUMENTS

3,506,280 A * 4/1970 Coupe A47C 15/004
280/47.19

3,791,403 A 2/1974 Folkerth

3,856,230 A 12/1974 Zimmer

4,098,416 A 7/1978 Fawley

4,205,937 A 6/1980 Fawley

4,253,716 A 3/1981 Turner, Jr.

4,432,470 A 2/1984 Sopha

4,457,527 A 7/1984 Lowery

4,536,123 A * 8/1985 Snyder B62B 1/264
254/10 R

4,625,949 A 12/1986 Walker

4,753,445 A 6/1988 Ferrare

4,865,339 A * 9/1989 Rundborg B62B 5/0003
280/47.21

5,071,148 A 12/1991 Salvucci, Sr.

5,167,351 A 12/1992 Prout et al.

5,307,839 A 5/1994 Loebker et al.

5,340,136 A 8/1994 MacNeil et al.

5,393,080 A 2/1995 Ross

5,396,885 A 3/1995 Nelson

5,427,493 A * 6/1995 Lucy B62B 1/14
414/451

5,431,422 A 7/1995 Gamache

5,465,987 A 11/1995 DellaVecchia

5,570,895 A 11/1996 McCue et al.

D392,081 S 3/1998 Salvucci, Sr.

5,799,958 A 9/1998 Bishop

6,019,381 A 2/2000 Krawczyk

D423,173 S 4/2000 Horner et al.

6,047,983 A 4/2000 Day, III

6,224,071 B1 * 5/2001 Dummer B62B 3/104
280/47.2

D443,744 S 6/2001 Intravatola

D463,650 S * 9/2002 Intravatola D34/24

6,554,300 B1 * 4/2003 Ziolkowski B62B 1/264
280/47.27

6,733,017 B2 5/2004 Intravatola

7,419,169 B2 9/2008 Intravatola

7,628,407 B1 * 12/2009 Krowl B62B 1/12
266/48

8,967,634 B2 * 3/2015 Barnes B62B 1/142
280/43.11

9,266,545 B2 * 2/2016 Robinson B62B 1/26

9,388,029 B2 * 7/2016 Ziaylek B65G 7/00

FOREIGN PATENT DOCUMENTS

JP H05139316 A 6/1993

WO WO 9322176 A1 11/1993

* cited by examiner

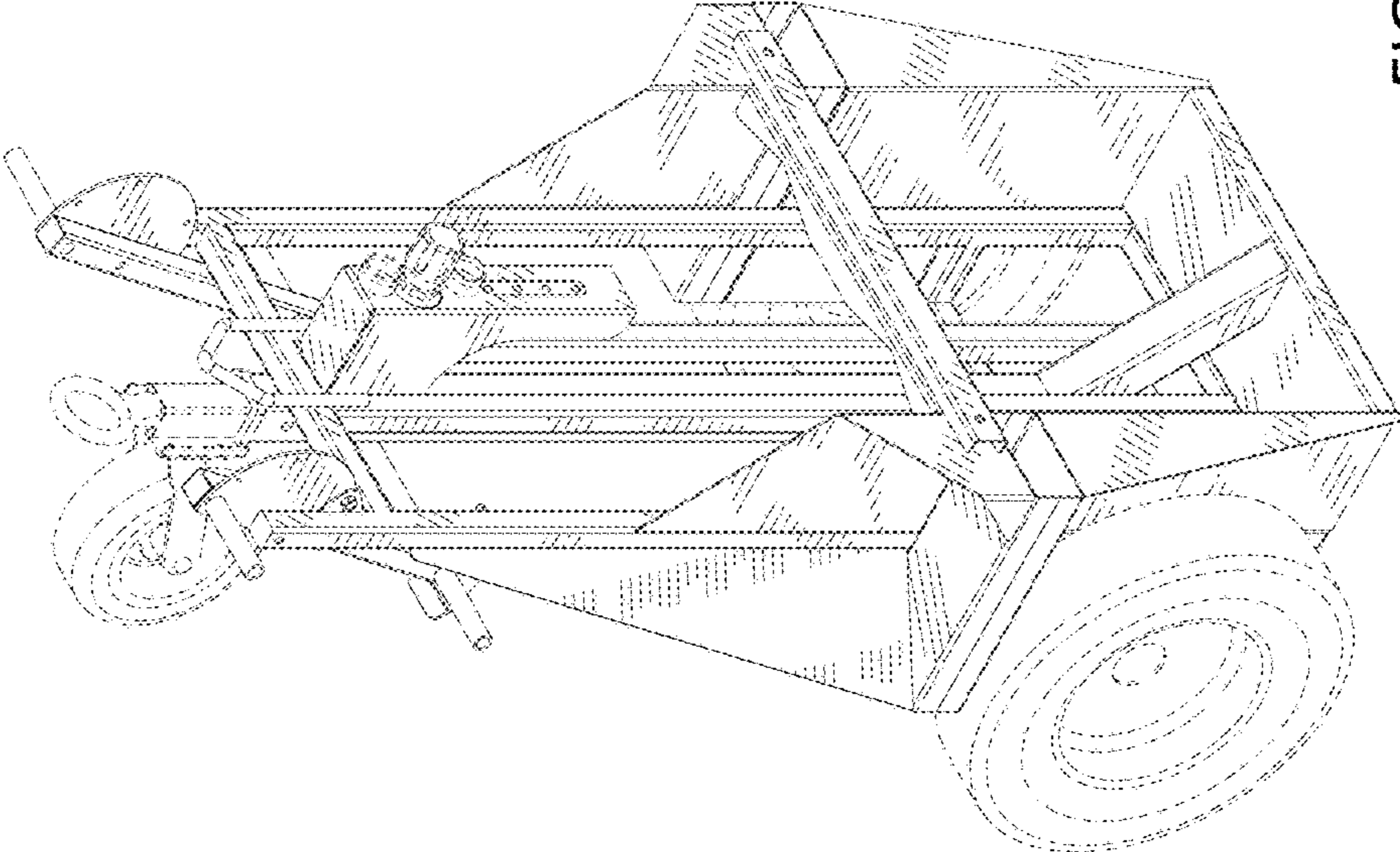


FIG. 1

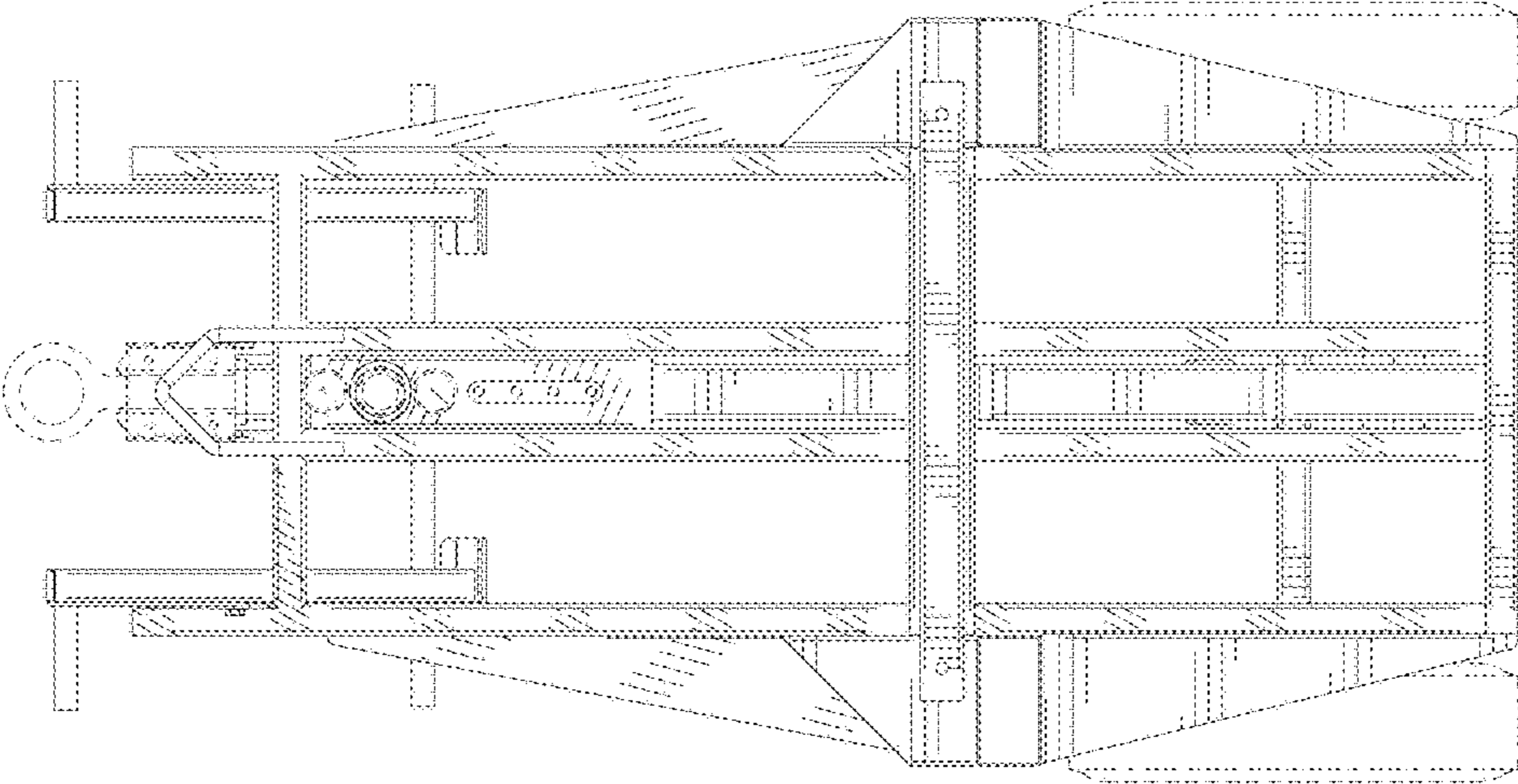


FIG. 2

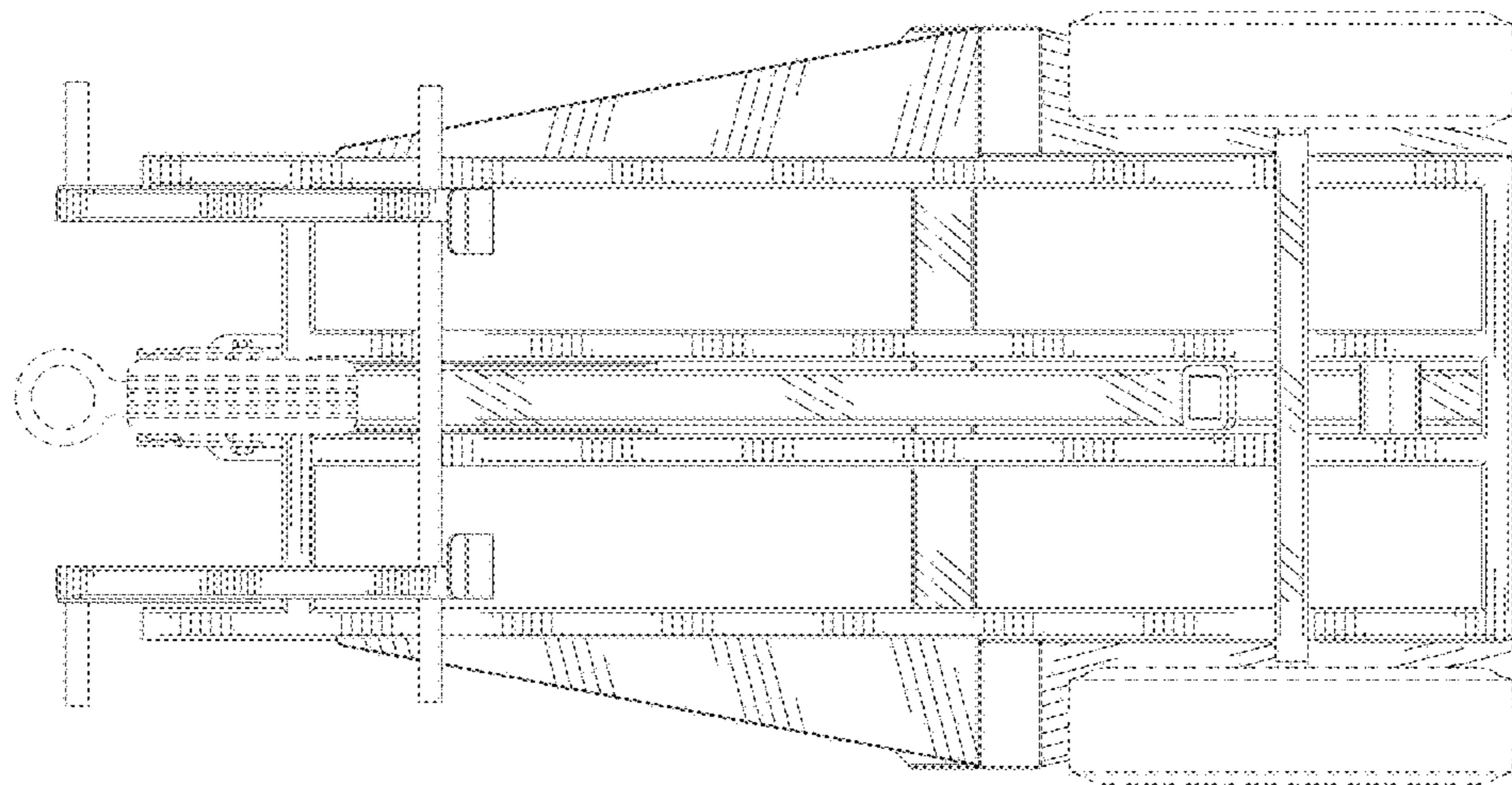


FIG. 3

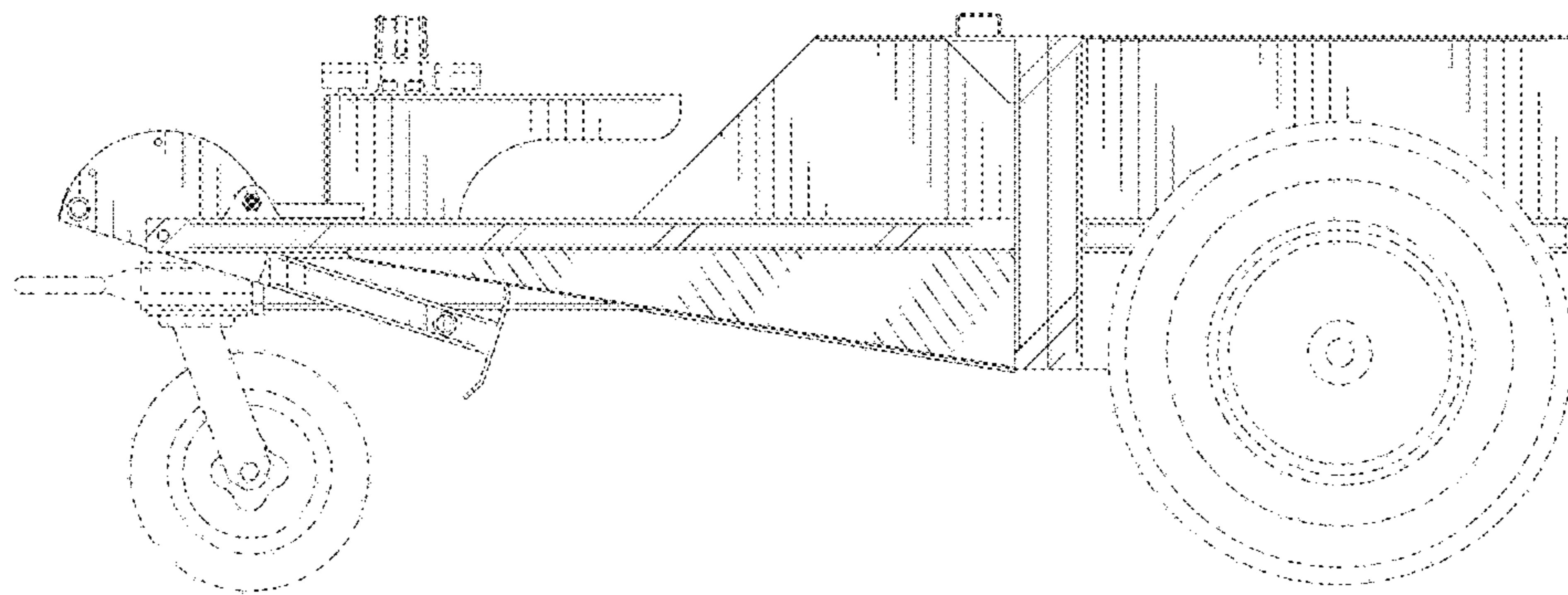


FIG. 4

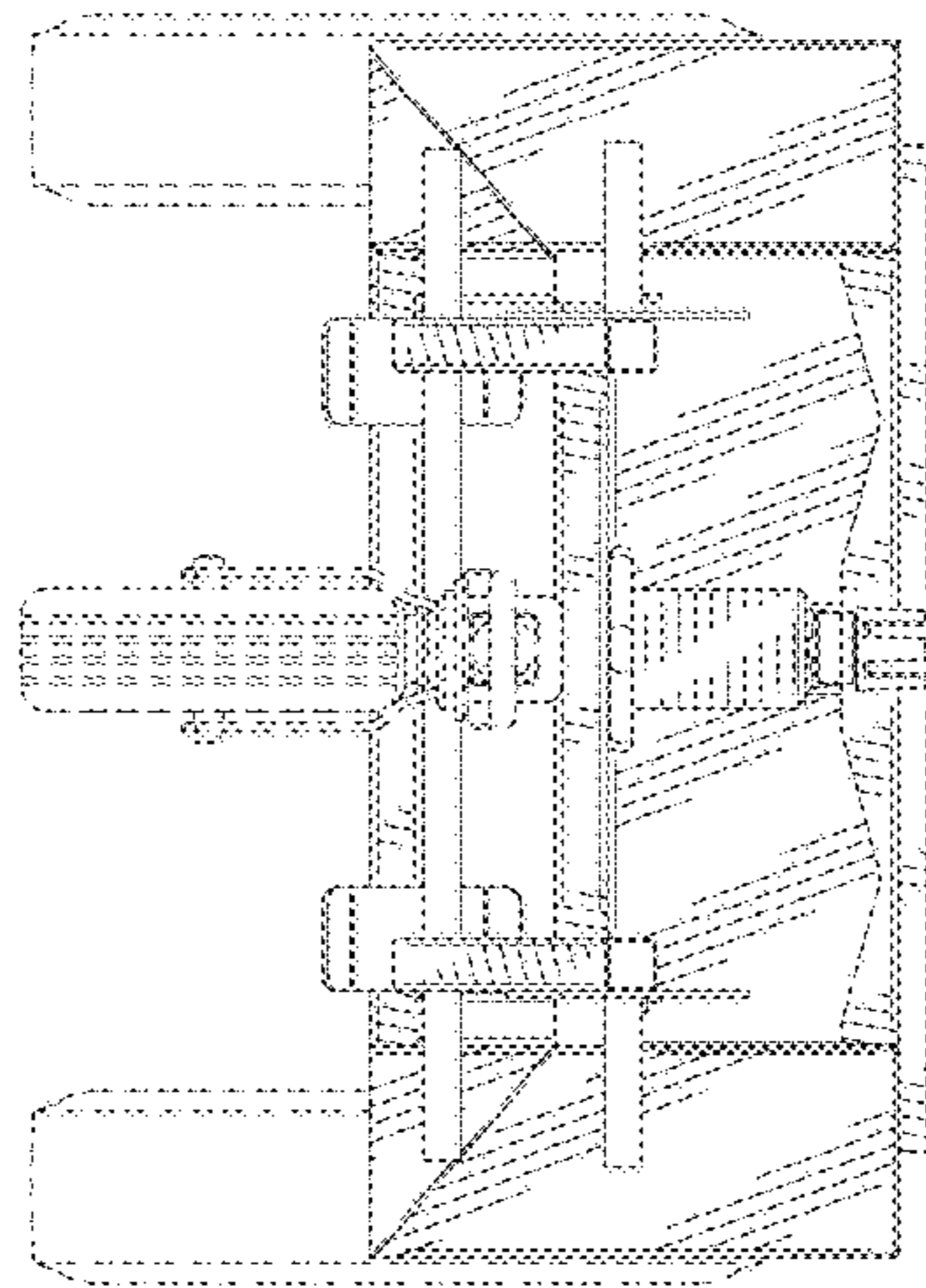


FIG. 5

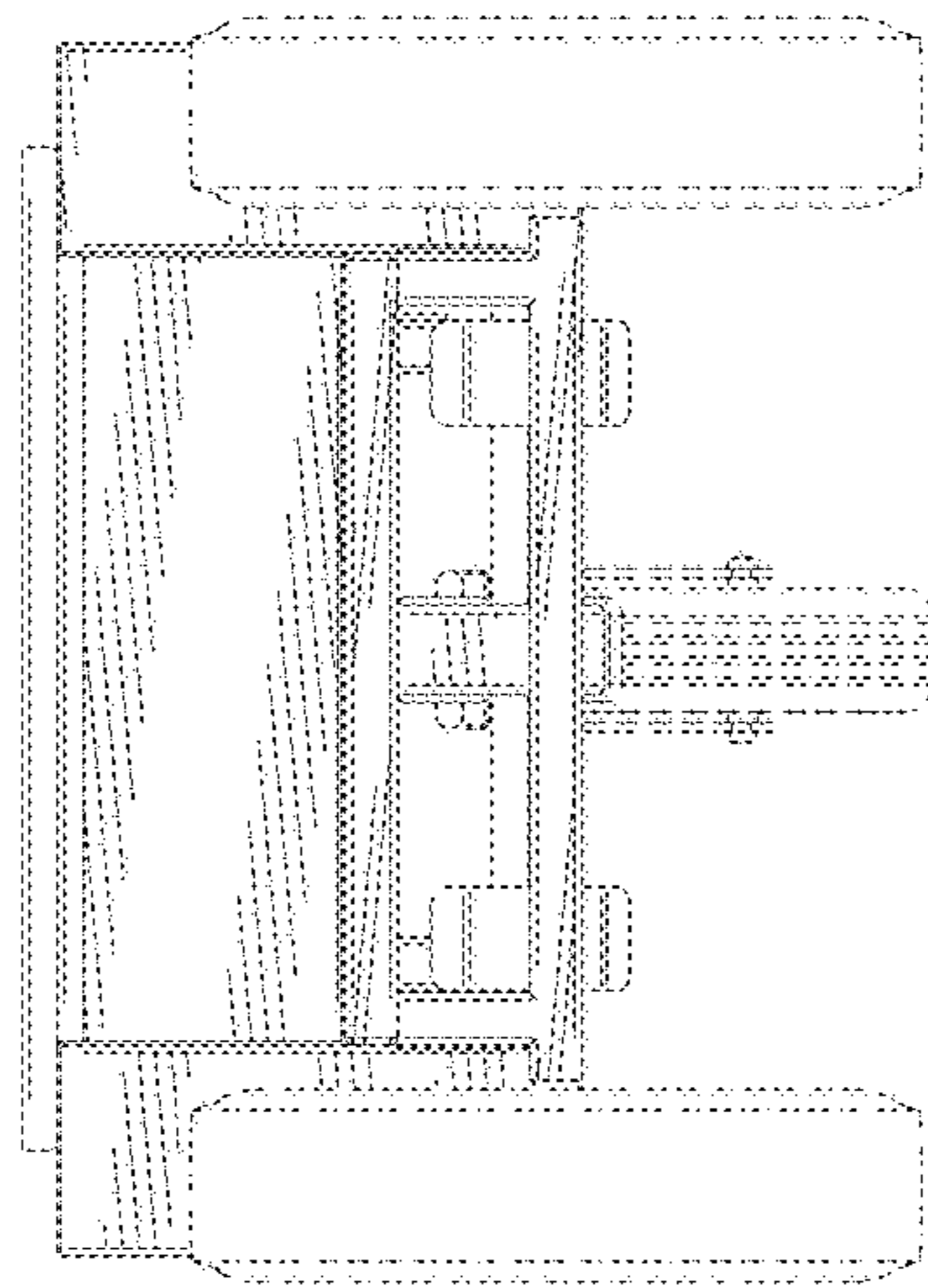


FIG. 6

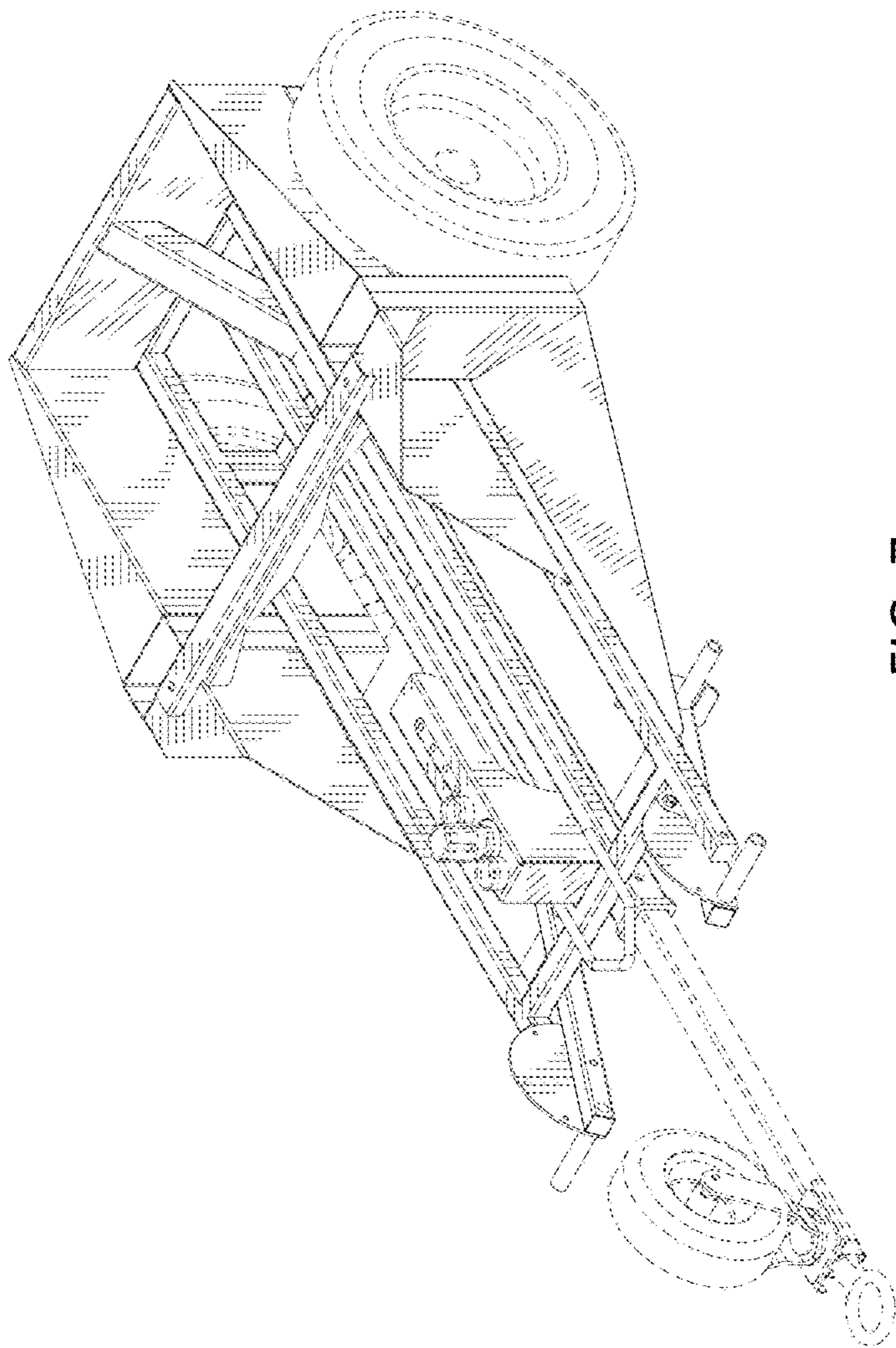


FIG. 7

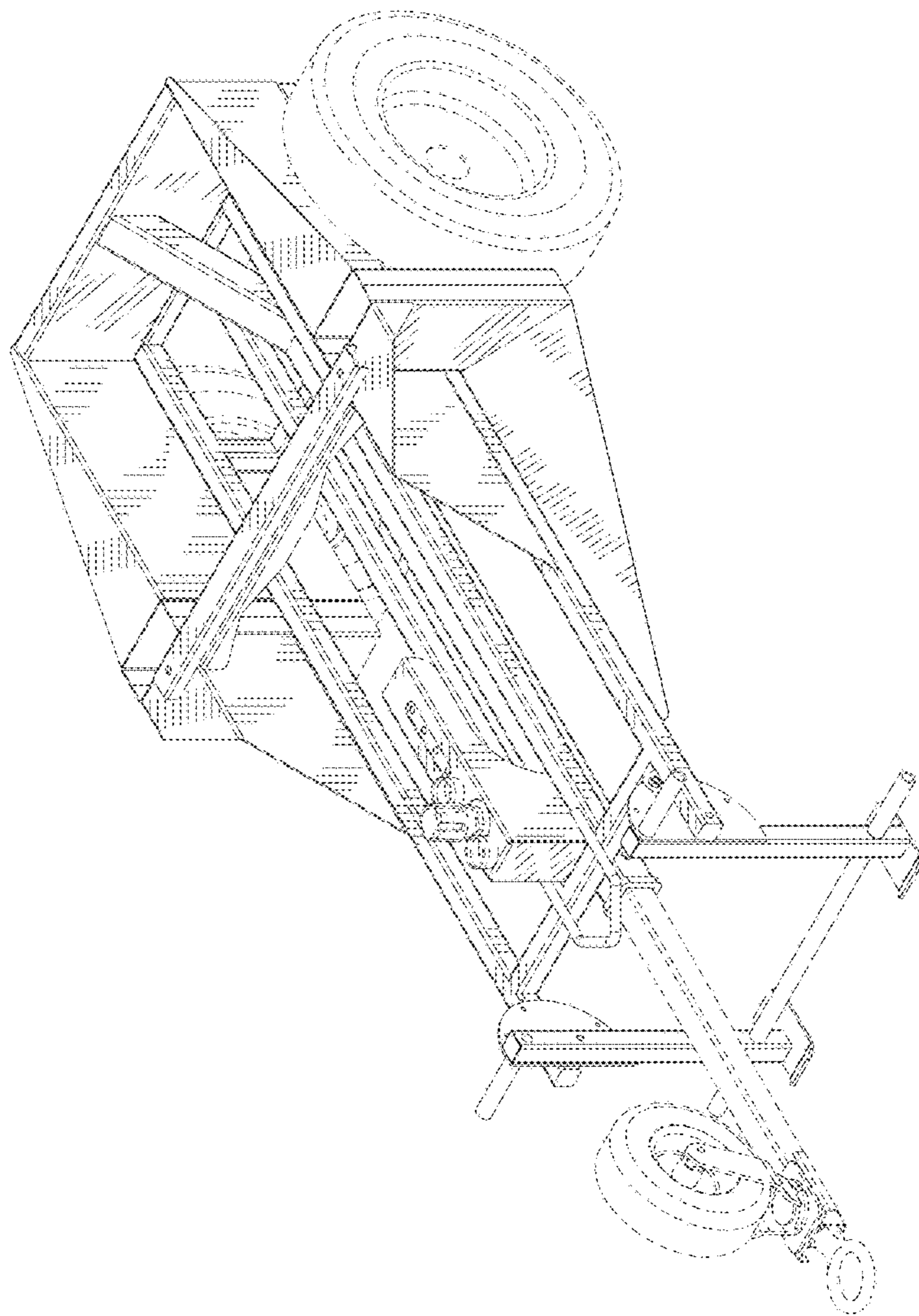


FIG. 8

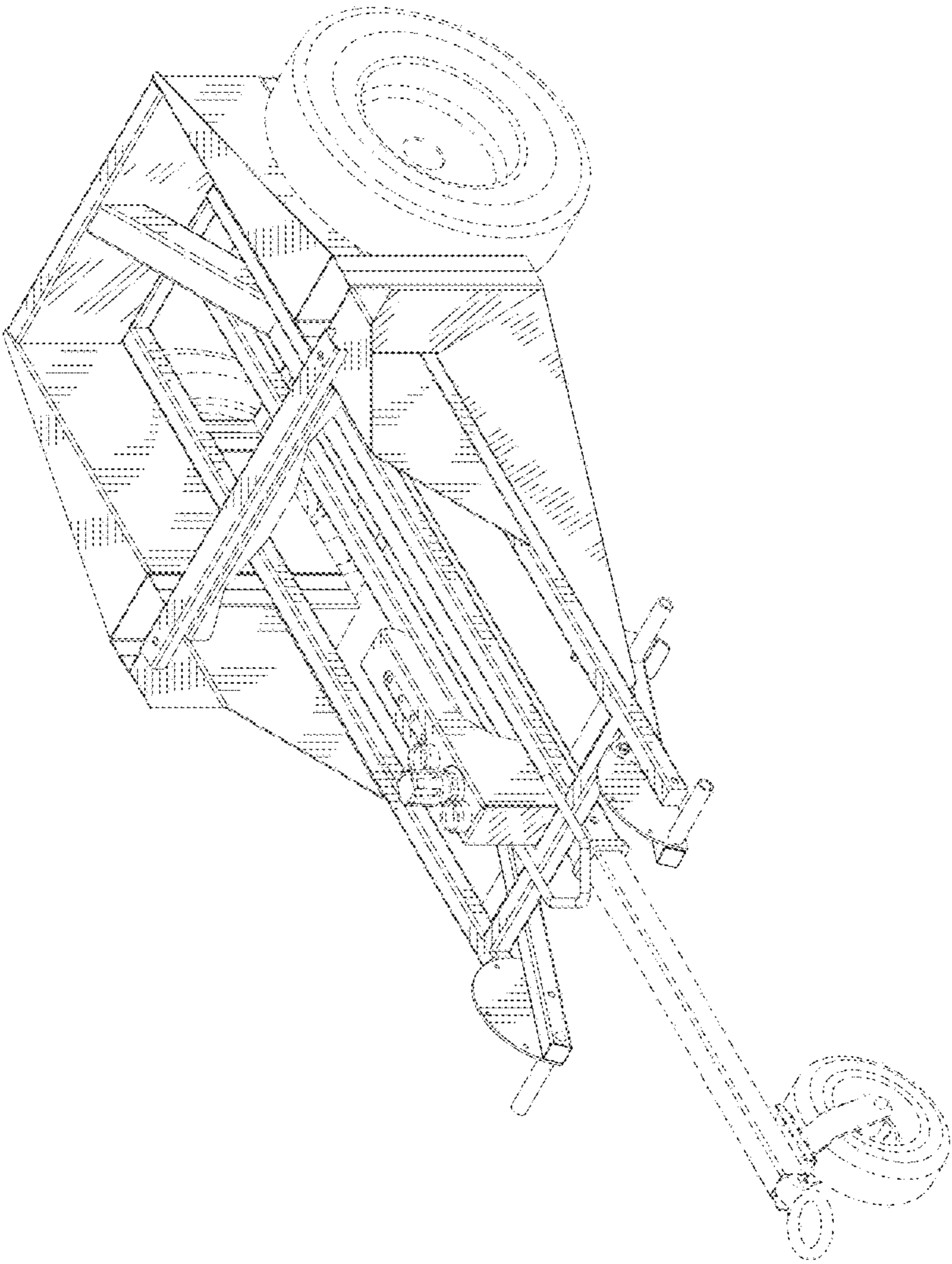


FIG. 9

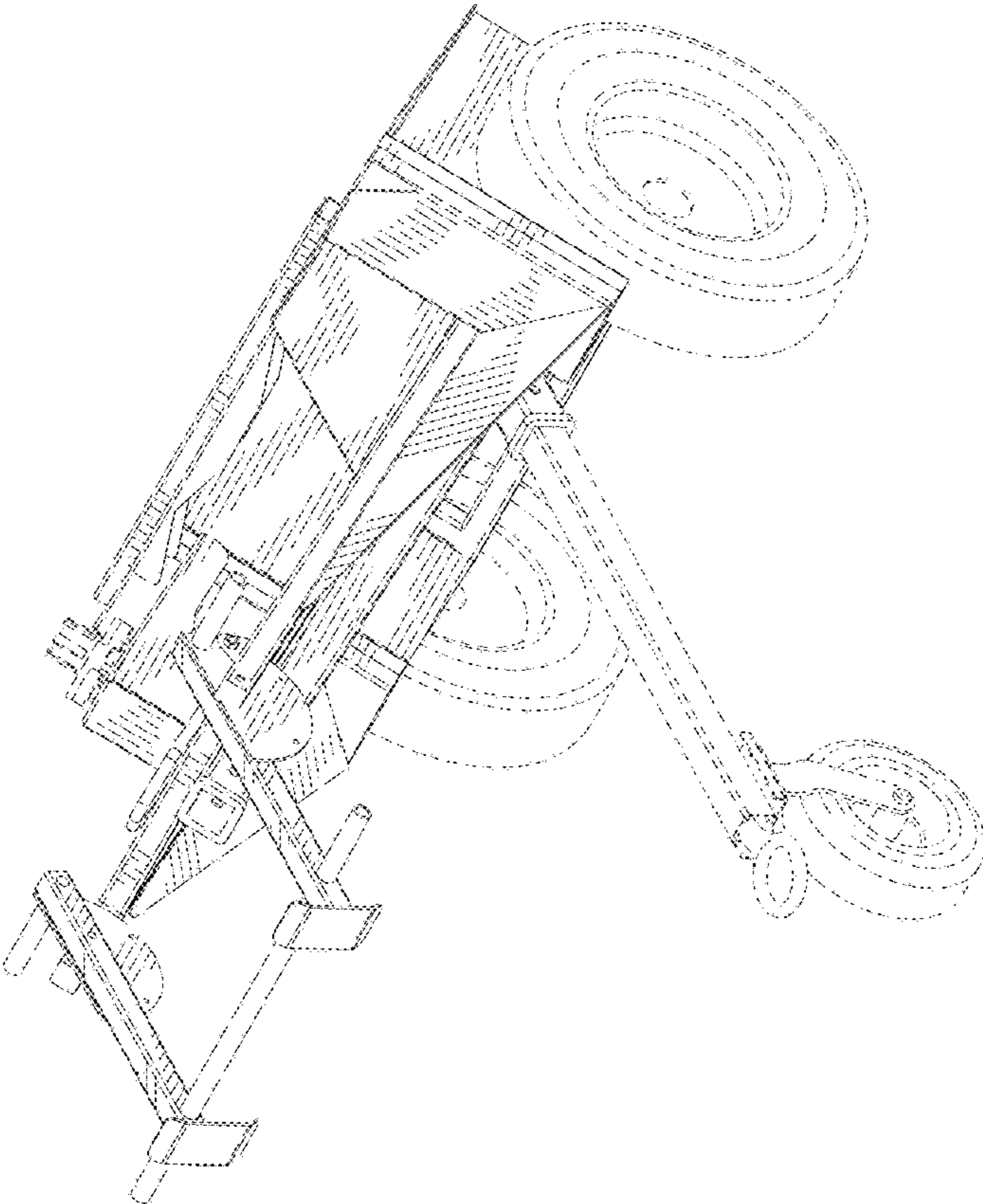


FIG. 10

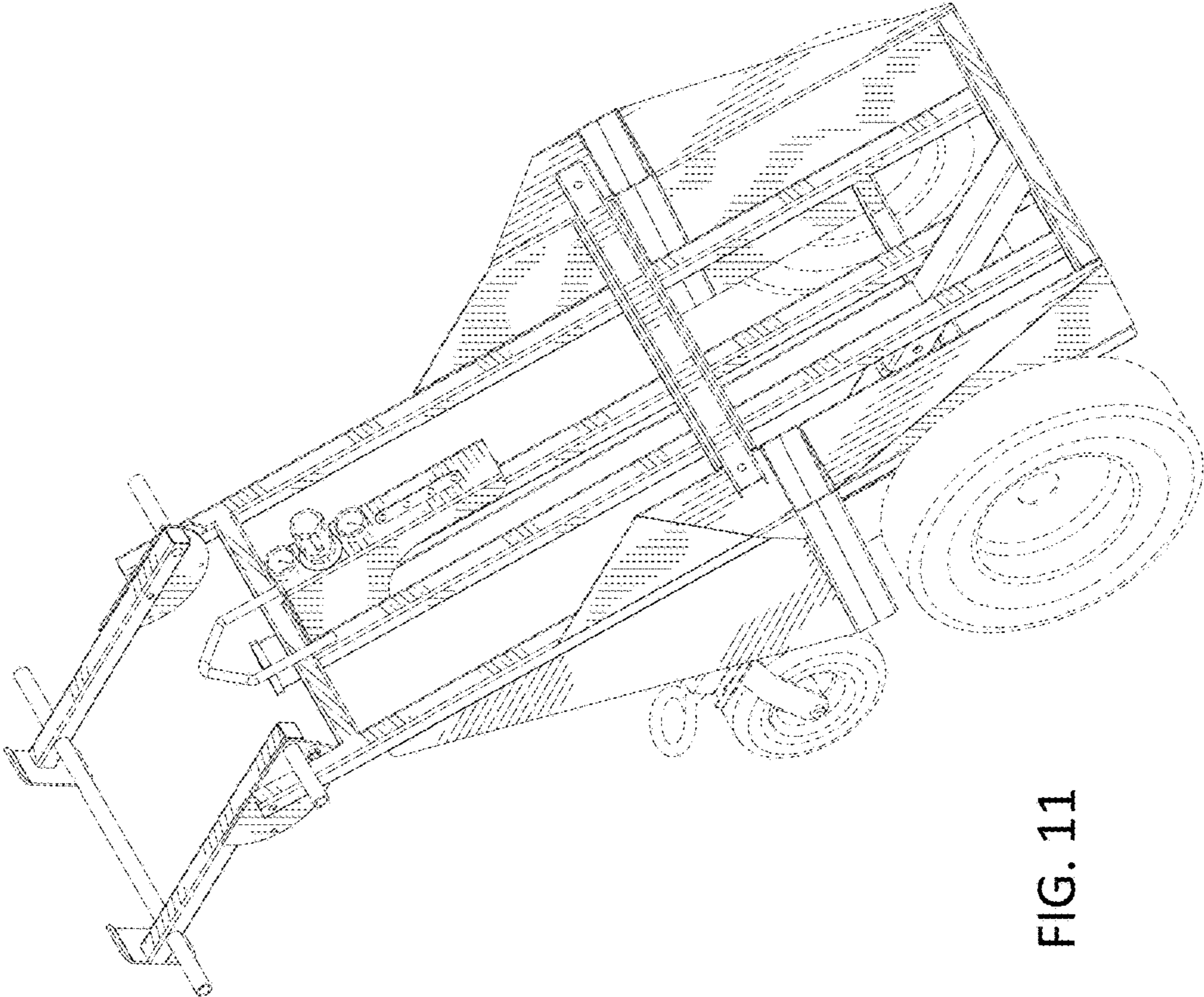


FIG. 11