



US00D854273S

(12) **United States Design Patent**  
**Weldon**

(10) **Patent No.:** **US D854,273 S**  
(45) **Date of Patent:** **\*\* Jul. 16, 2019**

- (54) **WHEELED BAG HOLDER**
- (71) Applicant: **Peter Marvin Weldon**, Bartow, FL  
(US)
- (72) Inventor: **Peter Marvin Weldon**, Bartow, FL  
(US)
- (\*\*) Term: **15 Years**
- (21) Appl. No.: **29/609,981**
- (22) Filed: **Jul. 7, 2017**
- (51) **LOC (11) Cl.** ..... **09-09**
- (52) **U.S. Cl.**  
USPC ..... **D34/5**
- (58) **Field of Classification Search**  
USPC ..... 220/211, 212, 252, 262, 263, 4.04, 484,  
220/495.08, 569, 62.13, 703, 737, 748,  
220/908.1, 908.2, 908, 909; 248/97, 99,  
248/100, 101; D23/202, 203, 207;  
D34/1, 2, 3, 4, 5, 6, 7, 8; D9/737, 738,  
D9/770, 778  
CPC .. B65F 1/004; B65F 1/1473; B65F 2240/138;  
B62B 2202/20  
See application file for complete search history.

- 4,487,388 A \* 12/1984 Provan ..... B65B 67/1227  
211/50
- 4,705,246 A \* 11/1987 Wolf ..... B65B 67/12  
141/390
- 4,749,158 A \* 6/1988 Buckley ..... B62B 1/12  
248/129
- 4,940,201 A \* 7/1990 Kurth ..... B65B 67/12  
248/101
- D319,124 S \* 8/1991 Harjung ..... D34/5
- D326,752 S \* 6/1992 Griggs ..... D34/24
- D332,161 S \* 12/1992 Wenzel ..... D34/5
- D332,333 S \* 1/1993 Wenzel ..... D34/5
- 5,213,291 A \* 5/1993 Wiebe ..... B65B 67/1227  
248/97
- D341,688 S \* 11/1993 Binkley ..... D34/5
- D345,241 S \* 3/1994 Bunn ..... D34/5
- D345,242 S \* 3/1994 Bunn ..... D34/5
- 5,360,189 A \* 11/1994 Hart ..... B65B 67/1211  
248/150
- D372,287 S \* 7/1996 Sofie ..... D21/789
- D418,653 S \* 1/2000 Kent, Jr. .... D34/6
- D424,265 S \* 5/2000 Rosky ..... D34/6
- D428,544 S \* 7/2000 Moffitt ..... D34/5

(Continued)

*Primary Examiner* — Cynthia Ramirez  
*Assistant Examiner* — Michael A Maharajh  
(74) *Attorney, Agent, or Firm* — Cygnet IP Law, P.A.;  
Stephen W. Aycock, II

(56) **References Cited**

U.S. PATENT DOCUMENTS

- 3,374,976 A \* 3/1968 Kurlander ..... B65B 67/1244  
248/101
- D223,682 S \* 5/1972 Wenzel ..... D34/6
- 3,796,402 A \* 3/1974 Trotta ..... B65B 67/12  
248/97
- 3,861,125 A \* 1/1975 Hagemeister ..... B65B 67/1266  
248/99
- 3,893,648 A \* 7/1975 Gilbert ..... B65B 67/1255  
248/150
- 4,180,113 A \* 12/1979 Liebling ..... D06F 95/004  
220/9.1

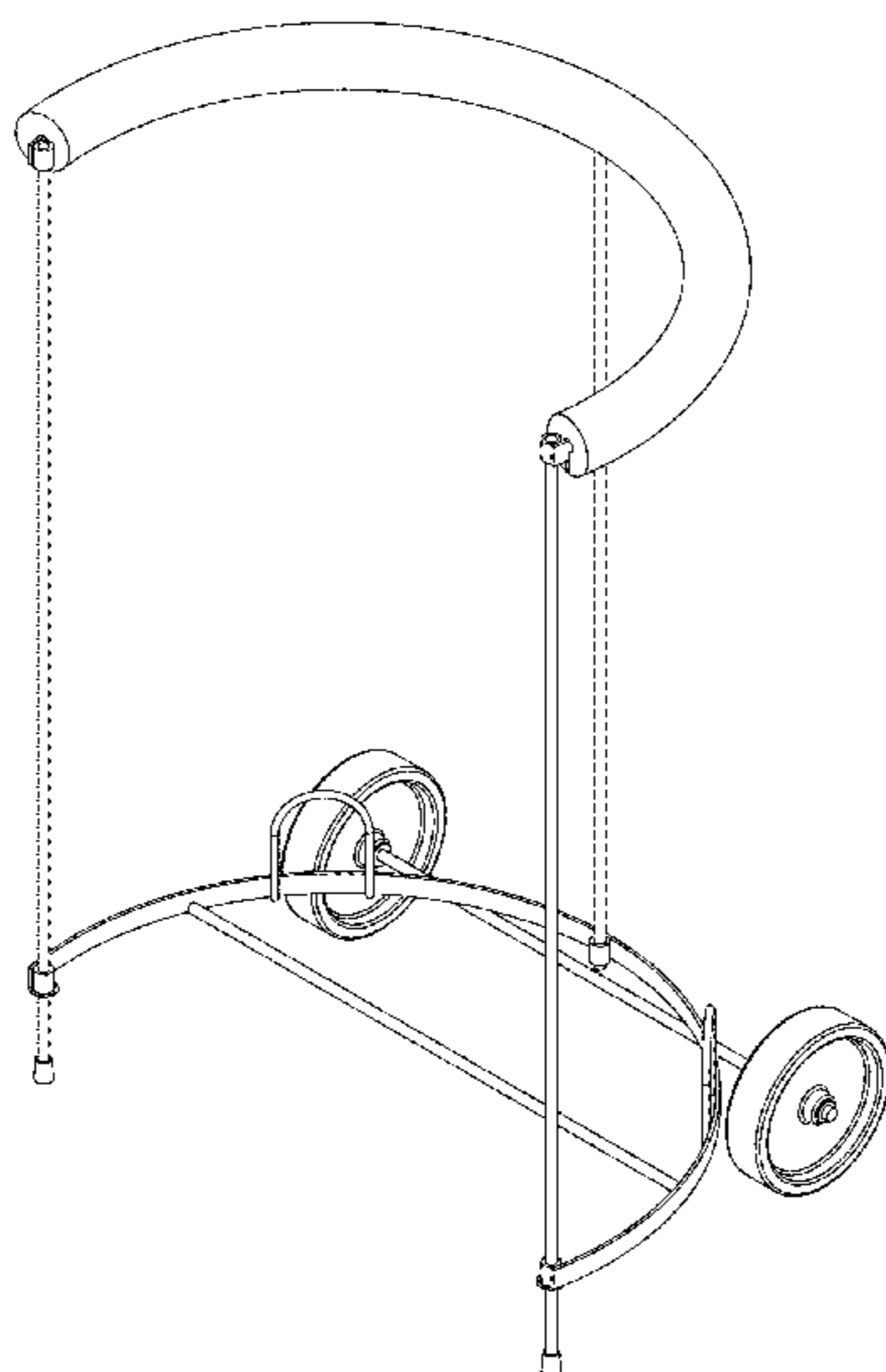
(57) **CLAIM**

The ornamental design for a wheeled bag holder, as shown and described.

**DESCRIPTION**

FIG. 1 is a left, front perspective view of a wheeled bag holder showing my new design;  
FIG. 2 is a front elevation view thereof;  
FIG. 3 is a top elevation view thereof;  
FIG. 4 is a bottom elevation view thereof;  
FIG. 5 is a right side elevation view thereof; and,  
FIG. 6 is a rear elevation view thereof.

**1 Claim, 6 Drawing Sheets**



(56)

**References Cited**

U.S. PATENT DOCUMENTS

D543,328 S \* 5/2007 Kulkey ..... D34/6  
D546,521 S \* 7/2007 Mutert ..... D34/5  
D546,522 S \* 7/2007 Naujoks ..... D34/6  
D550,980 S \* 9/2007 Dixon ..... D34/5  
7,281,690 B2 \* 10/2007 Kelley ..... B65F 1/1415  
248/100  
7,318,569 B1 \* 1/2008 Bilotta ..... B65B 67/1205  
D34/5  
D568,023 S \* 4/2008 McConnell ..... B65F 1/1415  
D34/6  
7,686,260 B1 \* 3/2010 Tetradis ..... B62B 1/142  
248/98  
D665,550 S \* 8/2012 Connor ..... D34/5  
D668,828 S \* 10/2012 Jachim ..... D34/6  
D678,639 S \* 3/2013 Angelo ..... D34/6  
D704,407 S \* 5/2014 Weldon ..... D34/5  
8,857,772 B1 \* 10/2014 Weldon ..... B65B 67/1238  
248/95  
2019/0009807 A1 \* 1/2019 Weldon ..... B62B 1/14

\* cited by examiner

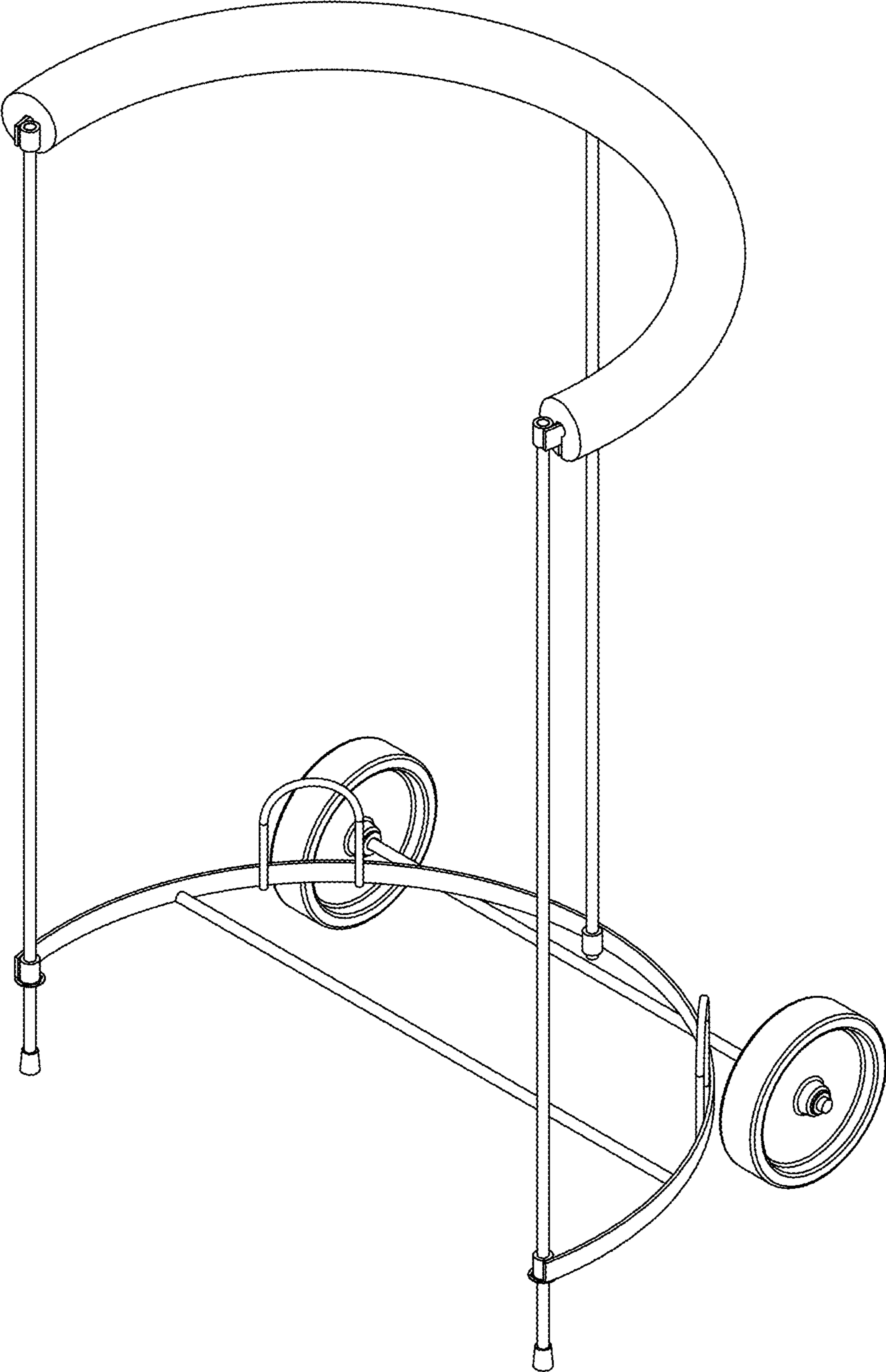


Fig. 1

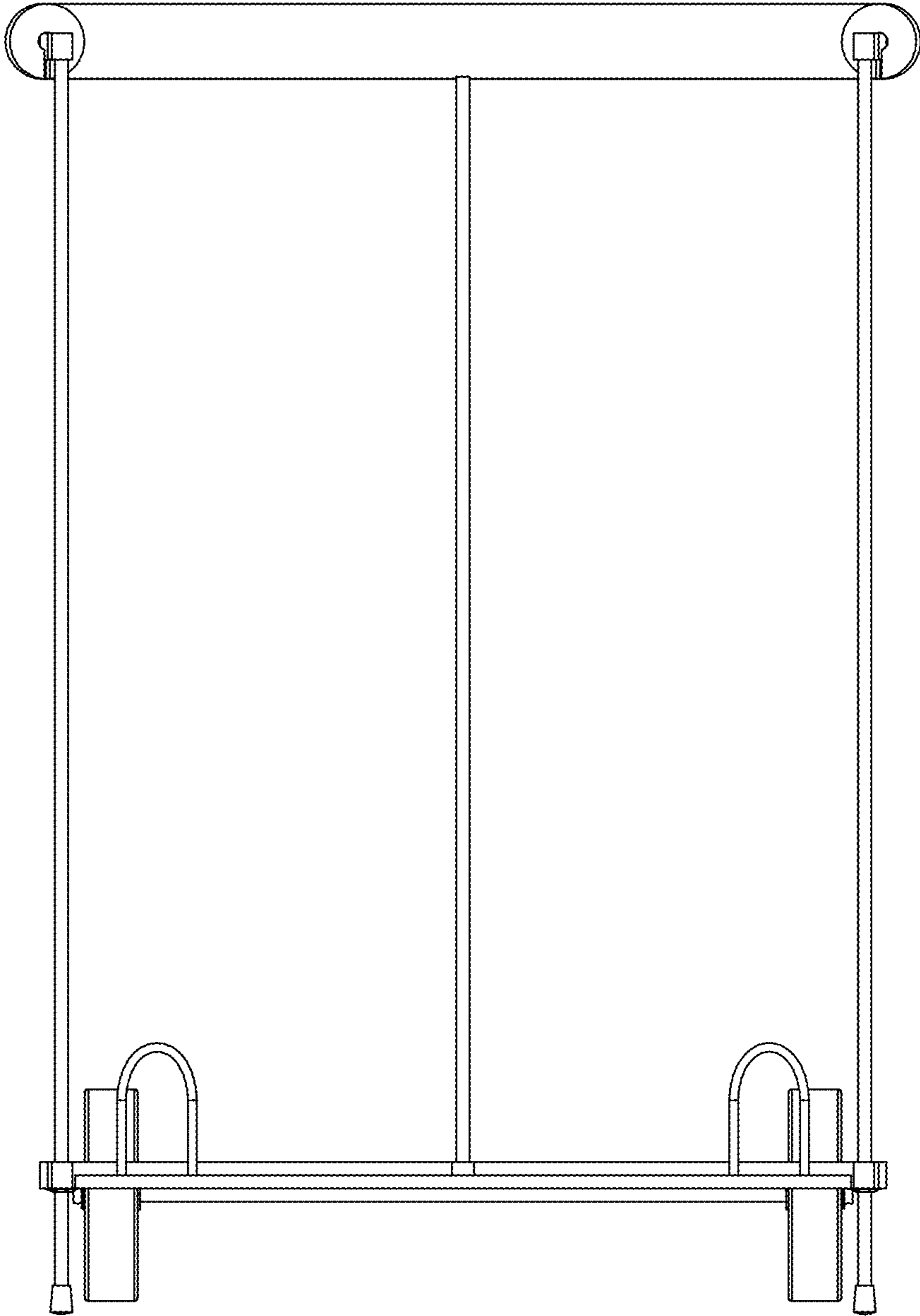


Fig. 2

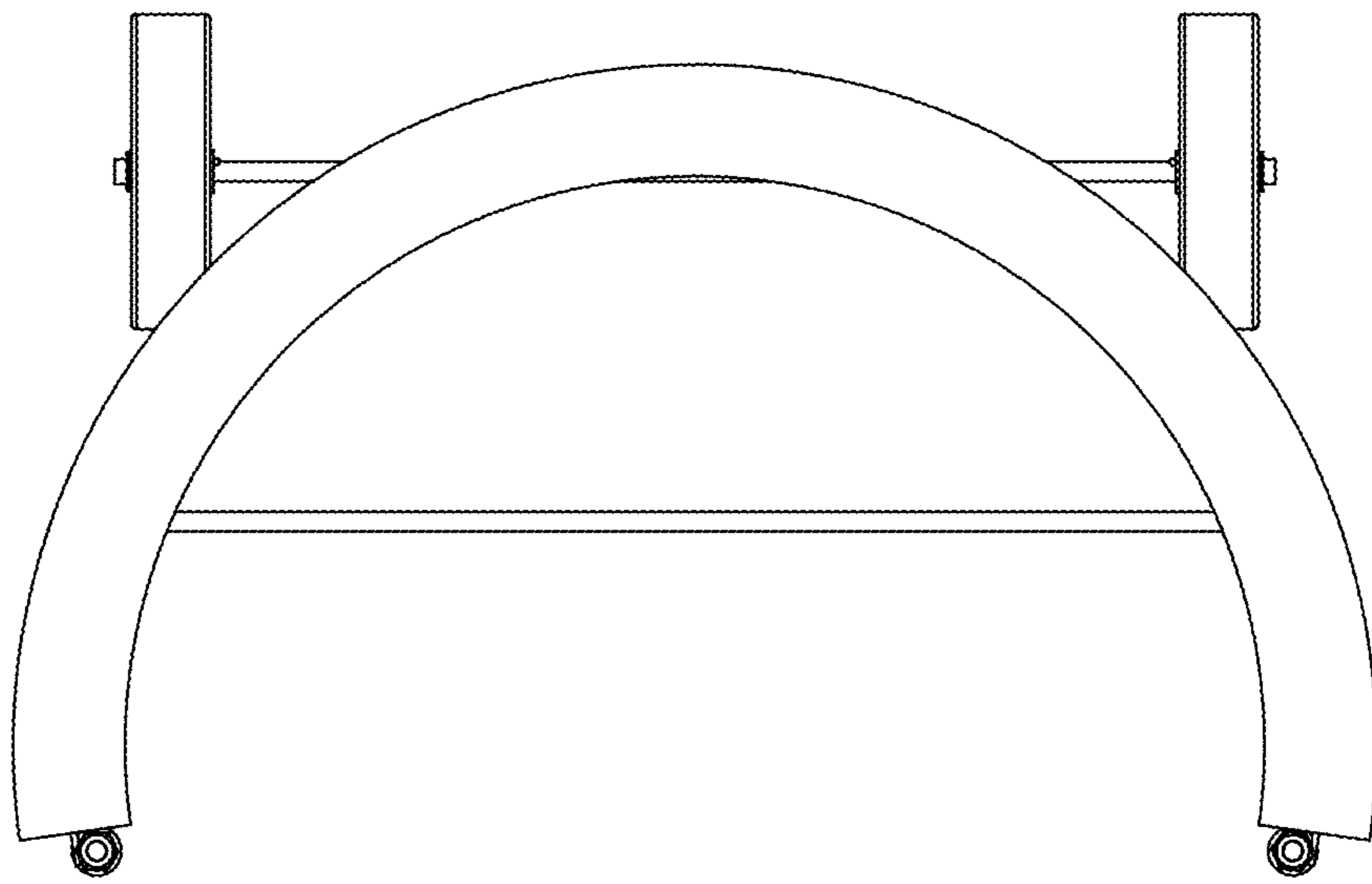


Fig. 3

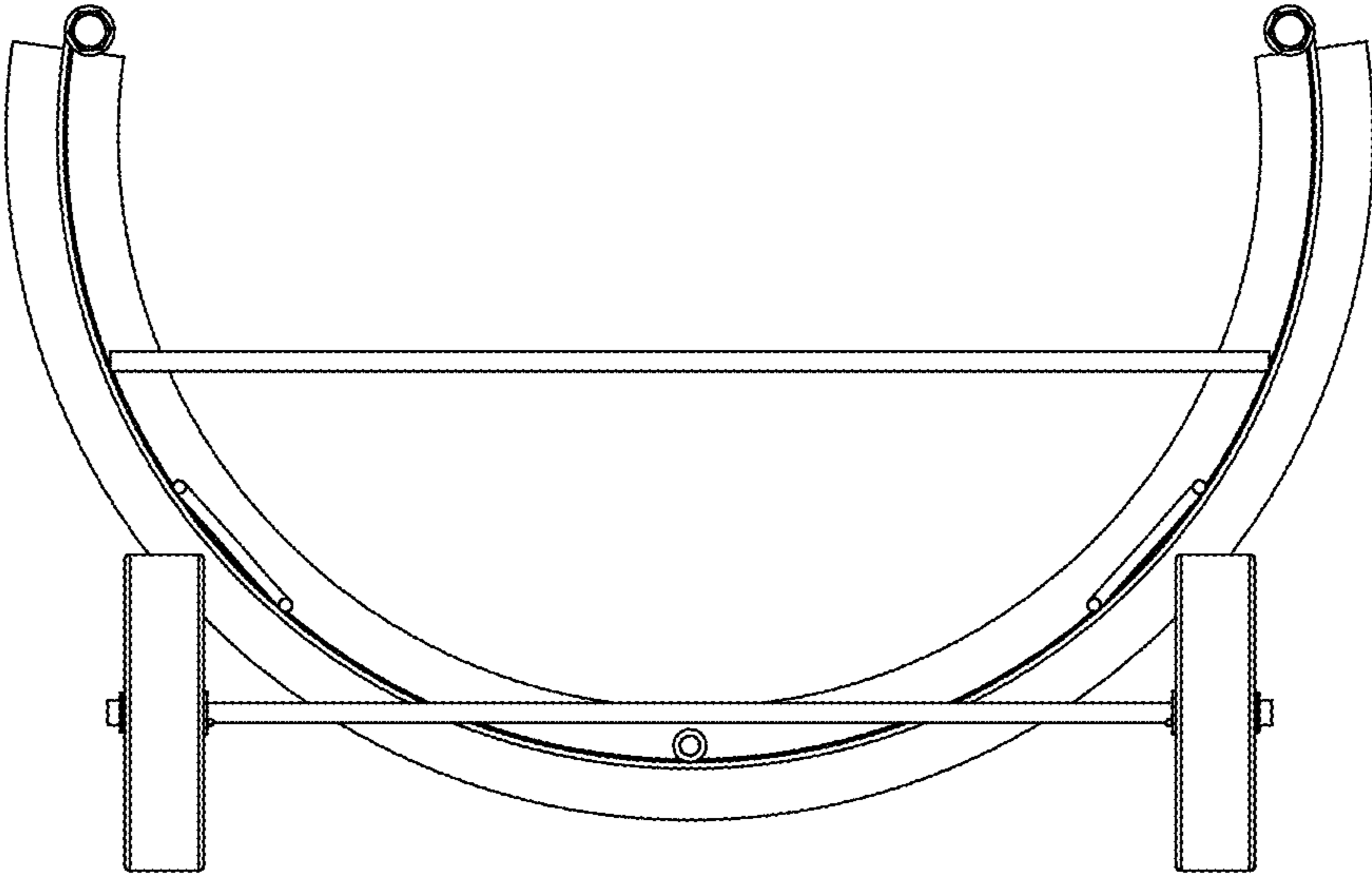


Fig. 4

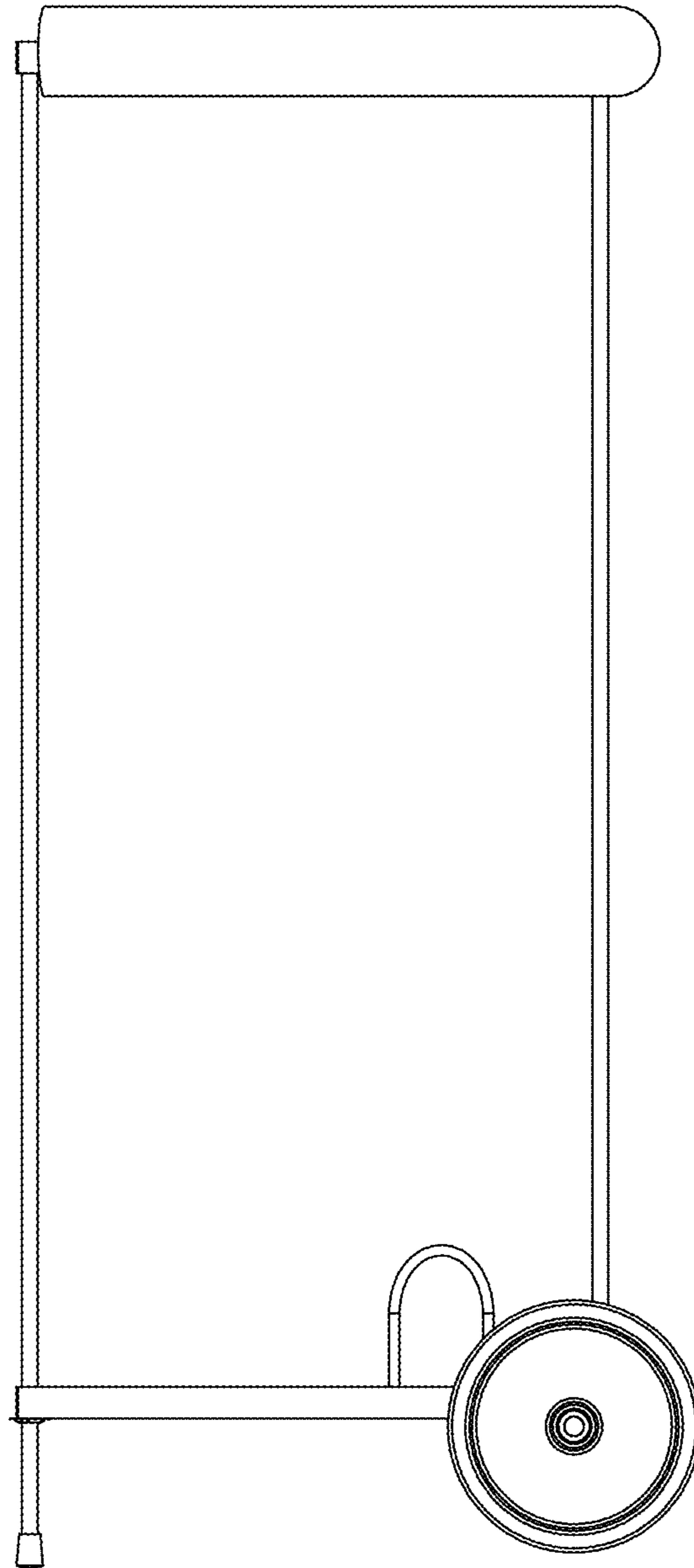


Fig. 5

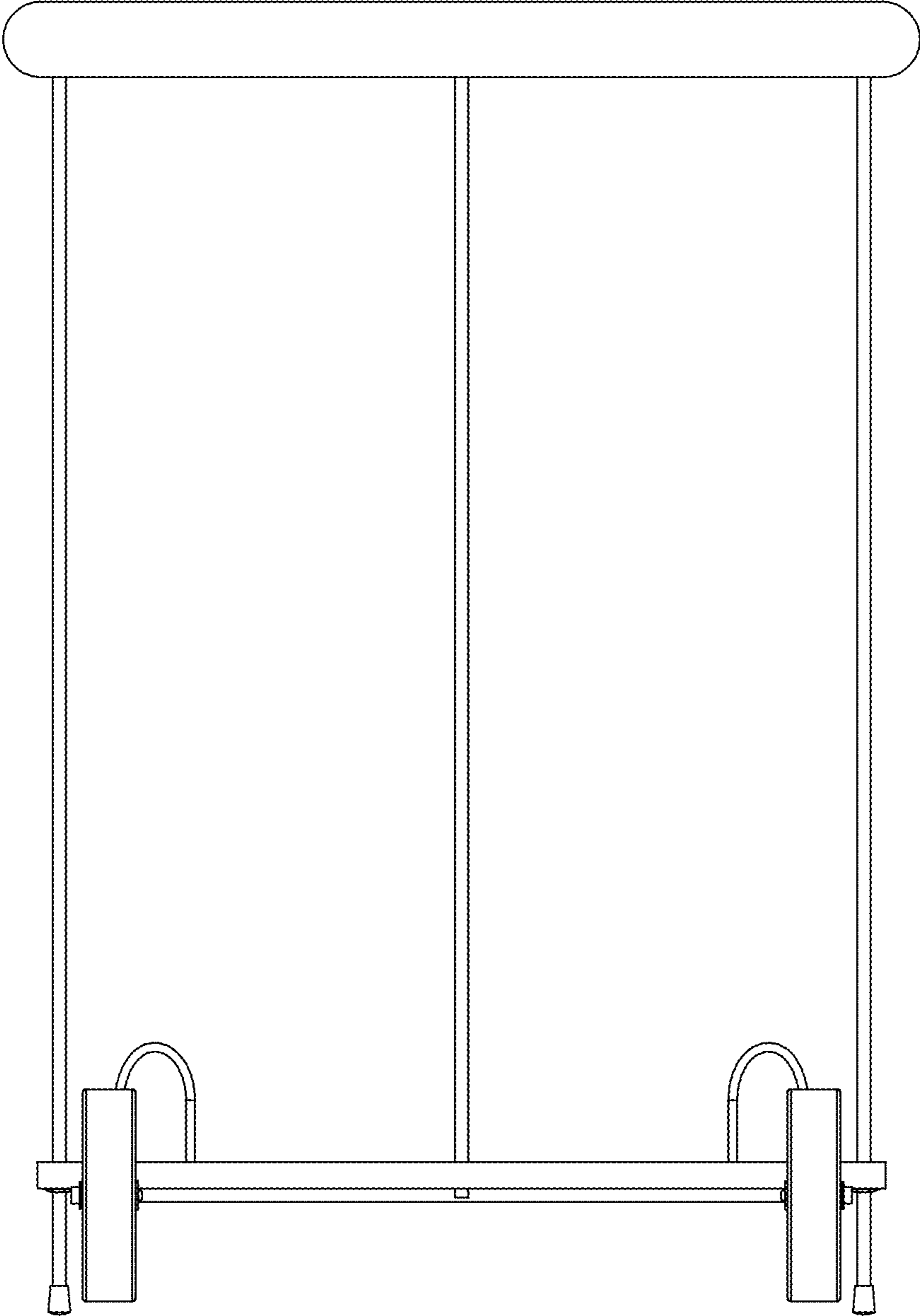


Fig. 6