



US00D854272S

(12) **United States Design Patent**
Compton

(10) **Patent No.:** **US D854,272 S**
(45) **Date of Patent:** **** Jul. 16, 2019**

- (54) **SPITTOON FLASK**
- (71) Applicant: **D. J. Novelties Inc.**, Rancho Cucamonga, CA (US)
- (72) Inventor: **Darcy Compton**, Corona, CA (US)
- (**) Term: **15 Years**
- (21) Appl. No.: **29/610,272**
- (22) Filed: **Jul. 11, 2017**
- (51) **LOC (11) Cl.** **09-09**
- (52) **U.S. Cl.**
USPC **D34/2**
- (58) **Field of Classification Search**
USPC D34/1, 2; D9/563, 544, 571, 521-523, D9/575, 503; 435/297.1, 304.1; D3/202
CPC C12M 23/08
See application file for complete search history.

- D775,530 S * 1/2017 Gayner D9/563
- D806,379 S * 1/2018 Korfonta D3/202
- D812,894 S * 3/2018 Hume D3/202
- D825,914 S * 8/2018 Dent D3/202
- D836,904 S * 1/2019 Arman D3/202
- D839,101 S * 1/2019 Jack D9/563

* cited by examiner

Primary Examiner — Cynthia Ramirez
Assistant Examiner — Gino Colan
(74) *Attorney, Agent, or Firm* — The Law Office of Austin Bonderer, PC; Austin Bonderer

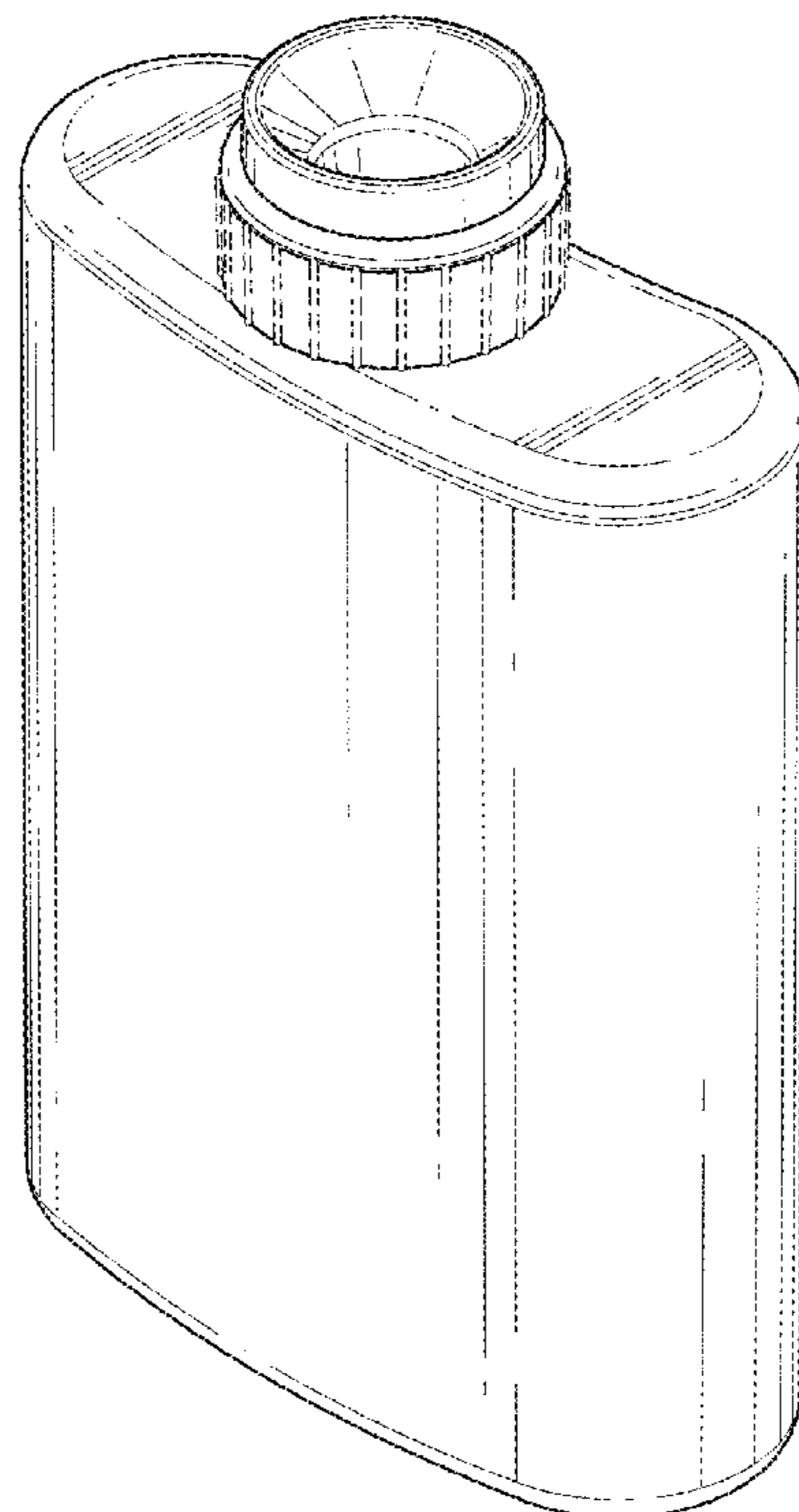
(57) **CLAIM**
The ornamental design for a spittoon flask, as shown and described.

DESCRIPTION

FIG. 1 is a perspective view of the spittoon flask showing the new design;
FIG. 2 is a front view thereof;
FIG. 3 is a rear view thereof
FIG. 4 is a right side view thereof;
FIG. 5 is a left side view thereof;
FIG. 6 is a top view thereof;
FIG. 7 is a bottom view thereof; and,
FIG. 8 is an exploded perspective view, showing the funnel, thereof.
The broken lines shown in the figures are for the purpose of illustrating portions of the spittoon flask and form no part of the claimed design.

1 Claim, 5 Drawing Sheets

- (56) **References Cited**
U.S. PATENT DOCUMENTS
D312,908 S * 12/1990 Muchmore D34/2
D464,473 S * 10/2002 Nguyen D34/2
D653,847 S * 2/2012 Seals D3/202
D702,433 S * 4/2014 Romley D3/202
D718,044 S * 11/2014 Vargo D3/202
D730,607 S * 5/2015 Compton D34/2
D758,868 S * 6/2016 Bretschneider D9/520



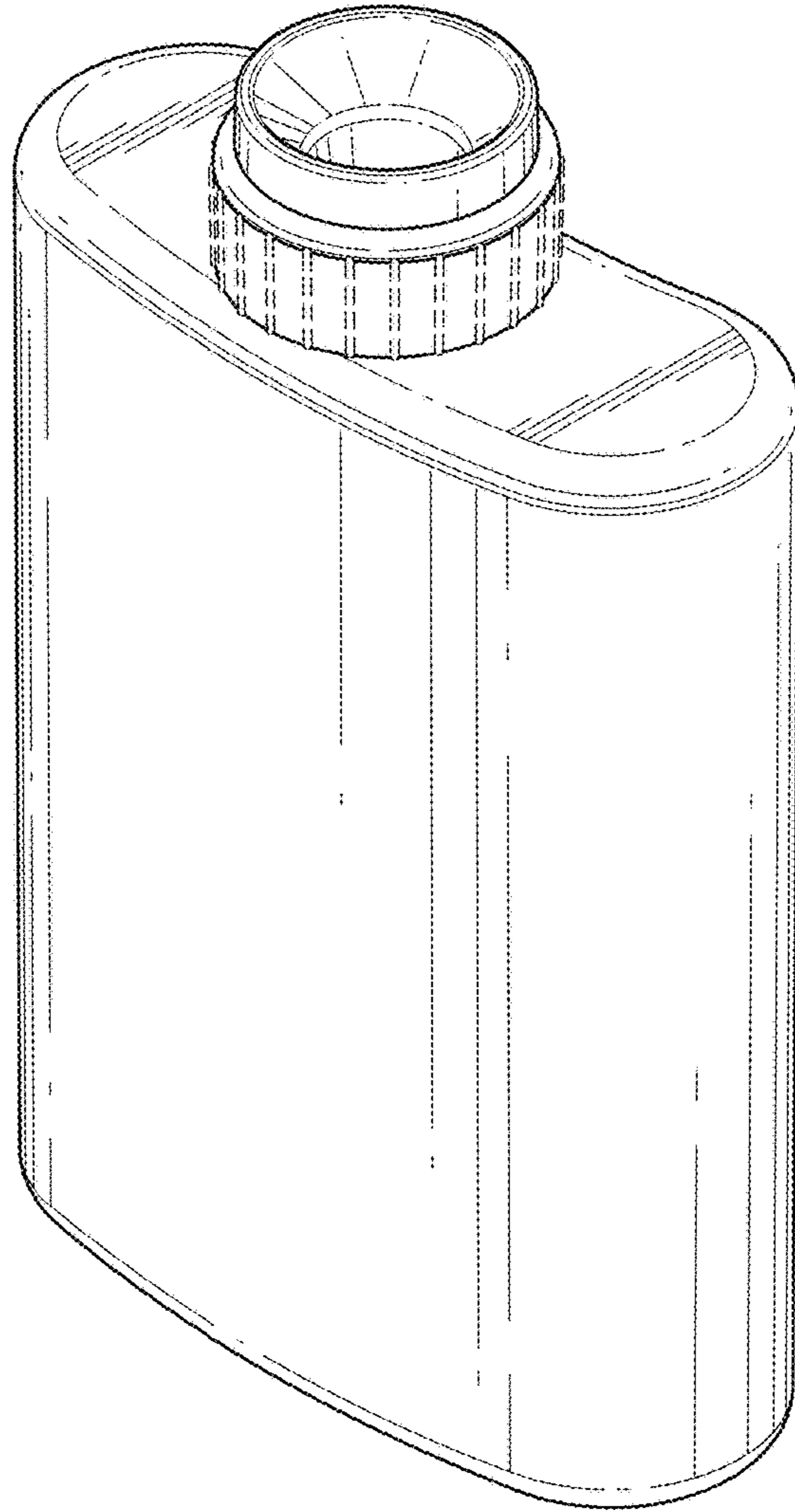


FIG. 1

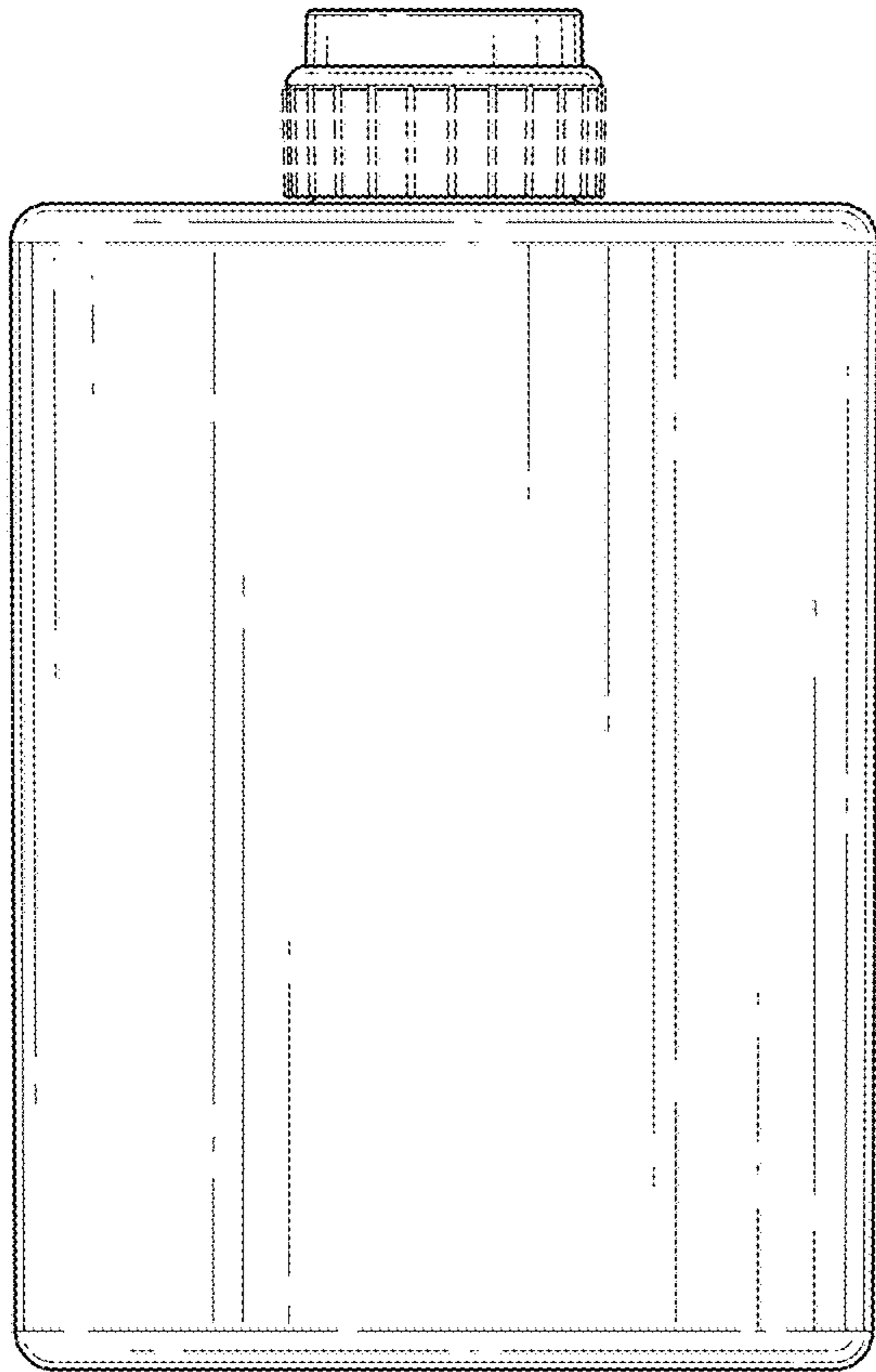


FIG. 2

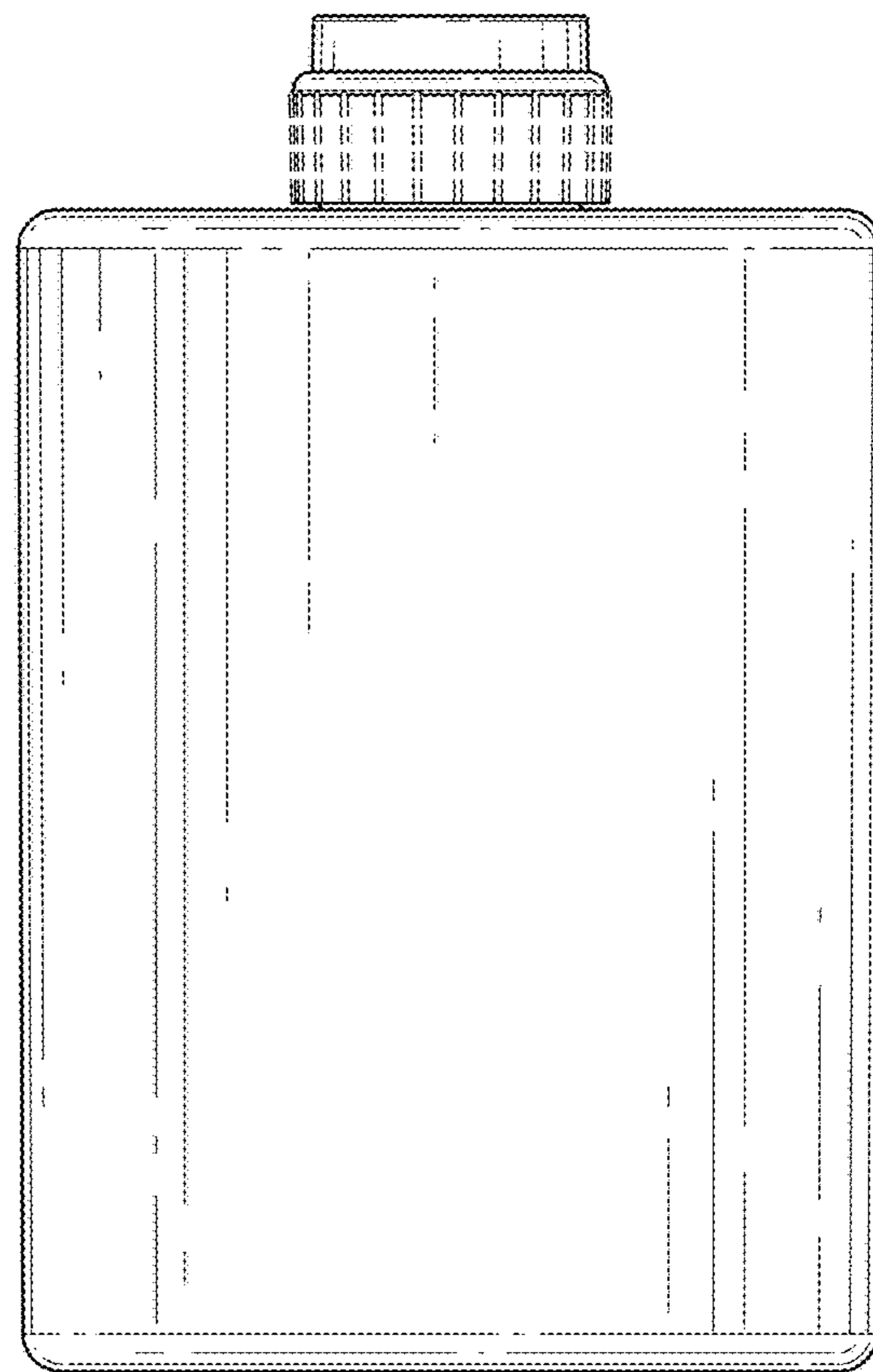


FIG. 3

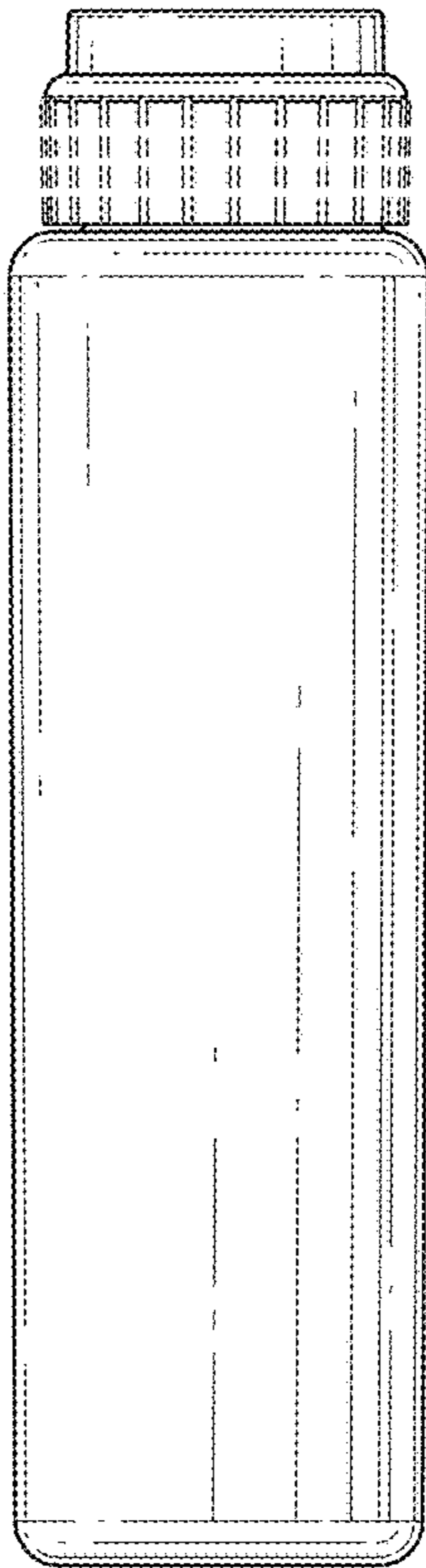


FIG. 4

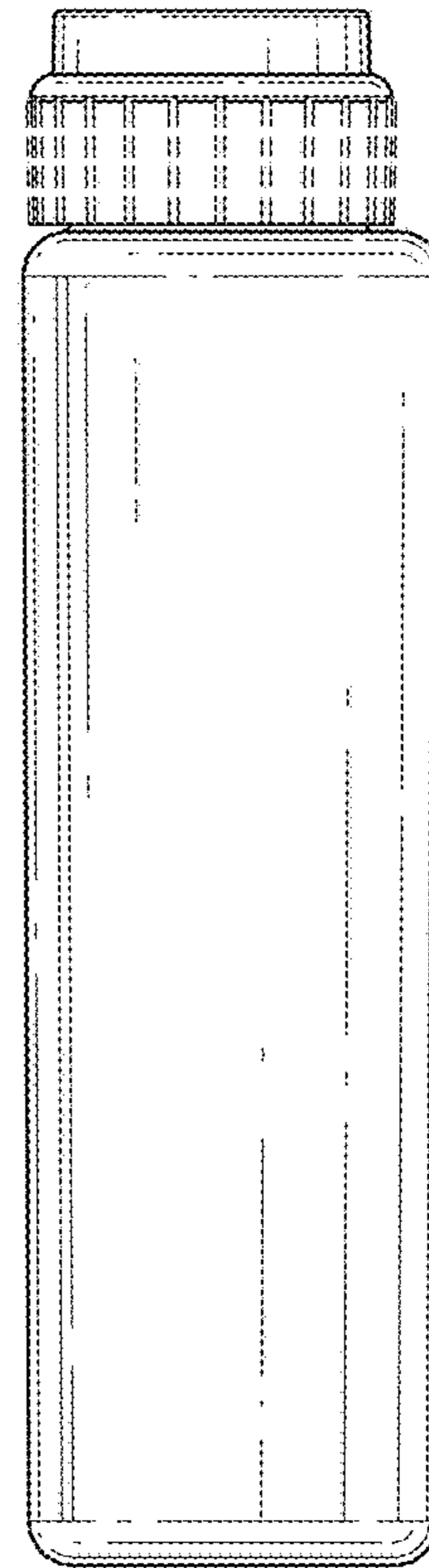


FIG. 5

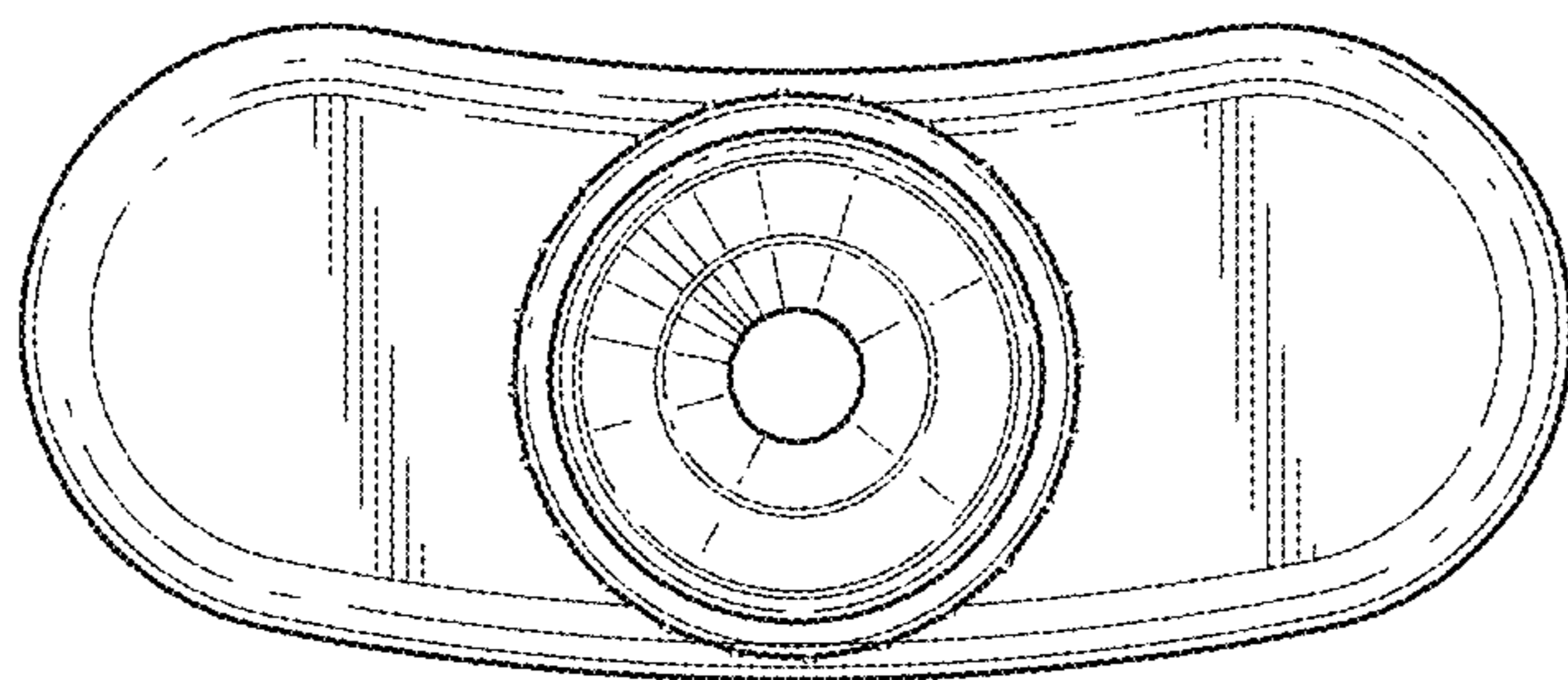


FIG. 6

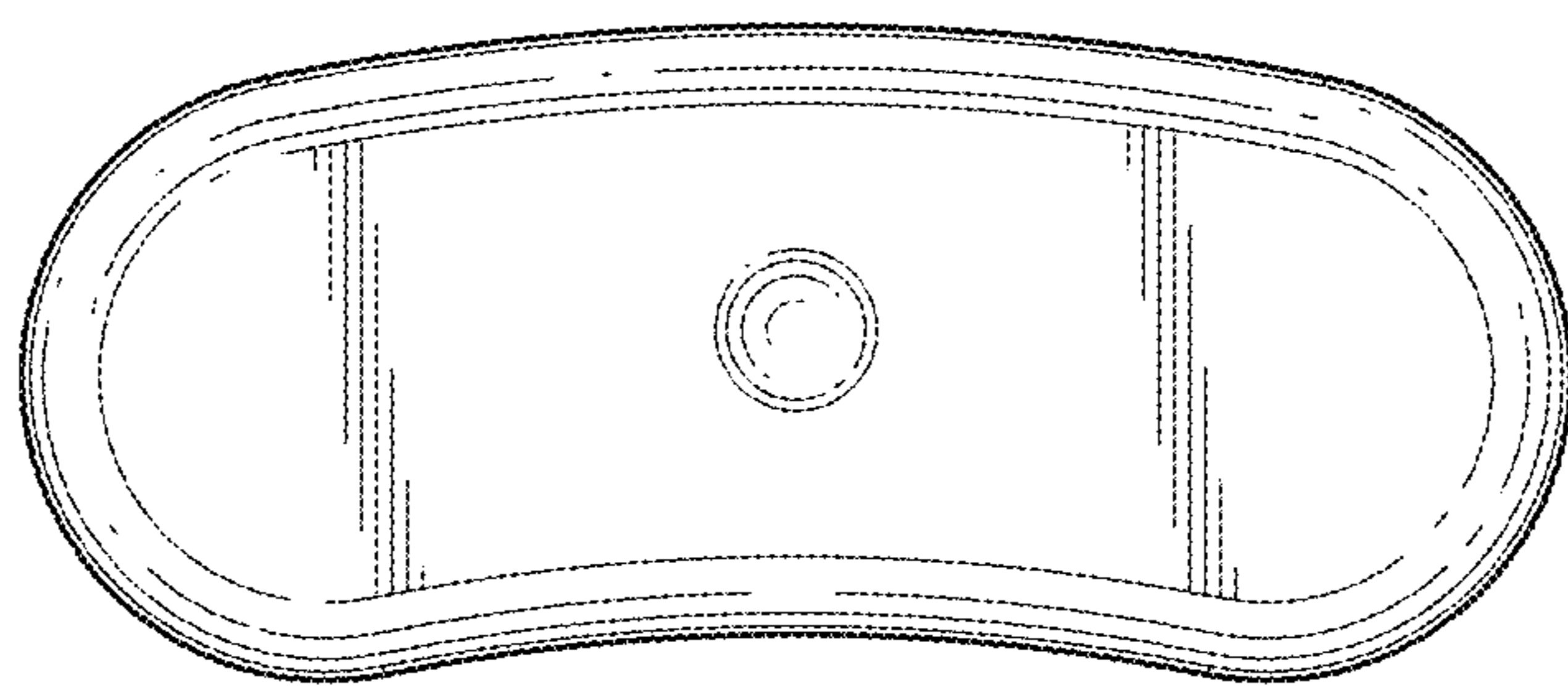


FIG. 7

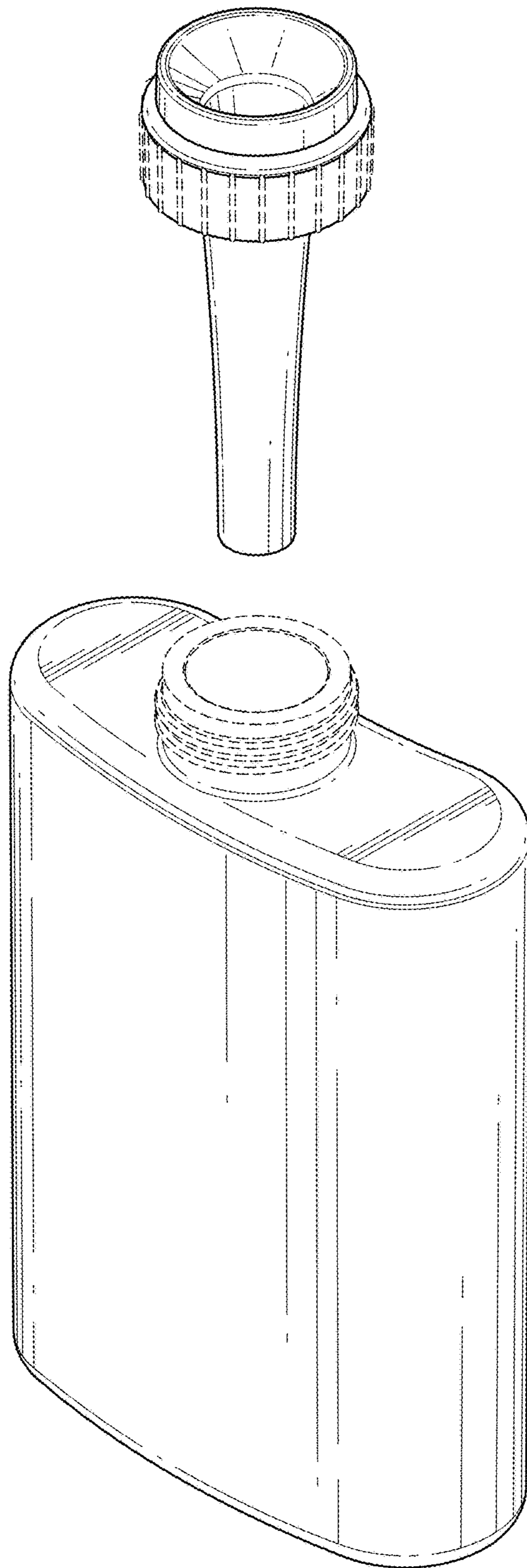


FIG. 8