



US00D854271S

(12) **United States Design Patent**
Simpson

(10) **Patent No.:** **US D854,271 S**
(45) **Date of Patent:** **** Jul. 16, 2019**

(54) **SPRING PEG**
(71) Applicant: **LOGOPEG LTD.**, Prestwich (GB)
(72) Inventor: **Gary Simpson**, Prestwick (GB)
(73) Assignee: **Logo Pegs, Ltd**, Prestwich (GB)
(**) Term: **15 Years**
(21) Appl. No.: **35/504,770**
(22) Filed: **Sep. 28, 2017**

1,499,046 A 6/1924 Woop
2,494,613 A 10/1946 Gordos et al.
2,466,284 A * 4/1949 Stinne D06F 55/00
24/500
D160,305 S * 10/1950 Dold D32/64
2,567,792 A 9/1951 Untoria
2,842,823 A * 7/1958 Kopelman D06F 55/00
24/457
4,614,008 A * 9/1986 Brill D06F 55/02
24/501
4,802,265 A * 2/1989 Stevenson A47G 25/485
211/119.13
D683,511 S * 5/2013 Fascitelli D32/61
D807,946 S * 1/2018 Flack D16/237
D811,638 S * 2/2018 Chang D26/51

(80) **Hague Agreement Data**
Int. Filing Date: **Sep. 28, 2017**
Int. Reg. No.: **DM/100553**
Int. Reg. Date: **Sep. 28, 2017**
Int. Reg. Pub. Date: **Apr. 20, 2018**

* cited by examiner
Primary Examiner — Richard E Chilcot
(74) *Attorney, Agent, or Firm* — Nexsen Pruet, LLC;
Michael A. Mann

(51) **LOC (11) Cl.** **07-05**
(52) **U.S. Cl.**
USPC **D32/64**
CPC **D06F 55/02 (2013.01)**
(58) **Field of Classification Search**
USPC D32/60–65; D8/395, 373; D20/43;
D26/138; D6/513, 328; 24/457, 499–501
CPC D65F 55/00; D65F 55/02
See application file for complete search history.

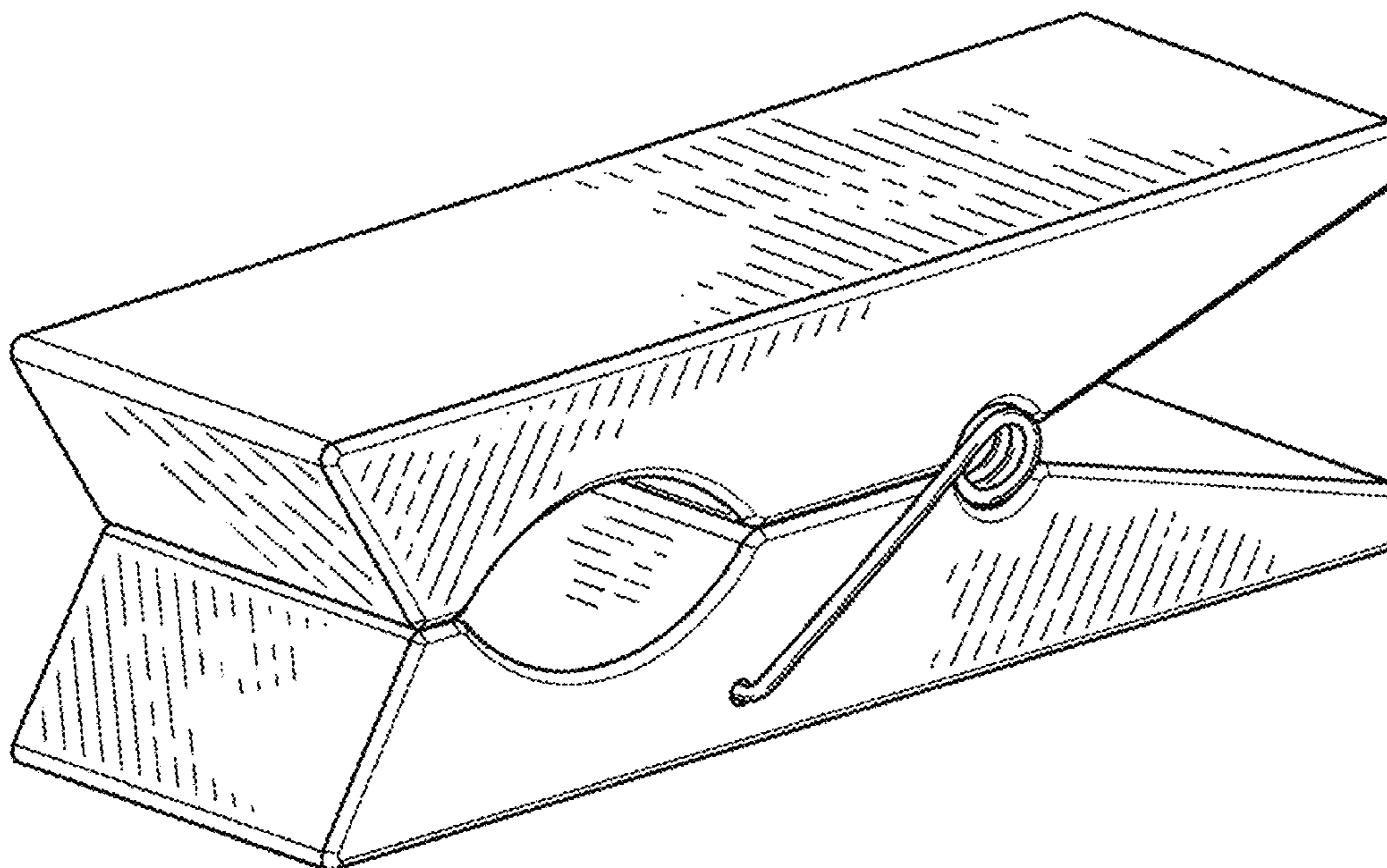
(57) **CLAIM**
The ornamental design for a spring peg, as shown and described.

(56) **References Cited**
U.S. PATENT DOCUMENTS
365,755 A 6/1887 Moore
1,132,170 A 3/1915 Dewinsky
1,487,082 A 3/1924 Zimmerman

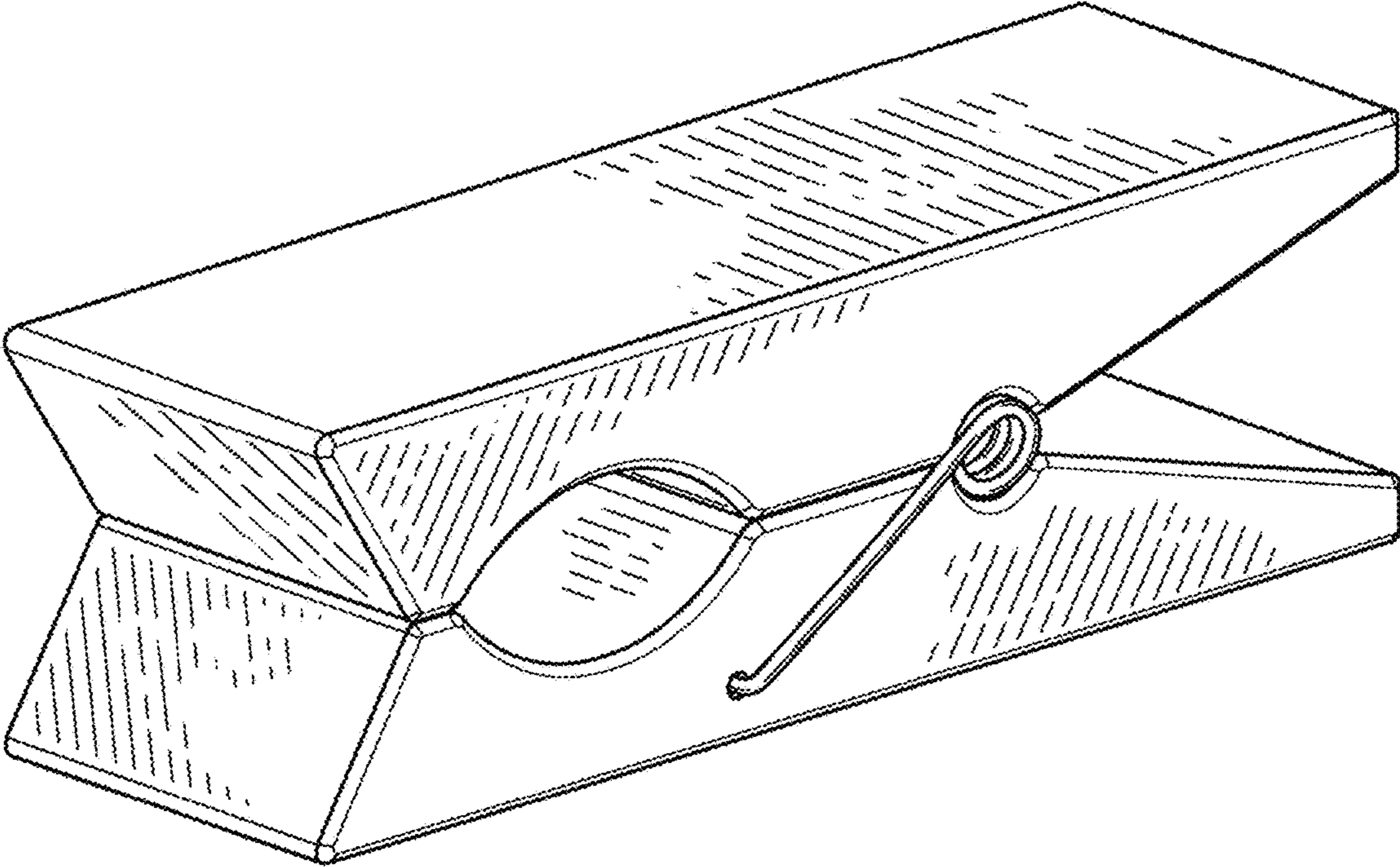
DESCRIPTION

- 1. Spring peg
- 1.1 : Perspective
- 1.2 : Left
- 1.3 : Right
- 1.4 : Top
- 1.5 : Bottom
- 1.6 : Front
- 1.7 : Back

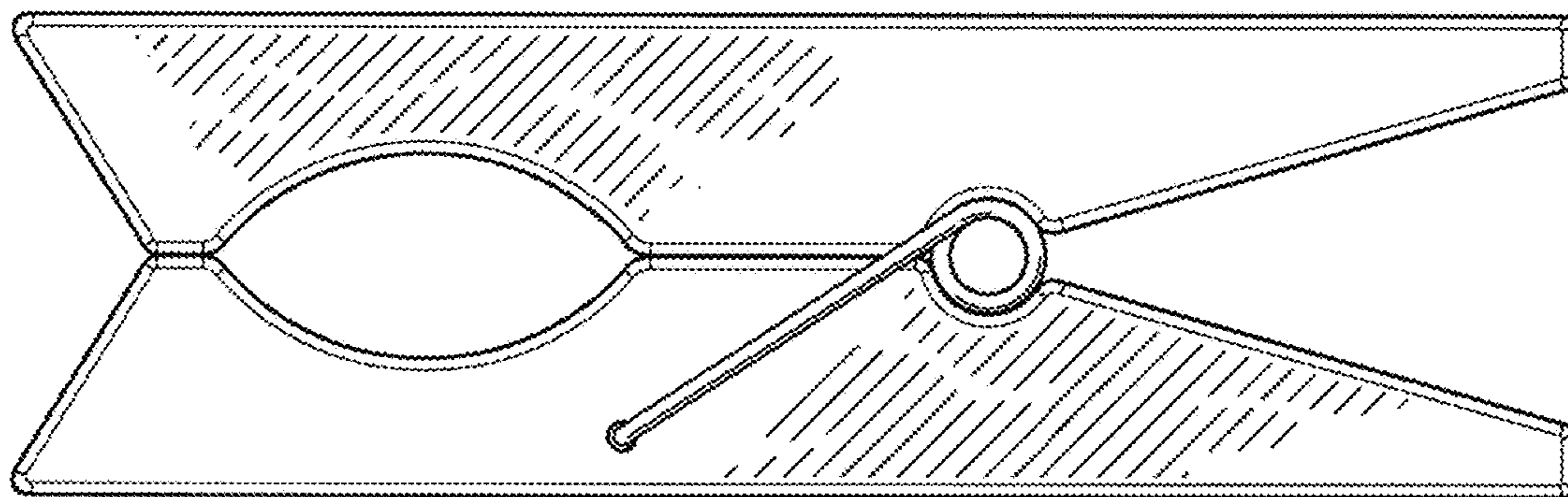
1 Claim, 7 Drawing Sheets



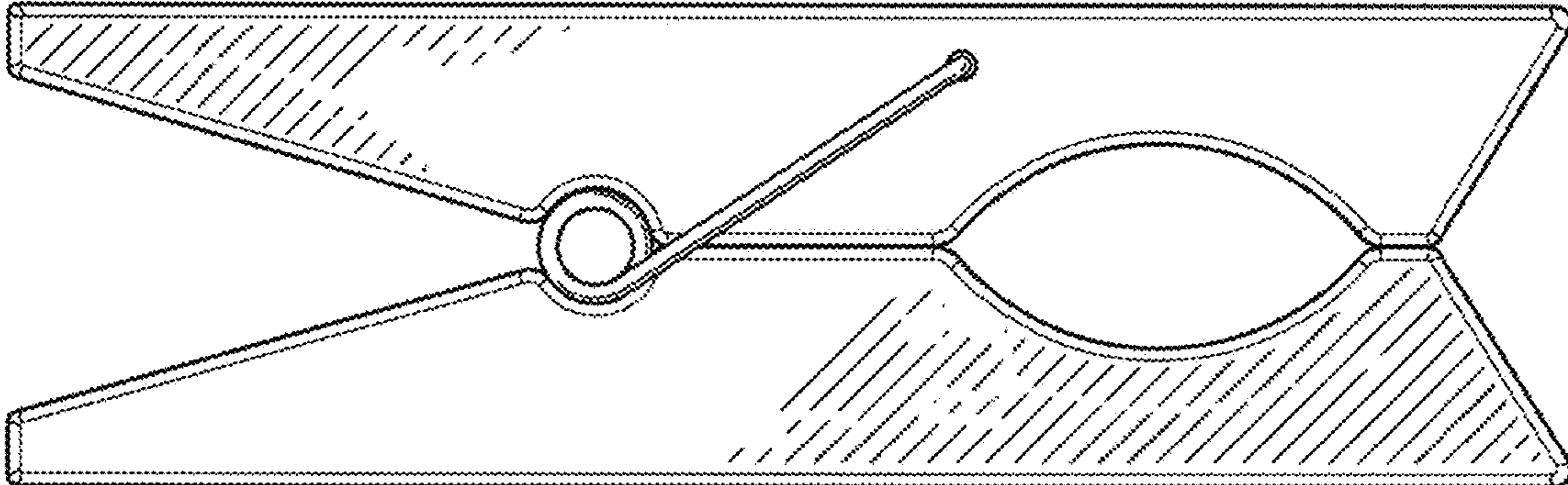
1.1



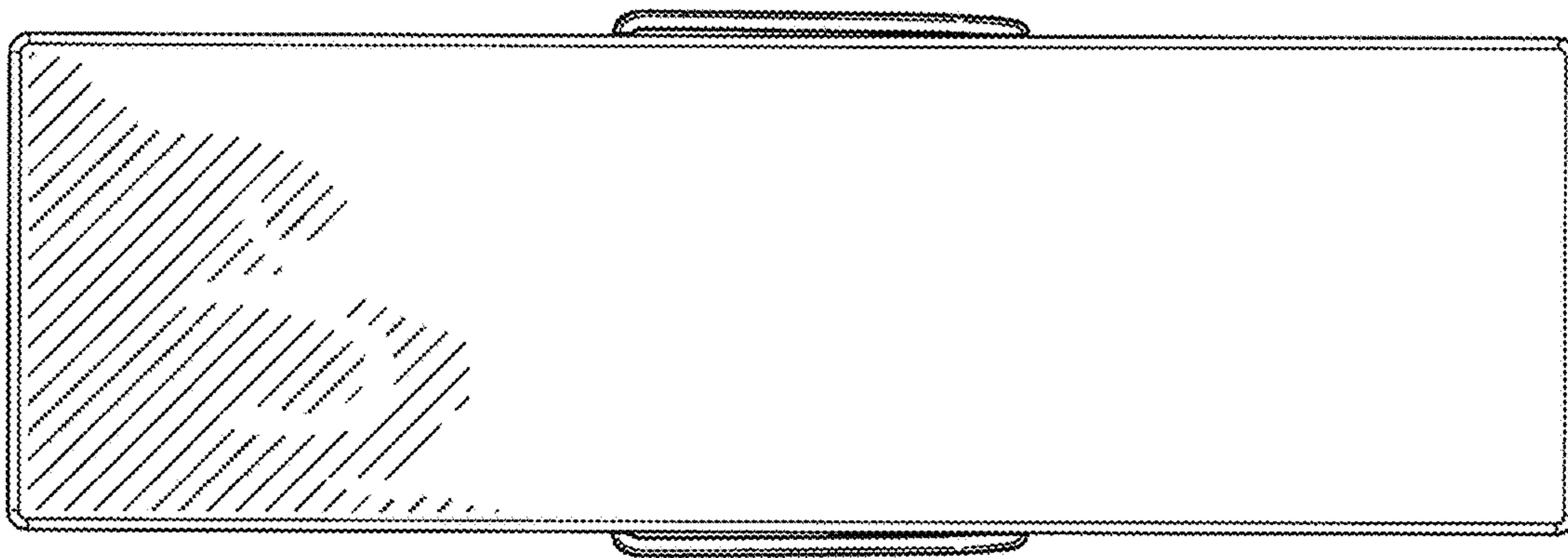
1.2



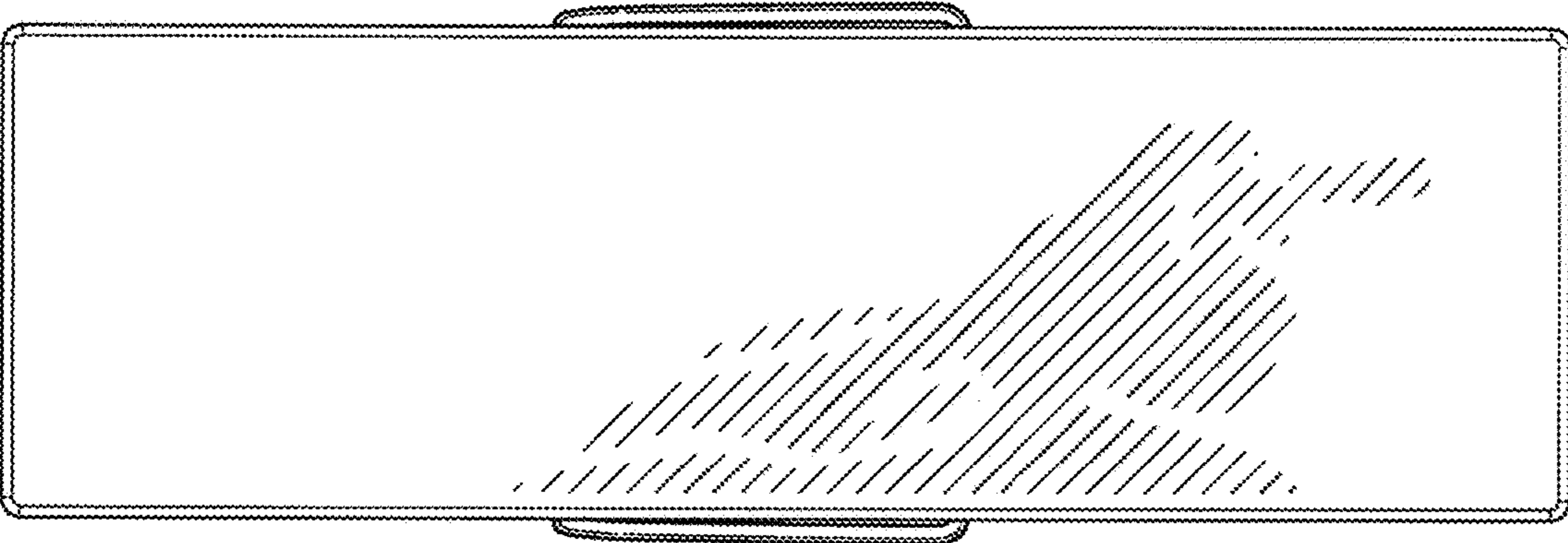
1.3



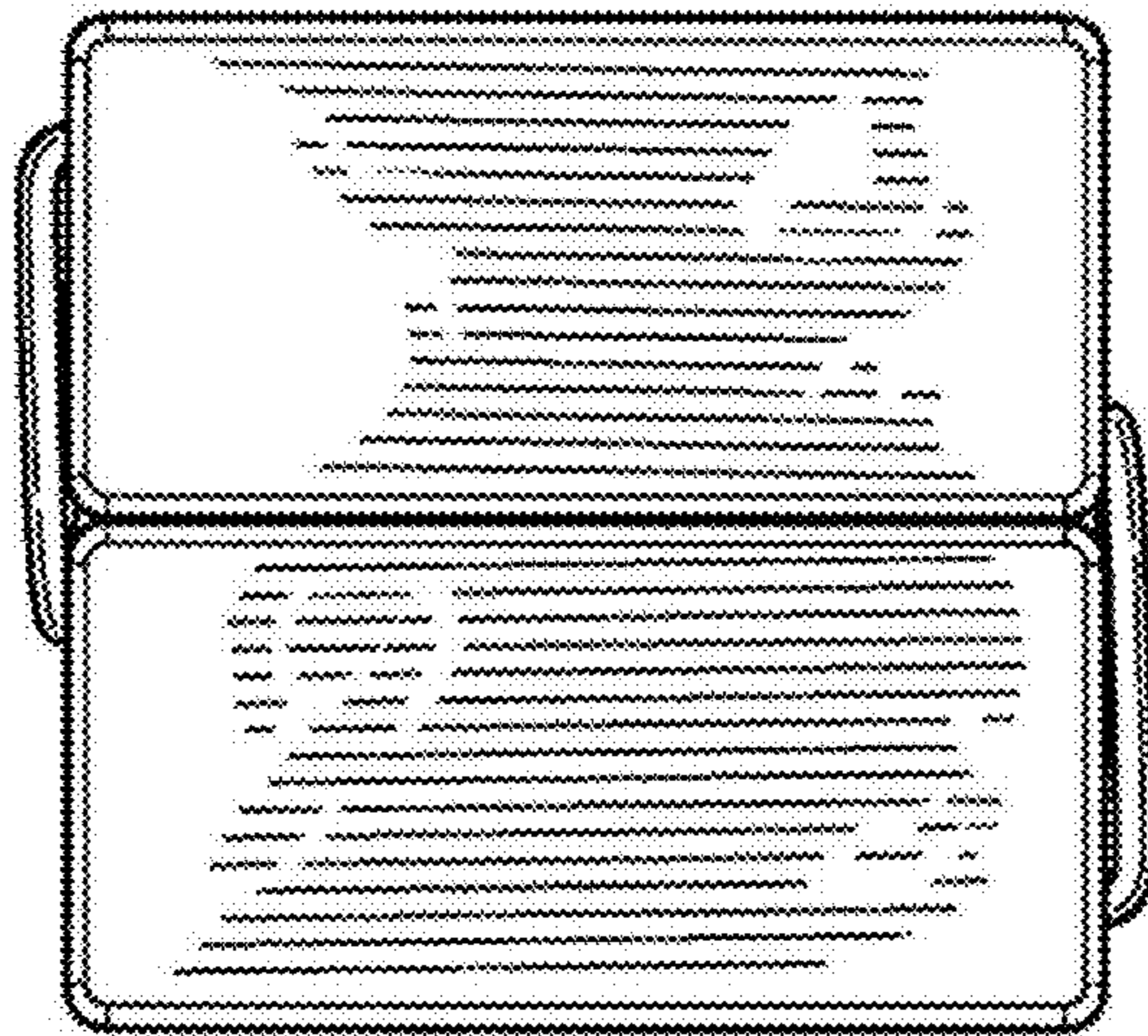
1.4



1.5



1.6



1.7

