



US00D854269S

(12) **United States Design Patent** (10) **Patent No.:** **US D854,269 S**
Meier et al. (45) **Date of Patent:** **** Jul. 16, 2019**

(54) **CLEANING TOOL**

(71) Applicant: **3M INNOVATIVE PROPERTIES COMPANY**, St. Paul, MN (US)

(72) Inventors: **Thomas C. Meier**, Woodbury, MN (US); **Mark W. Baldwin**, Woodbury, MN (US); **Zachary A. Schaefer**, Minneapolis, MN (US); **Megan E. Renner**, St. Paul, MN (US); **Matthew D. Chaffee**, Minneapolis, MN (US); **Michael C. Mooney**, Coon Rapids, MN (US)

(73) Assignee: **3M INNOVATIVE PROPERTIES COMPANY**, St. Paul, MN (US)

(**) Term: **15 Years**

(21) Appl. No.: **29/644,761**

(22) Filed: **Apr. 20, 2018**

(51) **LOC (11) Cl.** **04-01**

(52) **U.S. Cl.**
USPC **D32/45**; D4/137; D4/138

(58) **Field of Classification Search**
USPC D4/101, 114, 115, 116, 117, 118, 121, D4/122, 123, 124, 125, 127, 128, 129, D4/130, 131, 132, 133, 134, 135, 136, D4/137, 138, 199; 15/143.1; D32/35, D32/40, 41, 42, 45; 206/361; 16/DIG. 10, 19
CPC A46B 9/02; A46B 5/02; B08B 1/002
See application file for complete search history.

(56) **References Cited**

U.S. PATENT DOCUMENTS

4,961,662 A * 10/1990 Chow A46B 11/066
401/204
D337,205 S * 7/1993 Tsai D4/115

D492,119 S 6/2004 Hay
D502,301 S * 2/2005 Hay D32/52
D517,326 S * 3/2006 Hay D4/116
D690,481 S * 9/2013 Roehm D32/40
D770,712 S * 11/2016 Neumann D32/45
9,526,326 B2 * 12/2016 Neumann A47L 23/05
9,826,878 B2 11/2017 Ouellette
D815,439 S * 4/2018 Libman D4/114
D825,931 S * 8/2018 Chitayat D4/114
D837,530 S * 1/2019 Renner D4/128
2004/0105715 A1 * 6/2004 Spelman A46B 11/0013
401/6
2010/0229318 A1 9/2010 Sparks

FOREIGN PATENT DOCUMENTS

CN 304411599 * 12/2017
CN 304851518 * 10/2018
EM 001016711-0001 * 11/2008
EM 001746926-0001 * 8/2010

* cited by examiner

Primary Examiner — Karen E Eldridge Powers

(74) *Attorney, Agent, or Firm* — Irina Hass

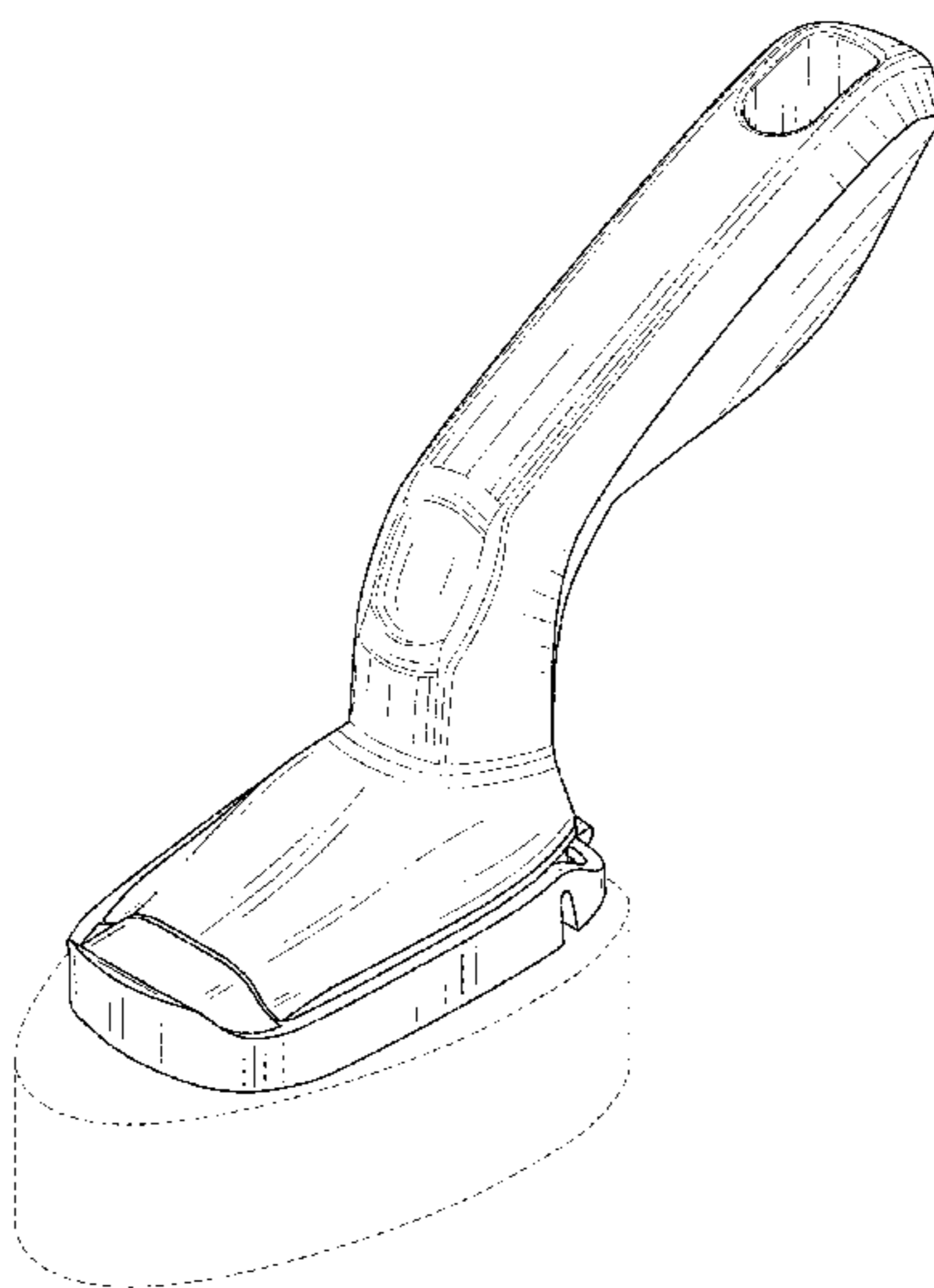
(57) **CLAIM**

The ornamental design for a cleaning tool, as shown and described.

DESCRIPTION

FIG. 1 is a perspective view showing the new design for a cleaning tool;
FIG. 2 is a front elevation view thereof;
FIG. 3 is a rear elevation view thereof;
FIG. 4 is a right side elevation view thereof, a left side view being a mirror image thereof;
FIG. 5 is a top plan view thereof; and,
FIG. 6 is a bottom plan view thereof.
The portions of the cleaning tool in FIGS. 1-6 shown in broken lines are included to show features that form no part of the claimed design.

1 Claim, 4 Drawing Sheets



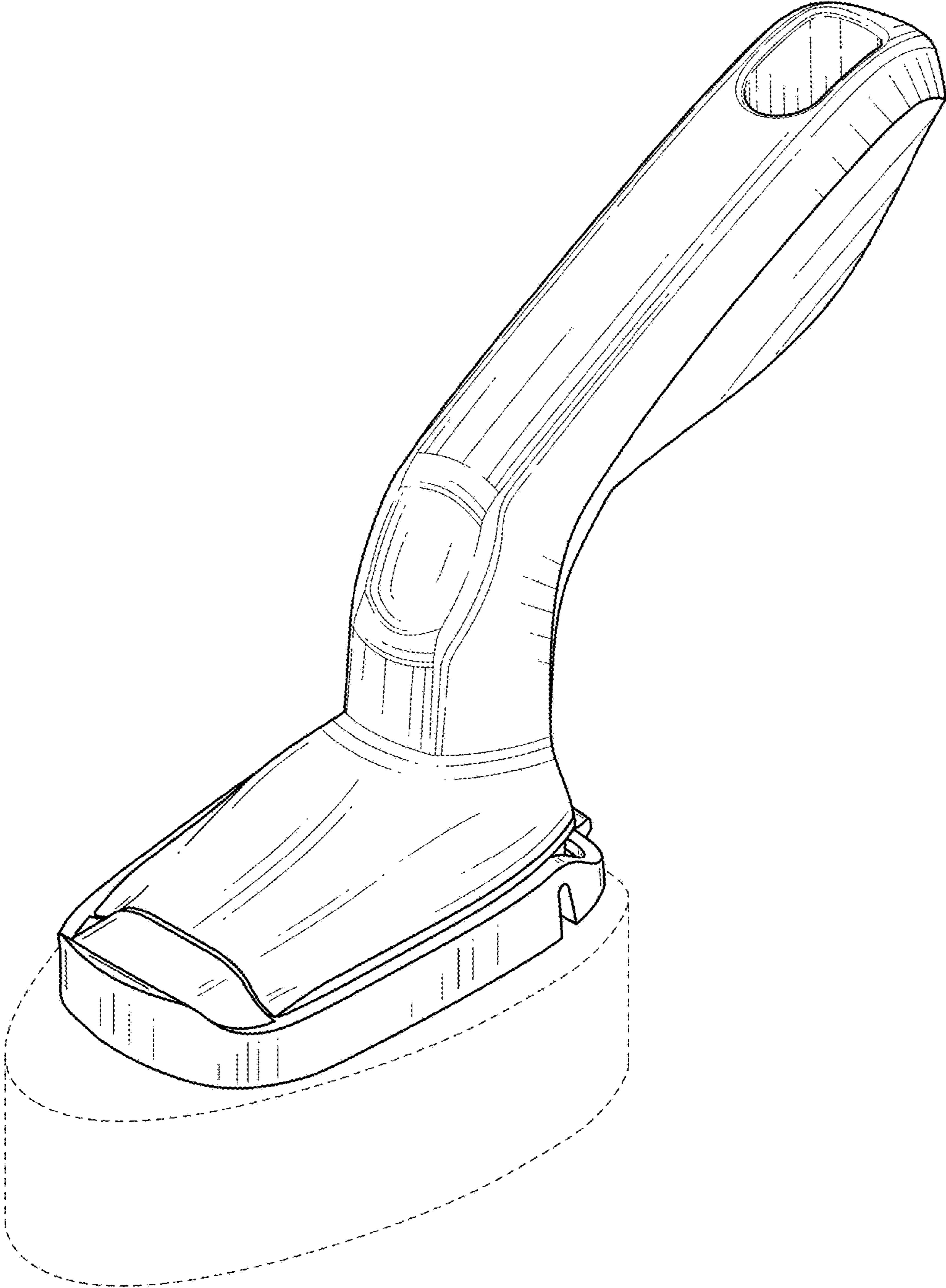


FIG. 1

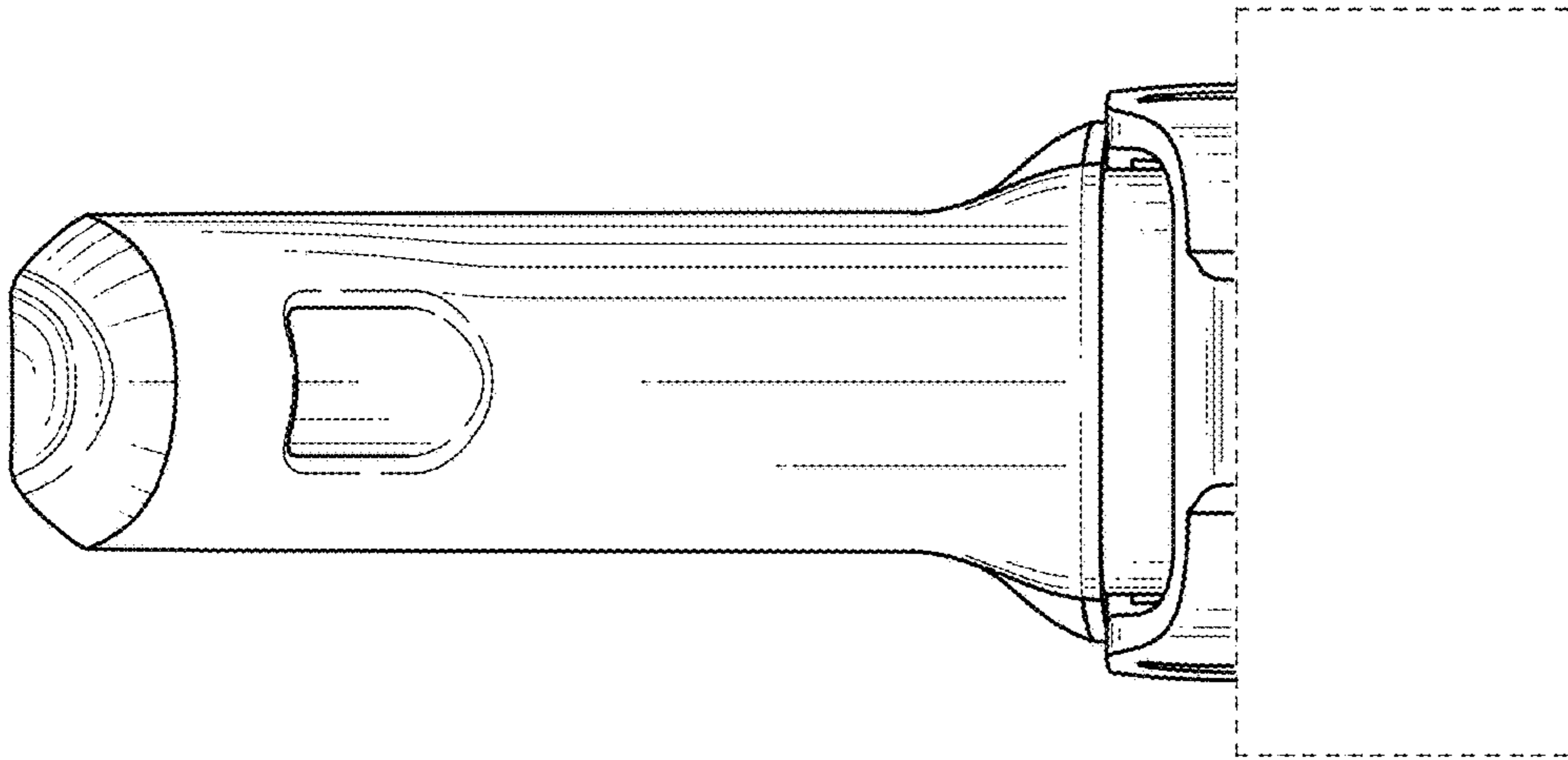


FIG. 3

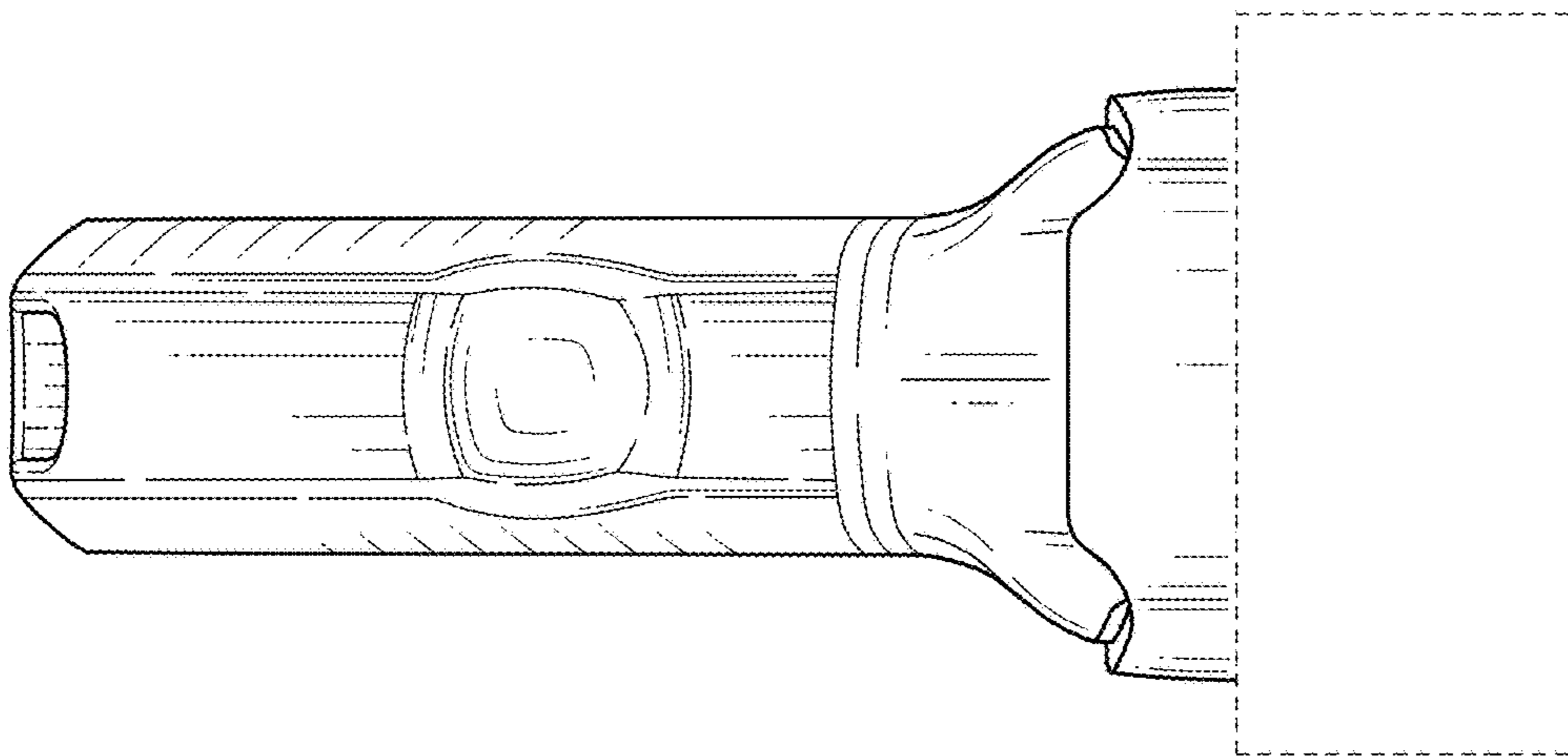


FIG. 2

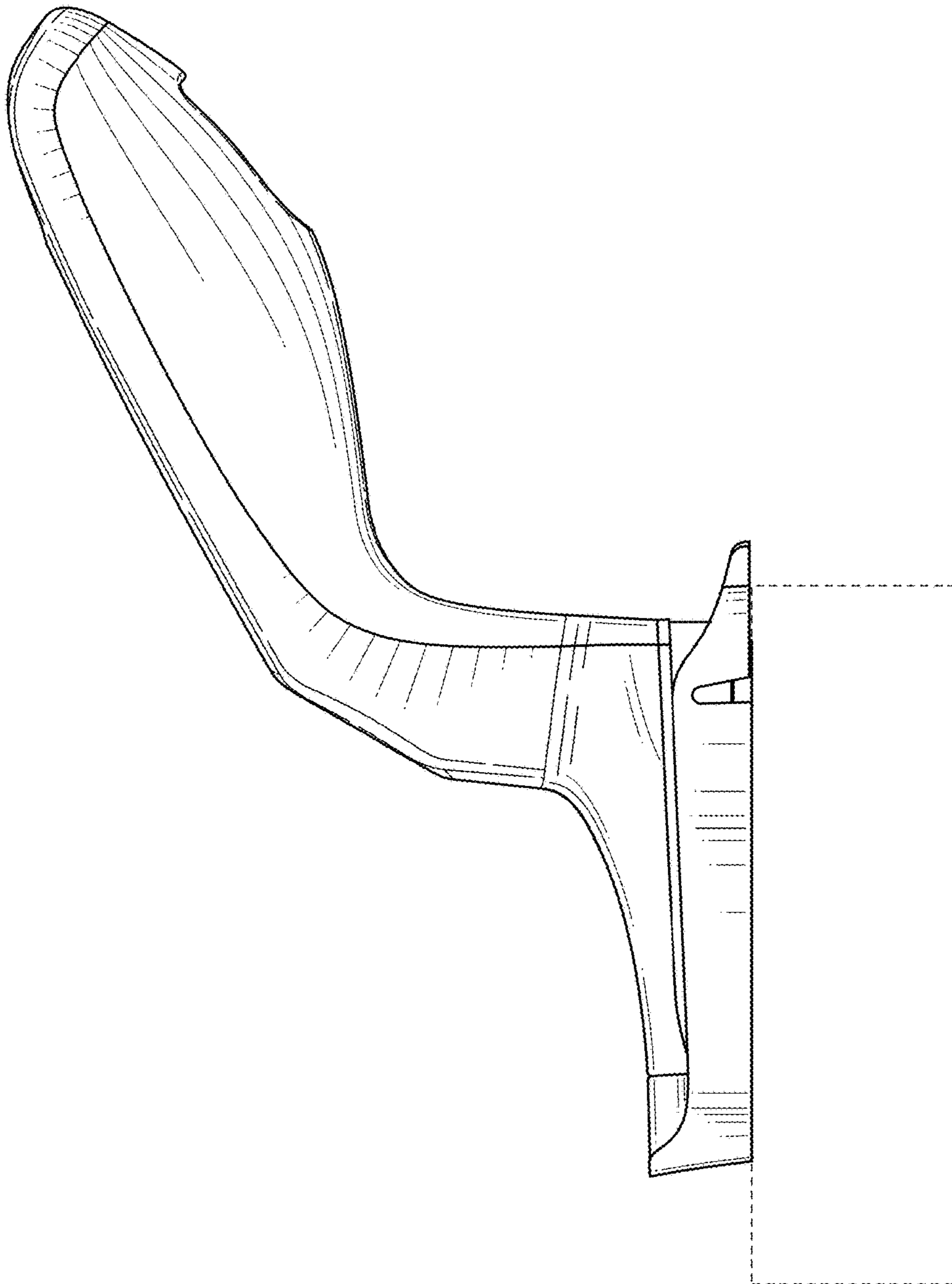


FIG. 4

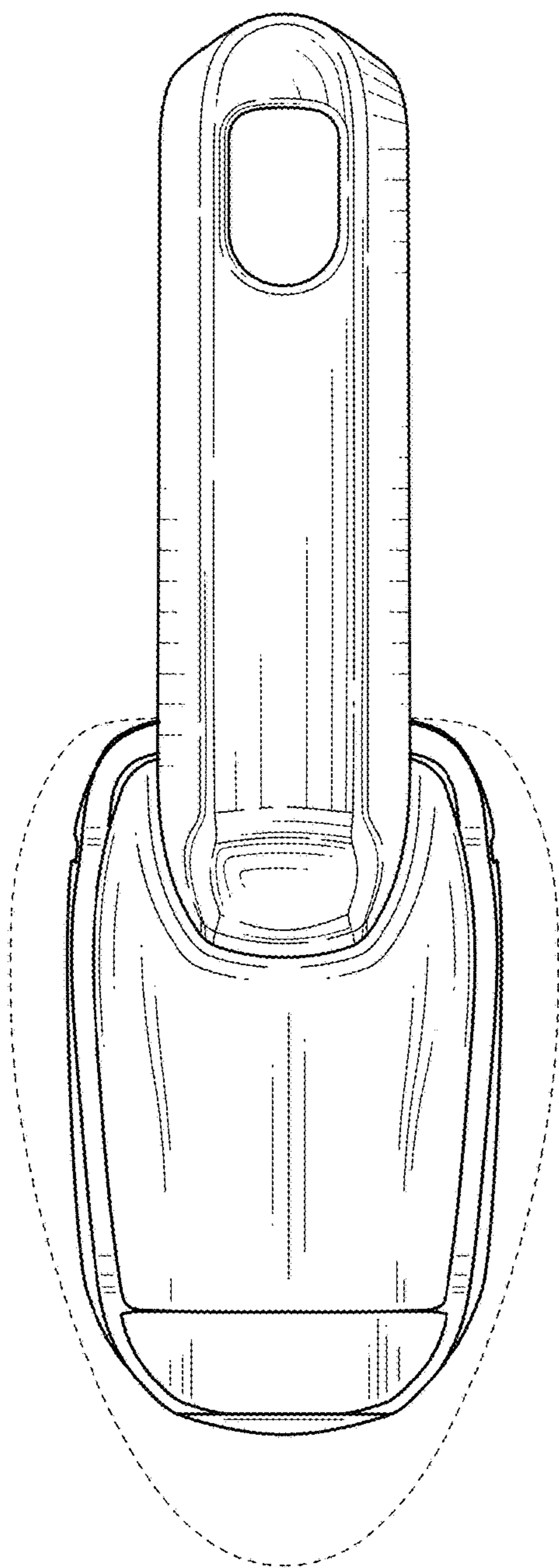


FIG. 5

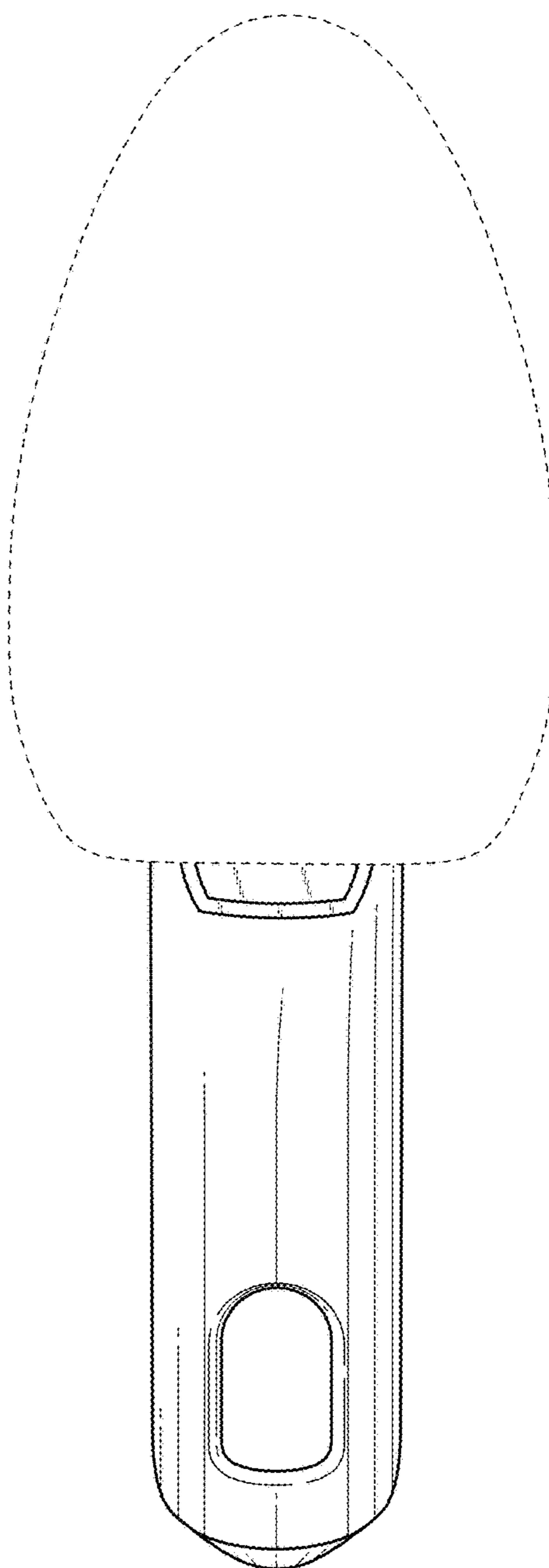


FIG. 6