



US00D854267S

(12) **United States Design Patent**
Lambourn et al.

(10) **Patent No.:** **US D854,267 S**
(45) **Date of Patent:** **** Jul. 16, 2019**

(54) **POOL CLEANER BODY**
(71) Applicant: **NC Brands L.P.**, Norwalk, CT (US)
(72) Inventors: **Paul Lambourn**, Sydenham (ZA);
Michael Richard Tregoning, Edenvale (ZA); **Robin Owen Ellis**, Pine Ridge, FL (US)
(73) Assignee: **NC Brands L.P.**, Norwalk, CT (US)

D548,906 S * 8/2007 Frederick D32/40
D785,260 S * 4/2017 Lin D32/31
D790,782 S * 6/2017 Bruneel D32/18
9,675,913 B1 * 6/2017 Sebor B01D 35/02
2011/0024339 A1 * 2/2011 Brown E04H 4/1663
210/167.1
2011/0088180 A1 * 4/2011 Kellogg E04H 4/1663
15/1.7
2011/0167552 A1 * 7/2011 Danks E04H 4/1663
4/496

(**) Term: **15 Years**

(21) Appl. No.: **29/610,964**

(22) Filed: **Jul. 18, 2017**

(51) **LOC (11) Cl.** **15-05**

(52) **U.S. Cl.**
USPC **D32/25**; D32/18

(58) **Field of Classification Search**
USPC D32/15, 1, 21, 25, 32, 18; D8/354, 349;
210/143, 745; 15/1.7; 180/305, 429;
415/148
CPC ... E04H 4/1672; E04H 4/1663; E04H 4/1654;
E04H 4/16; E04H 4/1636
See application file for complete search history.

(56) **References Cited**

U.S. PATENT DOCUMENTS

4,742,593 A * 5/1988 Kallenbach E04H 4/1663
137/843
4,749,478 A * 6/1988 Brooks E04H 4/1654
134/167 R
5,315,728 A * 5/1994 Atkins E04H 4/1663
137/798
5,863,425 A * 1/1999 Herlehy A47L 9/1427
15/1.7
D430,364 S * 8/2000 Supra D32/21
6,098,228 A * 8/2000 Chang E04H 4/1663
137/624.14
D487,826 S * 3/2004 Supra D32/25

FOREIGN PATENT DOCUMENTS

CA 93350 * 9/2001
CN 303602611 * 3/2016

Primary Examiner — Cynthia Ramirez

Assistant Examiner — Laura H Yu

(74) *Attorney, Agent, or Firm* — Allen Dyer Doppelt & Gilchrist

(57) **CLAIM**

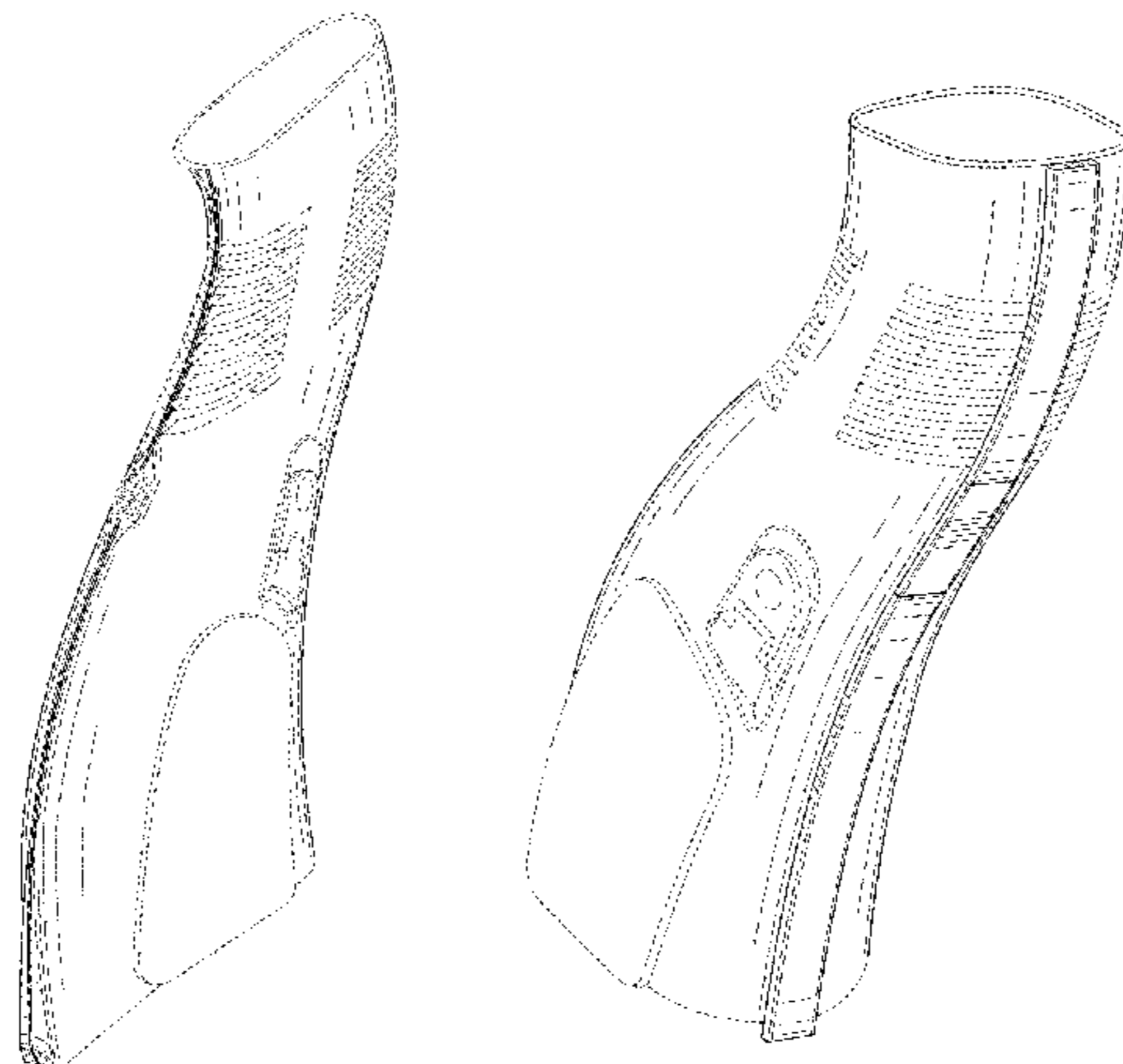
The ornamental design for a pool cleaner body, as shown and described.

DESCRIPTION

FIG. 1 is a top, right, rear perspective view of a pool cleaner body showing our new design;
FIG. 2 is a top, right, front perspective view thereof;
FIG. 3 is a bottom, left, front perspective view thereof;
FIG. 4 is a bottom, left, rear perspective view thereof;
FIG. 5 is a right side view thereof;
FIG. 6 is a left side view thereof;
FIG. 7 is a front view thereof;
FIG. 8 is a rear view thereof;
FIG. 9 is a top view thereof; and,
FIG. 10 is a bottom view thereof.

The broken lines in the figures illustrate portions of the pool cleaner body that form no part of the claimed design.

1 Claim, 10 Drawing Sheets



(56)

References Cited

U.S. PATENT DOCUMENTS

2011/0225747 A1* 9/2011 Stoltz E04H 4/1663
15/1.7
2013/0320858 A1* 12/2013 Deery A47L 9/30
315/129
2017/0159311 A1* 6/2017 Stoltz E04H 4/1672

* cited by examiner

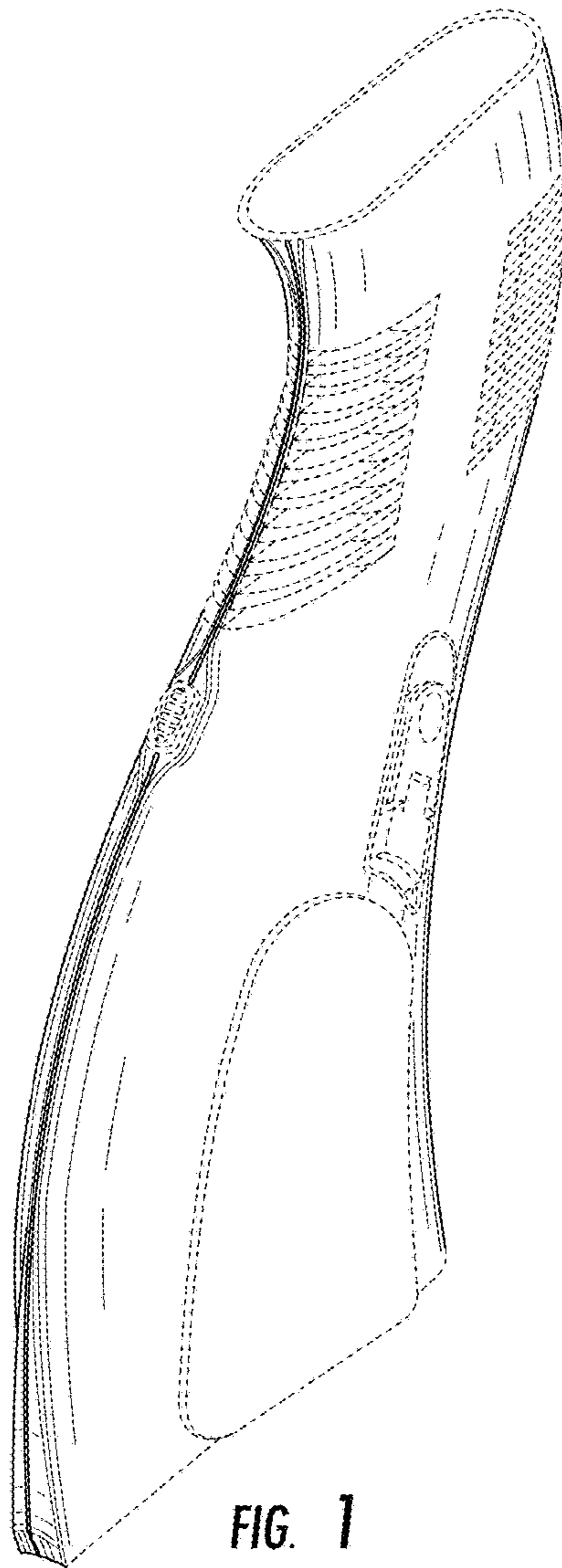


FIG. 1

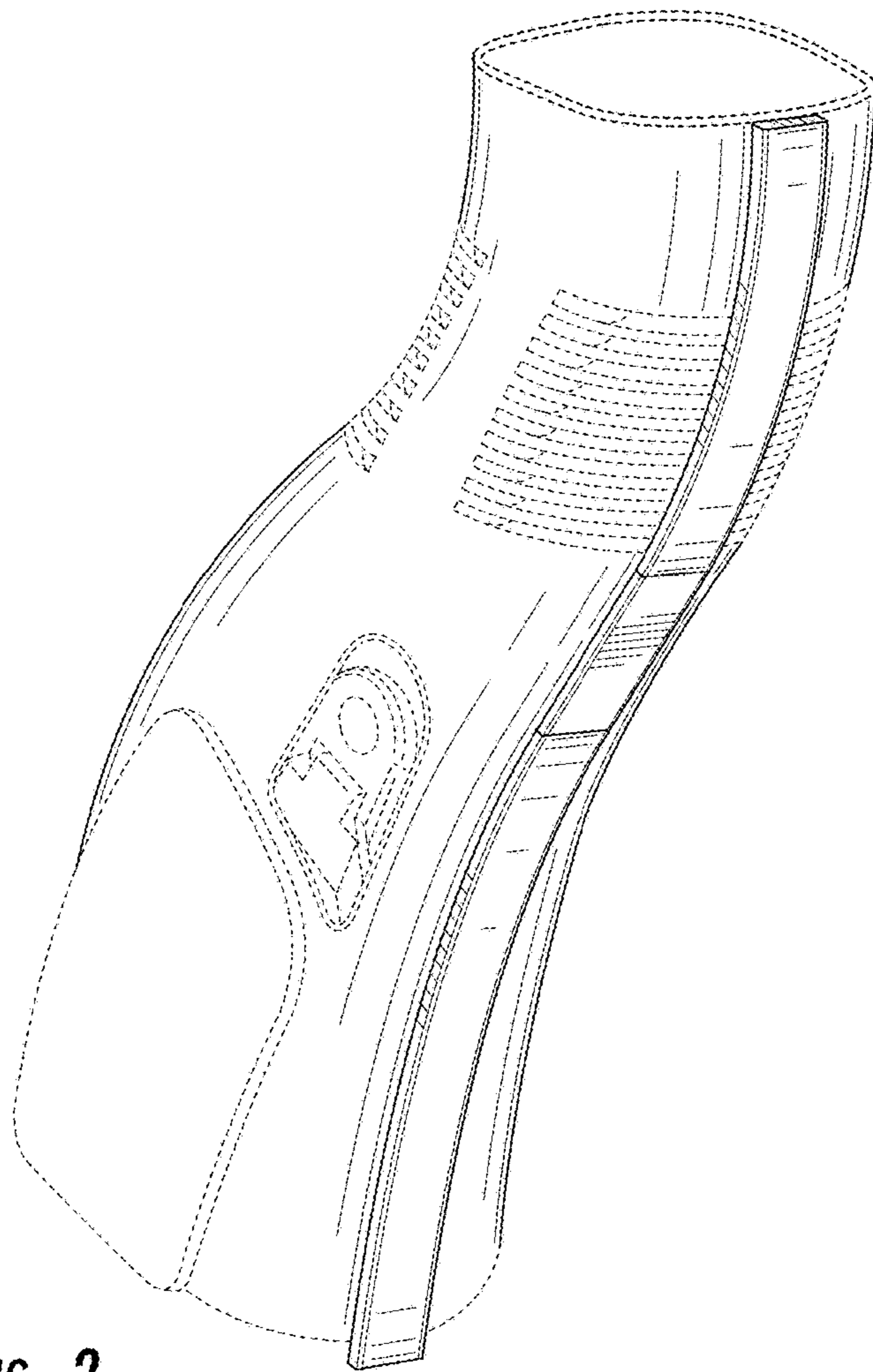


FIG. 2

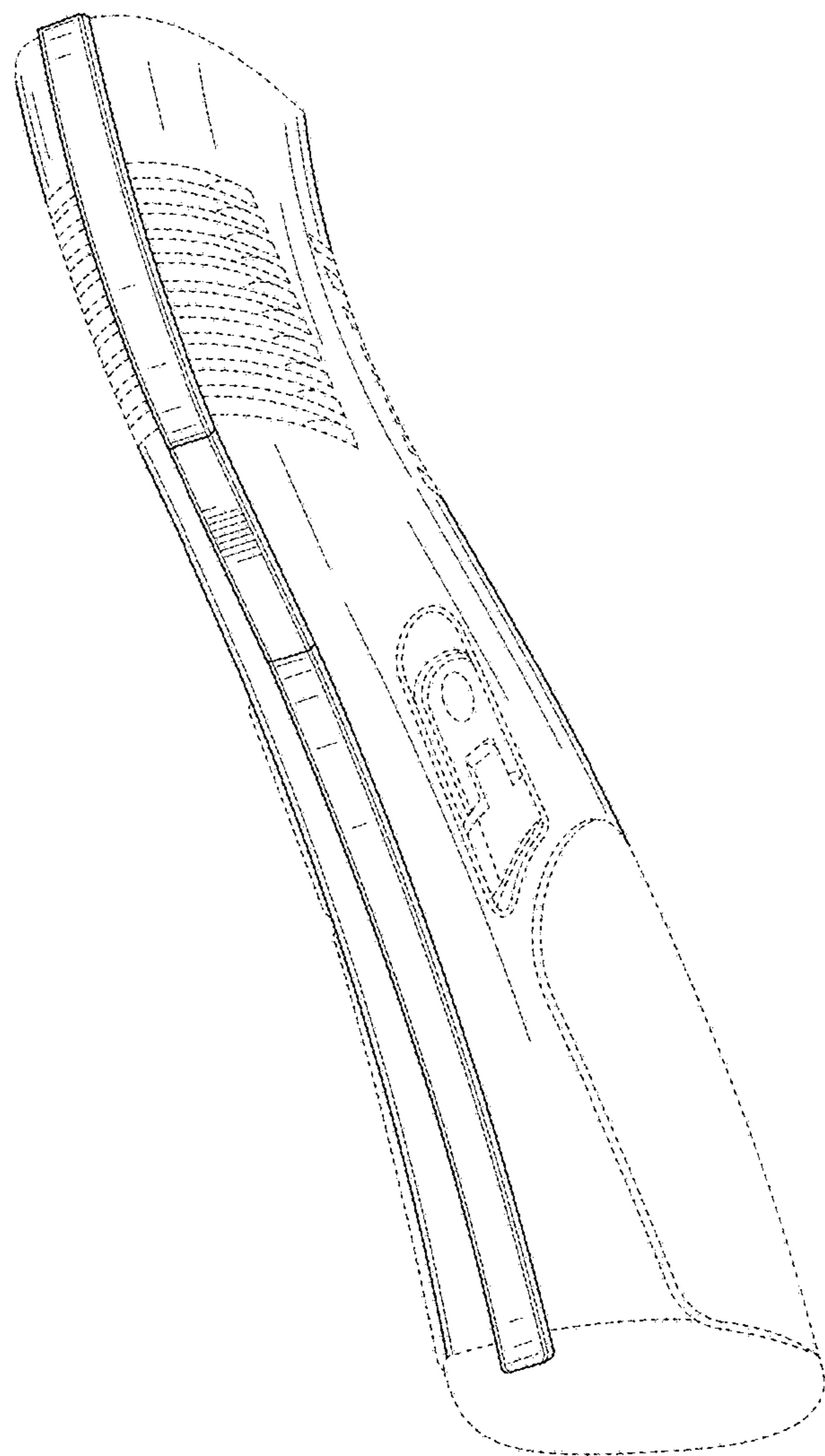


FIG. 3

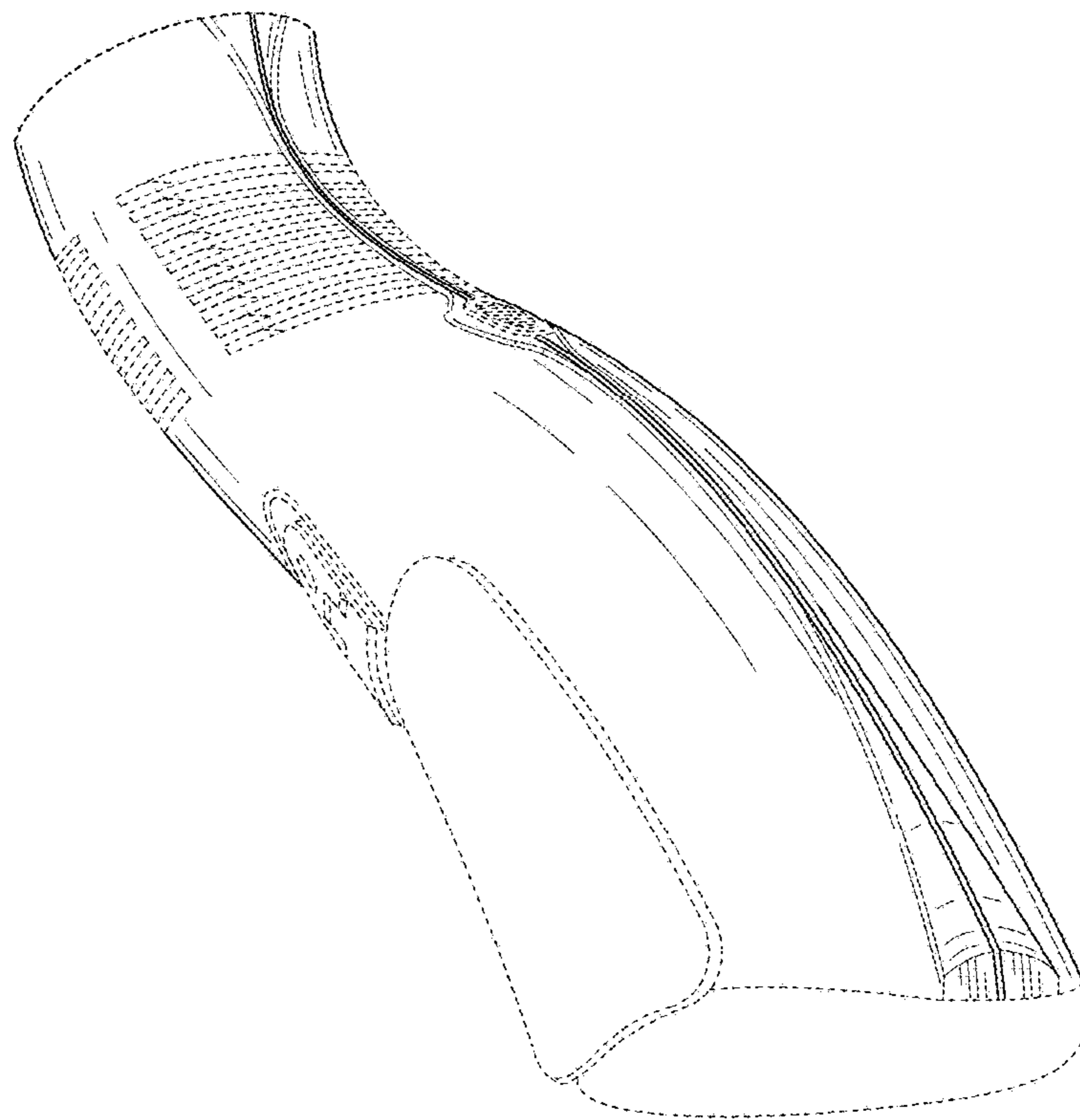


FIG. 4

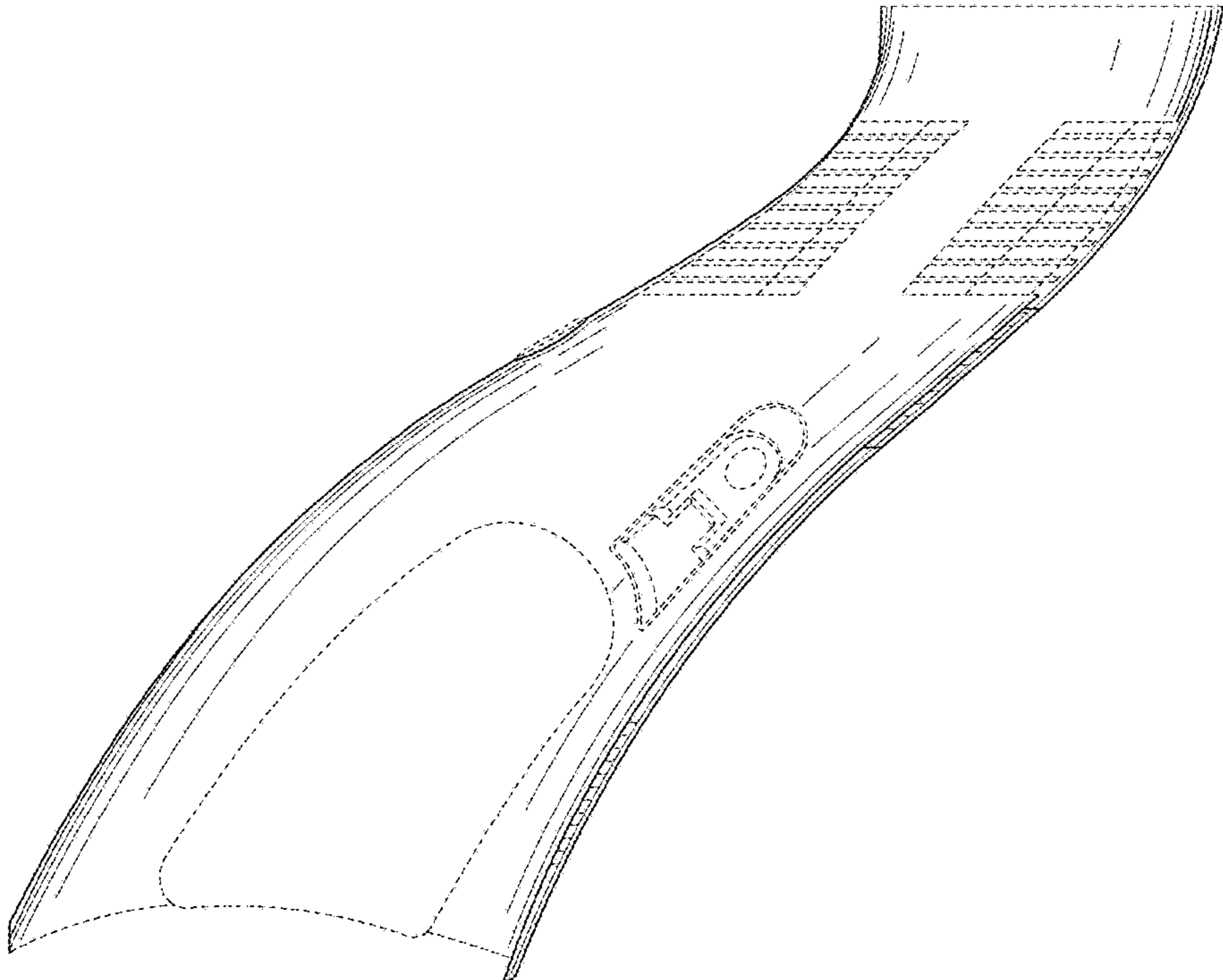


FIG. 5

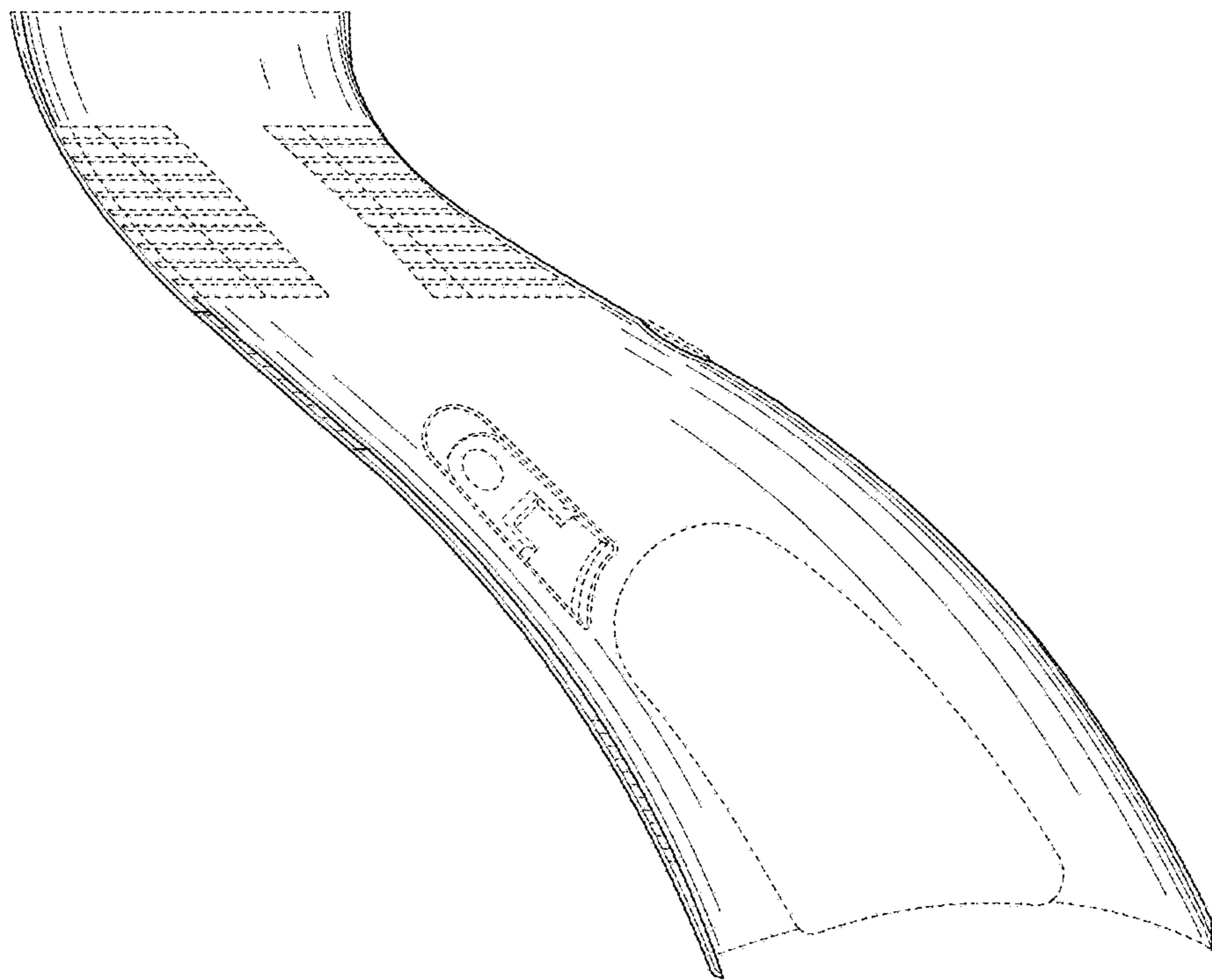


FIG. 6

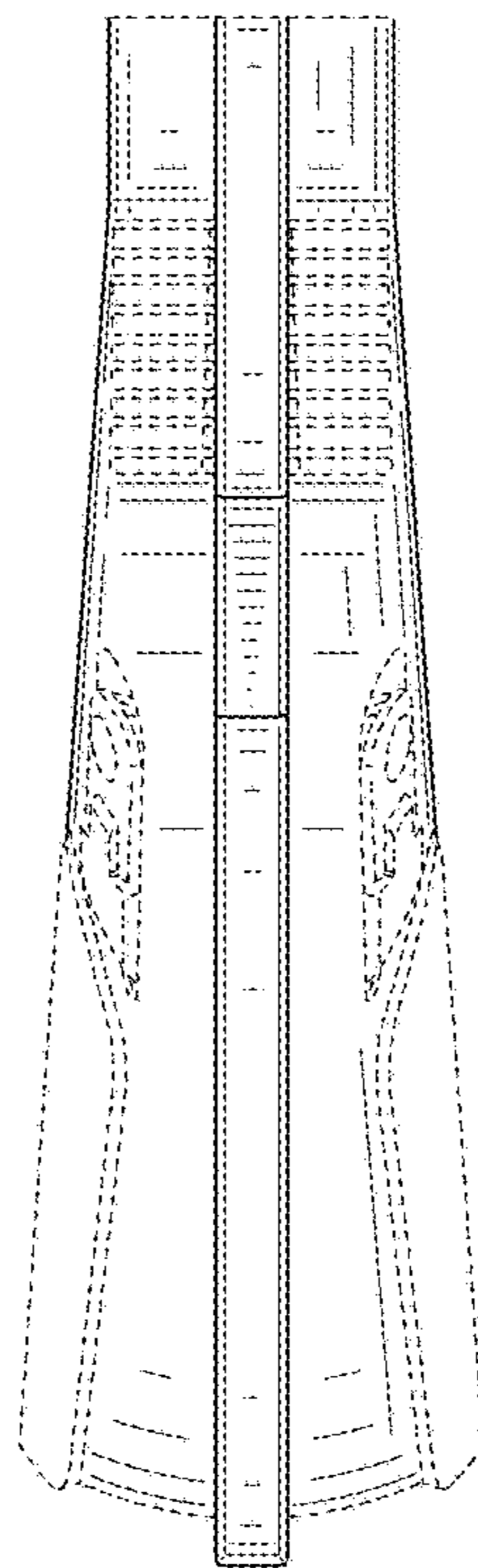


FIG. 7

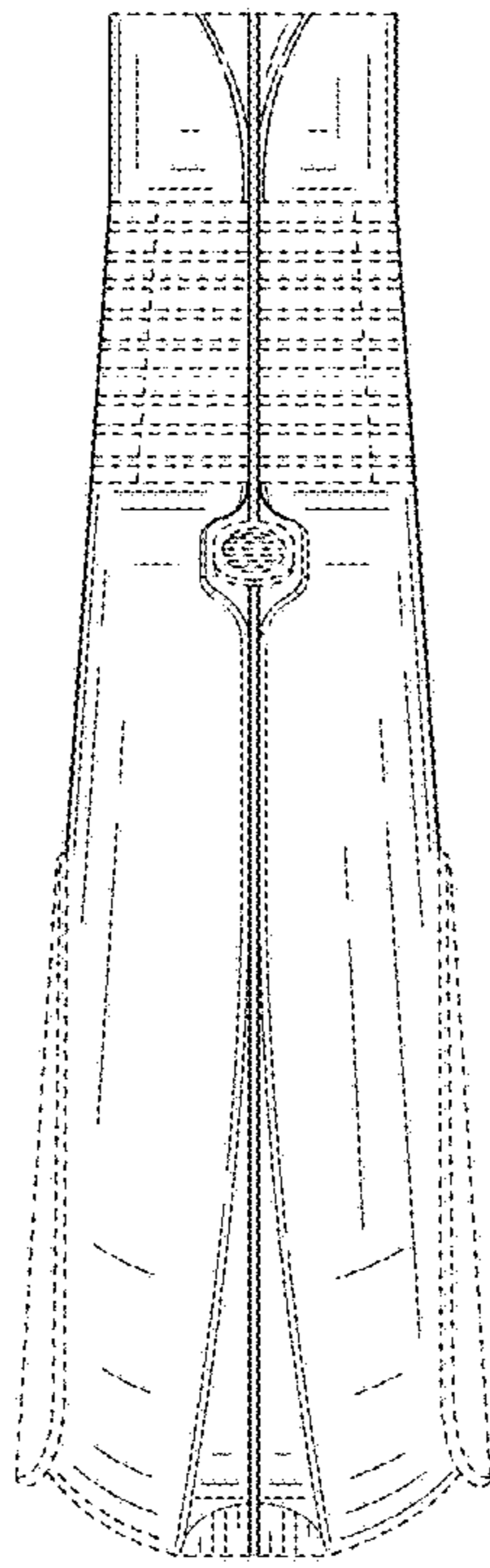


FIG. 8

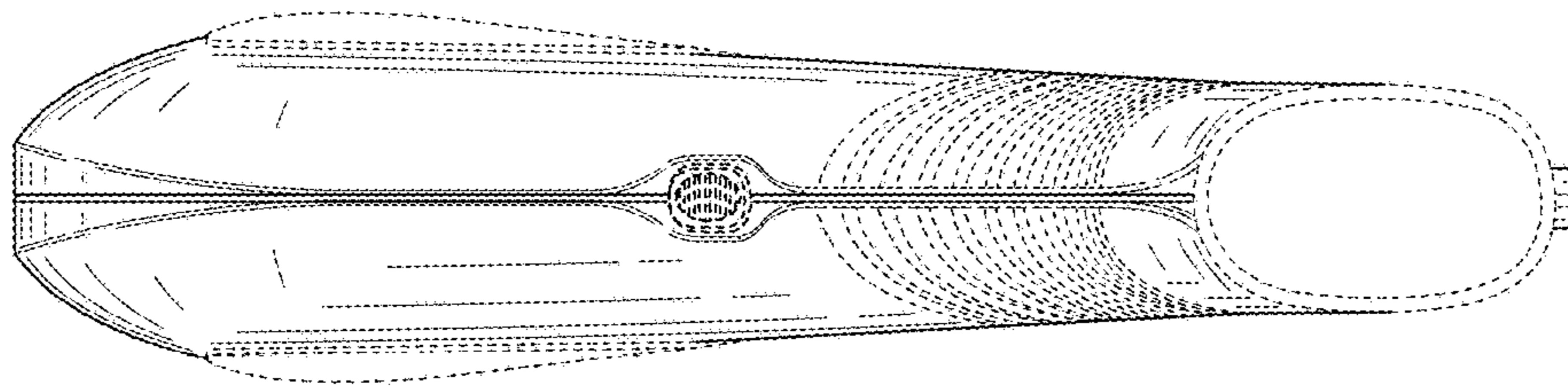


FIG. 9

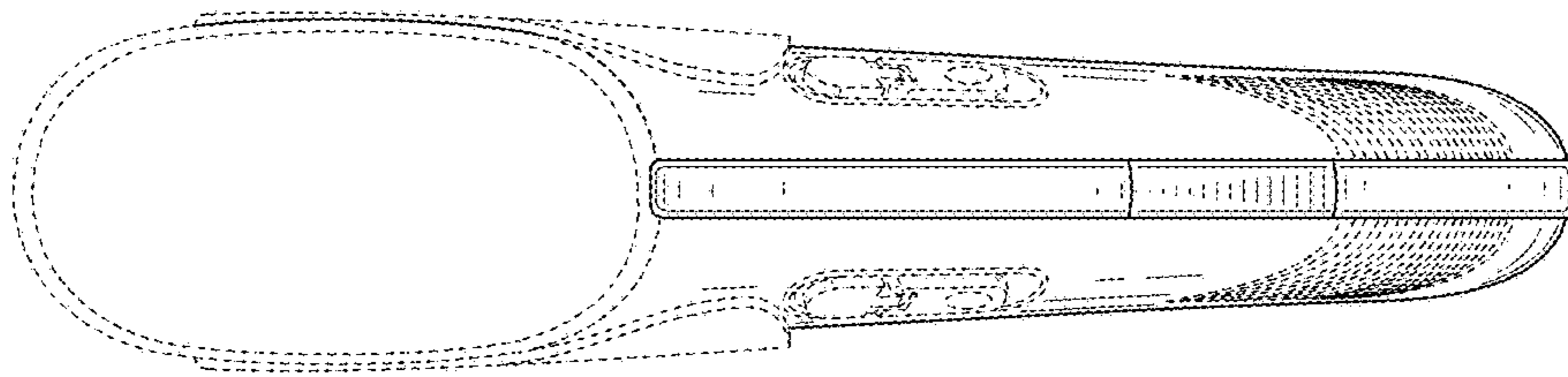


FIG. 10