



US00D854265S

(12) **United States Design Patent**
Wachter et al.

(10) **Patent No.:** **US D854,265 S**
(45) **Date of Patent:** **** Jul. 16, 2019**

- (54) **AXIAL BLOWER**
- (71) Applicant: **BLACK & DECKER INC.**, New Britain, CT (US)
- (72) Inventors: **Thomas Wachter**, Baltimore, MD (US); **Corey Barnett**, Bowie, MD (US)
- (73) Assignee: **Black & Decker, Inc.**, New Britain, CT (US)
- (**) Term: **15 Years**
- (21) Appl. No.: **29/646,745**
- (22) Filed: **May 7, 2018**
- (51) **LOC (11) Cl.** **15-05**
- (52) **U.S. Cl.**
USPC **D32/15; D15/12**
- (58) **Field of Classification Search**
USPC D15/11, 12; D12/2, 231, 340-343;
D32/15, 16, 17, 18, 21, 25, 1, 5, 12;
D23/383, 370, 213; 15/300.1, 344, 345,
15/405, 414-415.1
CPC A47L 5/14; A47L 9/32; F04B 35/04; F04B
17/00
See application file for complete search history.

D526,750 S *	8/2006	Ito	D32/15
D556,395 S *	11/2007	Martin	D32/15
D558,939 S *	1/2008	Yuasa	D32/15
D584,460 S *	1/2009	Sweeney	D32/15
D584,461 S *	1/2009	Sweeney	D32/15
D605,819 S *	12/2009	Tinius	D32/15
D615,716 S *	5/2010	Tinius	D32/15
7,735,188 B2 *	6/2010	Shaffer	E01H 1/0809 15/405
D637,774 S *	5/2011	Li	D32/15
D640,846 S *	6/2011	Tinius	D32/15
D711,056 S *	8/2014	Crawley	D15/12
D711,057 S *	8/2014	Crawley	D15/12
D719,307 S *	12/2014	Carl	D15/12
D729,999 S *	5/2015	Aoi	D15/12
D735,960 S *	8/2015	Zhang	D32/15
D741,917 S *	10/2015	Tinius	D15/15
D742,603 S *	11/2015	Tschopp	D15/12
D746,004 S *	12/2015	Murray	D15/12
D748,876 S *	2/2016	Carl	D15/12

(Continued)

Primary Examiner — Mark A Goodwin
(74) *Attorney, Agent, or Firm* — John Yun

(57) **CLAIM**

The ornamental design for an axial blower, as shown and described.

DESCRIPTION

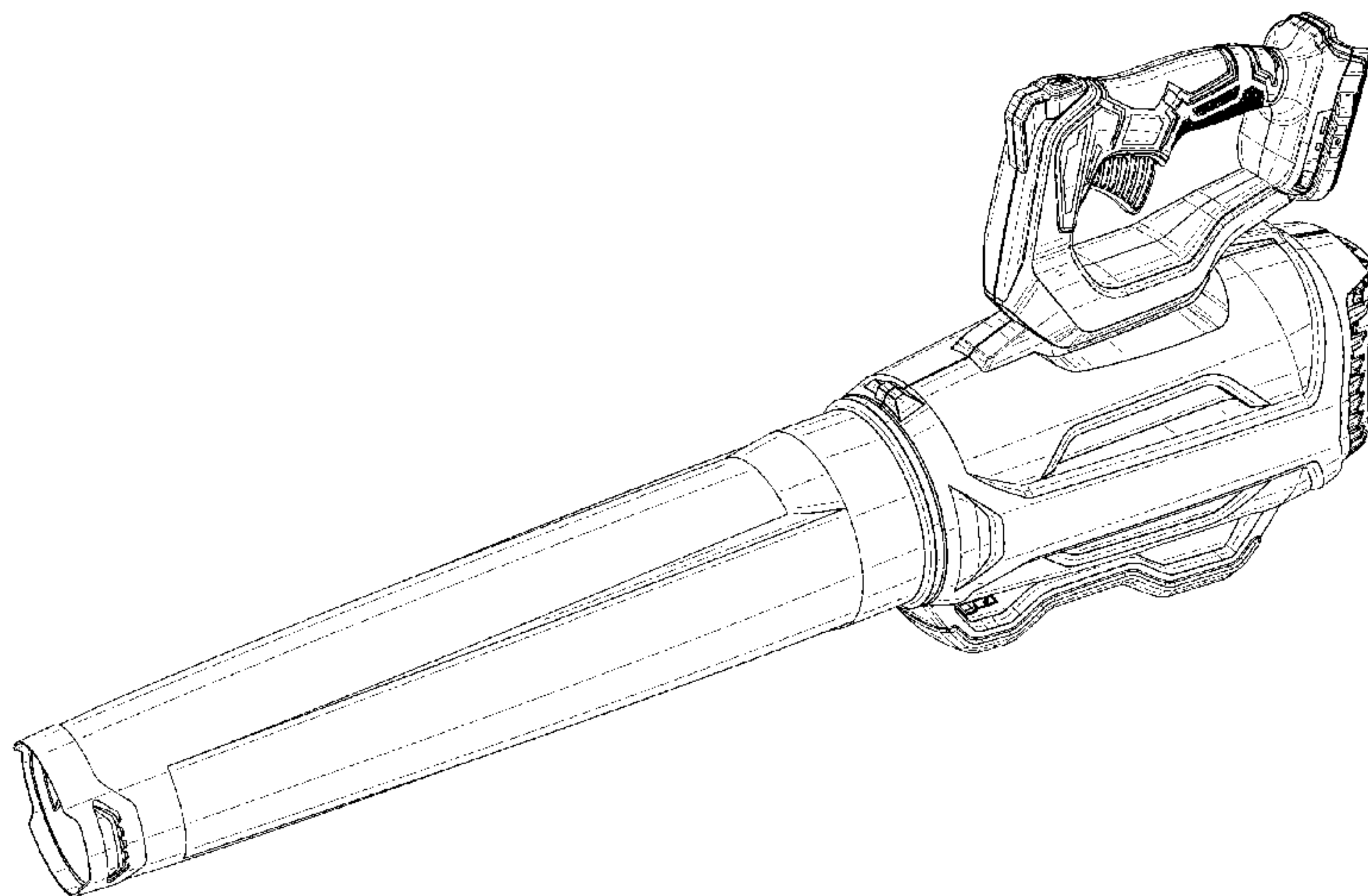
FIG. 1 is a perspective view of an axial blower showing our new design;
FIG. 2 is a front view thereof
FIG. 3 is a rear view thereof;
FIG. 4 is a right side view thereof;
FIG. 5 is a left side view thereof;
FIG. 6 is a top plan view thereof; and,
FIG. 7 is a bottom plan view thereof.
In the above drawings, the broken lines and the areas within the broken lines form no part of the claimed design.

1 Claim, 6 Drawing Sheets

(56) **References Cited**

U.S. PATENT DOCUMENTS

D304,510 S *	11/1989	Baker	D32/15
D358,912 S *	5/1995	Baker	D32/15
D368,341 S *	3/1996	Pink	D32/15
D400,322 S *	10/1998	Webster	D32/15
D416,360 S *	11/1999	Enkyo	D32/15
D426,354 S *	6/2000	Ohi	D32/15
D431,697 S *	10/2000	Hayakawa	D32/15
D473,024 S *	4/2003	Griffin	D32/15
D498,885 S *	11/2004	Robson	D32/15
6,834,413 B2 *	12/2004	Sanders	A47L 5/14 15/405



(56)

References Cited

U.S. PATENT DOCUMENTS

D748,877	S *	2/2016	Tirone	D15/12
D812,825	S *	3/2018	Smith	D32/15
D834,270	S *	11/2018	Naslund	D32/15
D834,271	S *	11/2018	Naslund	D32/15
2008/0127448	A1 *	6/2008	Kremsler	A47L 5/14 15/330
2008/0152487	A1 *	6/2008	Shaffer	F04D 25/084 415/208.1
2012/0138717	A1 *	6/2012	Svoboda	E01H 1/0809 241/56
2013/0239357	A1 *	9/2013	Hoffman	B65H 75/42 15/323

* cited by examiner

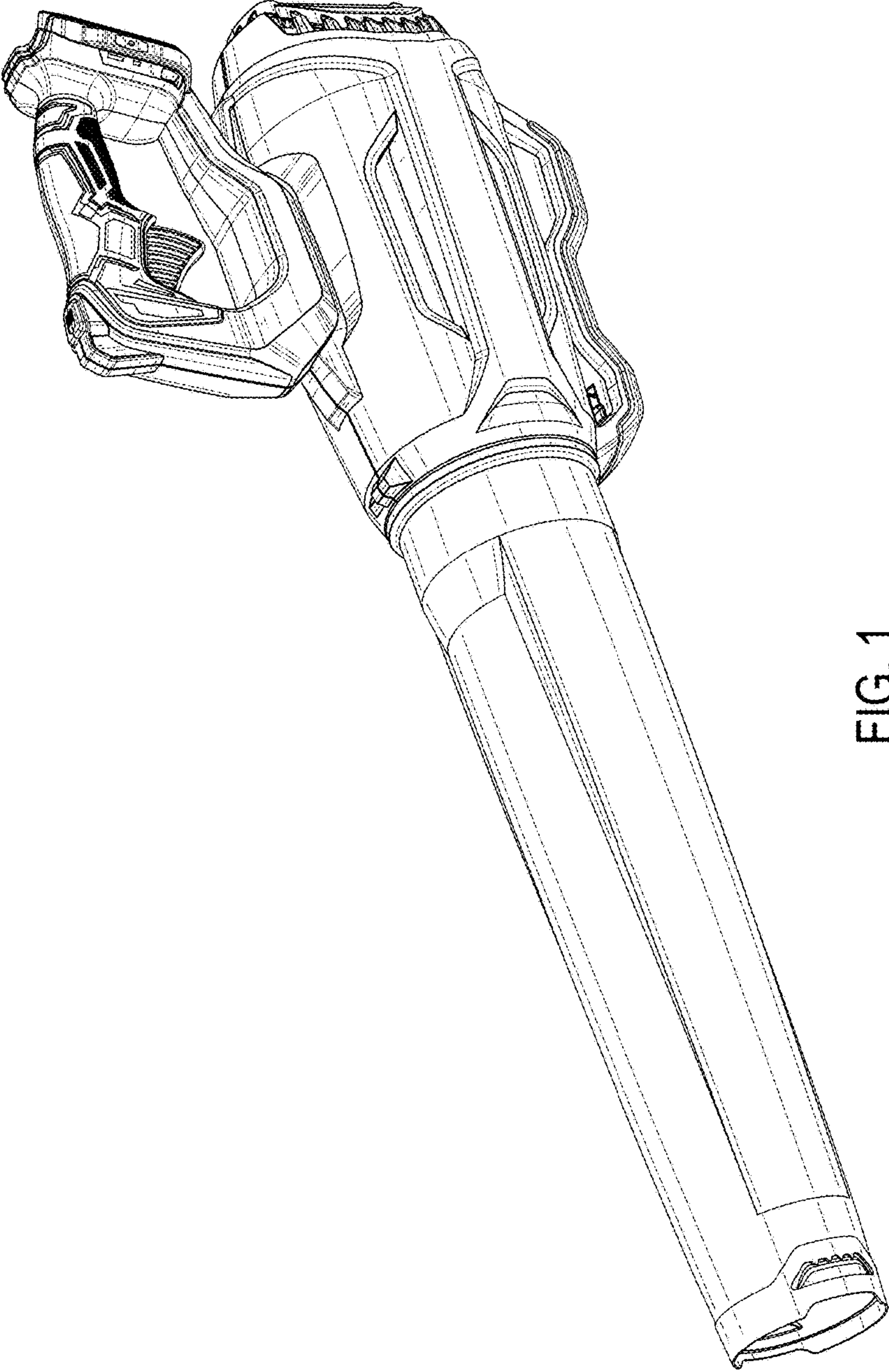


FIG. 1

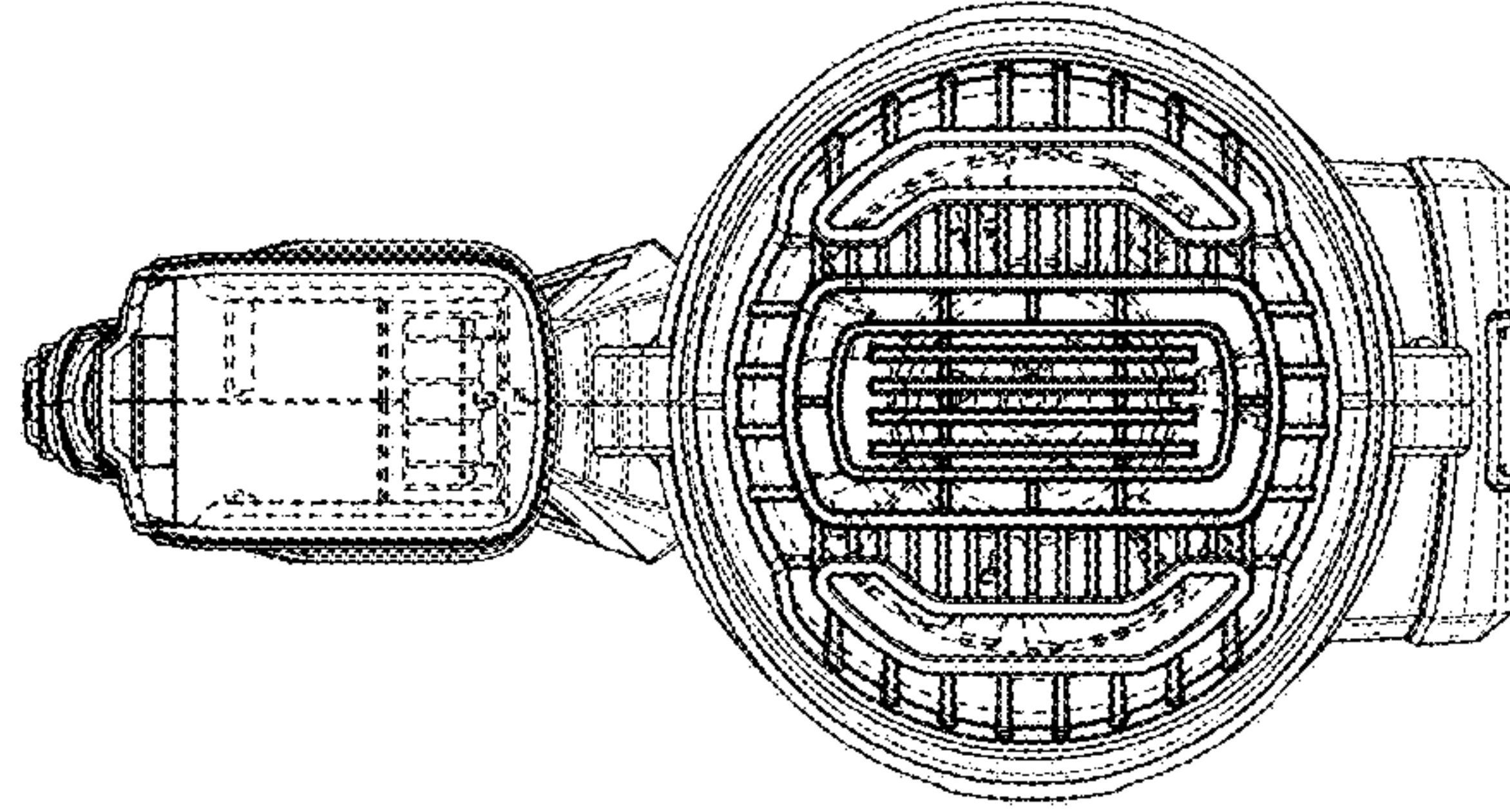


FIG. 3

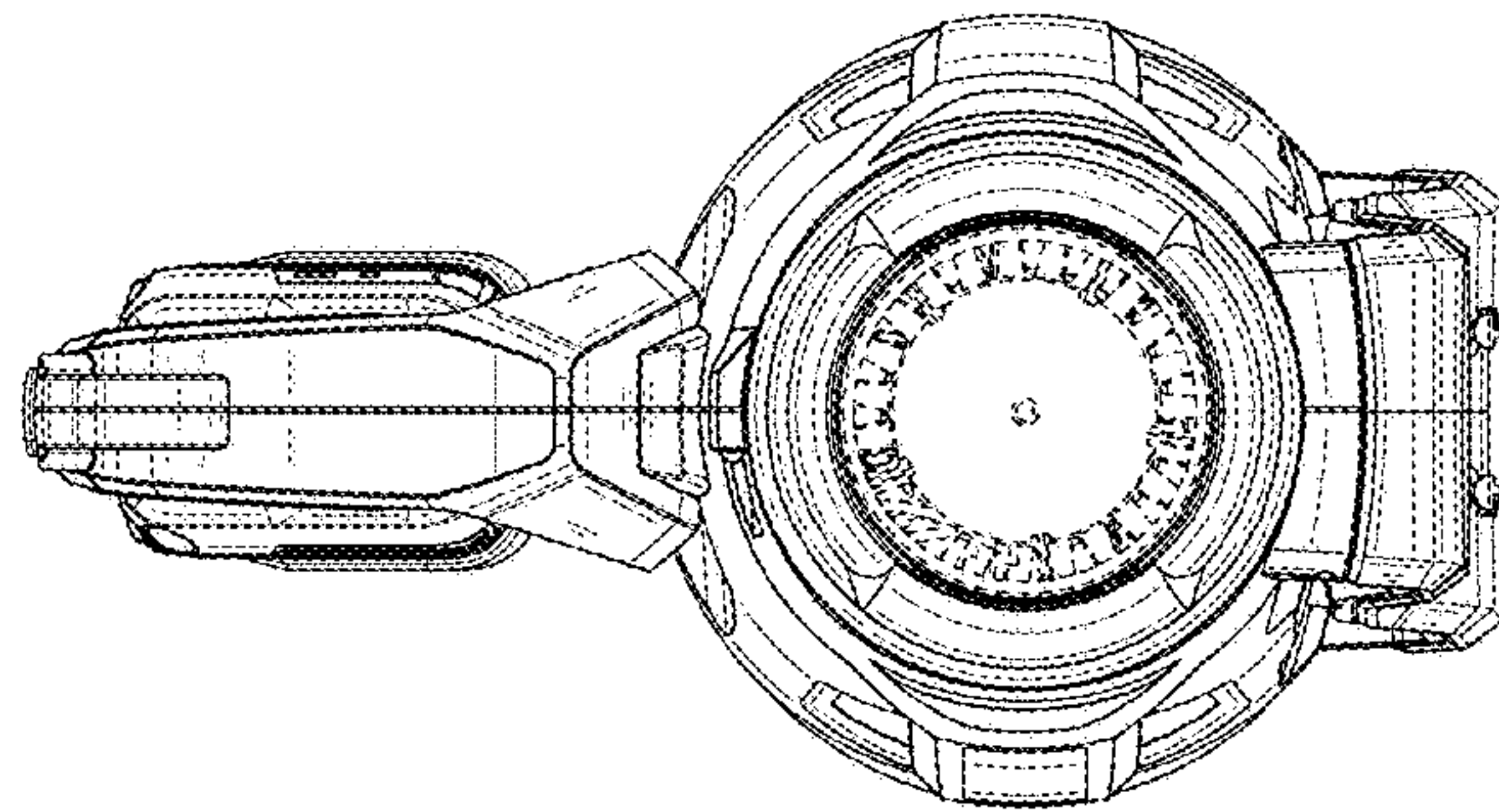


FIG. 2

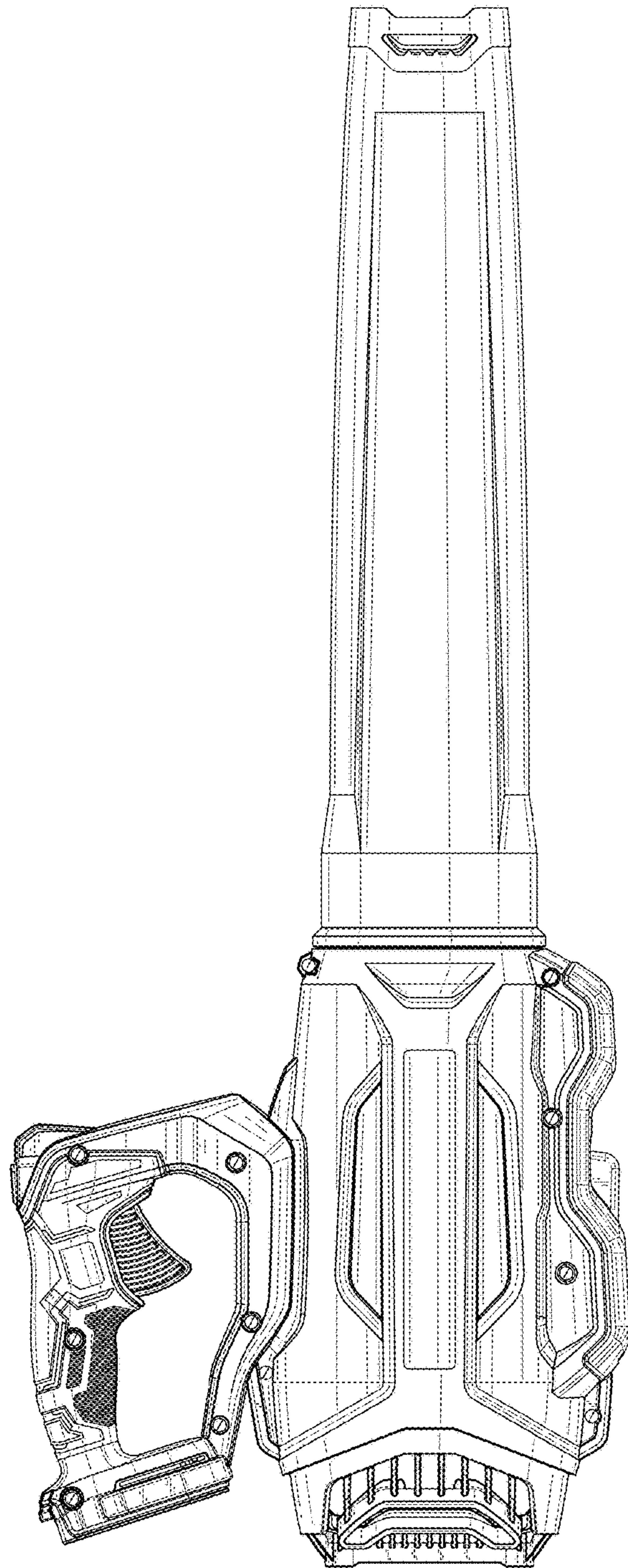


FIG. 4

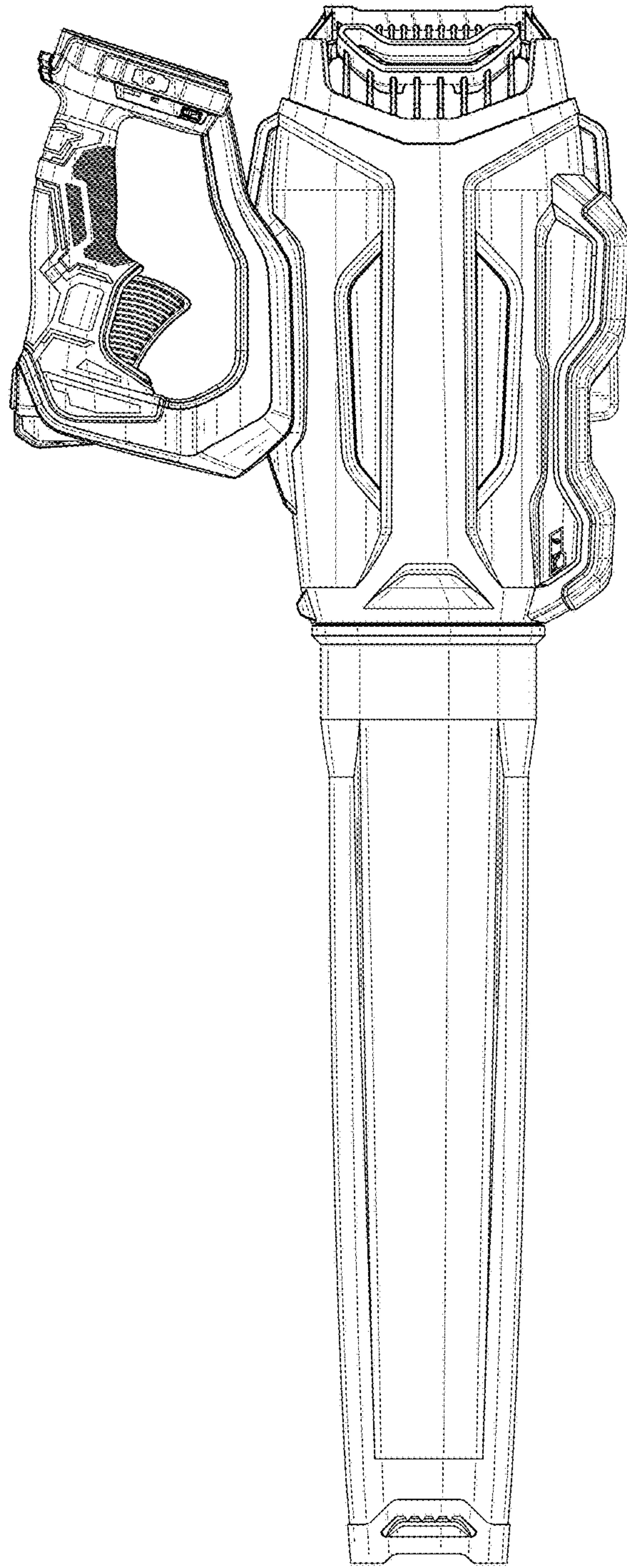


FIG. 5

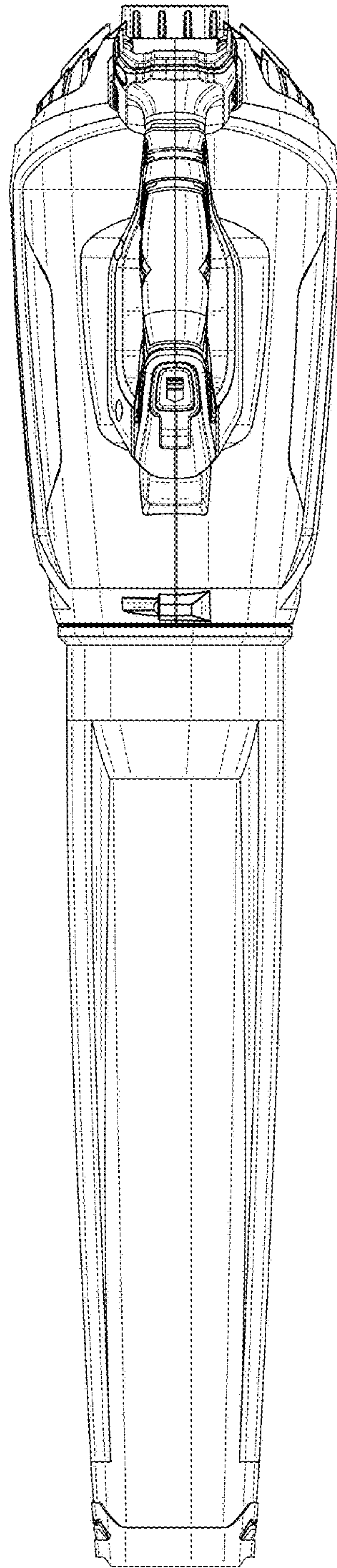


FIG. 6

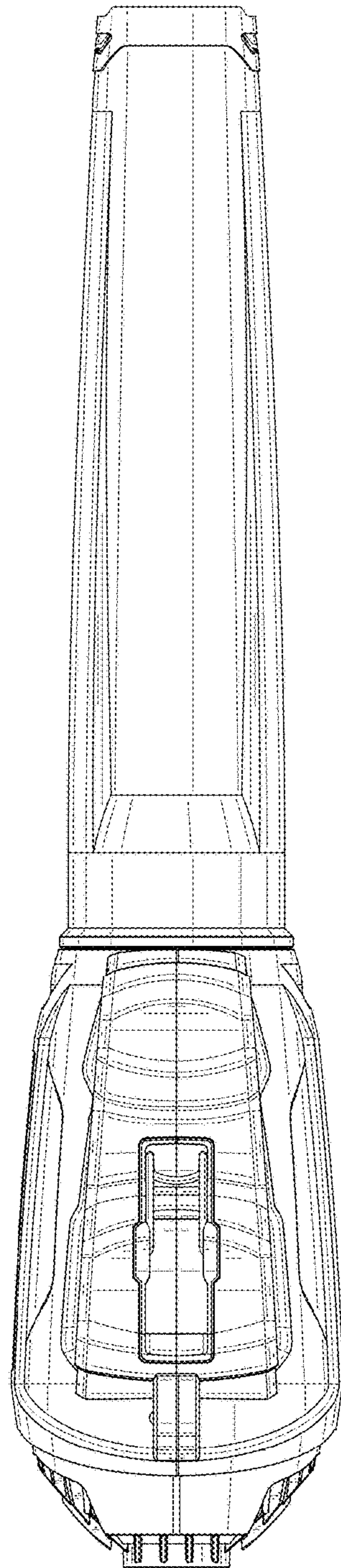


FIG. 7