



US00D854264S

(12) **United States Design Patent**
Tucker

(10) **Patent No.:** **US D854,264 S**

(45) **Date of Patent:** **** Jul. 16, 2019**

- (54) **BLOWER**
- (71) Applicant: **Nanjing Chervon Industry Co., Ltd.,**
Nanjing (CN)
- (72) Inventor: **Dane Tucker,** Grand Rapids, MI (US)
- (73) Assignee: **Nanjing Chervon Industry Co., Ltd.,**
Nanjing (CN)
- (**) Term: **15 Years**
- (21) Appl. No.: **29/640,355**
- (22) Filed: **Mar. 14, 2018**
- (30) **Foreign Application Priority Data**

D498,885 S *	11/2004	Robson	D32/15
6,834,413 B2 *	12/2004	Sanders	A47L 5/14
				15/405
D526,750 S *	8/2006	Ito	D32/15
D556,395 S *	11/2007	Martin	D32/15
D558,939 S *	1/2008	Yuasa	D32/15
D584,460 S *	1/2009	Sweeney	D32/15
D584,461 S *	1/2009	Sweeney	D32/15
D605,819 S *	12/2009	Tinius	D32/15
D615,716 S *	5/2010	Tinius	D32/15
7,735,188 B2 *	6/2010	Shaffer	E01H 1/0809
				15/405
D637,774 S *	5/2011	Li	D32/15
D640,846 S *	6/2011	Tinius	D32/15
D711,056 S *	8/2014	Crawley	D15/12
D711,057 S *	8/2014	Crawley	D15/12
D719,307 S *	12/2014	Carl	D15/12
D729,999 S *	5/2015	Aoi	D15/12
D735,960 S *	8/2015	Zhang	D32/15

(Continued)

Sep. 19, 2017 (CN) 2017 3 0444184

- (51) **LOC (11) Cl.** **15-05**
- (52) **U.S. Cl.**
USPC **D32/15; D15/12**
- (58) **Field of Classification Search**
USPC D15/11, 12; D12/2, 231, 340-343;
D32/15, 16, 17, 18, 21, 25, 1, 5, 12;
D23/383, 370, 213; 15/300.1, 344, 345,
15/405, 414-415.1
CPC A47L 5/14; A47L 9/32; F04B 35/04; F04B
17/00
See application file for complete search history.

Primary Examiner — Mark A Goodwin

(74) *Attorney, Agent, or Firm* — Greenberg Traurig, LLP

(57) **CLAIM**

What is claimed is the ornamental design for a blower, as shown and described.

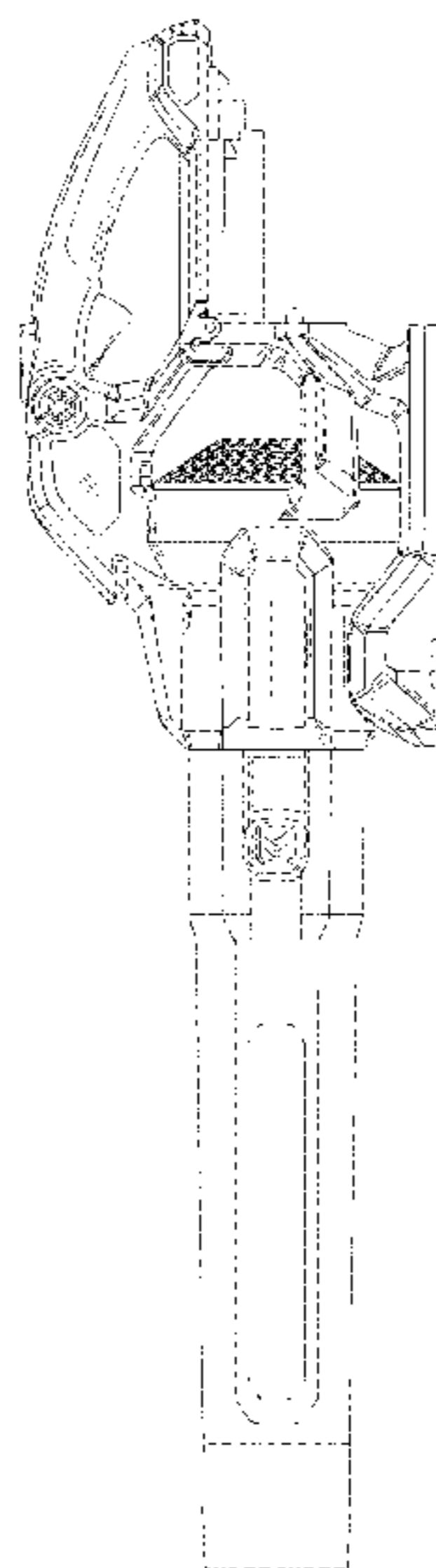
DESCRIPTION

FIG. 1 is a left side elevational view of a blower showing my new design;
 FIG. 2 is a right side elevational view thereof;
 FIG. 3 is a top plan view thereof;
 FIG. 4 is a bottom plan view thereof;
 FIG. 5 is a rear side elevational view thereof;
 FIG. 6 is a front side elevational view thereof; and,
 FIG. 7 is a perspective view thereof.
 Any elements shown in dotted and/or dashed lines are provided for illustrative purposes only and form no part of the design claimed. Any surface shading is used solely to show the character or contour of the surfaces represented.

(56) **References Cited**
 U.S. PATENT DOCUMENTS

D304,510 S *	11/1989	Baker	D32/15
D358,912 S *	5/1995	Baker	D32/15
D368,341 S *	3/1996	Pink	D32/15
D400,322 S *	10/1998	Webster	D32/15
D416,360 S *	11/1999	Enkyo	D32/15
D426,354 S *	6/2000	Ohi	D32/15
D431,697 S *	10/2000	Hayakawa	D32/15
D473,024 S *	4/2003	Griffin	D32/15

1 Claim, 7 Drawing Sheets



(56)

References Cited

U.S. PATENT DOCUMENTS

D741,917 S * 10/2015 Tinius D15/15
D742,603 S * 11/2015 Tschopp D15/12
D746,004 S * 12/2015 Murray D15/12
D748,876 S * 2/2016 Carl D15/12
D748,877 S * 2/2016 Tirone D15/12
D812,825 S * 3/2018 Smith D32/15
D834,270 S * 11/2018 Naslund D32/15
D834,271 S * 11/2018 Naslund D32/15
2008/0127448 A1* 6/2008 Kreamler A47L 5/14
15/330
2008/0152487 A1* 6/2008 Shaffer F04D 25/084
415/208.1
2012/0138717 A1* 6/2012 Svoboda E01H 1/0809
241/56
2013/0239357 A1* 9/2013 Hoffman B65H 75/42
15/323

* cited by examiner

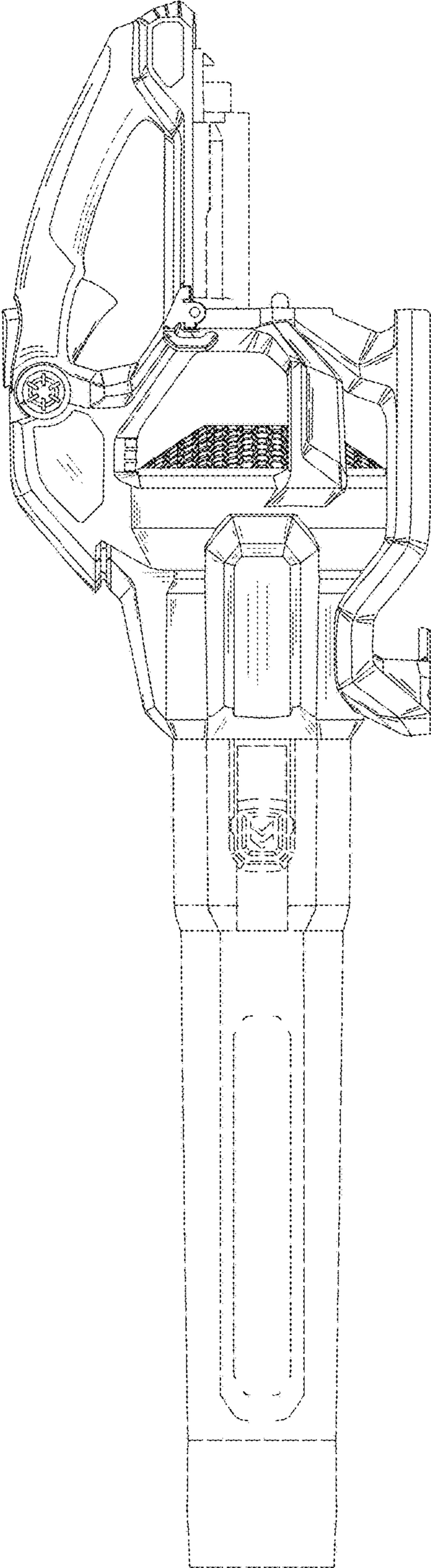


Fig. 1

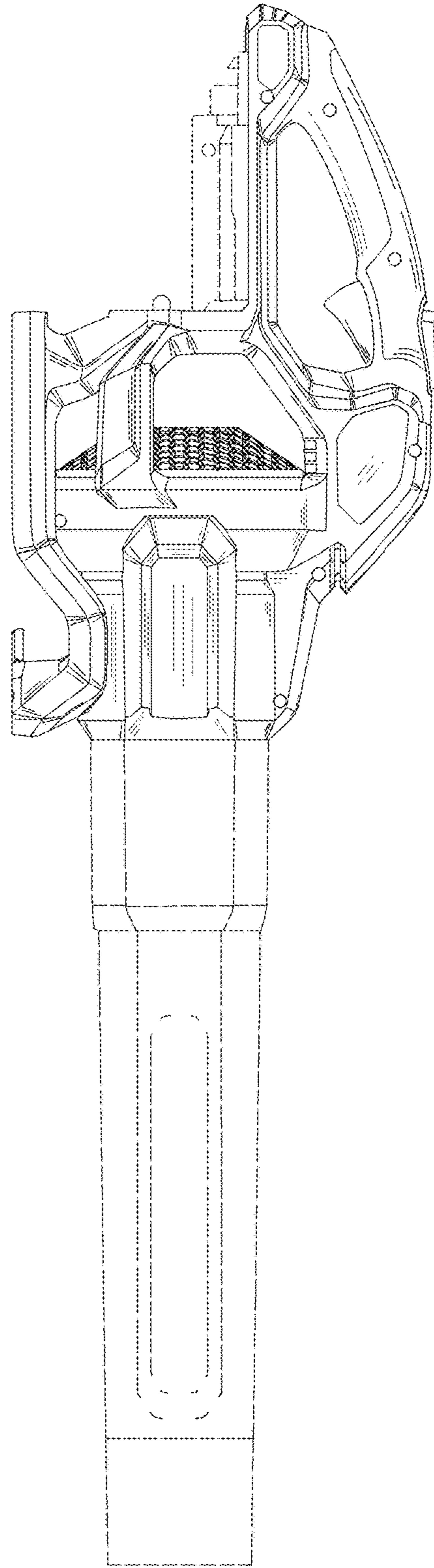


Fig. 2

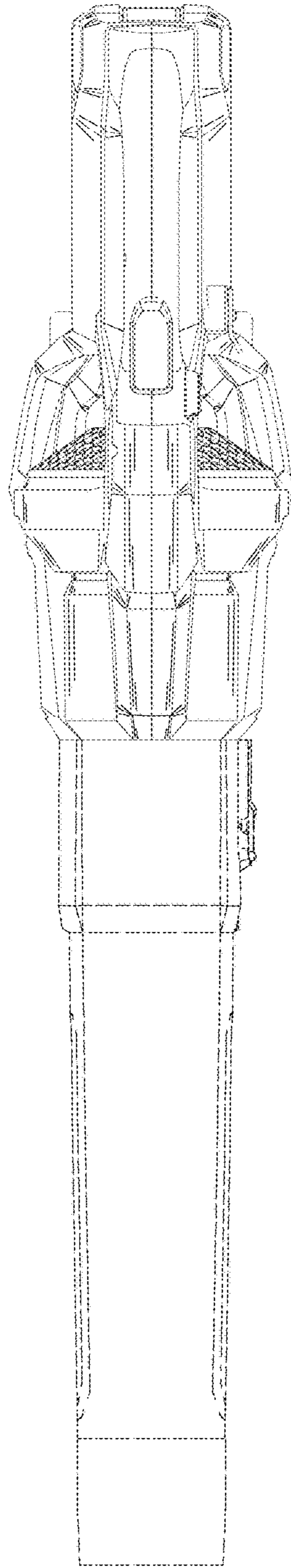


Fig. 3

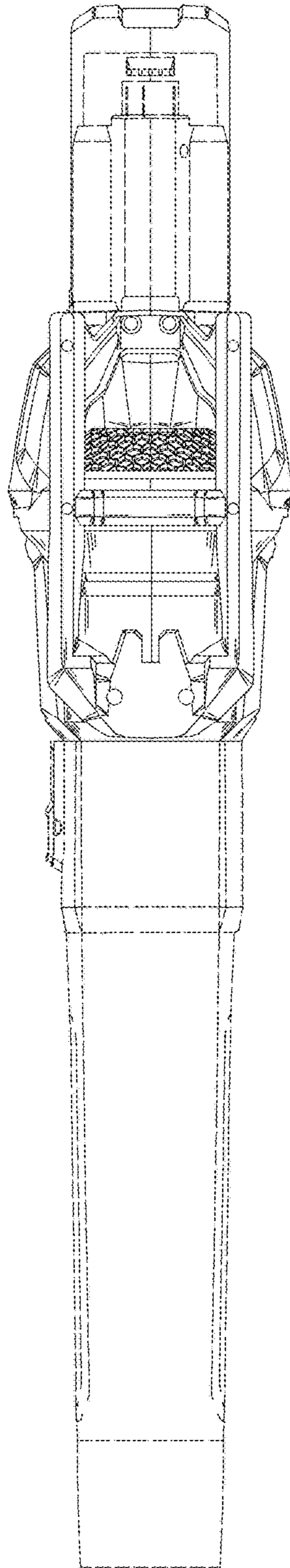


Fig. 4

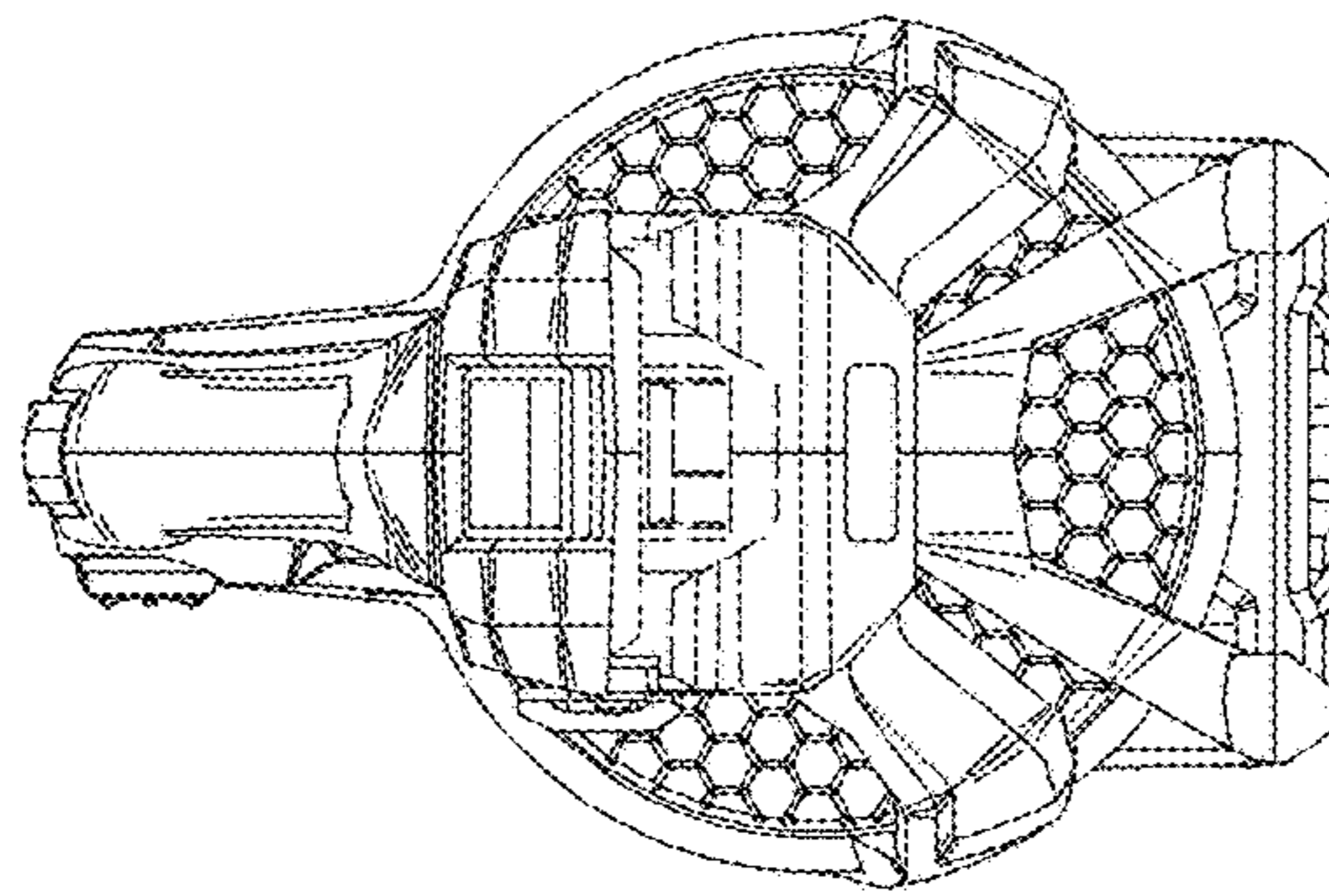


Fig. 5

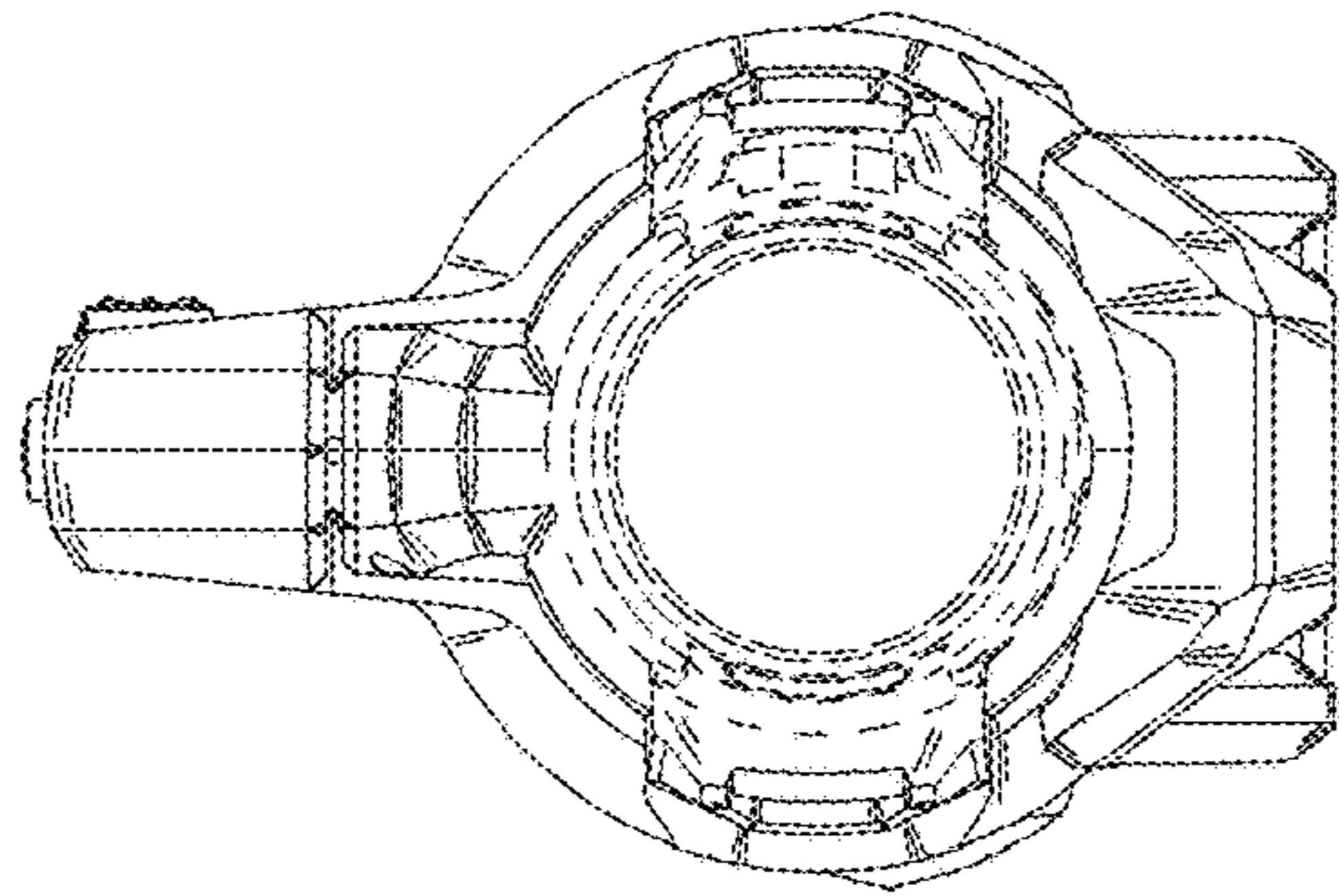


Fig. 6

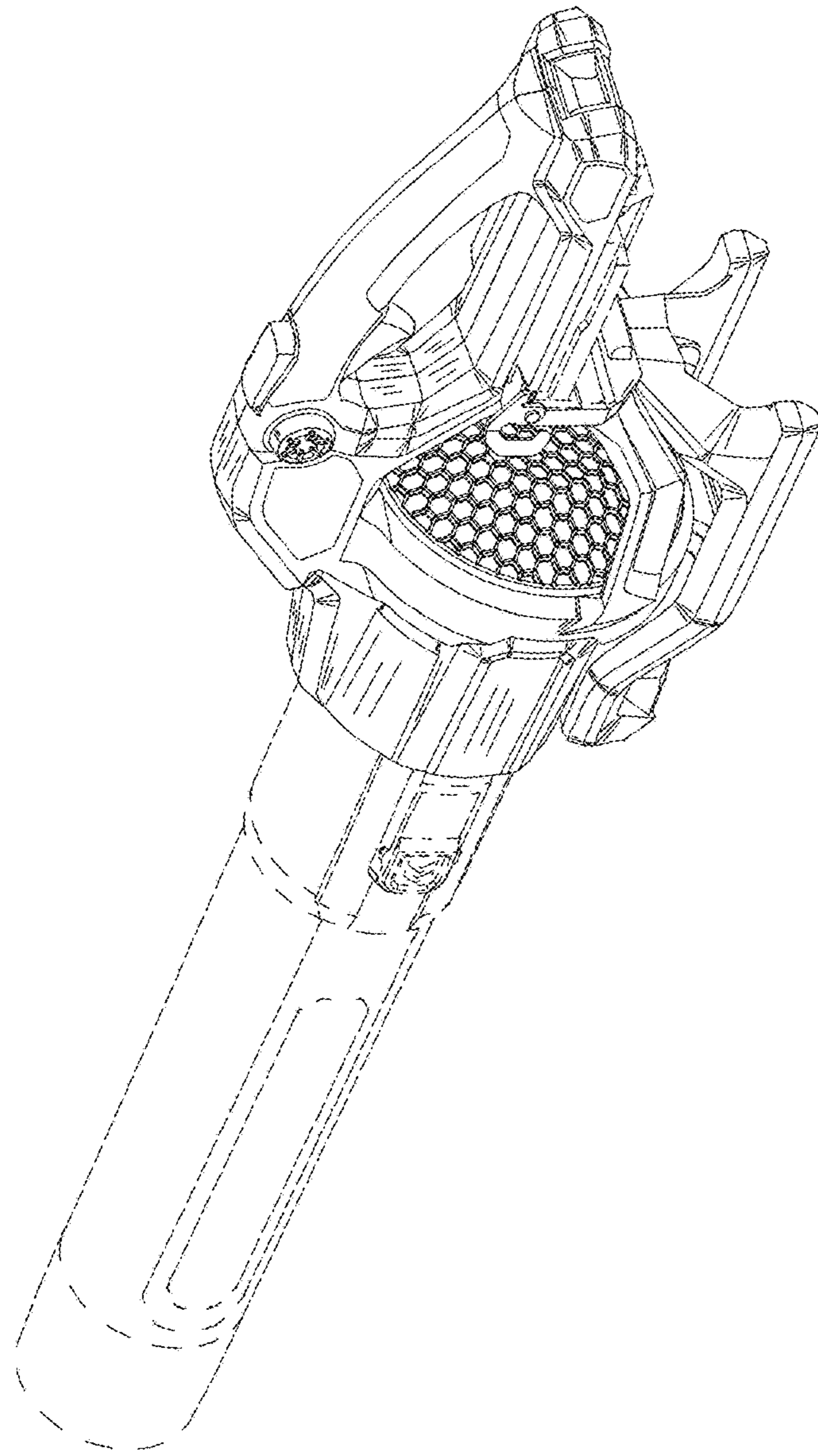


Fig. 7