



US00D854263S

(12) **United States Design Patent**  
**Le Drappier**

(10) **Patent No.:** **US D854,263 S**

(45) **Date of Patent:** **\*\* Jul. 16, 2019**

(54) **HORN REMOVER FOR ANIMALS**

(71) Applicant: **GUILBERT EXPRESS,**  
Fontenay-Sous-Bois (FR)

(72) Inventor: **Christophe Le Drappier,** Pantin (FR)

(\*\*) Term: **15 Years**

(21) Appl. No.: **35/504,757**

(22) Filed: **Jan. 25, 2018**

(80) **Hague Agreement Data**

Int. Filing Date: **Jan. 25, 2018**  
Int. Reg. No.: **DM/100500**  
Int. Reg. Date: **Jan. 25, 2018**  
Int. Reg. Pub. Date: **Apr. 20, 2018**

(51) **LOC (11) Cl.** ..... **30-99**

(52) **U.S. Cl.**  
USPC ..... **D30/199**  
CPC ..... **A01K 17/00** (2013.01)

(58) **Field of Classification Search**  
USPC ..... D30/158, 199; 30/92, 93, 95, 180, 228,  
30/274; 606/163; 119/174  
CPC ..... A61B 17/36; B26B 15/00; A01K 17/00  
See application file for complete search history.

(56) **References Cited**

**U.S. PATENT DOCUMENTS**

2,288,464 A \* 6/1942 Kitchener ..... A01K 17/00  
219/239  
2,763,762 A \* 9/1956 Jepson ..... A01K 17/00  
219/231

4,089,336 A \* 5/1978 Cage ..... A61B 18/08  
219/233  
4,198,957 A \* 4/1980 Cage ..... A61B 18/08  
219/241  
4,560,101 A \* 12/1985 Wilhelmson ..... B23K 1/018  
228/54  
4,798,934 A \* 1/1989 Boyer ..... B23K 3/0346  
16/431  
6,726,683 B1 \* 4/2004 Shaw ..... A61B 17/32  
219/233  
D610,754 S \* 2/2010 White ..... D30/158

**OTHER PUBLICATIONS**

<http://www.agriexpo.online/prod/express-farming/product-171975-66590.html> (Year: 2019).\*

\* cited by examiner

*Primary Examiner* — Richard E Chilcot

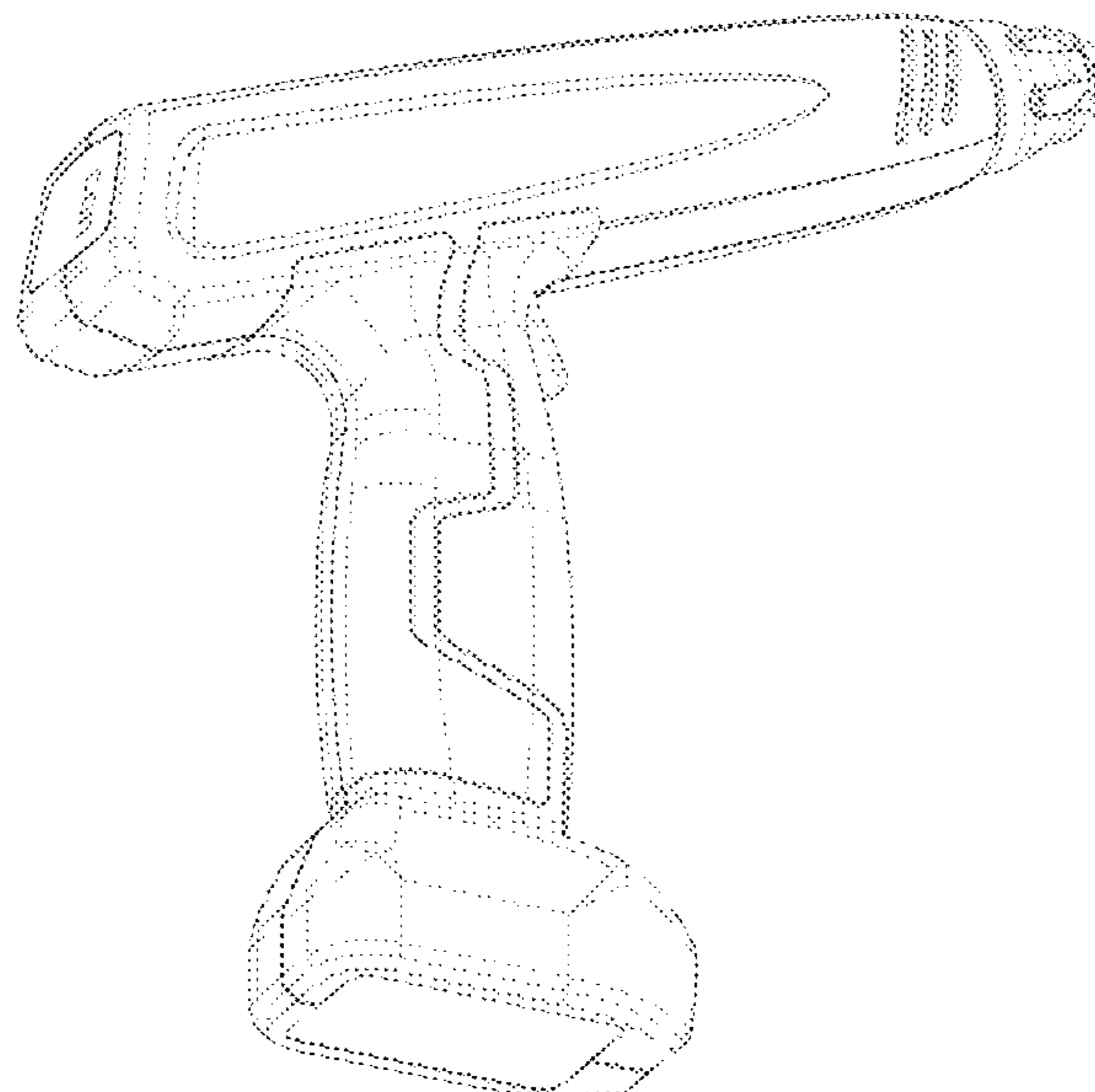
(57) **CLAIM**

The ornamental design for a horn remover for animals, as shown and described.

**DESCRIPTION**

- 1. Horn remover for animals
- 1.1 : Perspective
- 1.2 : Front
- 1.3 : Back
- 1.4 : Left
- 1.5 : Right
- 1.6 : Top
- 1.7 : Bottom
- 1.8 : Perspective

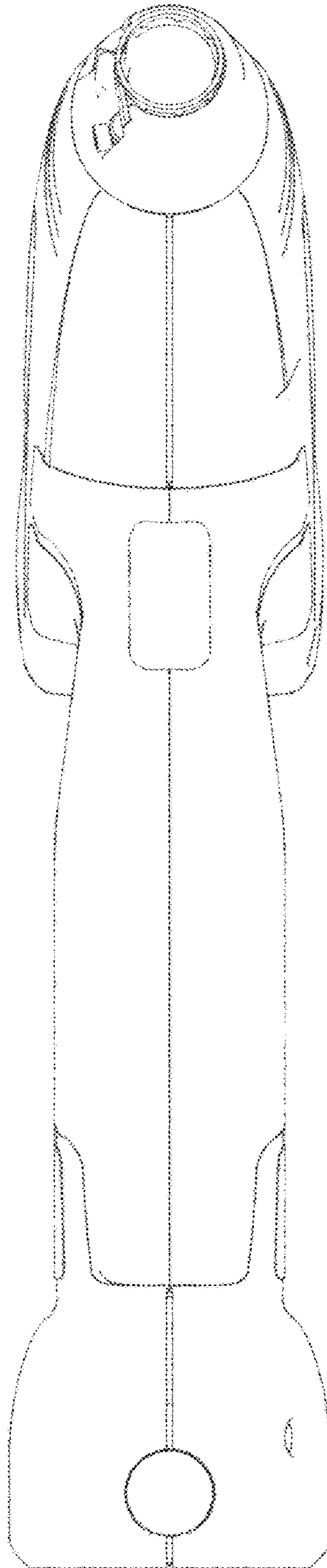
**1 Claim, 8 Drawing Sheets**



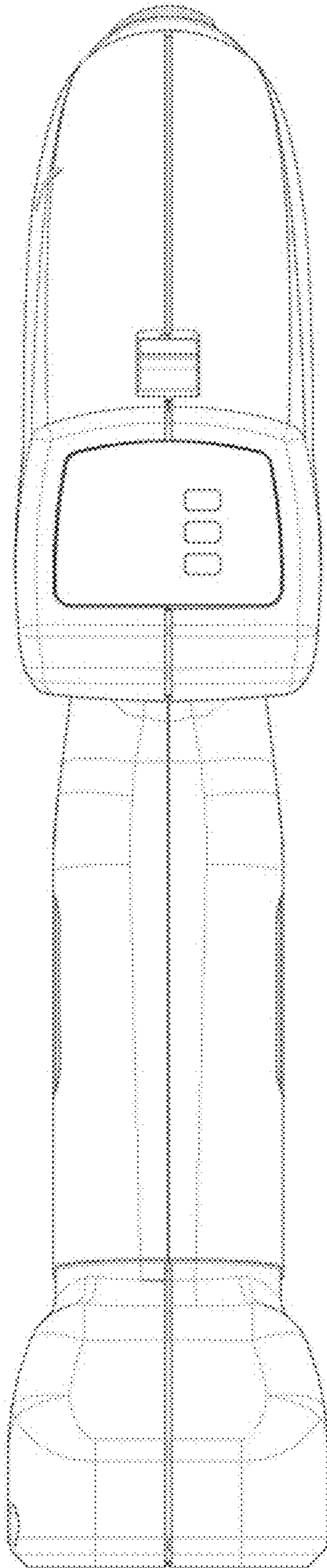
1.1



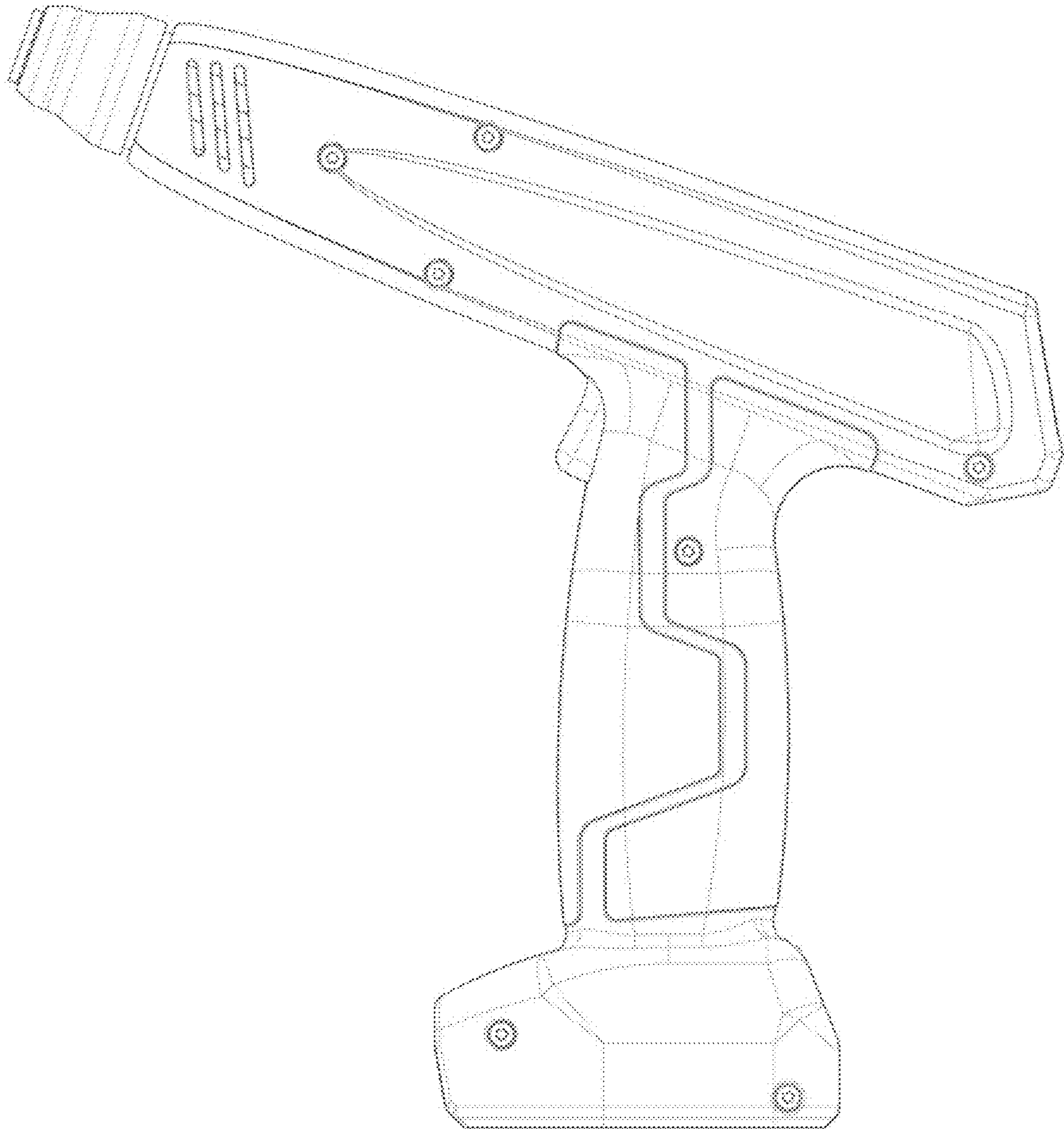
1.2



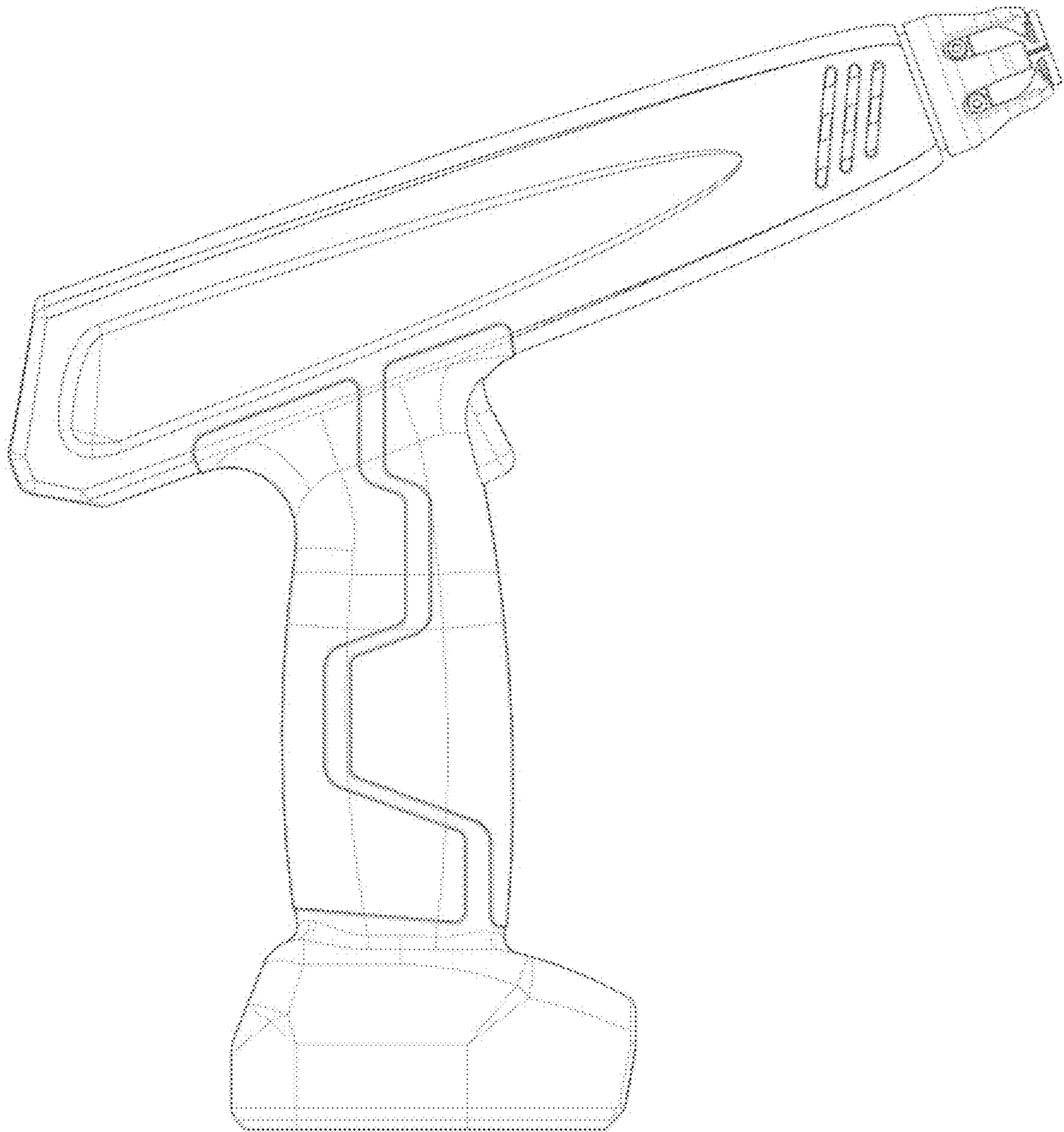
1.3



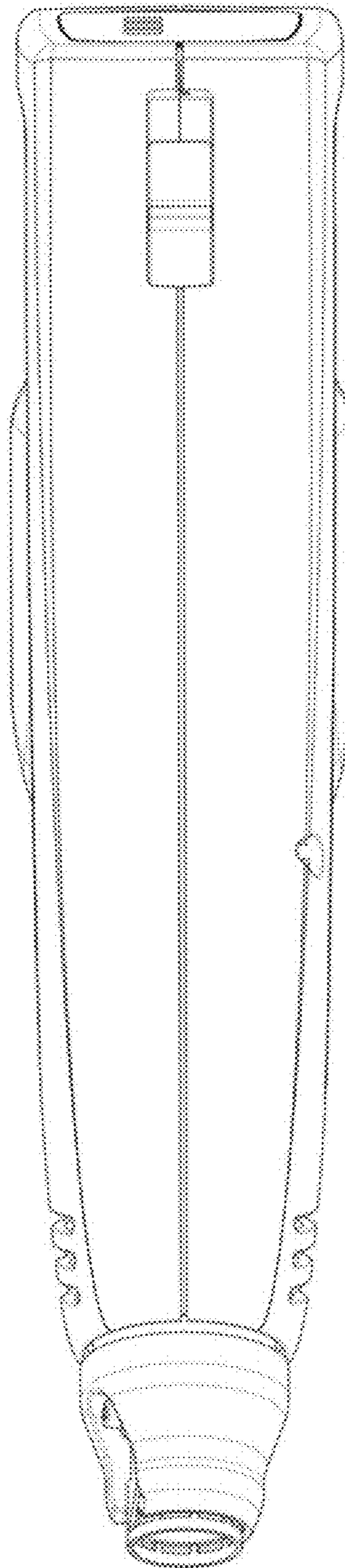
1.4



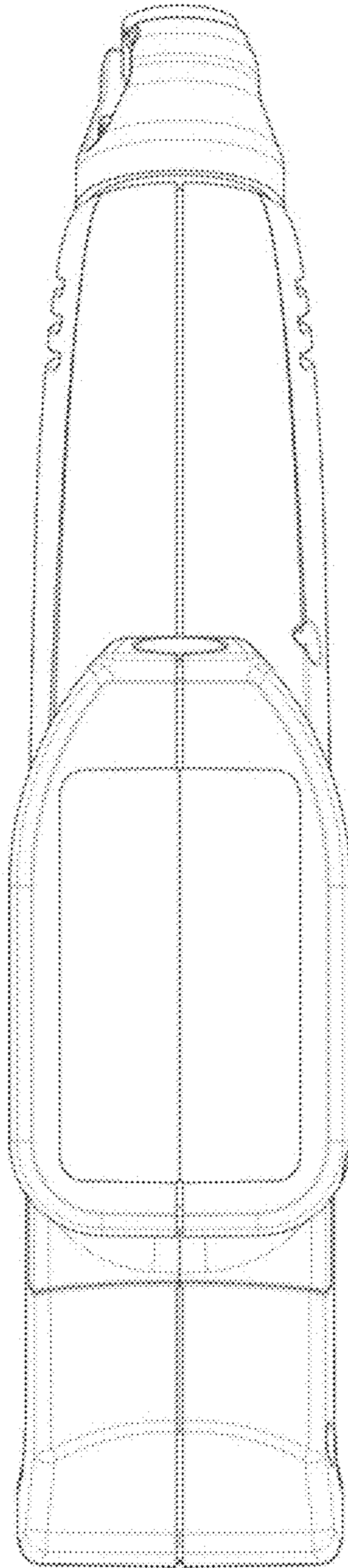
1.5



1.6



1.7





1.8

