



US00D854261S

(12) **United States Design Patent** (10) **Patent No.:** **US D854,261 S**
Dunkle (45) **Date of Patent:** **** Jul. 16, 2019**

(54) **HANGING PET TAG SILENCER**

(71) Applicant: **Todd Dunkle**, Sheffield Lake, OH (US)

(72) Inventor: **Todd Dunkle**, Sheffield Lake, OH (US)

(**) Term: **15 Years**

(21) Appl. No.: **29/609,589**

(22) Filed: **Jul. 2, 2017**

(51) **LOC (11) Cl.** **30-03**

(52) **U.S. Cl.**
 USPC **D30/199; D30/155**

(58) **Field of Classification Search**
 USPC D30/155, 152, 153, 199; 119/865, 655,
 119/51.02, 857-860, 719-721, 792, 795;
 D11/7, 79, 95, 97, 99, 107-108, 82, 137,
 D11/117-136, 157, 158, 160, 162, 164,
 D11/105, 200, 212, 218; D2/976, 639,
 D2/857; D8/1, 34, 38, 18; D10/33;
 D7/619.2; D20/22-32, 10, 43, 42;
 D3/207-212, 270-271.3, 201, 328, 215,
 D3/247, 248, 203.3, 323, 318, 203.1, 218,
 D3/251, 273, 274, 288, 299; D26/38;
 D6/302-304, 634; D24/199; D21/610,
 D21/611, 626; 40/310, 665, 300-303,
 40/633, 299.01, 323, 649-651, 654.01,
 40/661, 661.11-671, 1, 1.5, 1.6, 124.06,
 40/209, 642.02, 634, 775, 776, 405, 644,
 40/653, 661.08, 663, 664, 668, 675;
 239/57; 362/812; 206/37.1, 38.1, 0.8,
 206/0.81, 0.815, 0.82, 38, 6.1, 301, 307,
 206/308.1, 477, 483, 493, 37, 527, 449;
 70/456 R, 456 B, 458, 459, 457; 24/3.6;
 63/40; D9/424, 422, 757, 707; D17/20;
 283/74, 75, 80, 81

CPC A01K 11/00-004; A01K 11/006-00; A01K
 27/00-009; A01K 29/00; A01K 29/005;
 G09F 3/185; G09F 3/18; G09F

(Continued)

(56) **References Cited**

U.S. PATENT DOCUMENTS

D4,423 S * 10/1870 Kilborn et al. D3/294
 D28,239 S * 2/1898 Millhiser D27/185

(Continued)

Primary Examiner — Susan Moon Lee
 (74) *Attorney, Agent, or Firm* — Katterle Nupp LLC;
 Robert P. Nupp; Paul Katterle

(57) **CLAIM**

The ornamental design for a hanging pet tag silencer, as shown and described.

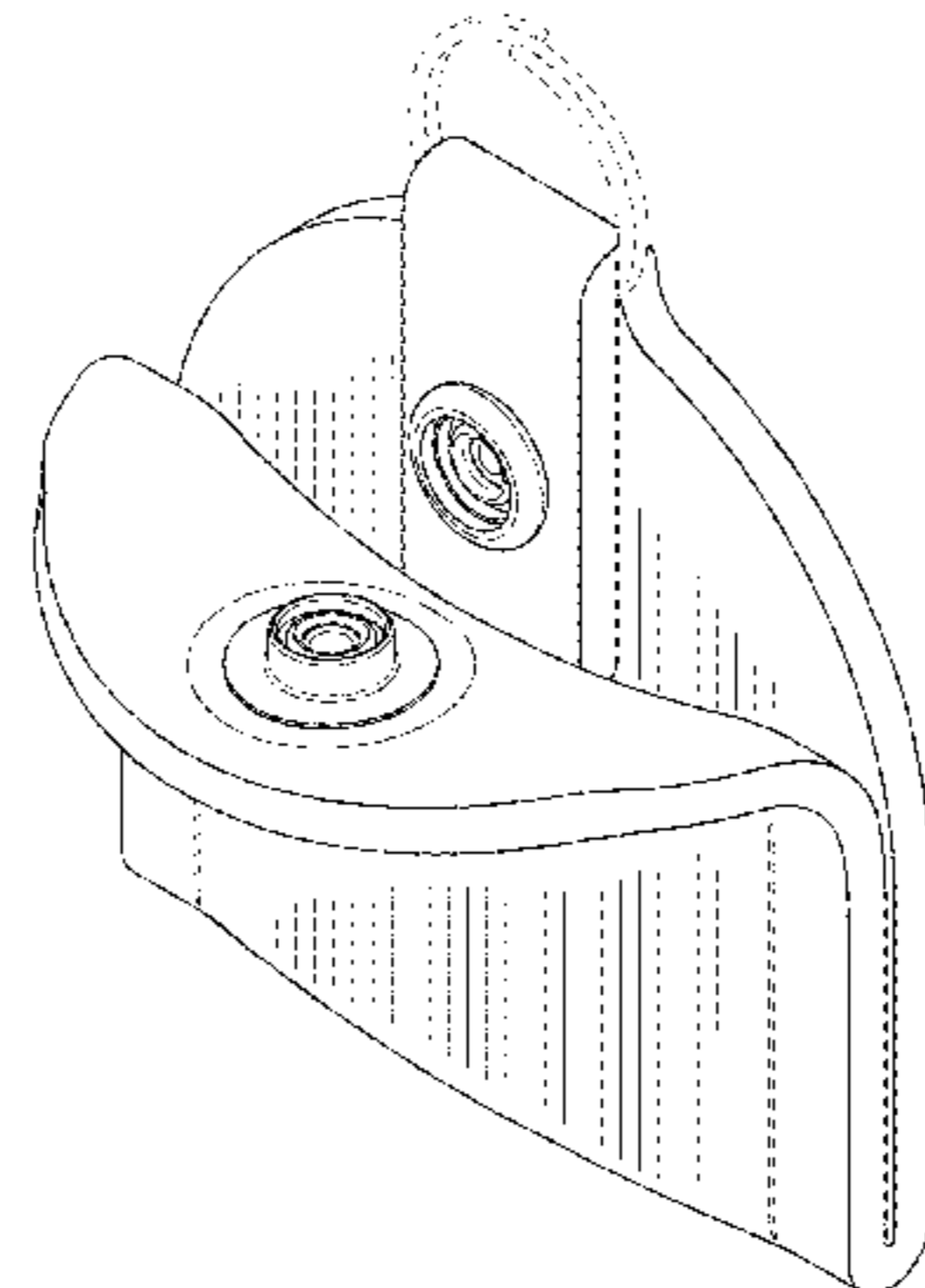
DESCRIPTION

FIG. 1 is a top front perspective view of a hanging pet tag silencer showing my new design;
 FIG. 2 is a bottom rear perspective view thereof;
 FIG. 3 is a front view thereof;
 FIG. 4 is a rear view thereof;
 FIG. 5 is a left side view thereof;
 FIG. 6 is a right side view thereof;
 FIG. 7 is a top view thereof;
 FIG. 8 is a bottom view thereof;
 FIG. 9 is a top front perspective view of the hanging pet tag silencer in an alternate position, with a front portion unsnapped from a rear portion and the front portion bent outward;
 FIG. 10 is a bottom rear view thereof;
 FIG. 11 is a front view thereof;
 FIG. 12 is a rear view thereof;
 FIG. 13 is a left side view thereof;
 FIG. 14 is a right side view thereof;
 FIG. 15 is a top view thereof; and,
 FIG. 16 is a bottom view thereof.

The shade lines in the Figures show contour and not surface ornamentation.

The broken lines in the Figures are included to show unclaimed subject matter only and form no part of the claimed design.

1 Claim, 8 Drawing Sheets



US D854,261 S

(58) **Field of Classification Search**

CPC 3/20; G09F 3/201-207; G09F 3/14; G09F 2003/0254; G09F 2003/0266; G09F 2003/0279; A44C 3/00-008; A44C 15/0025; A44C 15/005; A44C 25/00-004; A44C 25/007; A44C 25/008; A44C 27/002; A44C 27/003; A47G 33/08; A47G 33/0809; A47G 2033/0827; B44C 5/00; B44C 5/02; B44C 5/06; B44C 7/00; G10D 3/163

See application file for complete search history.

(56) **References Cited**

U.S. PATENT DOCUMENTS

D28,989 S * 7/1898 Conway D9/506
 842,037 A * 1/1907 Wallerstedt G07D 9/004
 1,262,447 A * 4/1918 Carr G09F 3/00
 1,401,660 A * 12/1921 White B60R 7/046
 1,452,250 A * 4/1923 Ludlow G09F 3/18
 D63,812 S * 1/1924 Wojciechowski D3/247
 1,558,213 A * 10/1925 Thomas A45C 11/24
 1,570,696 A * 1/1926 Moore A41F 9/002
 1,780,874 A * 11/1930 Friedmann A41D 27/20
 1,815,320 A * 7/1931 Levitt A45D 33/34
 D91,414 S * 1/1934 Siegel et al. D3/205
 D92,405 S * 6/1934 Klebanow D20/28
 2,068,162 A * 1/1937 Borchers A47K 7/028
 D136,753 S * 11/1943 Lyon D11/2
 2,385,778 A * 10/1945 Evalt G09F 3/18
 2,474,495 A * 6/1949 Pollak A45C 1/04
 2,479,524 A * 8/1949 Tarbox A45C 11/323
 2,547,524 A * 4/1951 Gross A45C 11/328
 2,569,629 A * 10/1951 Everitt A45C 1/02
 2,612,200 A * 9/1952 June A45C 1/02
 2,644,471 A * 7/1953 Brown A45C 1/02
 2,653,703 A * 9/1953 Krauss B60R 7/087
 2,811,797 A * 11/1957 Teetor A45C 13/42
 2,869,603 A * 1/1959 Conley A45C 1/02
 D215,360 S * 9/1969 Bundsohuh D14/475
 D217,303 S * 4/1970 Alnsllie et al. D14/475
 D231,470 S * 4/1974 Klepa et al. D14/479
 D236,188 S * 8/1975 Gould D9/417
 D236,557 S * 8/1975 Rubin D3/207
 D238,976 S * 2/1976 Dolas D3/208
 D246,590 S * 12/1977 Sollazzi 190/100
 D246,591 S * 12/1977 Sollazzi 190/100
 4,166,489 A * 9/1979 Lemelson A44B 15/005
 D253,676 S * 12/1979 Mathieson D3/207
 D257,790 S * 1/1981 Kesling D24/227
 4,259,798 A * 4/1981 McConnell A01K 11/00
 4,310,040 A * 1/1982 Shainfeld A45C 11/324

D267,521 S * 1/1983 Mathieson D3/210
 D271,918 S * 12/1983 Ramirez D3/282
 4,606,453 A * 8/1986 Burns A45C 11/04
 D286,137 S * 10/1986 Huck D3/203.3
 4,721,064 A * 1/1988 Denk A01K 11/001
 4,739,566 A * 4/1988 Smith G09F 3/18
 4,807,322 A * 2/1989 Littledeer A47L 1/16
 4,869,394 A * 9/1989 Hurst G06M 7/02
 D307,388 S * 4/1990 Newell D3/203.2
 4,932,095 A * 6/1990 Kawase A45D 44/00
 4,942,617 A * 7/1990 Boylan H04M 1/05
 4,991,338 A * 2/1991 Jones G09F 3/20
 5,011,010 A * 4/1991 Francis G11B 33/0427
 D337,397 S * 7/1993 Kerola D30/155
 5,233,942 A * 8/1993 Cooper A01K 27/008
 5,322,162 A * 6/1994 Melk G11B 33/045
 5,327,851 A * 7/1994 Pare A01K 1/035
 D350,836 S * 9/1994 Chevassus D28/76
 D352,600 S * 11/1994 Steeley D3/207
 D354,653 S * 1/1995 Melk D6/632
 D356,546 S * 3/1995 Peart D14/341
 5,429,393 A * 7/1995 Parlo B42D 15/00
 D383,598 S * 9/1997 Brucki D3/201
 5,690,220 A * 11/1997 Swan G11B 33/0422
 D388,721 S * 1/1998 Kinner D10/104.1
 D389,174 S * 1/1998 Yasoshima D18/15
 5,715,938 A * 2/1998 Cheris G11B 33/0427
 D392,940 S * 3/1998 Shen D13/110
 D396,343 S * 7/1998 Foxen D2/961
 D401,463 S * 11/1998 Cheris D6/634
 D407,444 S * 3/1999 Gregory-Gillman D20/22
 D412,165 S * 7/1999 Niitsu D14/435
 6,089,060 A * 7/2000 Steeley E05B 19/00
 6,115,873 A * 9/2000 Dunkley A45D 40/26
 D433,265 S * 11/2000 Khatemi D6/407
 D437,521 S * 2/2001 Leung D6/407
 6,182,825 B1 * 2/2001 Butcher G11B 33/0422
 6,367,426 B1 * 4/2002 Schaible G09F 3/207
 D462,165 S * 9/2002 Bello, Jr. D3/218
 D474,106 S * 5/2003 Weck D11/133
 D485,647 S * 1/2004 Beyda D29/119
 D487,972 S * 4/2004 Mirharooni D3/318
 6,735,894 B2 * 5/2004 Crusenberry G09F 3/20
 D493,493 S * 7/2004 Howard D20/27
 D510,086 S * 9/2005 Hirakawa D14/223
 D511,769 S * 11/2005 Hirakawa D14/223
 7,218,953 B2 * 5/2007 Kitazumi H04B 10/11
 D578,014 S * 10/2008 Friedland D9/707
 D582,484 S * 12/2008 Oas D20/22
 D583,679 S * 12/2008 Friedland D9/707
 D594,321 S * 6/2009 Tanaka D9/420
 7,626,103 B1 * 12/2009 Phillips G10D 3/163
 D618,997 S * 7/2010 Roesler D6/407
 D622,179 S * 8/2010 Frye

(56)

References Cited

U.S. PATENT DOCUMENTS

7,877,909 B1 * 2/2011 Hagen A01K 11/00
40/300
D643,847 S * 8/2011 Boucard D14/480.7
8,004,406 B2 * 8/2011 Bleckmann G09F 3/20
340/568.1
D670,043 S * 10/2012 Goldman D30/155
8,281,749 B2 * 10/2012 Dukes A01K 15/021
119/859
D675,119 S * 1/2013 Cobbett D10/70
8,413,357 B1 * 4/2013 Hagen A01K 11/00
40/300
D711,652 S * 8/2014 Erickson D3/303
D765,785 S * 9/2016 Warther D20/22
D774,285 S * 12/2016 Howes D2/891
D777,044 S * 1/2017 Lehmann D9/418
D799,761 S * 10/2017 Dia D30/199
2003/0033737 A1 * 2/2003 Bradshaw G09F 3/14
40/300
2005/0167029 A1 * 8/2005 Rapaport A43B 13/187
156/145
2005/0218018 A1 * 10/2005 Shields G11B 33/0427
206/308.1
2016/0183653 A1 * 6/2016 Warther G06K 19/07726
340/10.51
2016/0247422 A1 * 8/2016 Bloom G09F 3/14
2016/0314768 A1 * 10/2016 Wolff F16M 13/02
2017/0069234 A1 * 3/2017 Blizzard A01K 11/00

* cited by examiner

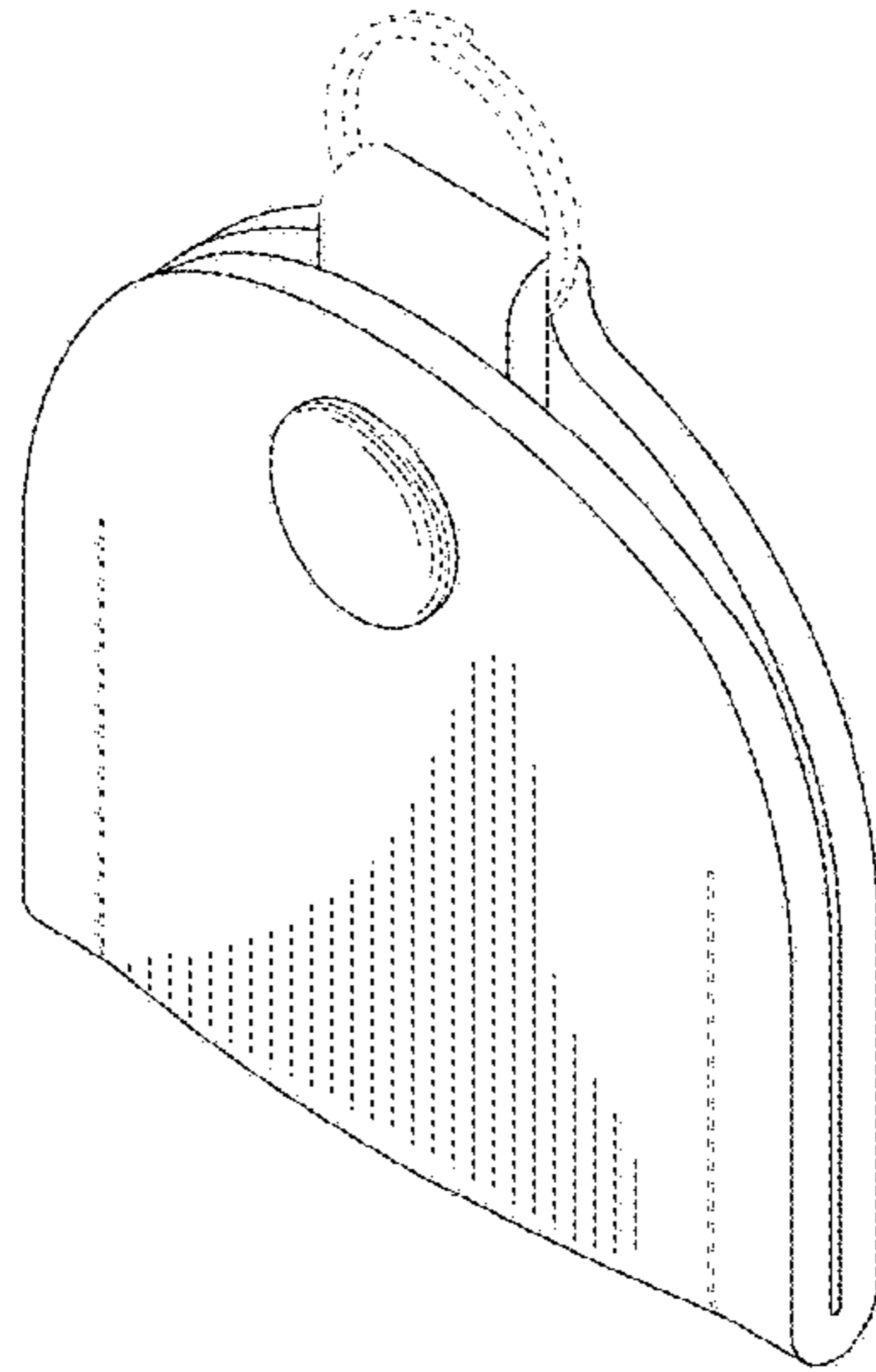


FIG. 1

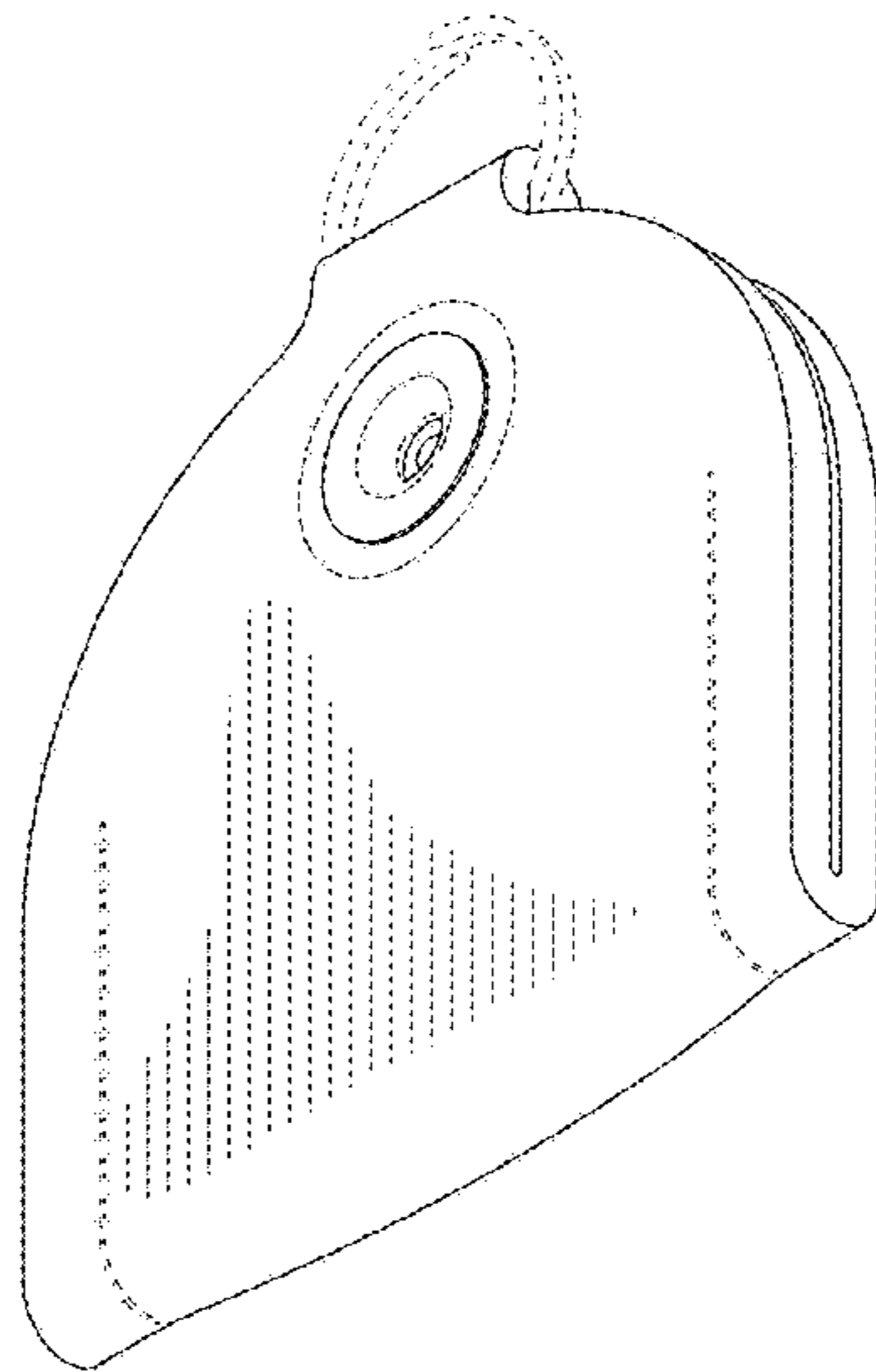


FIG. 2

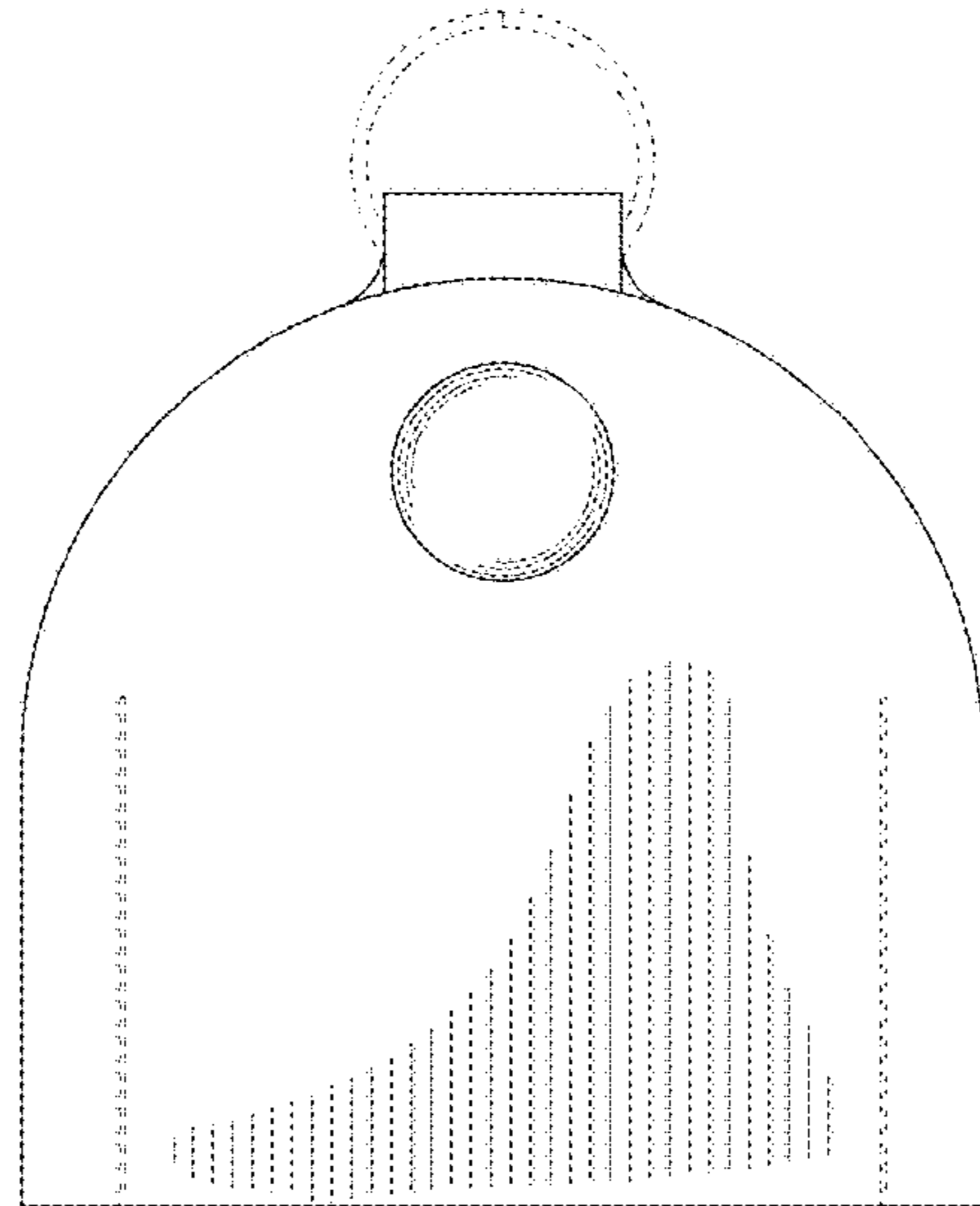


FIG. 3

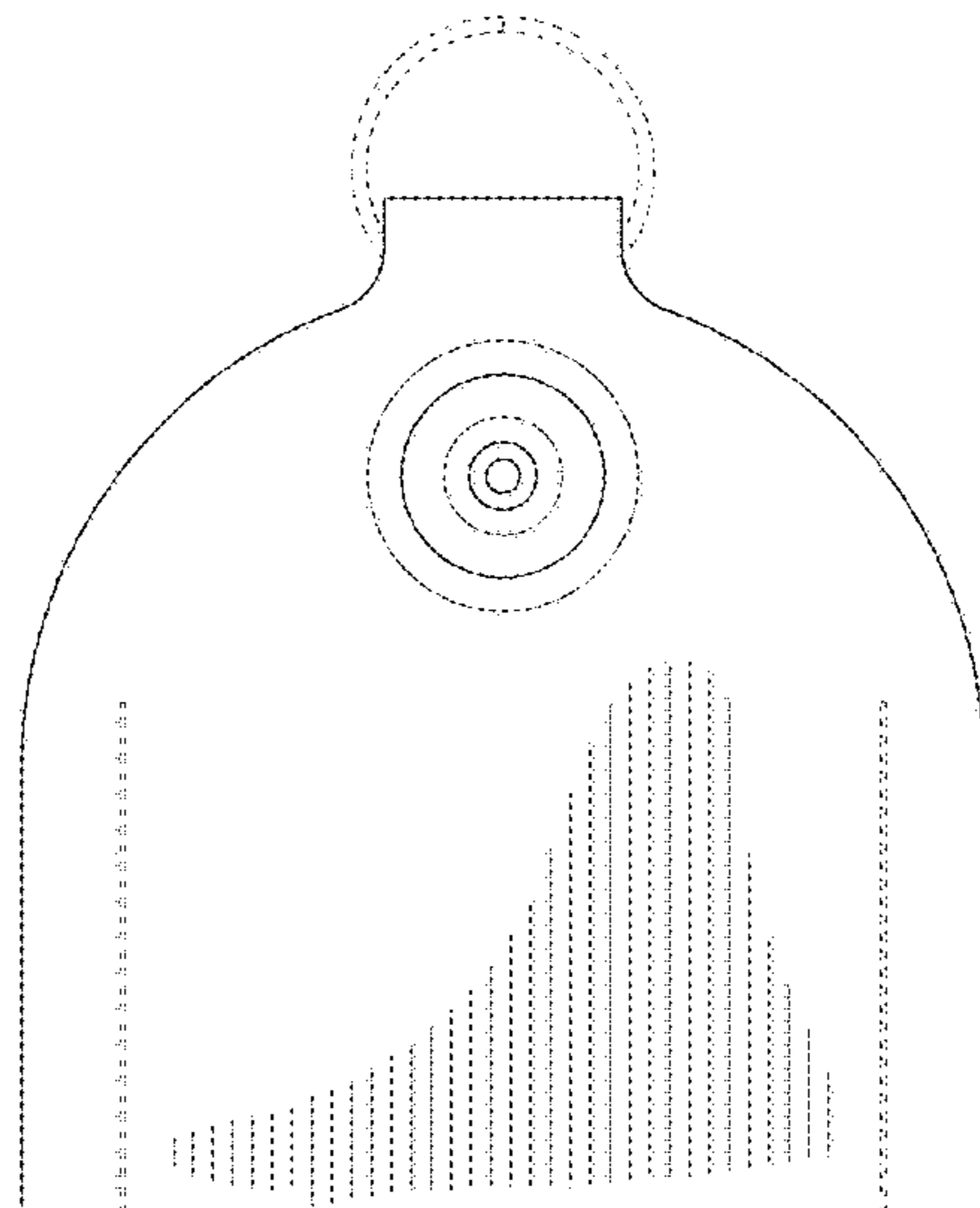


FIG. 4

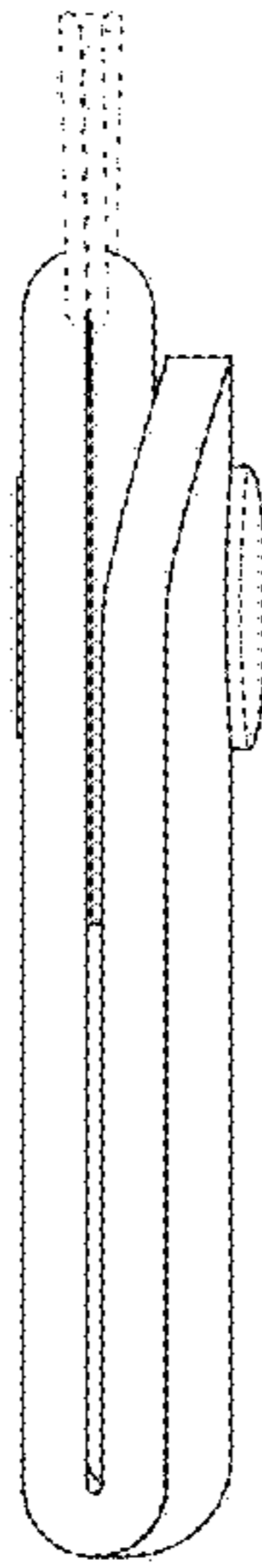


FIG. 5

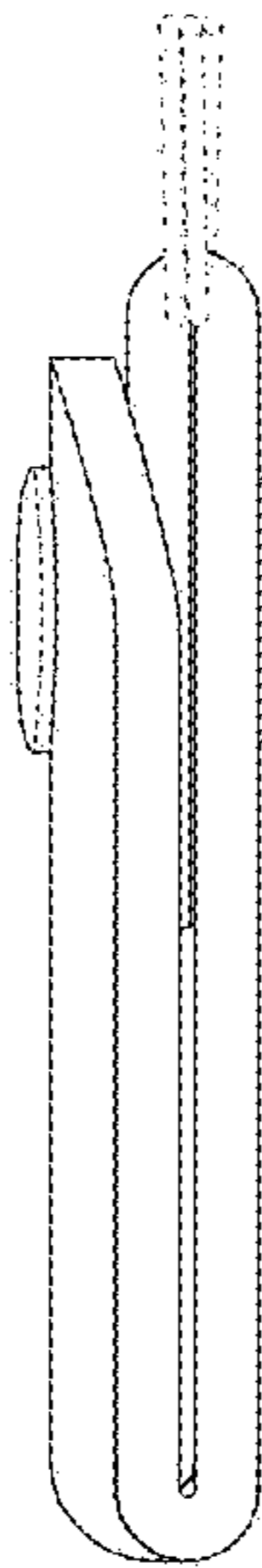


FIG. 6

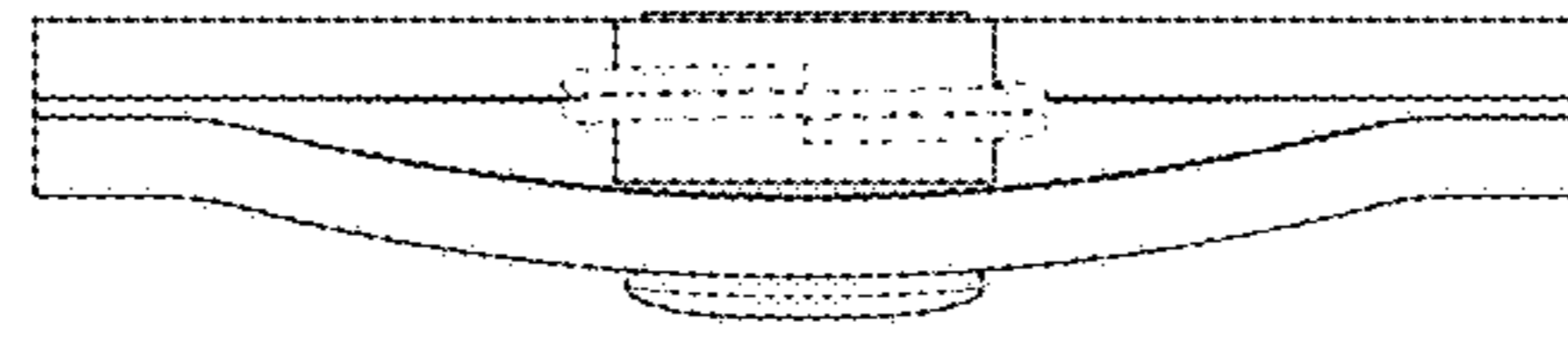


FIG. 7

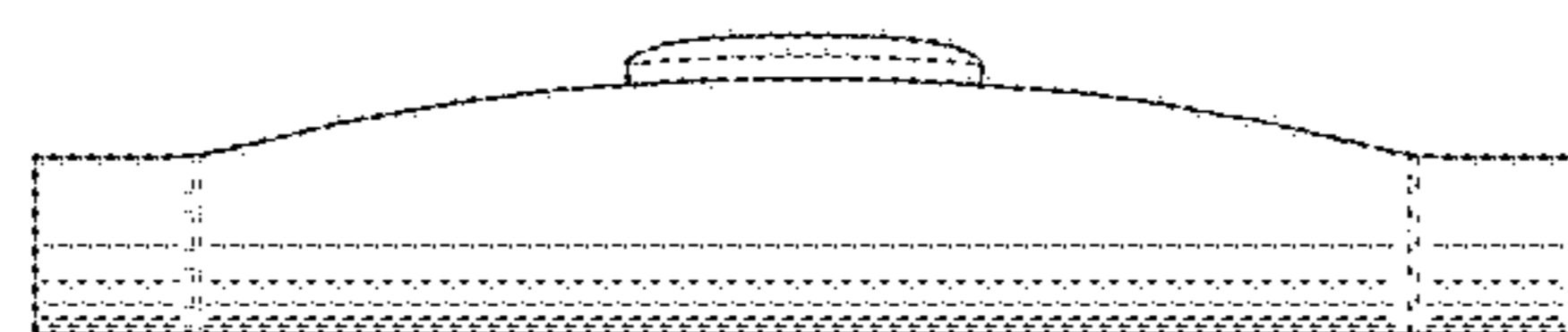


FIG. 8

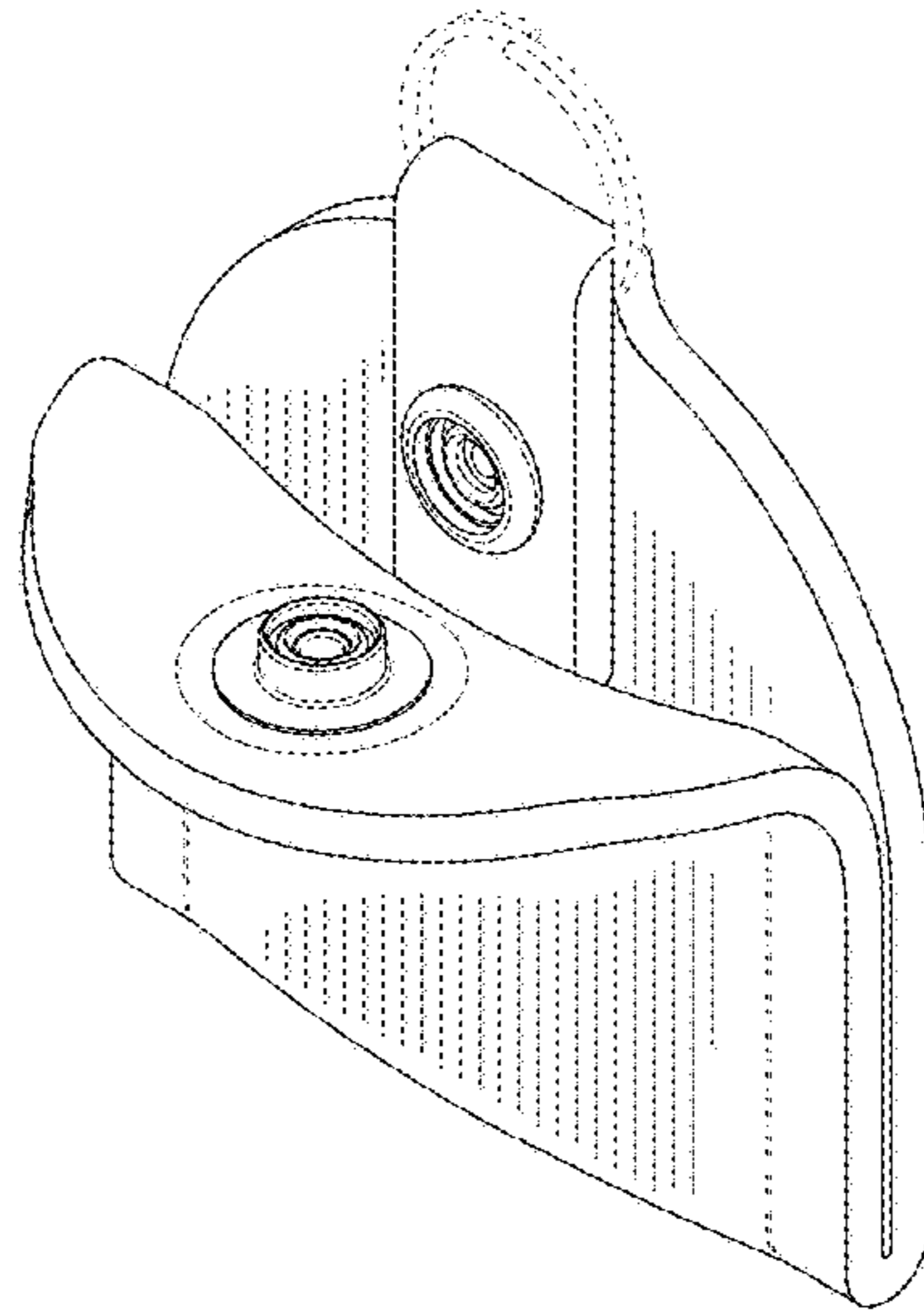


FIG. 9

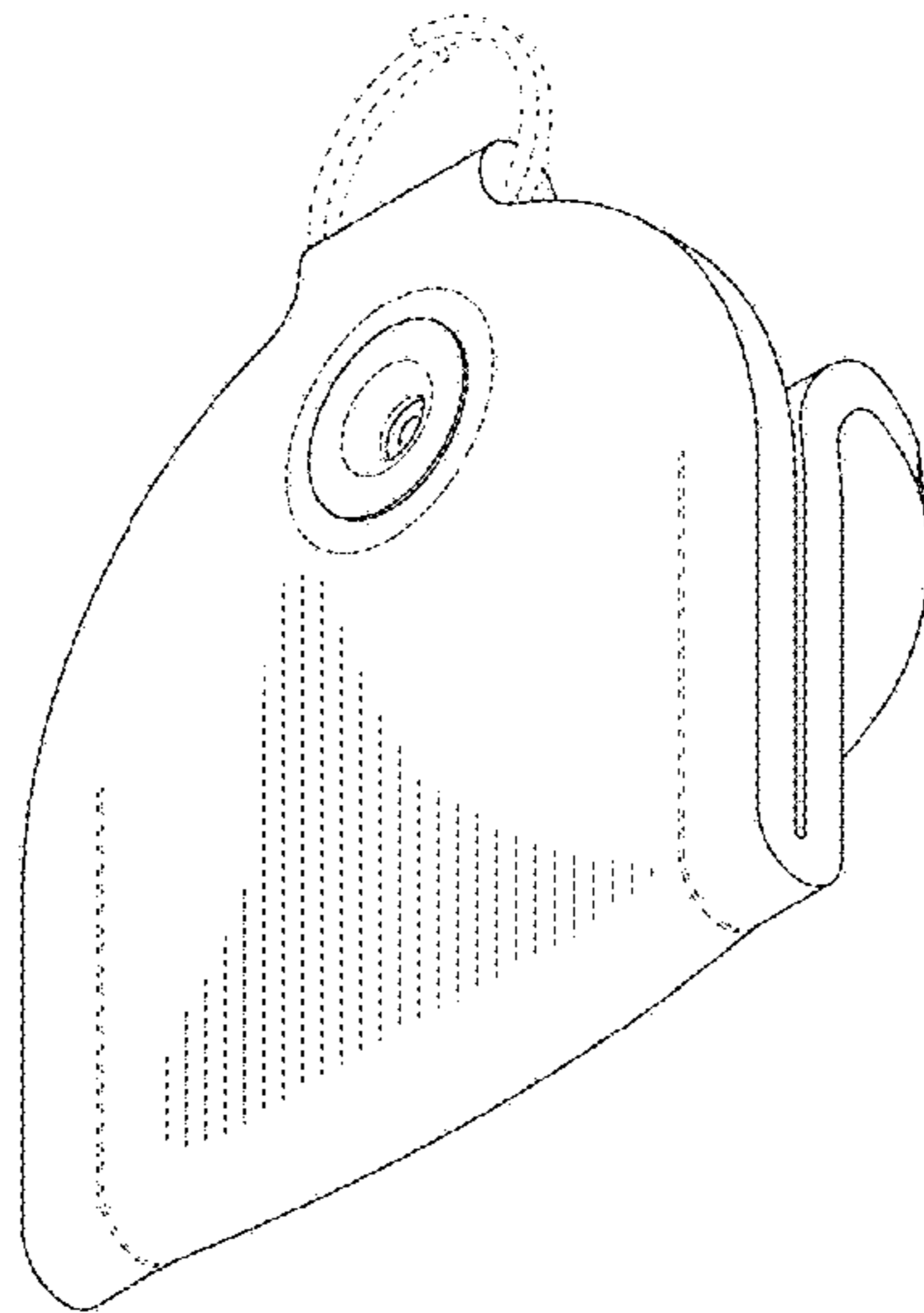


FIG. 10

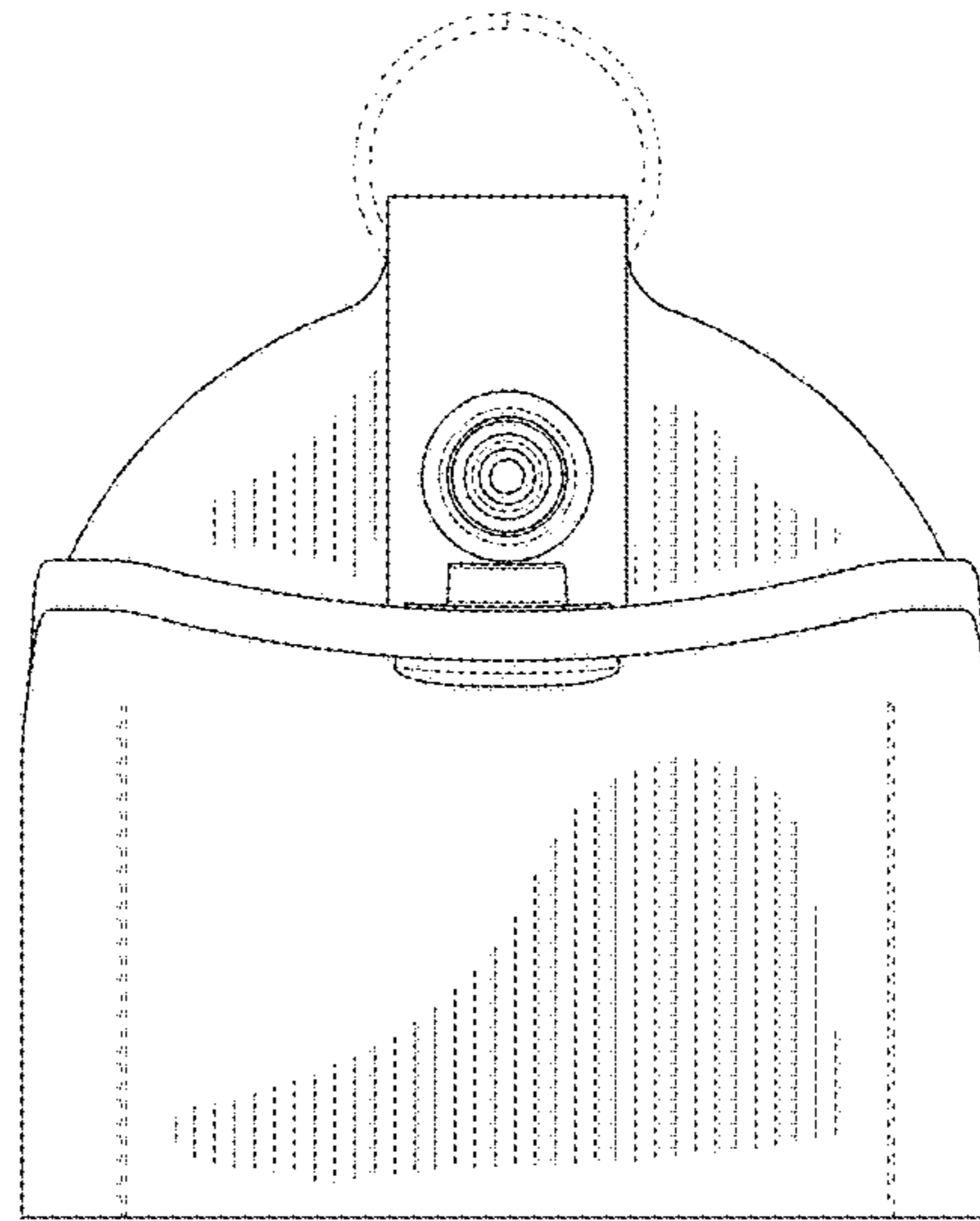


FIG. 11

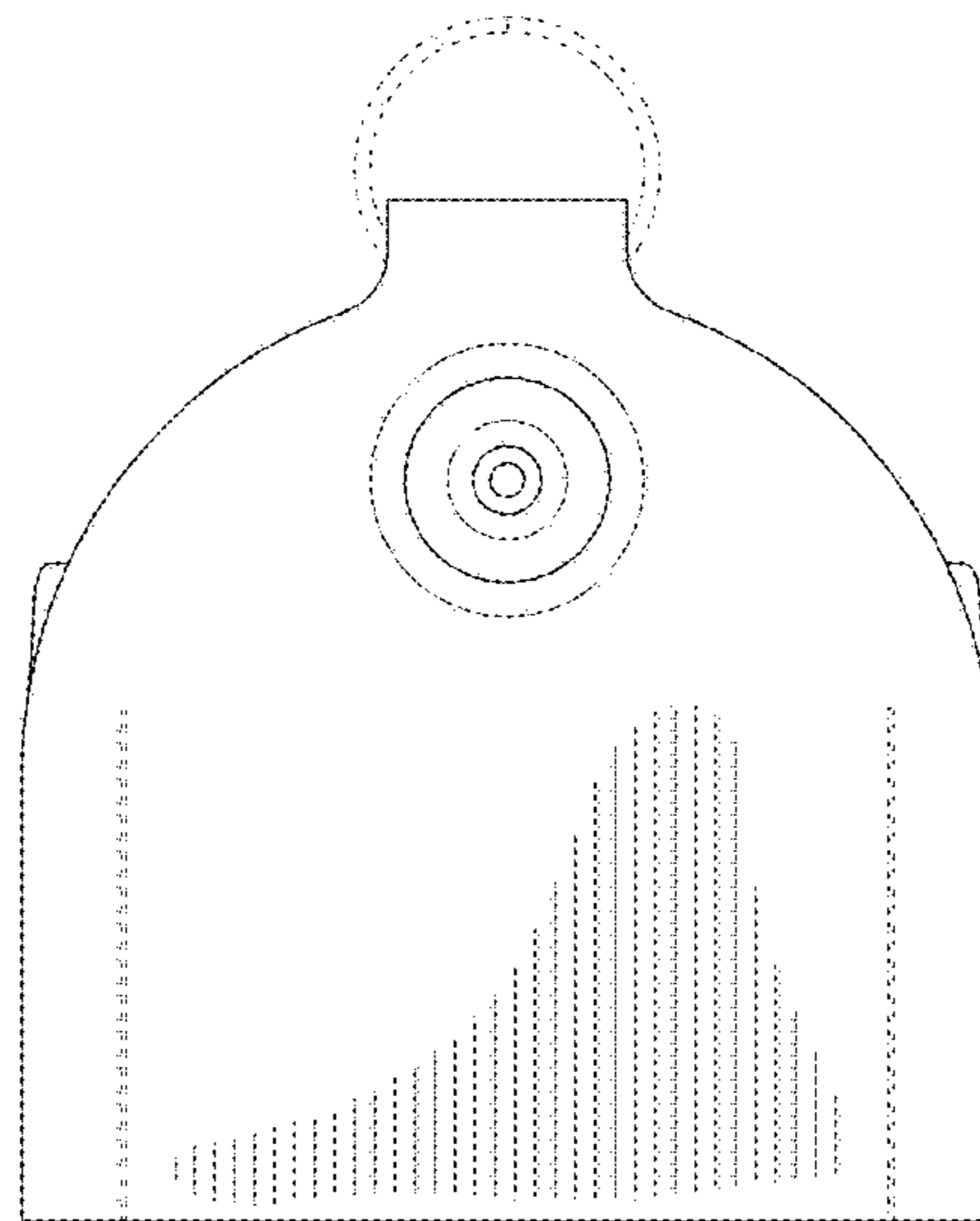


FIG. 12

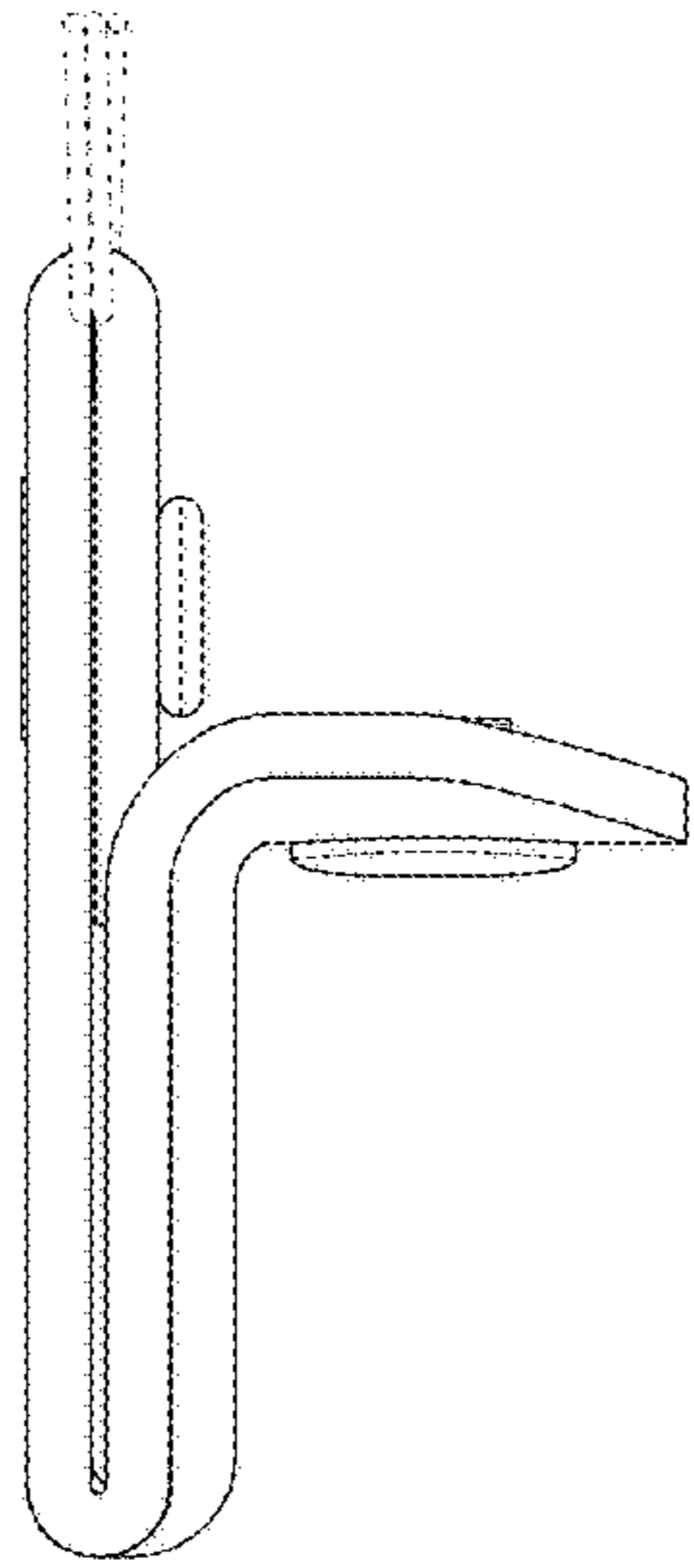


FIG. 13

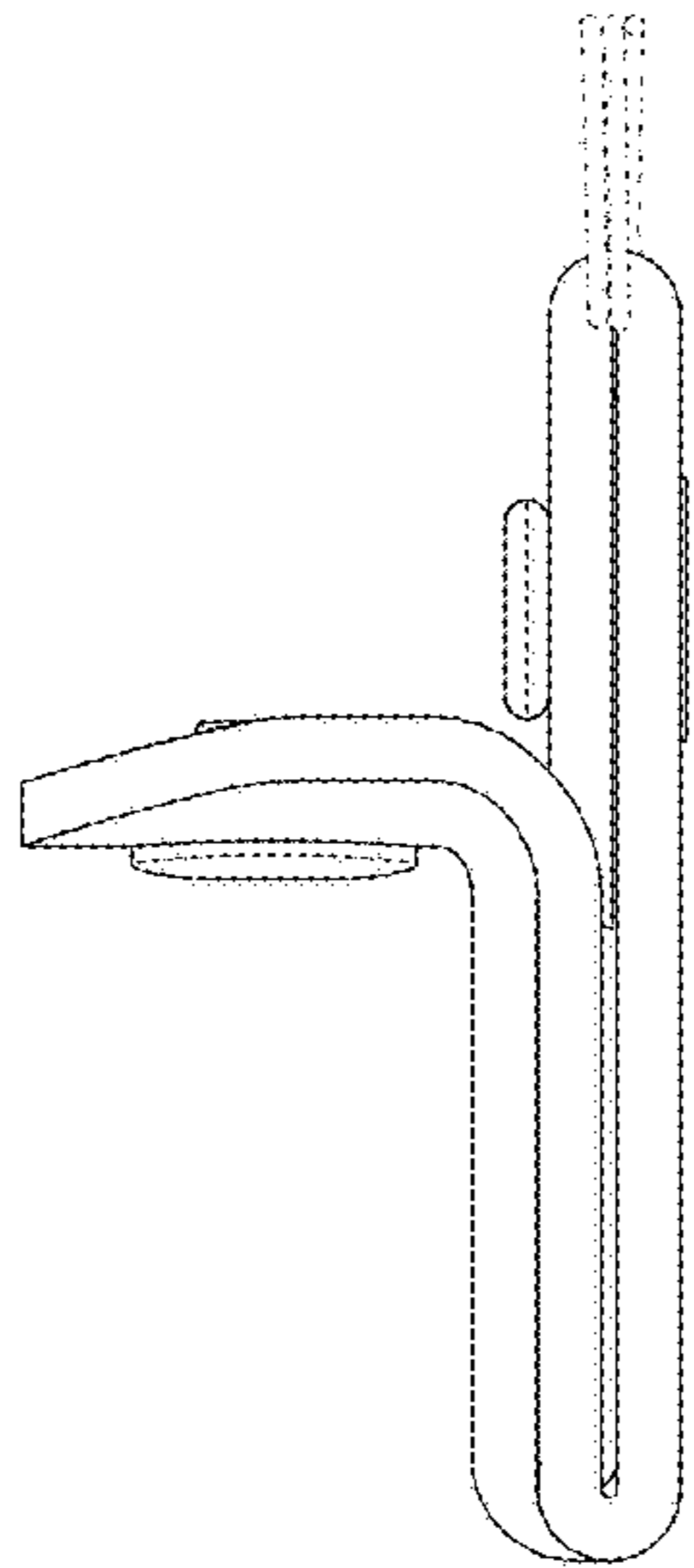


FIG. 14

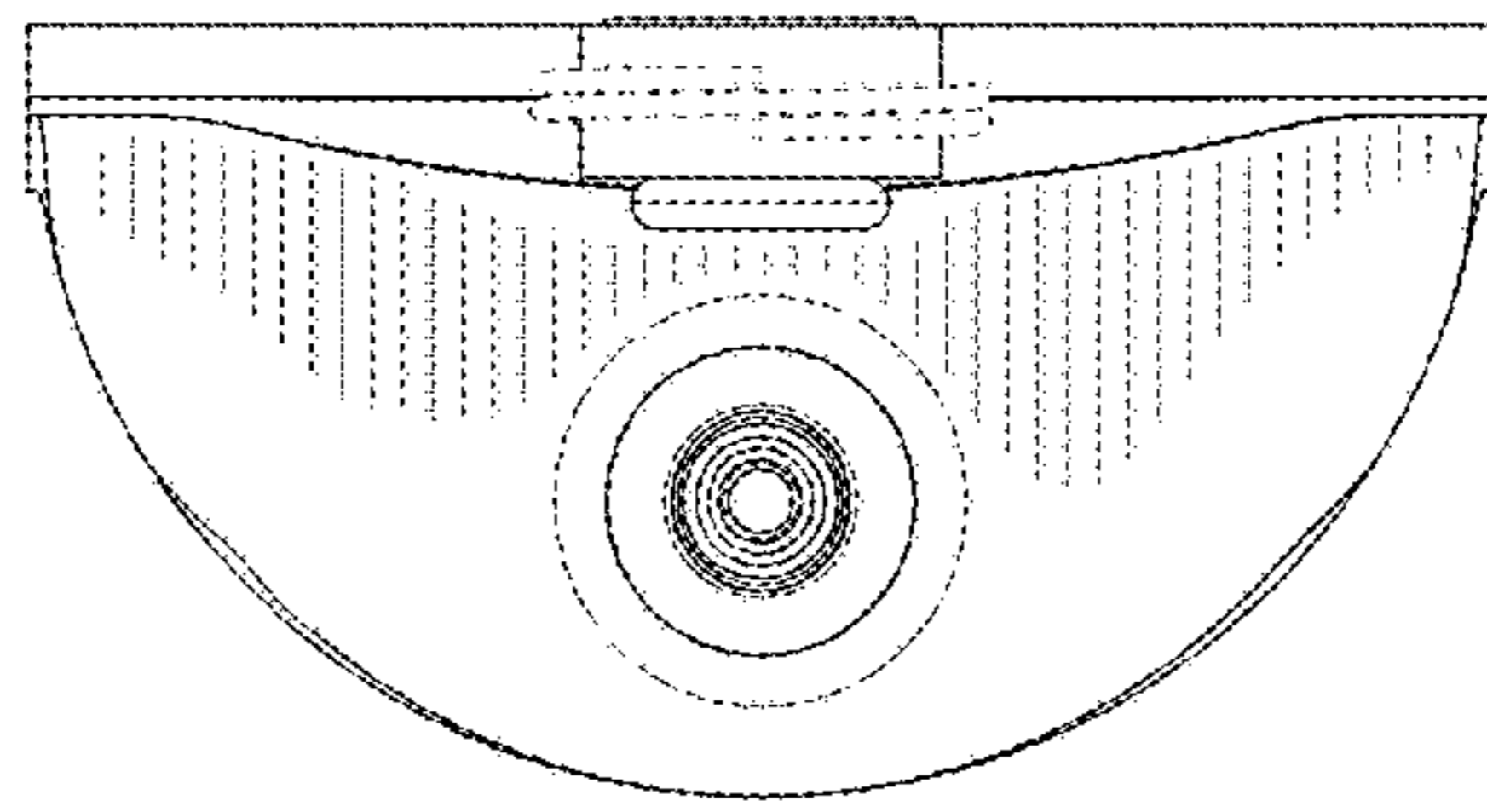


FIG. 15

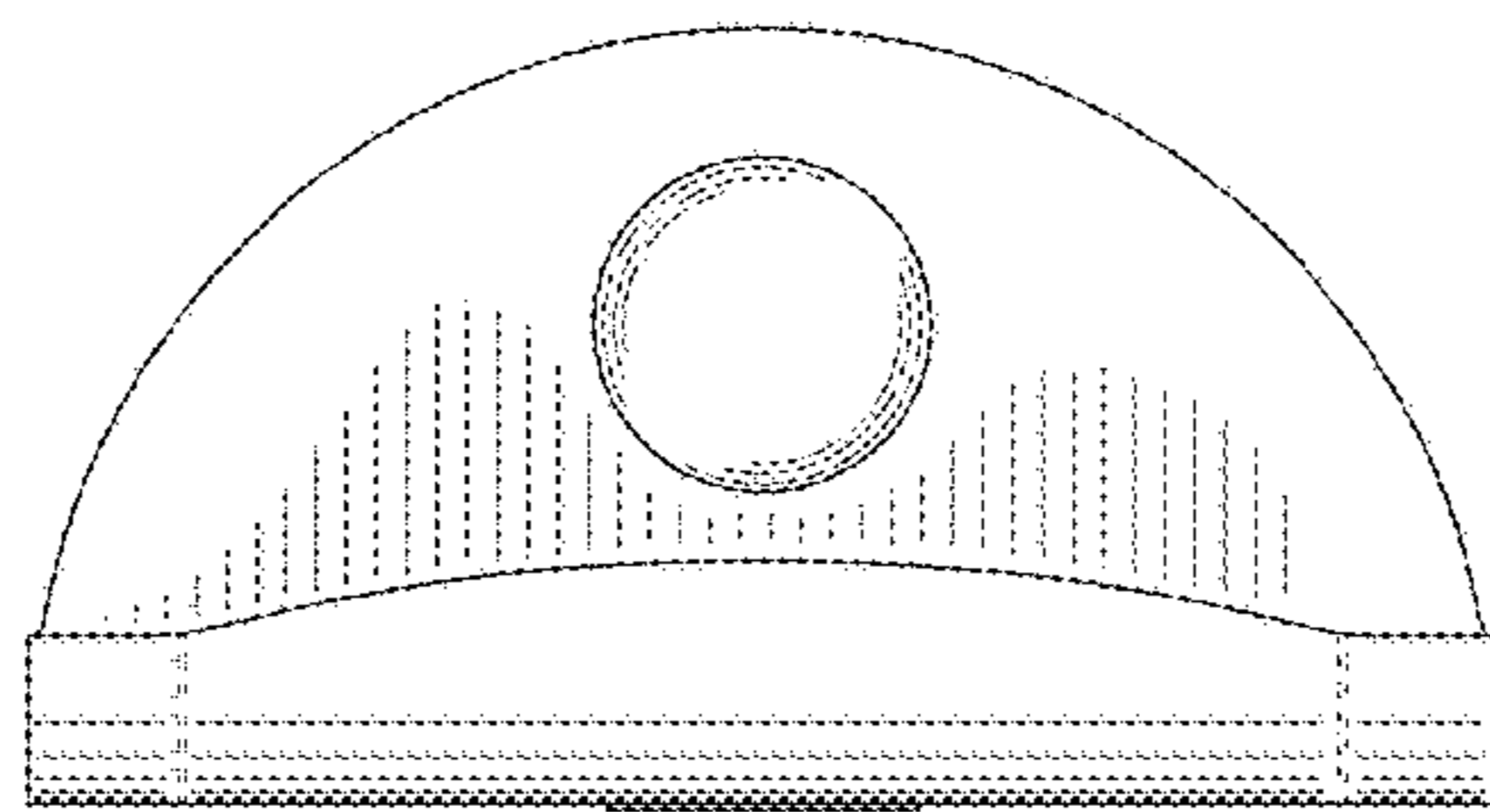


FIG. 16