



US00D854260S

(12) **United States Design Patent** (10) **Patent No.:** **US D854,260 S**
Maeda (45) **Date of Patent:** **** Jul. 16, 2019**

(54) **PET TOILET**

- (71) Applicant: **IRIS OHYAMA INC.**, Sendai-shi, Miyagi (JP)
- (72) Inventor: **Rie Maeda**, Kakuda (JP)
- (73) Assignee: **IRIS OHYAMA INC.**, Sendai-shi (JP)
- (**) Term: **15 Years**

(21) Appl. No.: **29/619,097**

(22) Filed: **Sep. 27, 2017**

(30) **Foreign Application Priority Data**

May 9, 2017 (JP) 2017-009885

(51) **LOC (11) Cl.** **30-99**

(52) **U.S. Cl.**
USPC **D30/161**

(58) **Field of Classification Search**
USPC D30/108, 112, 113, 114, 118, 160, 161, D30/162, 199; 119/1, 19, 29
CPC A01K 1/0114
See application file for complete search history.

(56) **References Cited**

U.S. PATENT DOCUMENTS

D300,966 S *	5/1989	Conner	D30/161
D444,921 S *	7/2001	Plante	D30/108
D485,649 S *	1/2004	Fick	D30/108
D533,971 S *	12/2006	Carter	D30/108
D575,907 S *	8/2008	Roderman	D30/108
D677,839 S *	3/2013	Goldsmith	D30/108
D713,605 S *	9/2014	Lipscomb	D30/108
D774,764 S *	12/2016	Kraemer	D3/304
2006/0156994 A1 *	7/2006	Sage, Jr.	A01K 1/0107 119/166

OTHER PUBLICATIONS

An Office Action; "Notice of Allowance", issued by the Japanese Patent Office dated Nov. 28, 2017, which corresponds to Japanese Design Application No. 2017-009885; with English language Concise Explanation.
OFT Catalog vol. 13, p. 3 (Japan Patent Office Design Patent Department, publicly known reference No. HC28013751).
Amazon.com, Inc., publications on website (Japan Patent Office Design Patent Department, publicly known reference No. HJ26026403).

* cited by examiner

Primary Examiner — Barbara Fox

Assistant Examiner — Mehri F Bajoul

(74) *Attorney, Agent, or Firm* — Studebaker & Brackett PC

(57) **CLAIM**

The ornamental design for a pet toilet, as shown and described.

DESCRIPTION

FIG. 1 is a front view of a pet toilet showing my new design; FIG. 2 is a rear view thereof; FIG. 3 is a top view thereof; FIG. 4 is a bottom view thereof; FIG. 5 is a left-side view thereof, with the right-side view being a mirror image thereof; FIG. 6 is a front, top and right-side perspective view thereof; and, FIG. 7 is a front, bottom and right-side perspective view thereof.

The dash-dot-dash broken lines depict the boundary of the claim that form no part of the claimed design. The dash-dash lines depict portions of the pet toilet that form no part of the claimed design

1 Claim, 7 Drawing Sheets

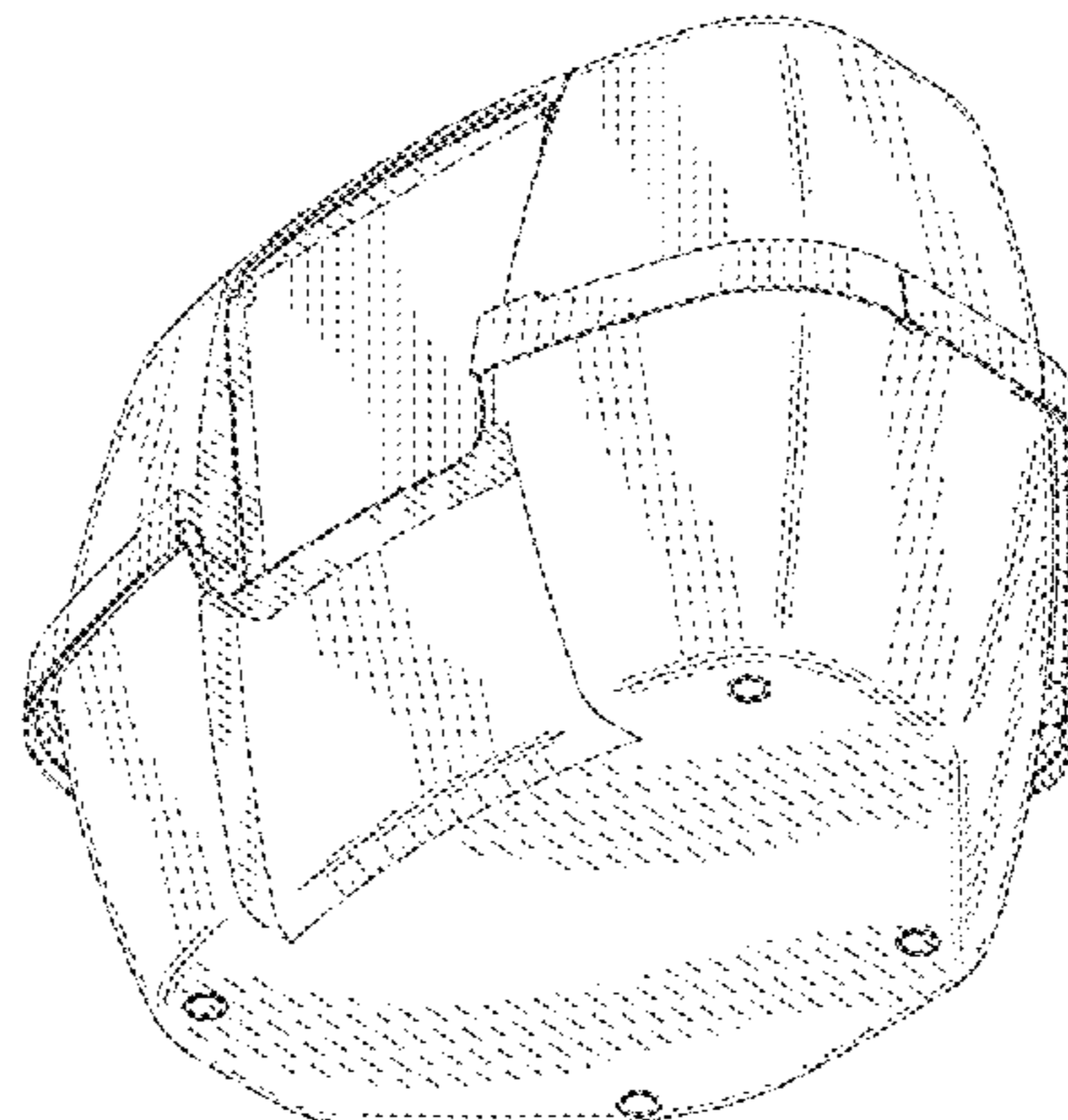
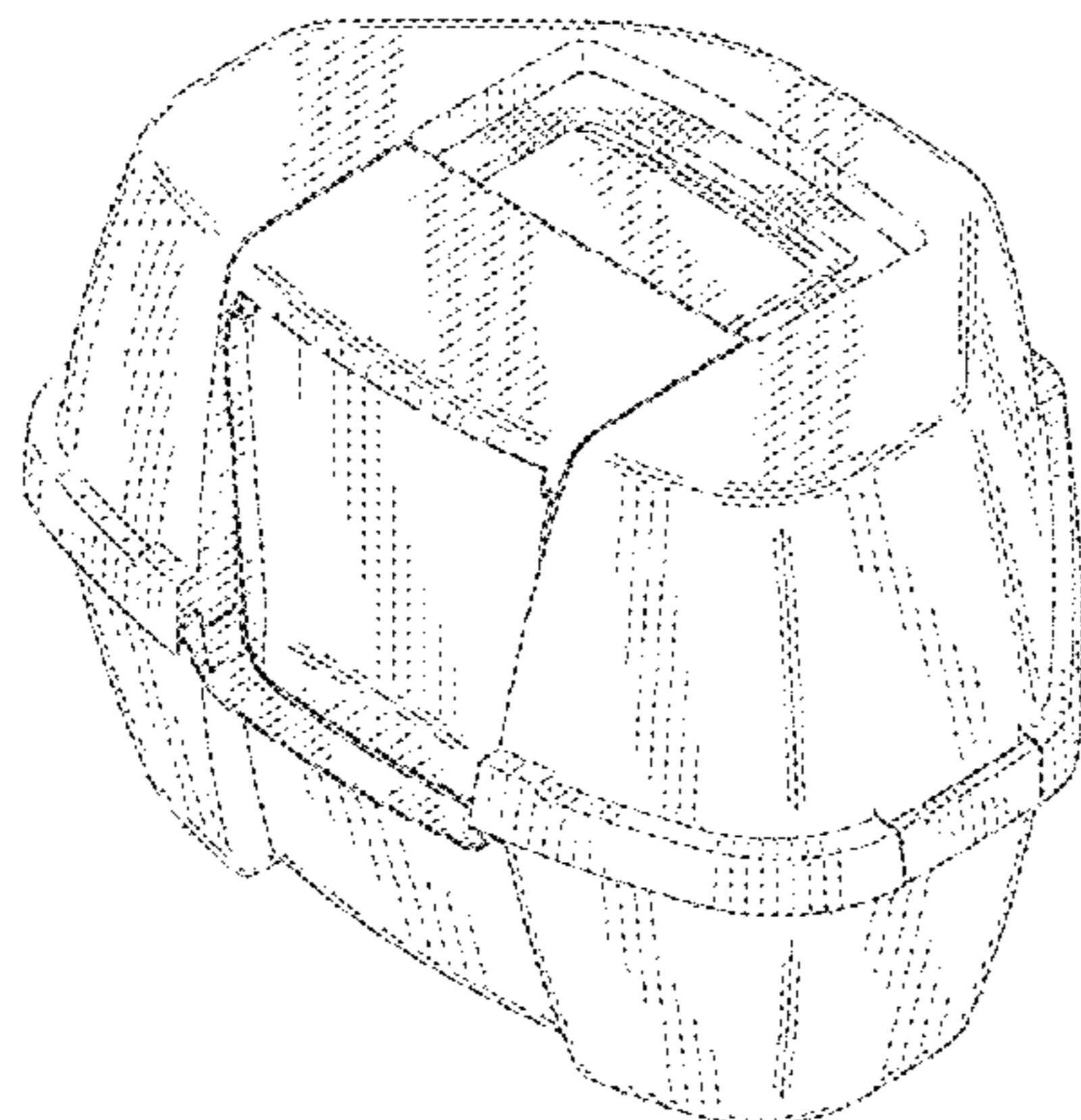


FIG. 1

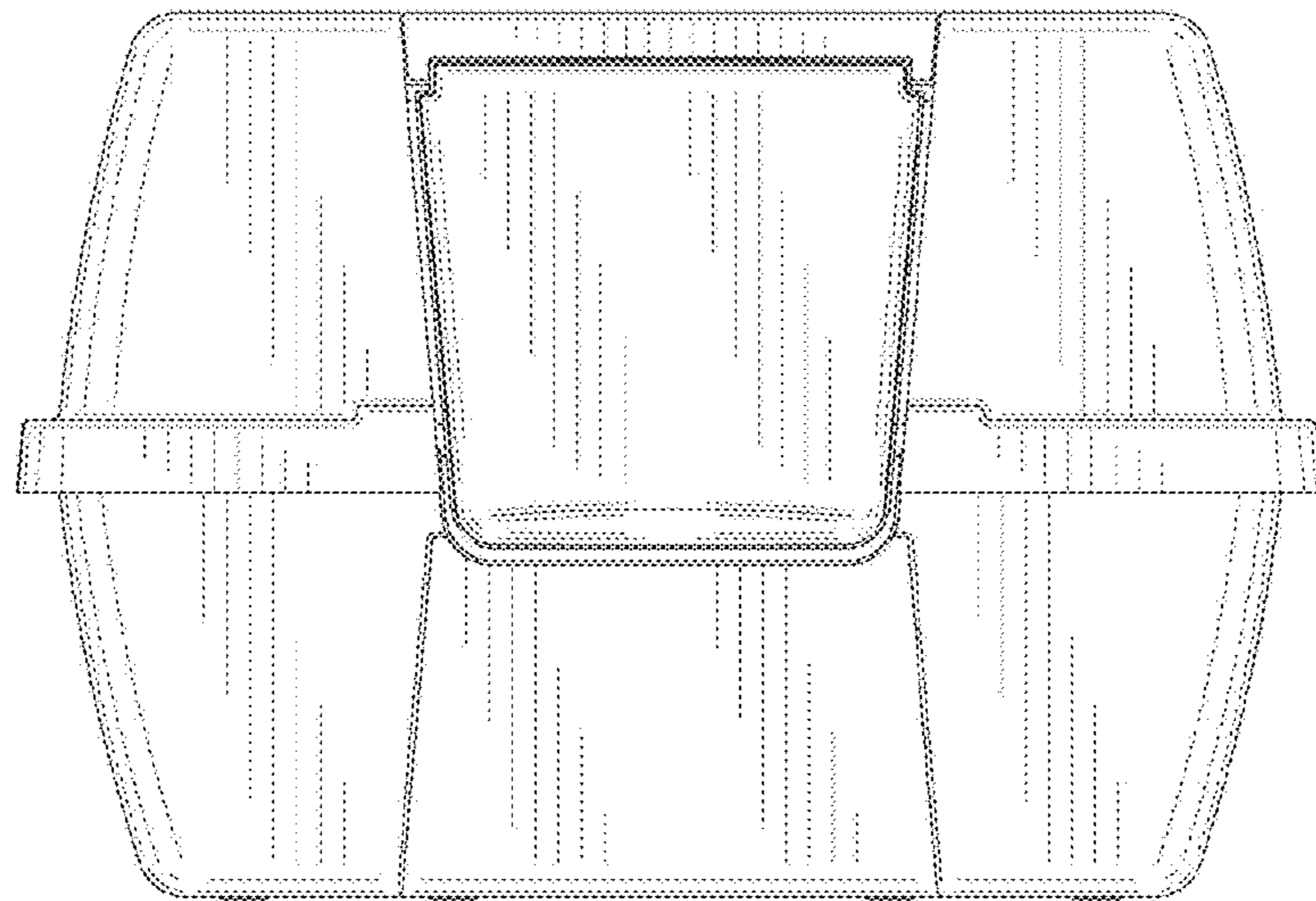


FIG. 2

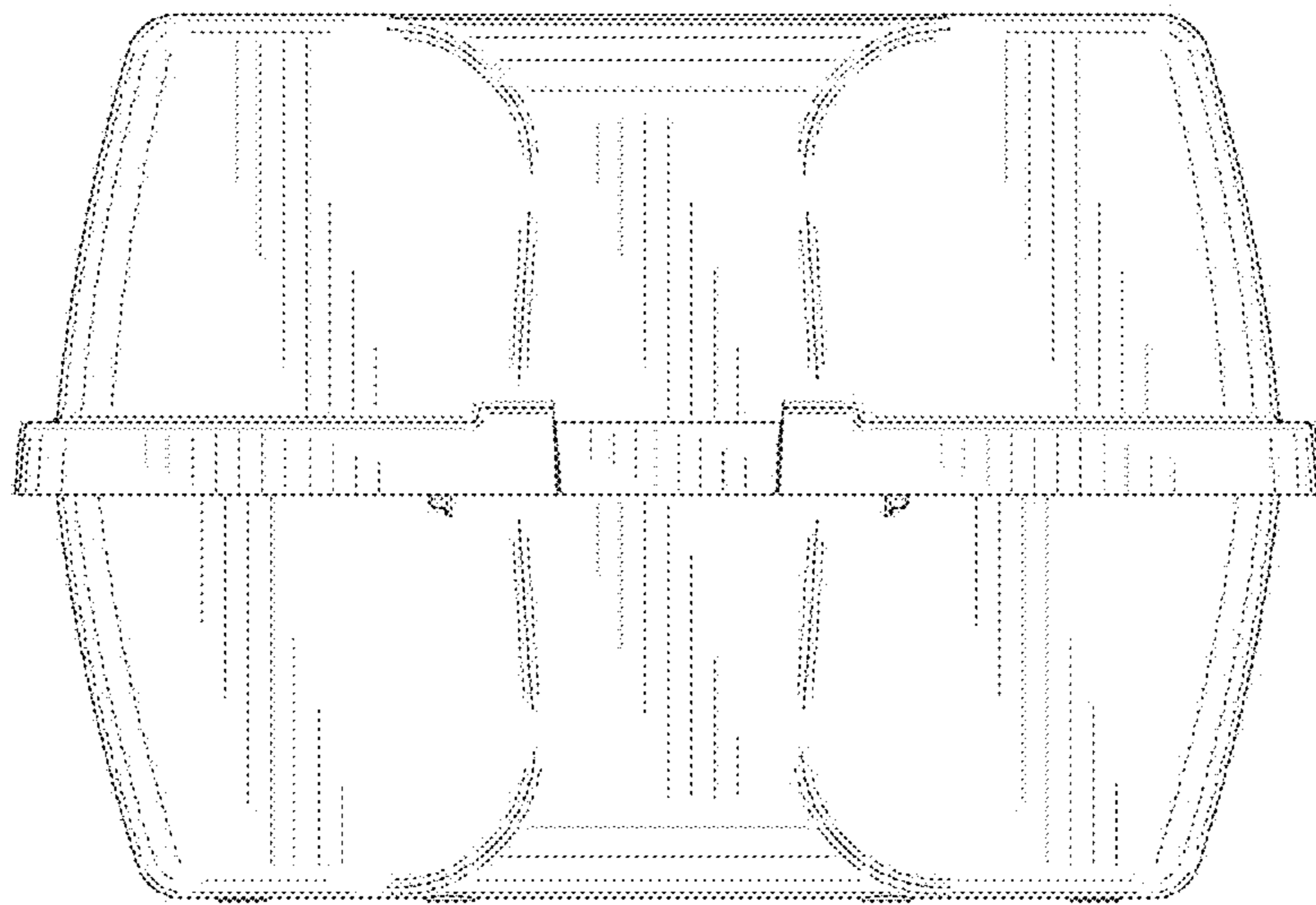


FIG. 3

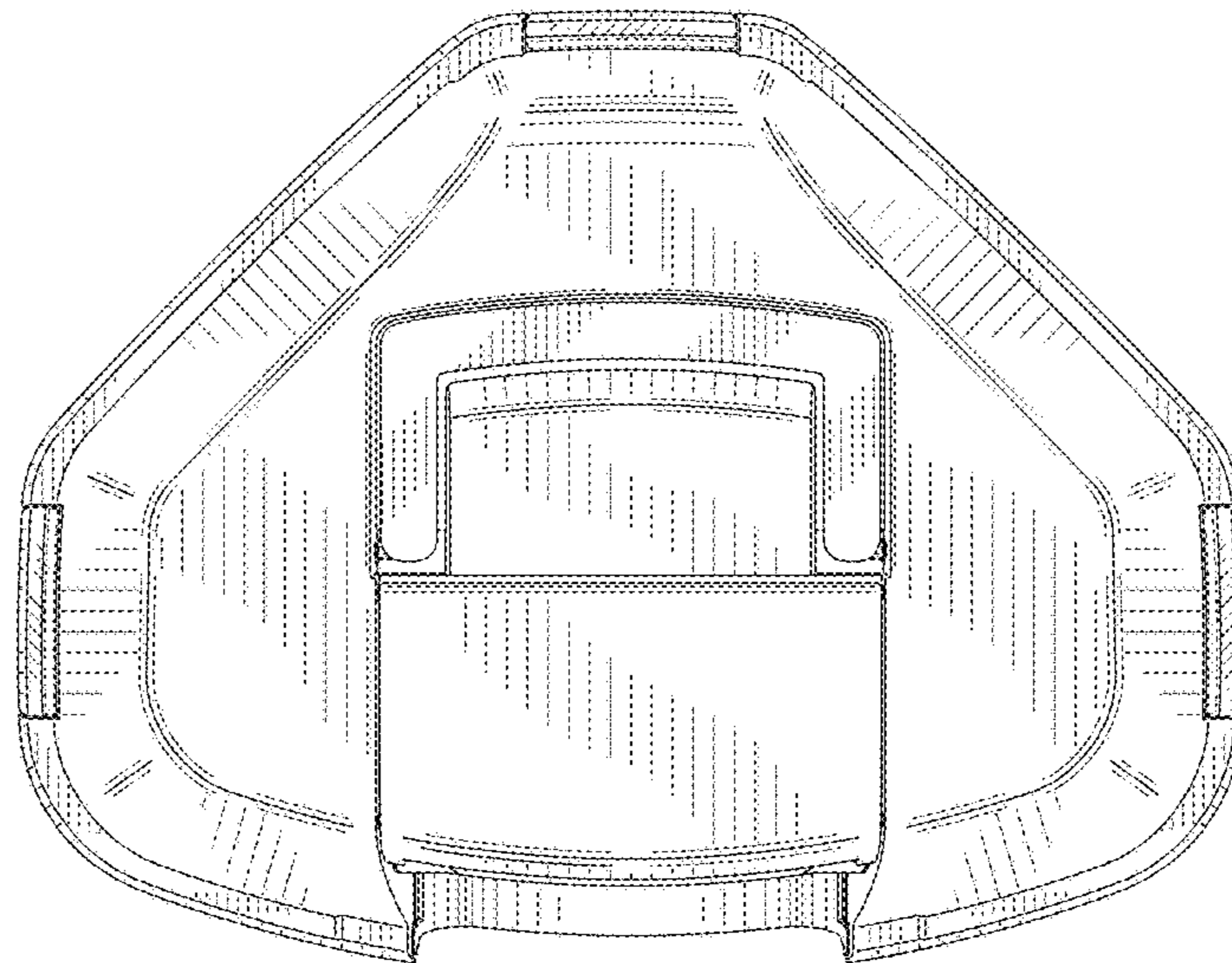


FIG. 4

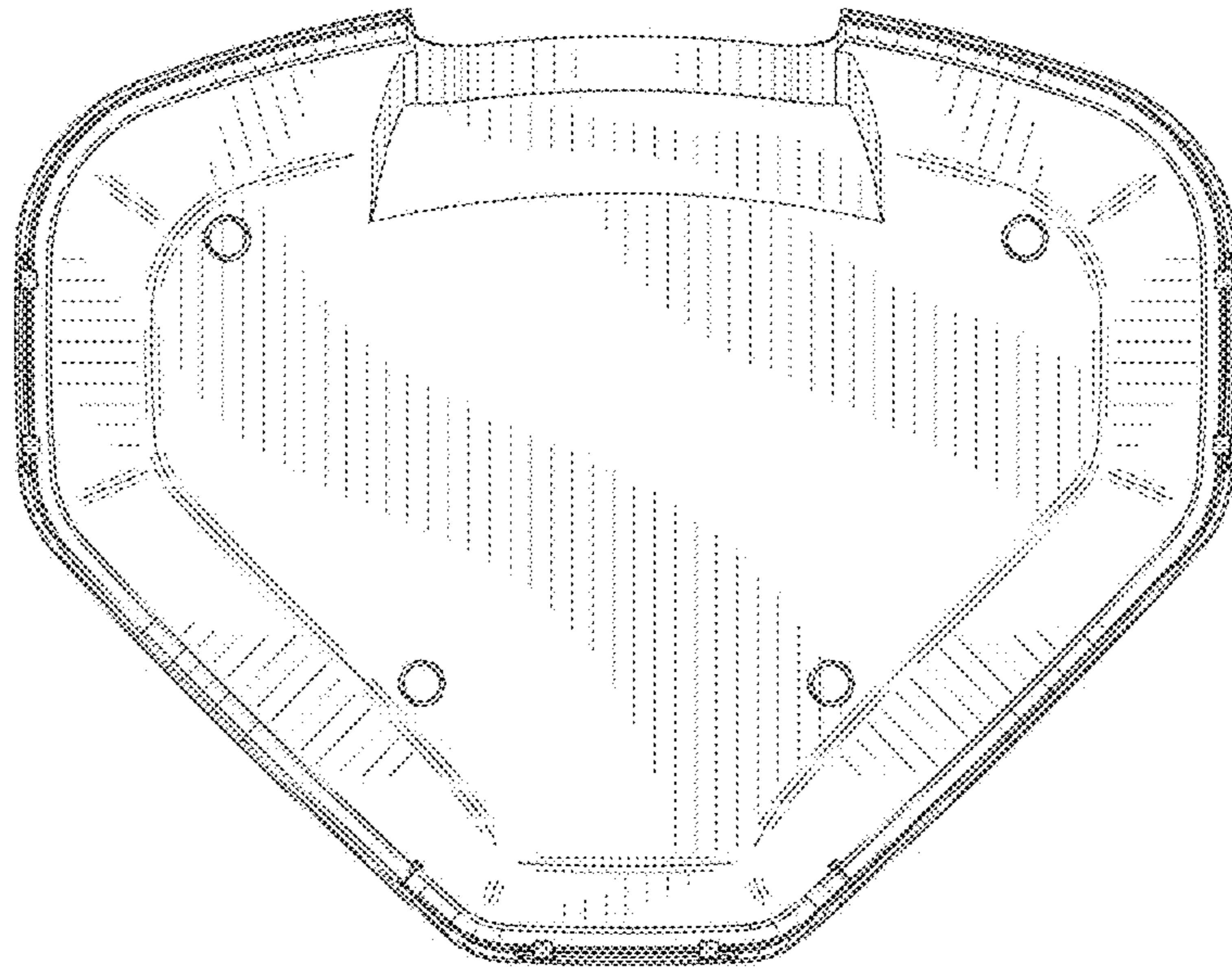


FIG. 5

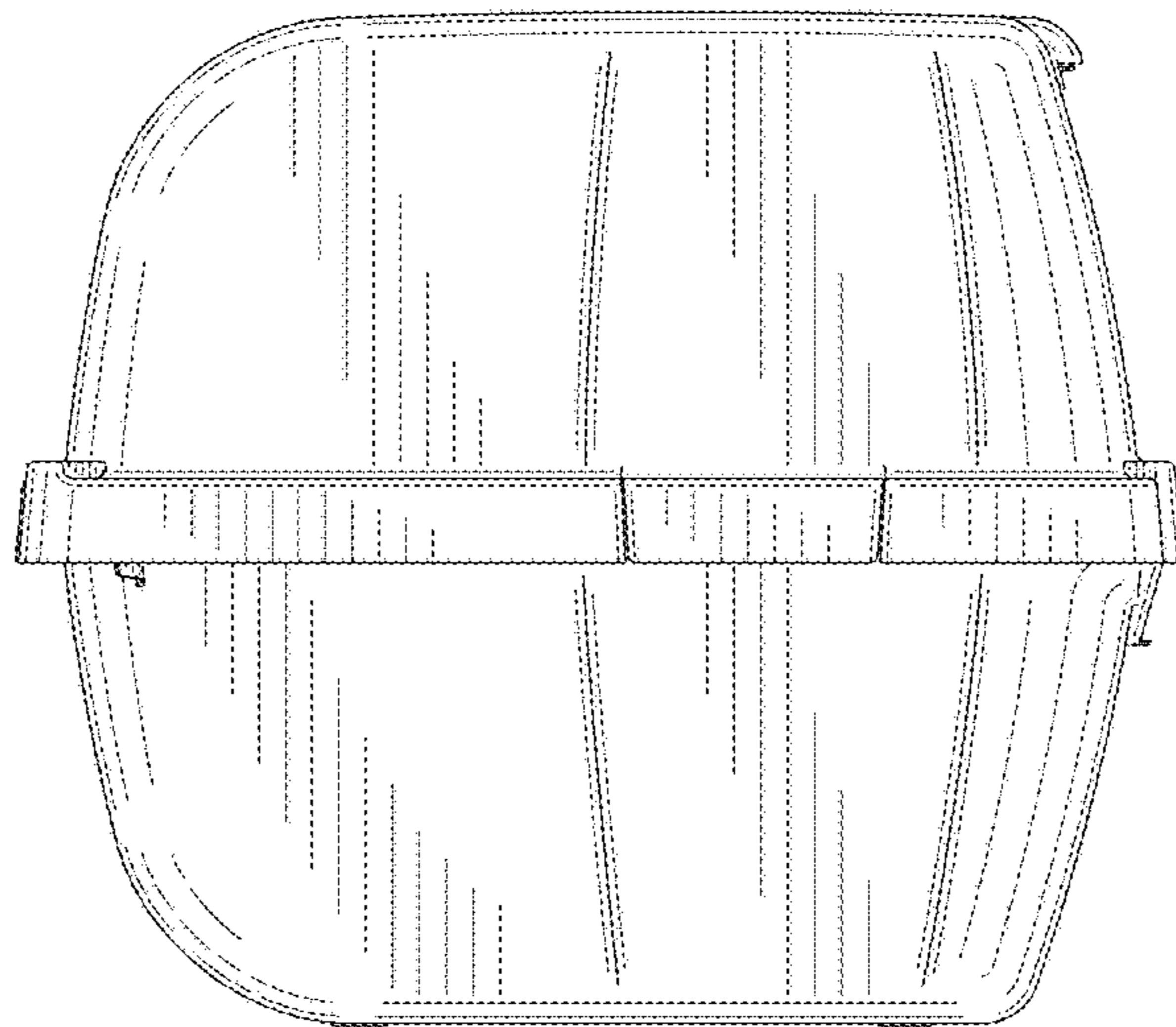


FIG. 6

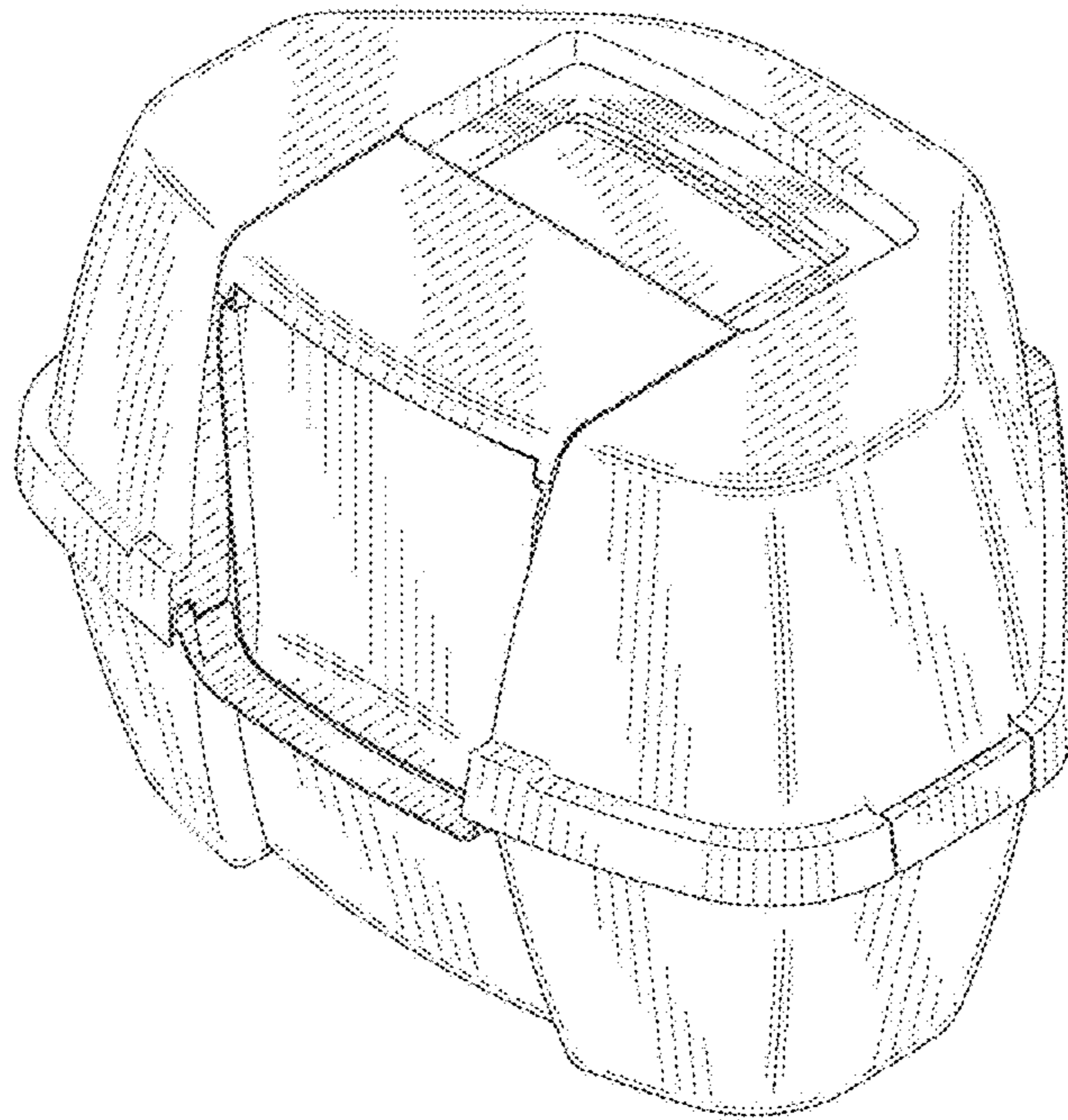


FIG. 7

